



US00D675054S

(12) **United States Design Patent**
Agostini et al.

(10) **Patent No.:** **US D675,054 S**
(45) **Date of Patent:** **** Jan. 29, 2013**

(54) **COFFEE MAKER**

(75) Inventors: **Filippo Agostini**, Castel di Casio (IT);
Stefano Tonelli, Gaggio Montano (IT)

(73) Assignee: **Koninklijke Philips Electronics N.V.**,
Eindhoven (NL)

(**) Term: **14 Years**

(21) Appl. No.: **29/406,010**

(22) Filed: **Nov. 9, 2011**

(30) **Foreign Application Priority Data**

May 9, 2011 (EM) 001860693-0003

(51) **LOC (9) Cl.** **07-01**

(52) **U.S. Cl.** **D7/309; D7/311**

(58) **Field of Classification Search** D7/309-311,
D7/306, 300; 99/323.3, 306, 293, 297, 305,
99/309, 311

See application file for complete search history.

(56) **References Cited**

U.S. PATENT DOCUMENTS

D481,902 S * 11/2003 O'Connor et al. D7/309
D526,524 S * 8/2006 Jordana D7/309

D563,143 S * 3/2008 Tonelli D7/306
D571,598 S * 6/2008 Moore D7/306
D581,716 S * 12/2008 Harris, III D7/307
D587,511 S * 3/2009 Buttler D7/309
D595,991 S * 7/2009 Zimmerman D7/307
D625,134 S * 10/2010 Moore et al. D7/309
D642,415 S * 8/2011 Novelli D7/309
D645,289 S * 9/2011 Lenzi D7/309
D645,695 S * 9/2011 Zoppellari D7/309
D646,109 S * 10/2011 Zoppellari D7/309
D646,518 S * 10/2011 De' Longhi D7/309
D666,451 S * 9/2012 Cheng D7/309

* cited by examiner

Primary Examiner — Marianne Pandozzi

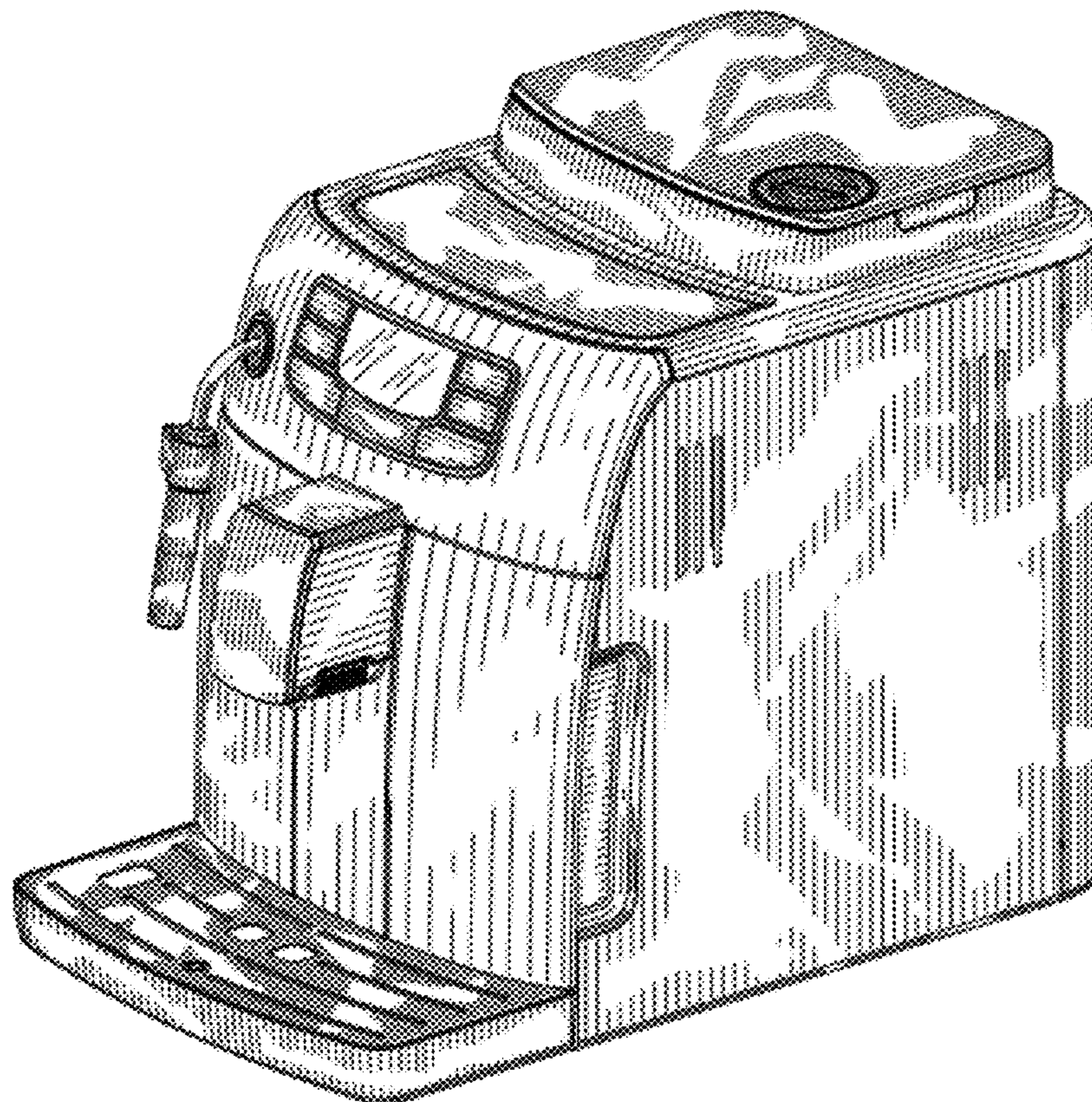
(57) **CLAIM**

The ornamental design for a coffee maker, as shown.

DESCRIPTION

FIG. 1 is a perspective view showing my design;
FIG. 2 is a front elevational view thereof;
FIG. 3 is a rear elevational view thereof;
FIG. 4 is a right side elevational view thereof;
FIG. 5 is a left side elevational view thereof;
FIG. 6 is a top plan view thereof; and,
FIG. 7 is a bottom plan view thereof.
The broken lines in the drawings are included for the purpose
of illustration and form no part of the claimed design.

1 Claim, 5 Drawing Sheets



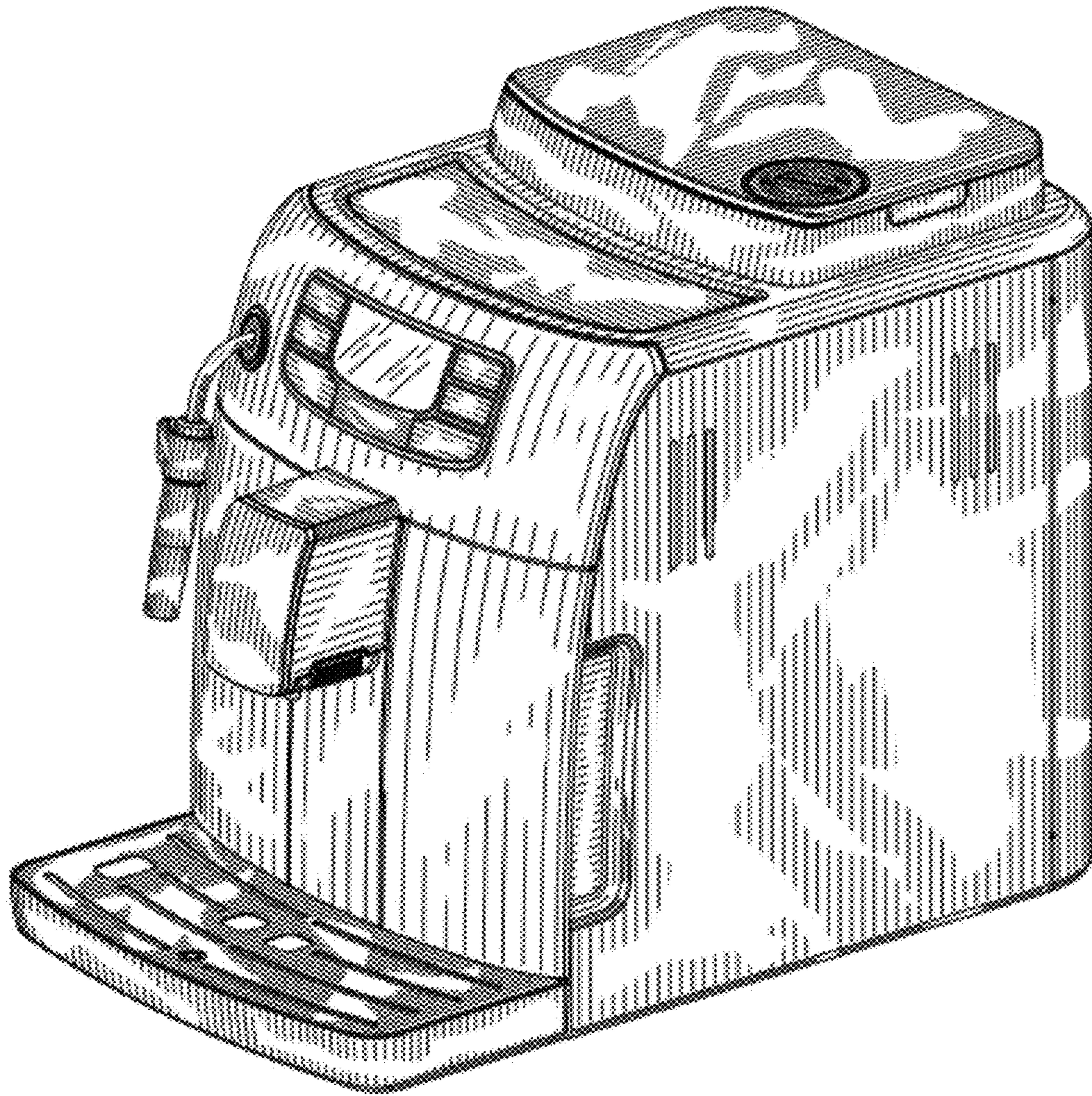


FIG. 1

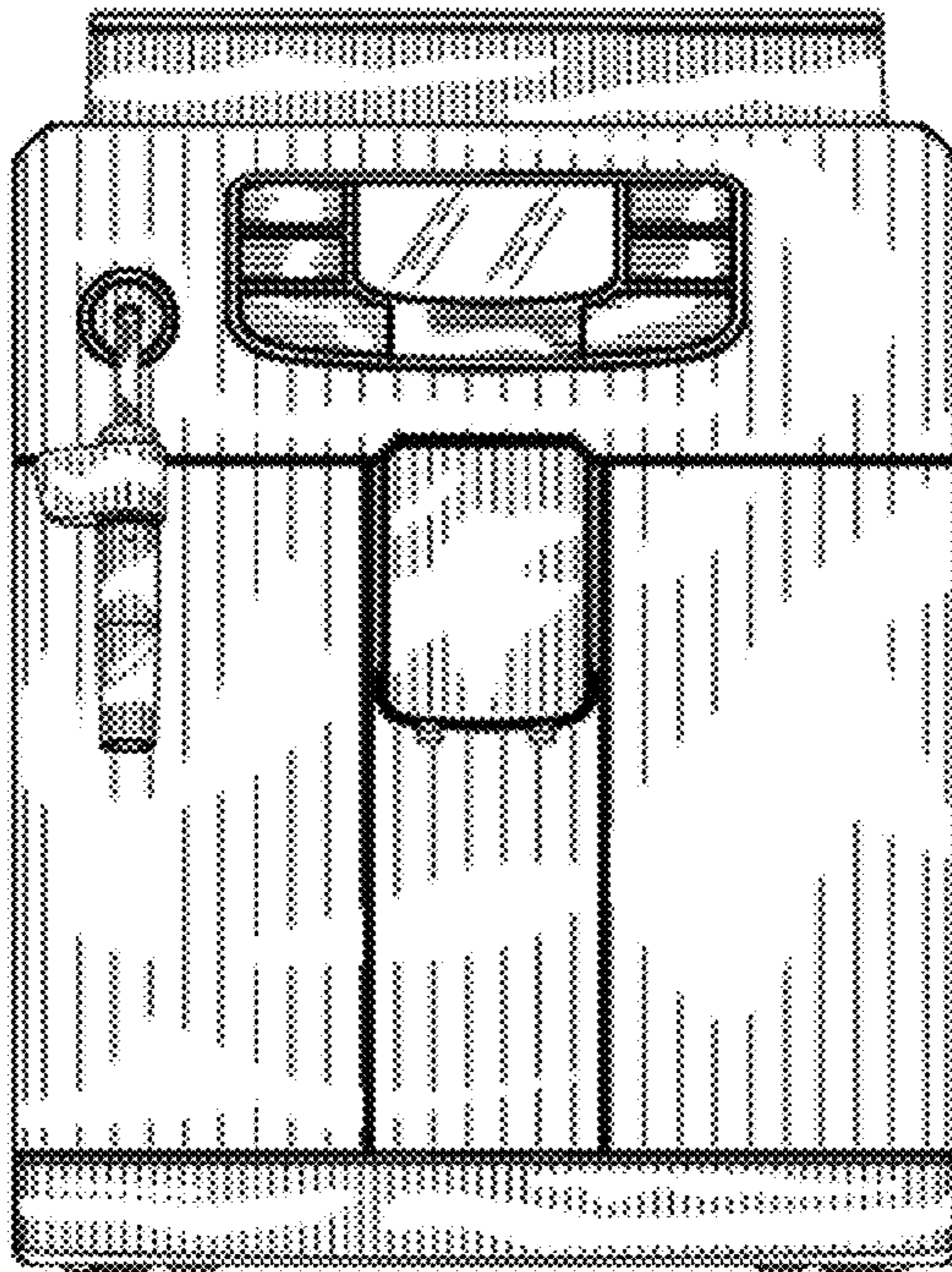


FIG. 2

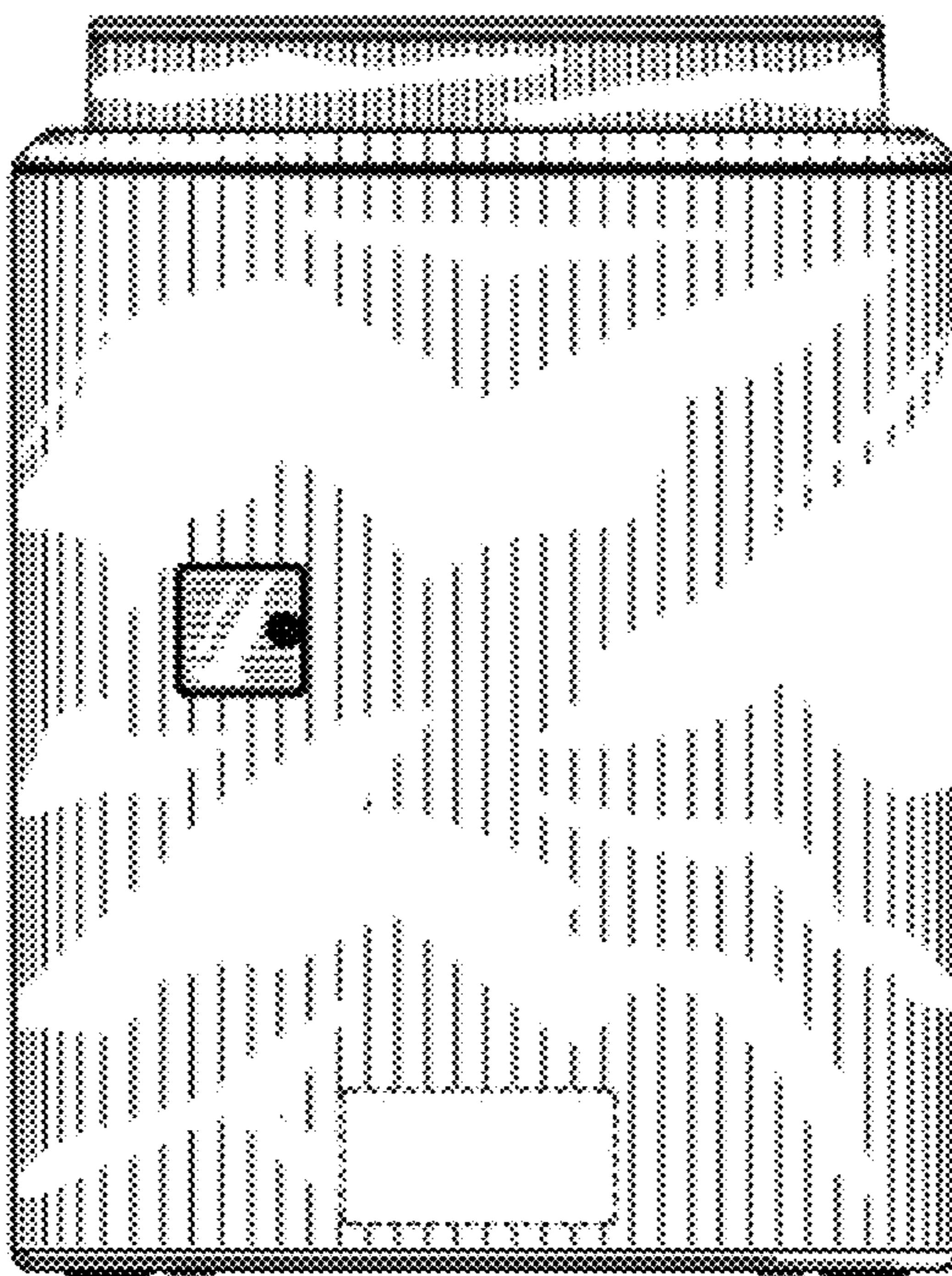


FIG. 3

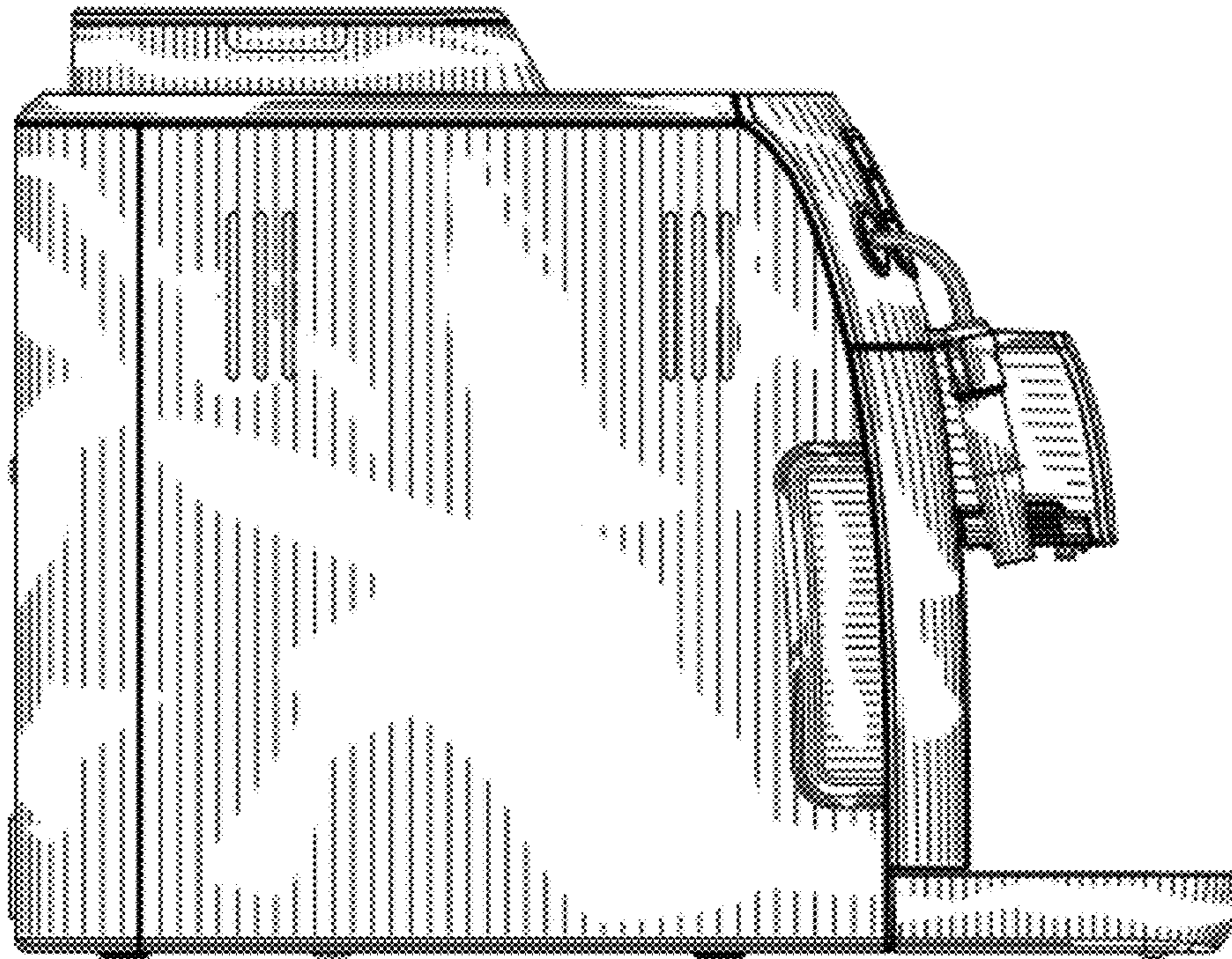


FIG. 4

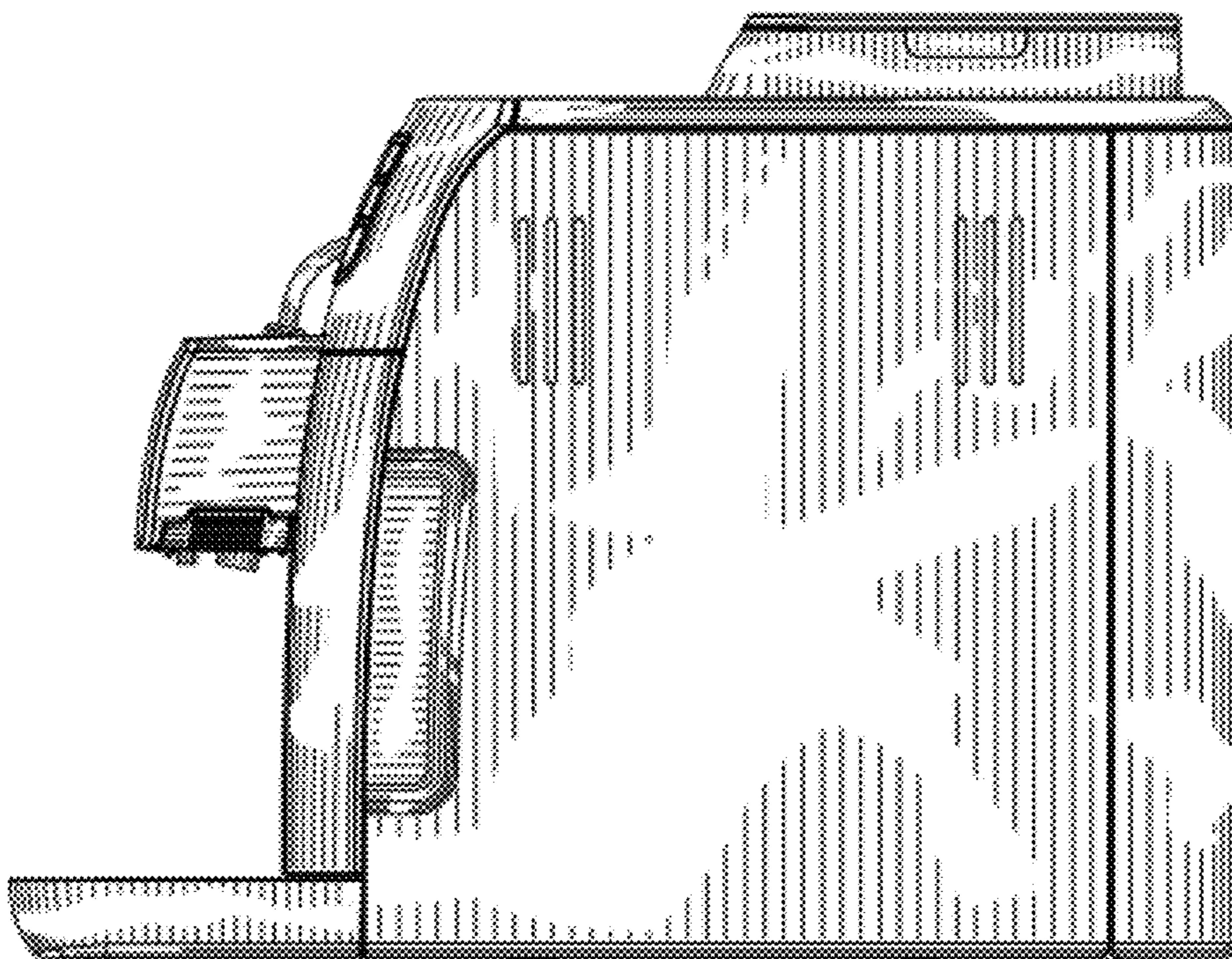


FIG. 5

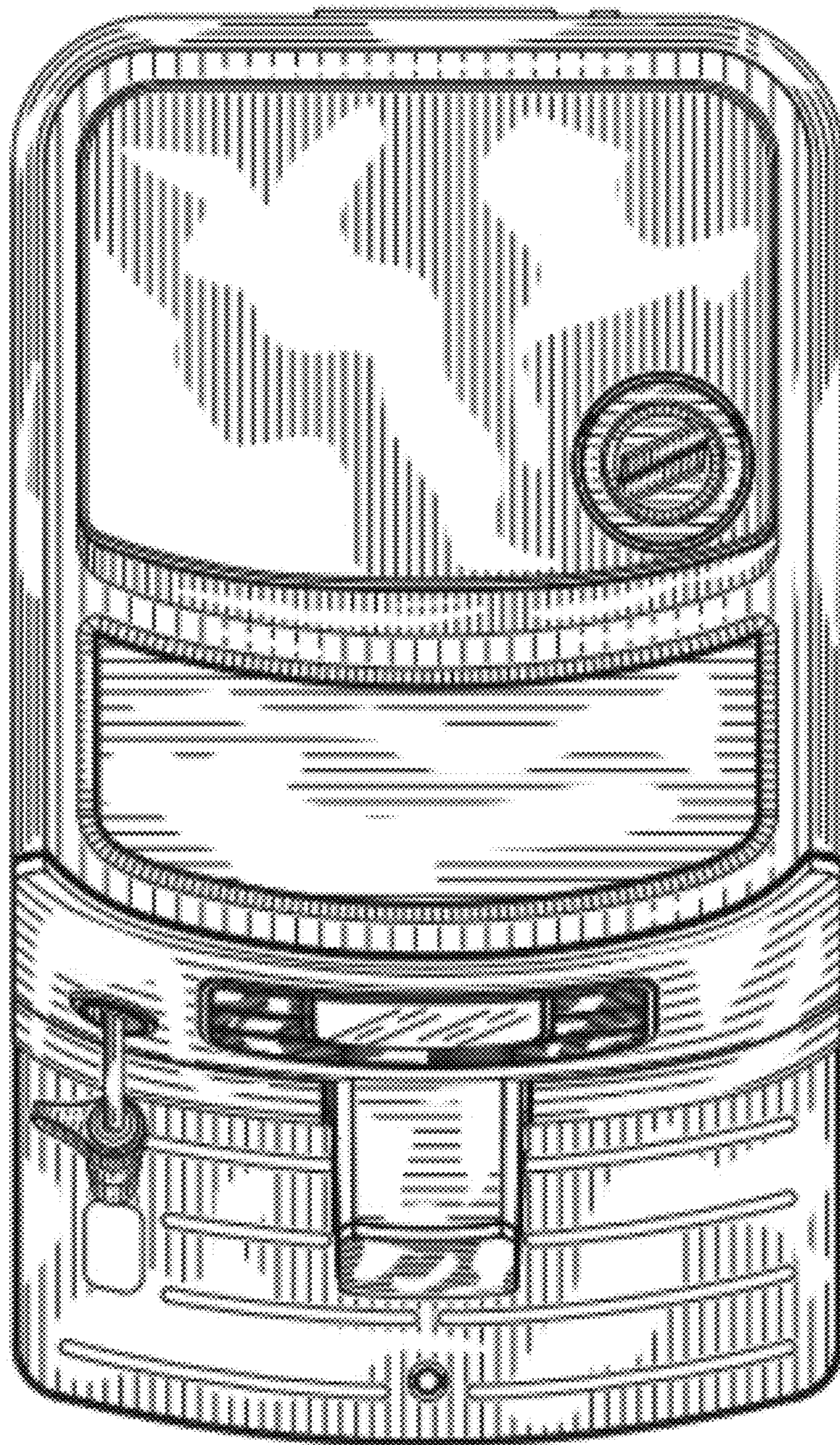


FIG. 6

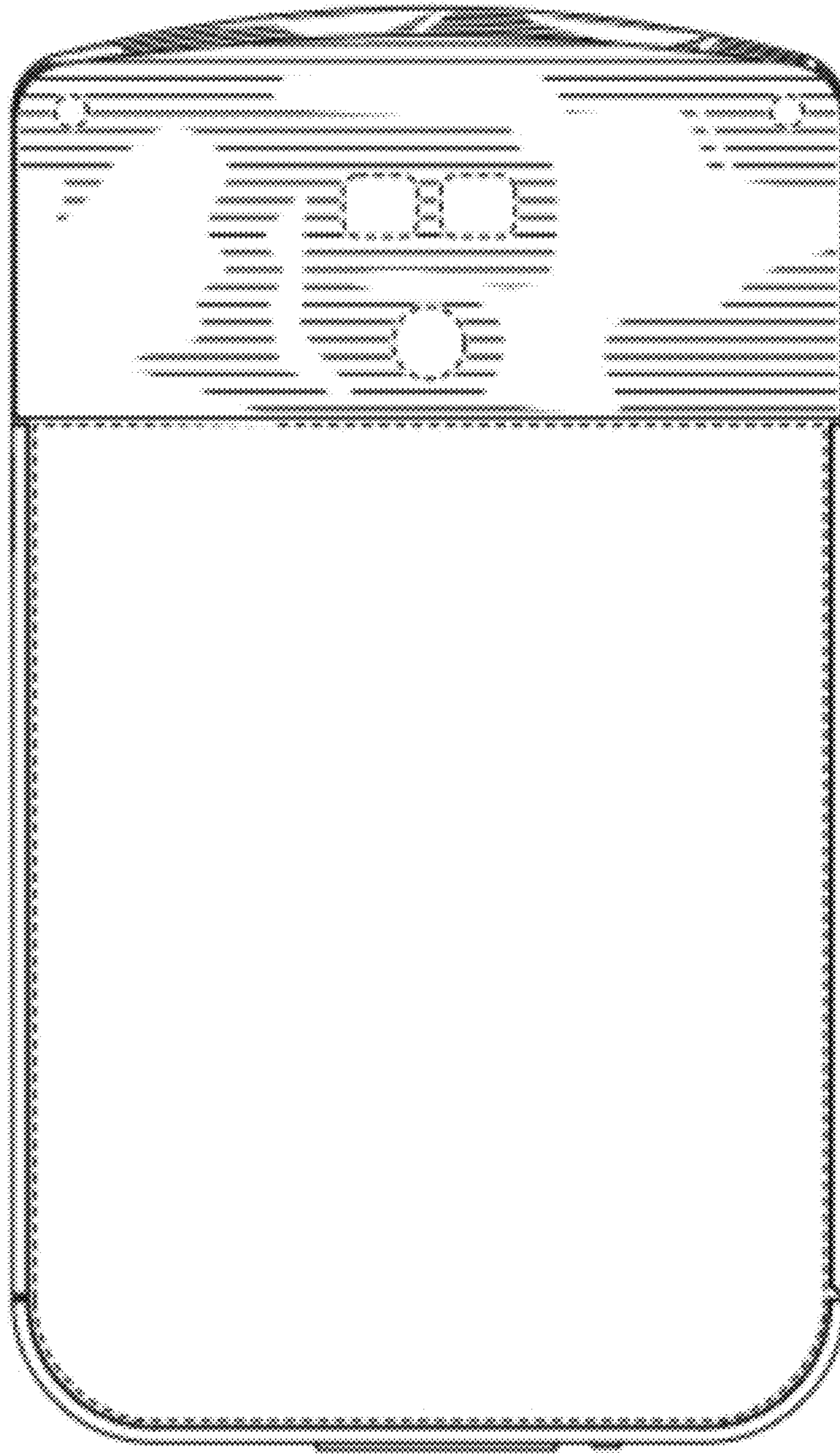


FIG. 7