



US00D675050S

(12) **United States Design Patent**  
**Garcia**

(10) **Patent No.:** **US D675,050 S**  
(45) **Date of Patent:** **\*\* Jan. 29, 2013**

(54) **CORE GUARD**

6,173,825 B1 \* 1/2001 Liu ..... 192/223.4  
6,817,402 B1 \* 11/2004 Fraczek et al. .... 160/323.1  
D596,435 S \* 7/2009 Wills ..... D6/581

(75) Inventor: **Tomás Juan Rama Garcia**, Barcelona  
(ES)

\* cited by examiner

(73) Assignee: **Inpeco, S.A.** (PA)

*Primary Examiner* — Susan Bennett Hattan

*Assistant Examiner* — Barbara B Lohr

(\*\*) Term: **14 Years**

(74) *Attorney, Agent, or Firm* — Malloy & Malloy, P.L.

(21) Appl. No.: **29/412,505**

(57) **CLAIM**

The ornamental design for a core guard, as shown and described.

(22) Filed: **Feb. 3, 2012**

(51) **LOC (9) Cl.** ..... **06-10**

(52) **U.S. Cl.** ..... **D6/581**

(58) **Field of Classification Search** ..... D6/580,  
D6/581; D9/521; 160/321, 323.1; 192/223.4  
See application file for complete search history.

**DESCRIPTION**

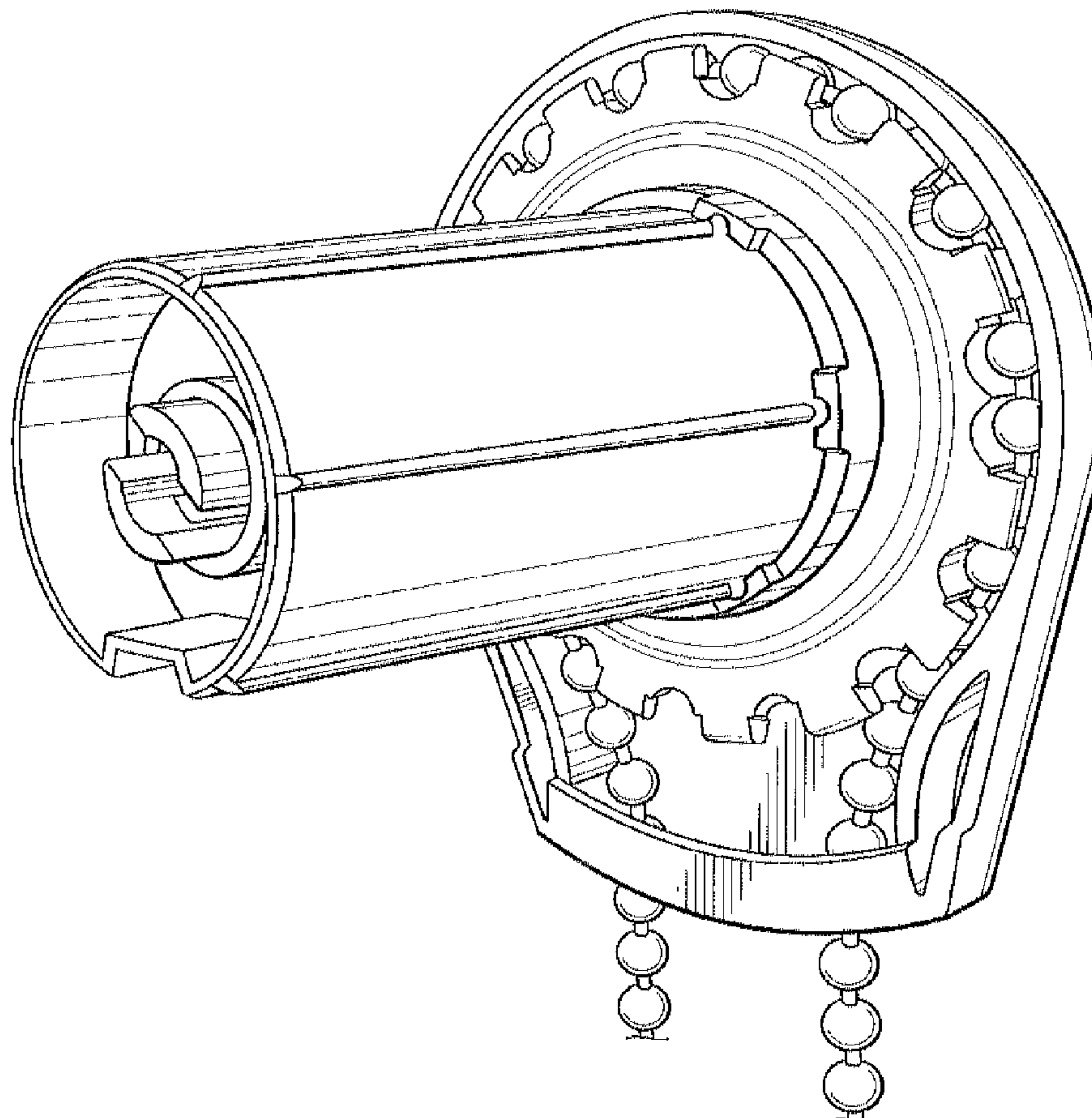
FIG. 1 is a front perspective view illustrating my design for a core guard;  
FIG. 2 is a front plan view thereof;  
FIG. 3 is a right side view thereof;  
FIG. 4 is a top plan view thereof;  
FIG. 5 is a left side view thereof;  
FIG. 6 is a bottom view thereof; and,  
FIG. 7 is a rear view thereof.

(56) **References Cited**

U.S. PATENT DOCUMENTS

D355,604 S \* 2/1995 De Baschmakoff ..... D9/521  
5,975,186 A \* 11/1999 Day ..... 160/321  
D429,588 S \* 8/2000 Smederod ..... D6/580

**1 Claim, 6 Drawing Sheets**



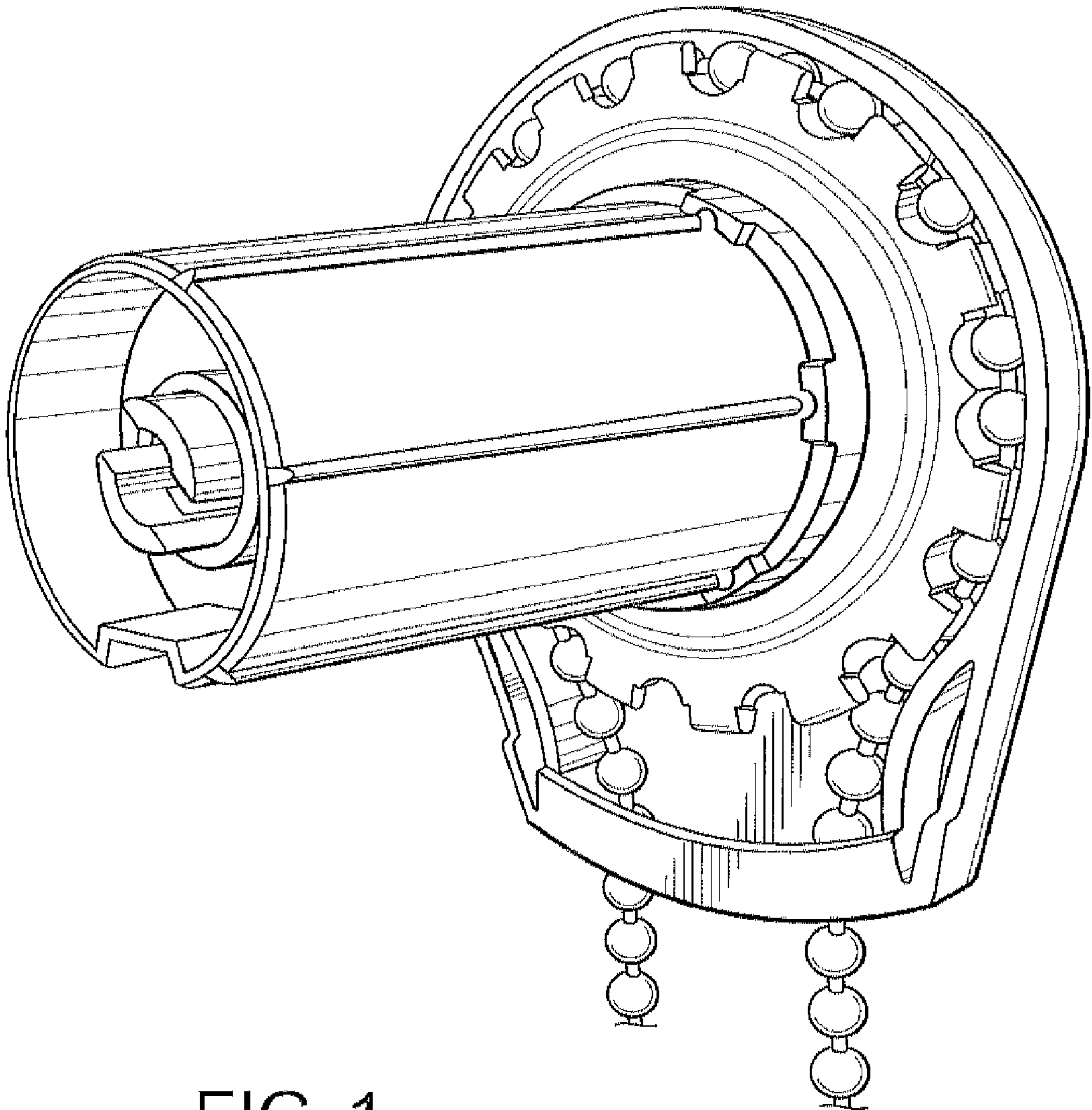


FIG. 1

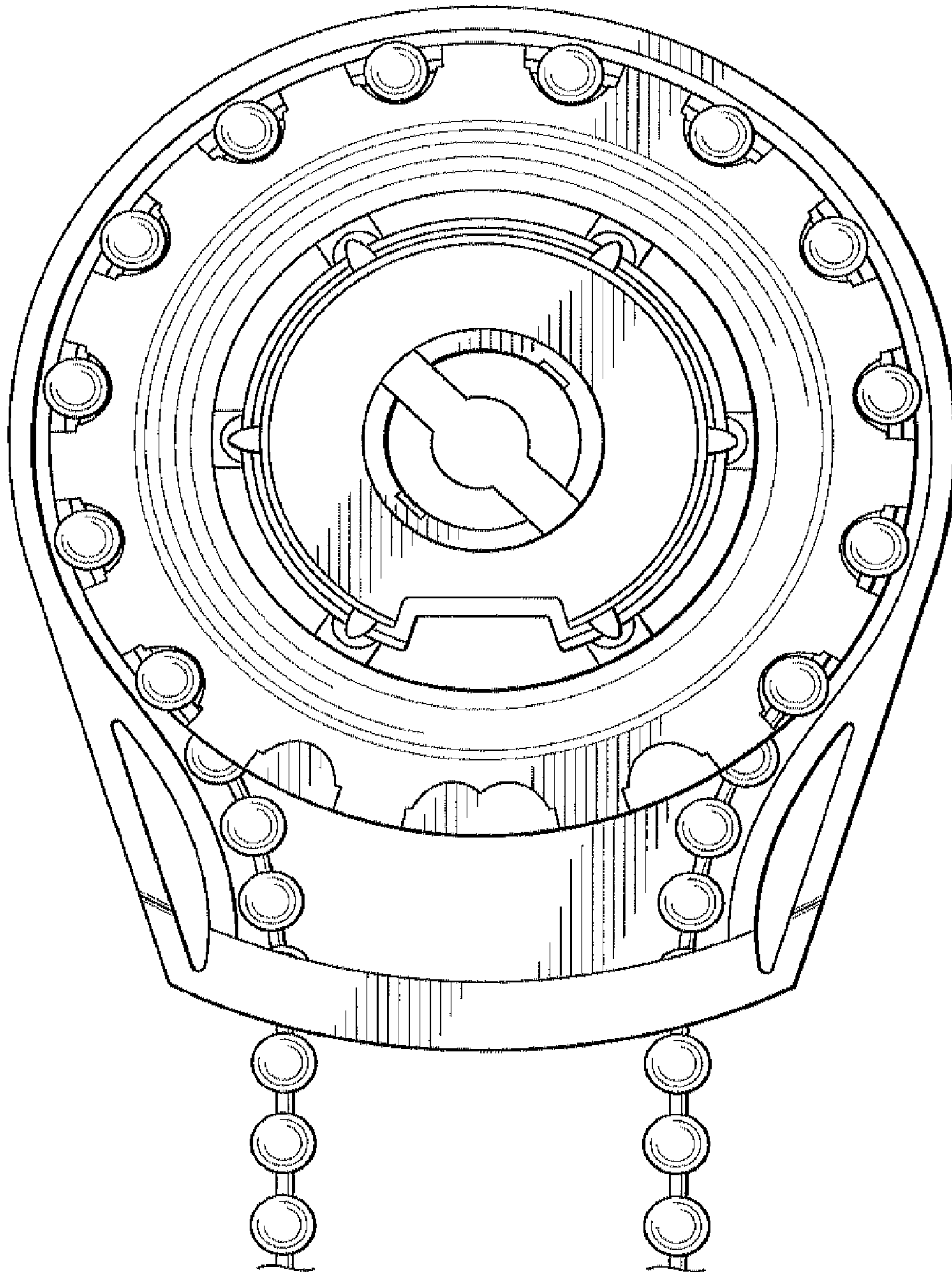


FIG. 2

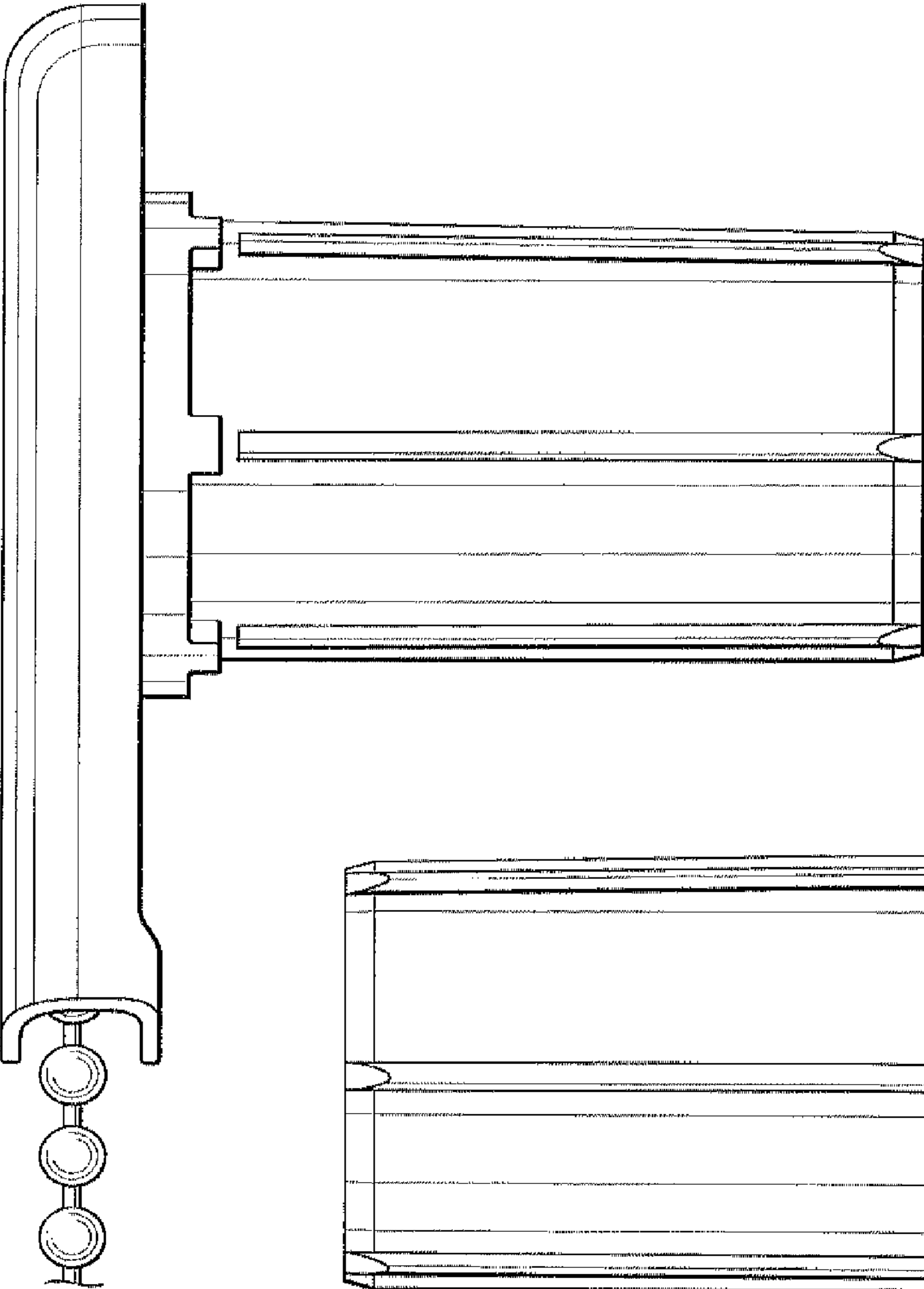


FIG. 3

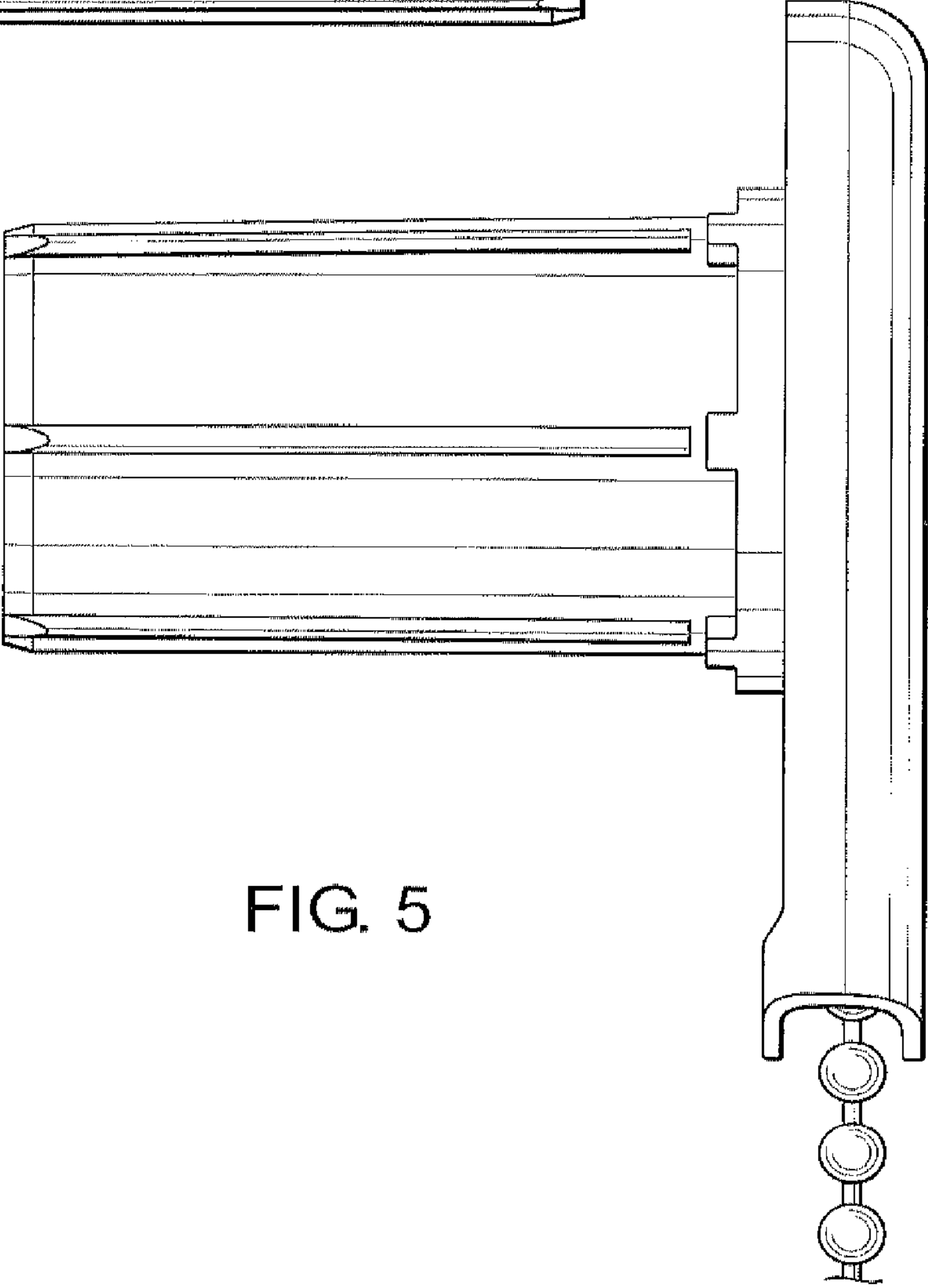


FIG. 5

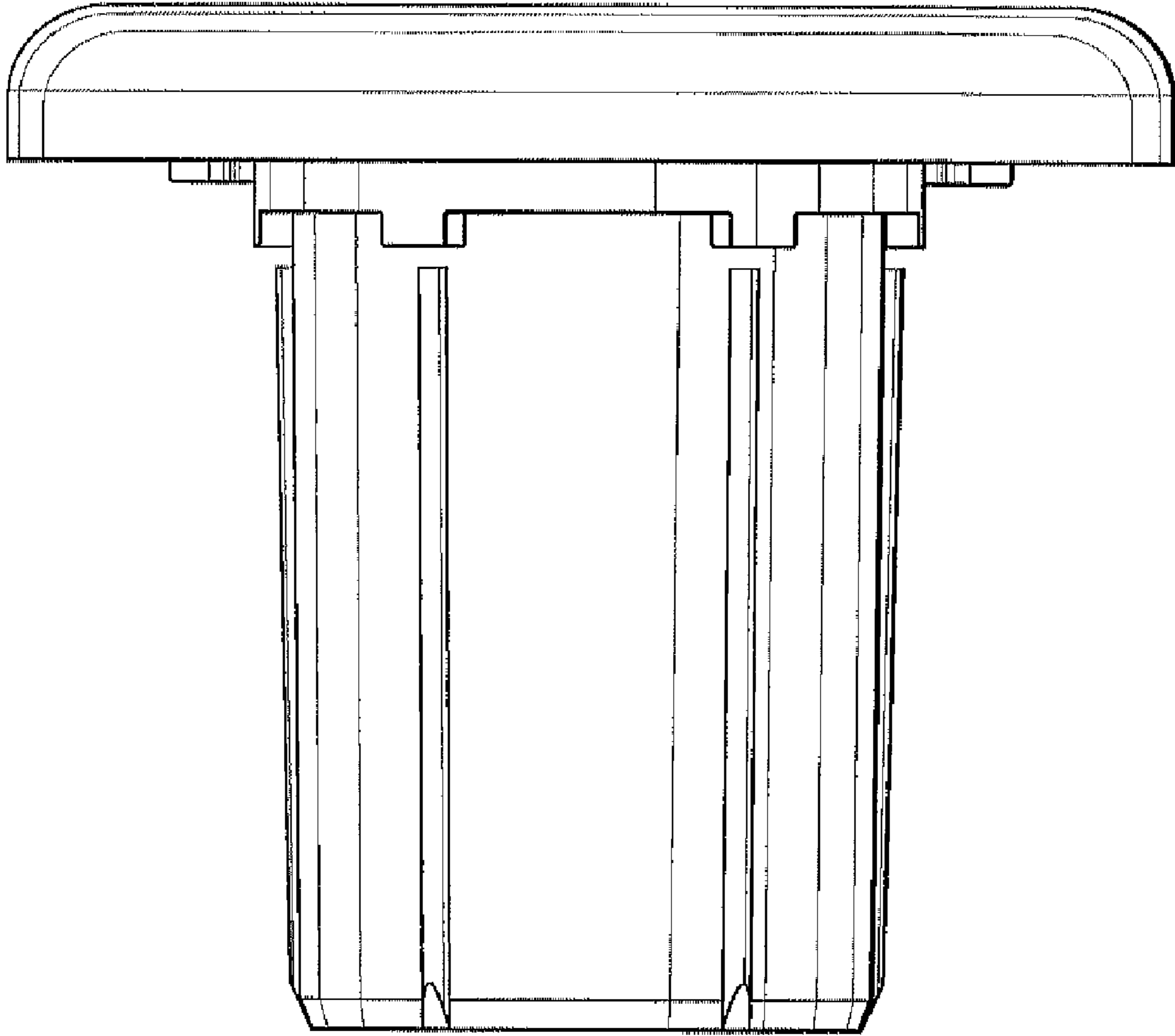


FIG. 4

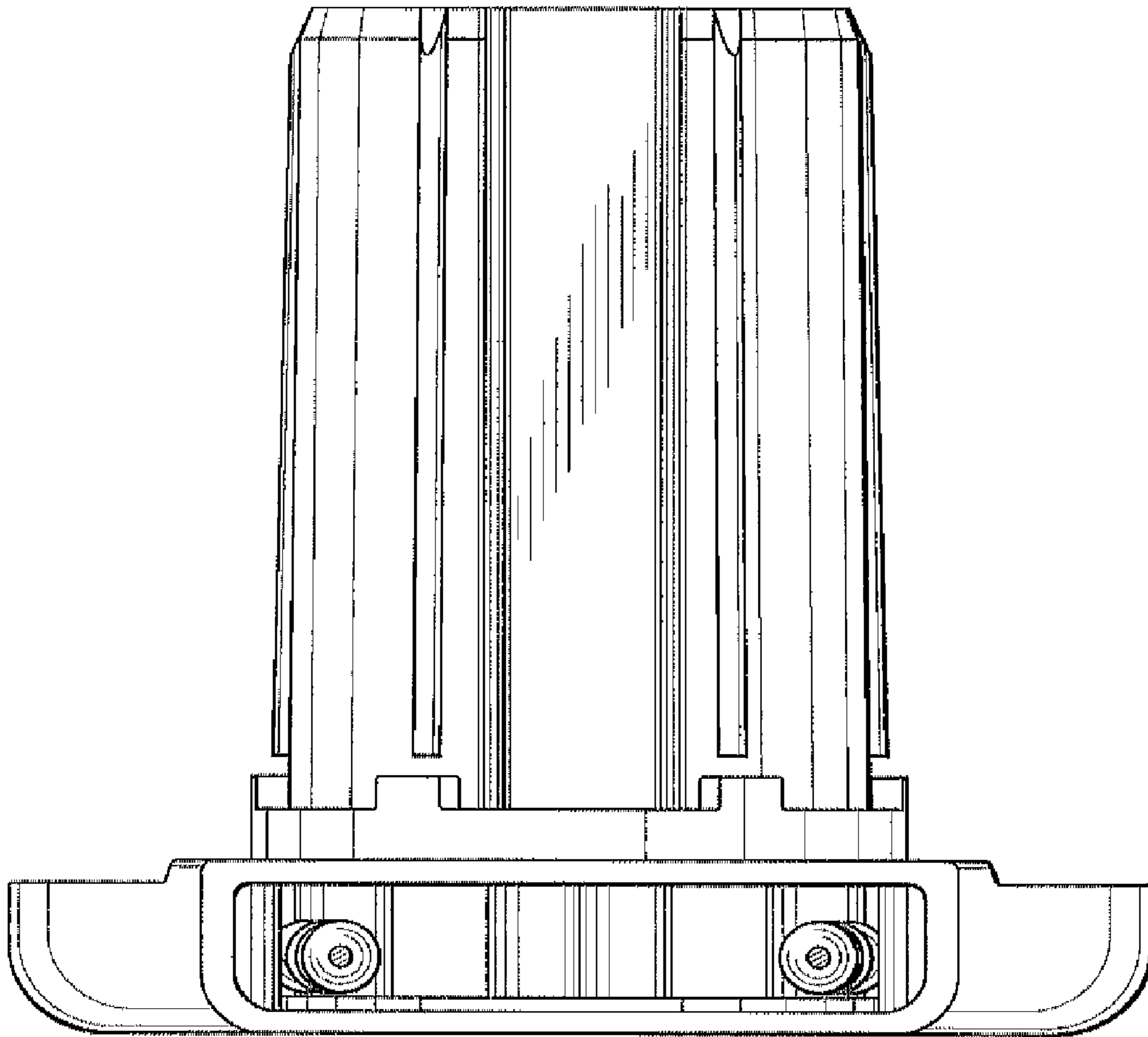


FIG. 6

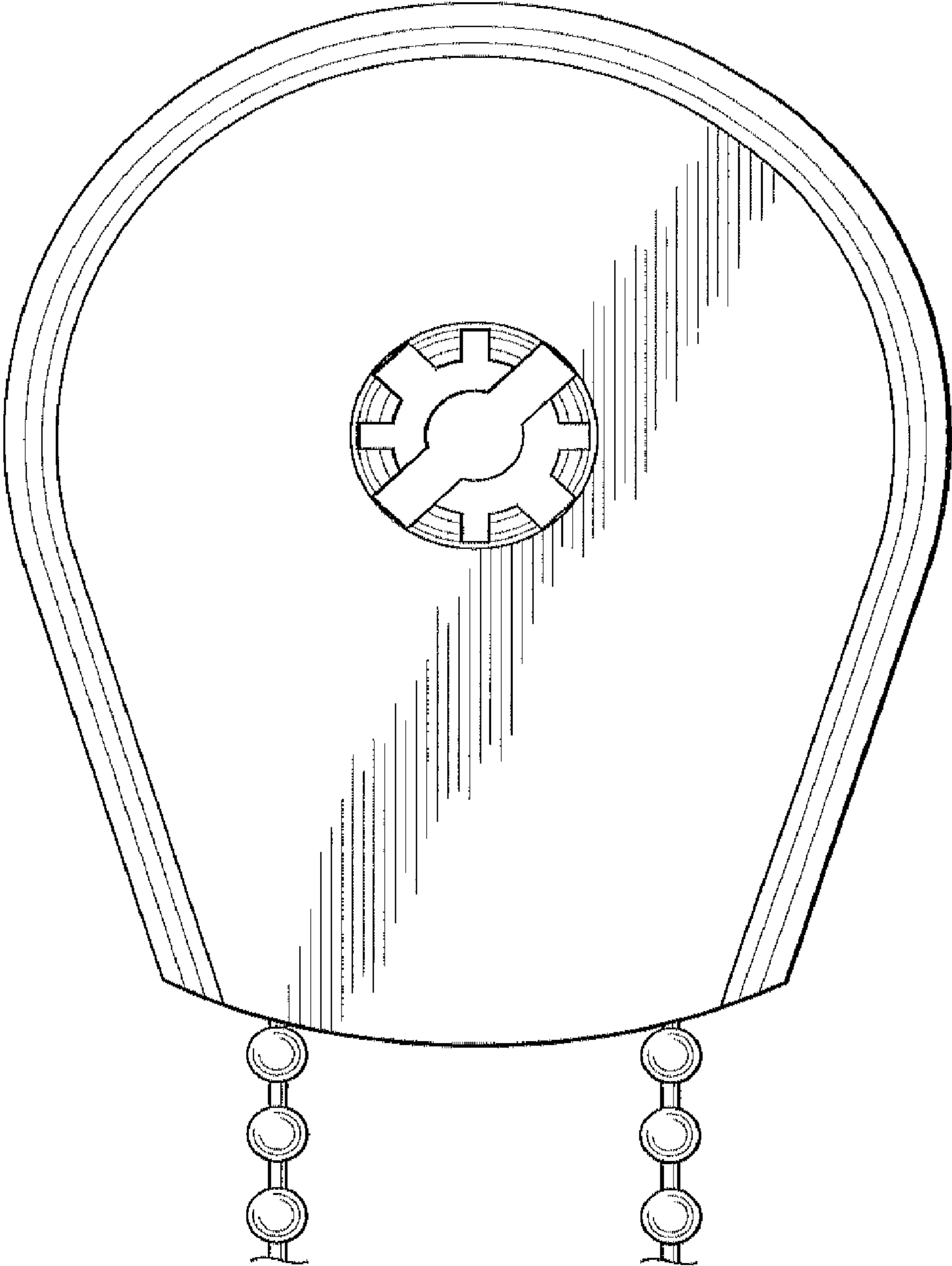


FIG. 7