



US00D675049S

(12) **United States Design Patent**
Goodman et al.

(10) **Patent No.:** **US D675,049 S**
(45) **Date of Patent:** **** Jan. 29, 2013**

(54) **SHORT TWIST OVER THE CABINET BASKET**

(75) Inventors: **Sheldon H. Goodman**, Solon, OH (US);
Phaysouk Xayoiphonh, Akron, OH (US); **Grace Lee**, Mayfield, OH (US)

(73) Assignee: **Spectrum Diversified Designs, Inc.**,
Streetsboro, OH (US)

(**) Term: **14 Years**

(21) Appl. No.: **29/424,104**

(22) Filed: **Jun. 7, 2012**

(51) **LOC (9) Cl.** **06-04**

(52) **U.S. Cl.** **D6/566; D6/513**

(58) **Field of Classification Search** D6/512-514,
D6/553, 566, 567, 569, 315, 320, 327; D8/349,
D8/354, 367, 372; 248/301-304, 309.1,
248/309.2; 211/13.1, 30, 32, 70.6, 56.01,
211/87.01, 181.1; D25/38; D26/51
See application file for complete search history.

(56) **References Cited**

U.S. PATENT DOCUMENTS

D339,942 S * 10/1993 Emalfarb et al. D6/513
D584,091 S * 1/2009 Goodman et al. D6/566

D588,814 S * 3/2009 Ghiorghie D3/304
D617,126 S * 6/2010 Snider D6/513
D645,685 S * 9/2011 Goodman et al. D6/566
D650,209 S * 12/2011 Snider D6/513
D666,855 S * 9/2012 Goodman et al. D6/566
D667,246 S * 9/2012 Cittadino et al. D6/525

* cited by examiner

Primary Examiner — Brian N Vinson

(74) *Attorney, Agent, or Firm* — Pearne & Gordon LLP

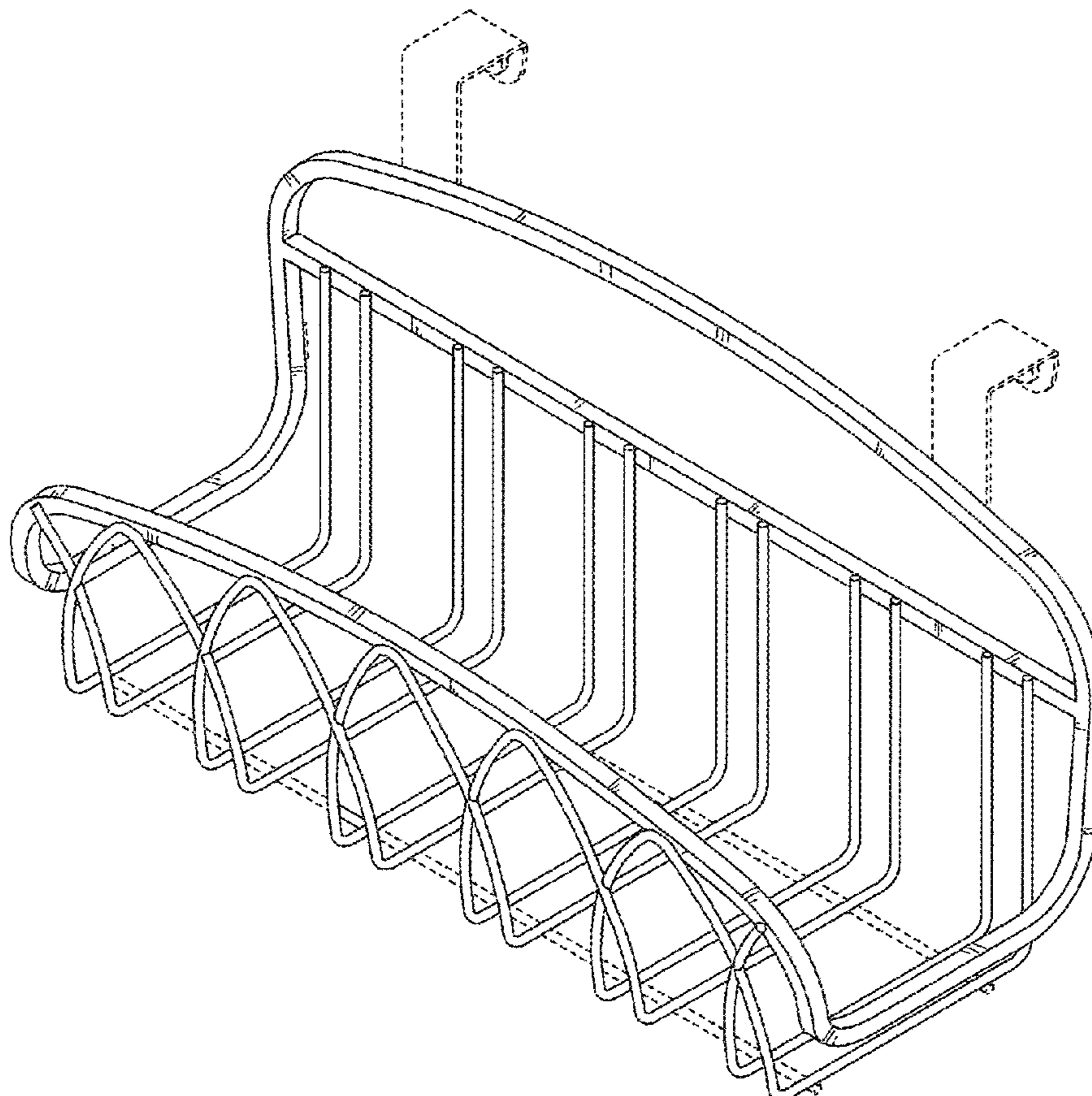
(57) **CLAIM**

The ornamental design for a short twist over the cabinet basket, as shown and described.

DESCRIPTION

FIG. 1 is a perspective view of a short twist over the cabinet basket showing our new design;
FIG. 2 is a front elevational view thereof;
FIG. 3 is a right side elevational view thereof, the left side view being a mirror image thereof;
FIG. 4 is a back elevational view thereof;
FIG. 5 is a bottom plan view thereof; and,
FIG. 6 is a top plan view thereof.
The broken-line disclosure in the view is understood to represent portions of the article in which the claimed design is embodied, but which form no part of the claimed design.

1 Claim, 3 Drawing Sheets



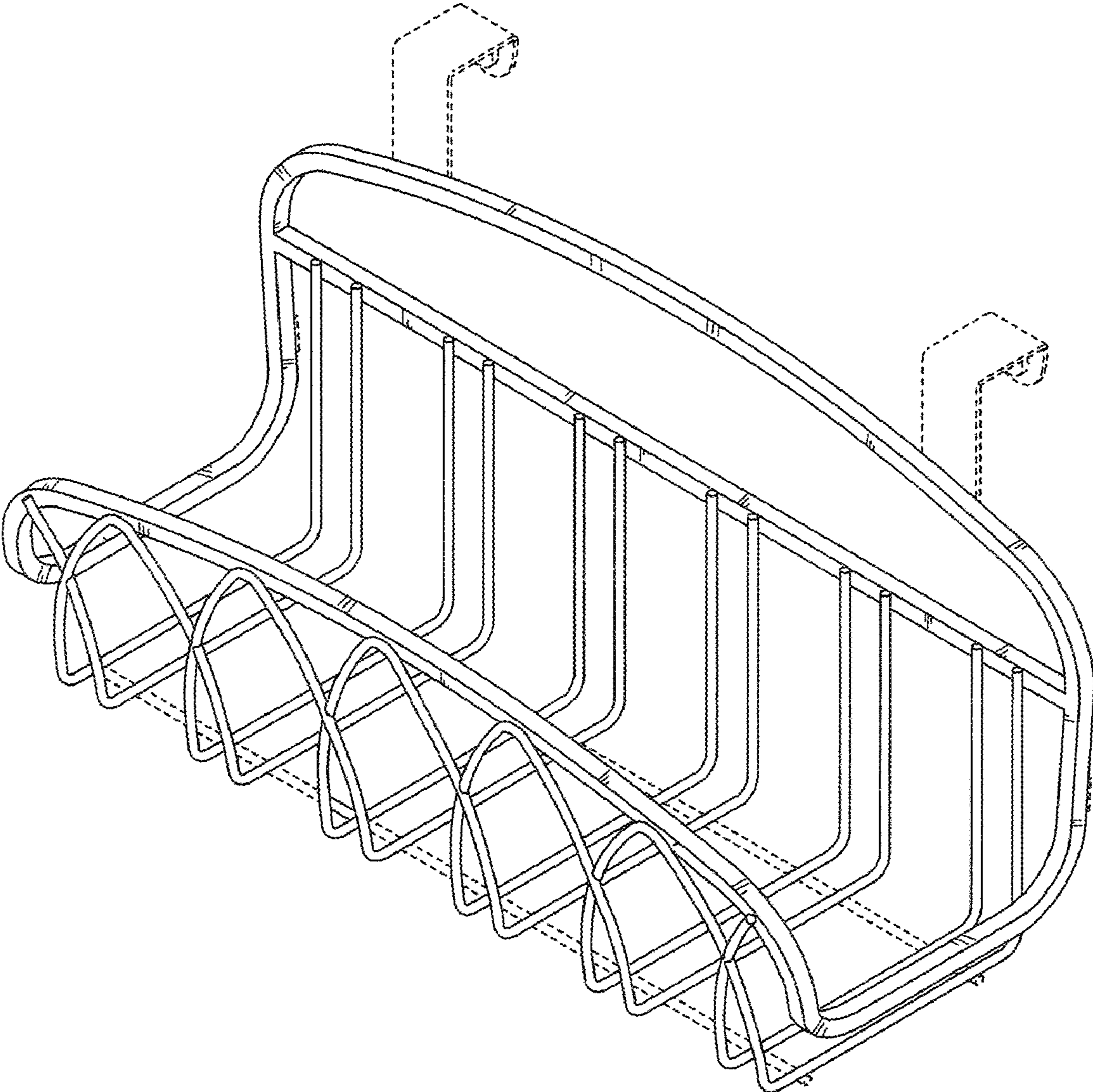


FIG 1

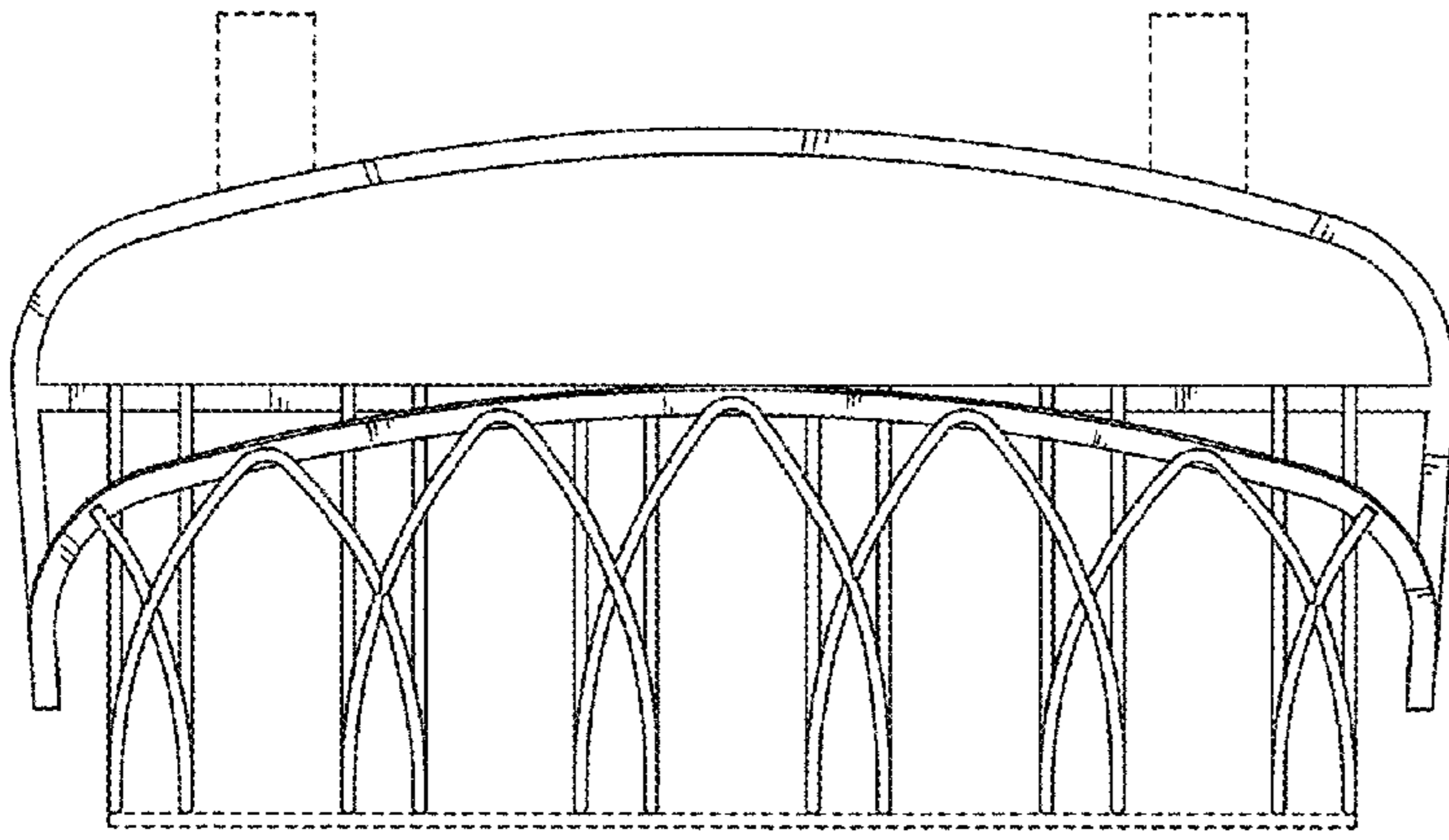


FIG 2

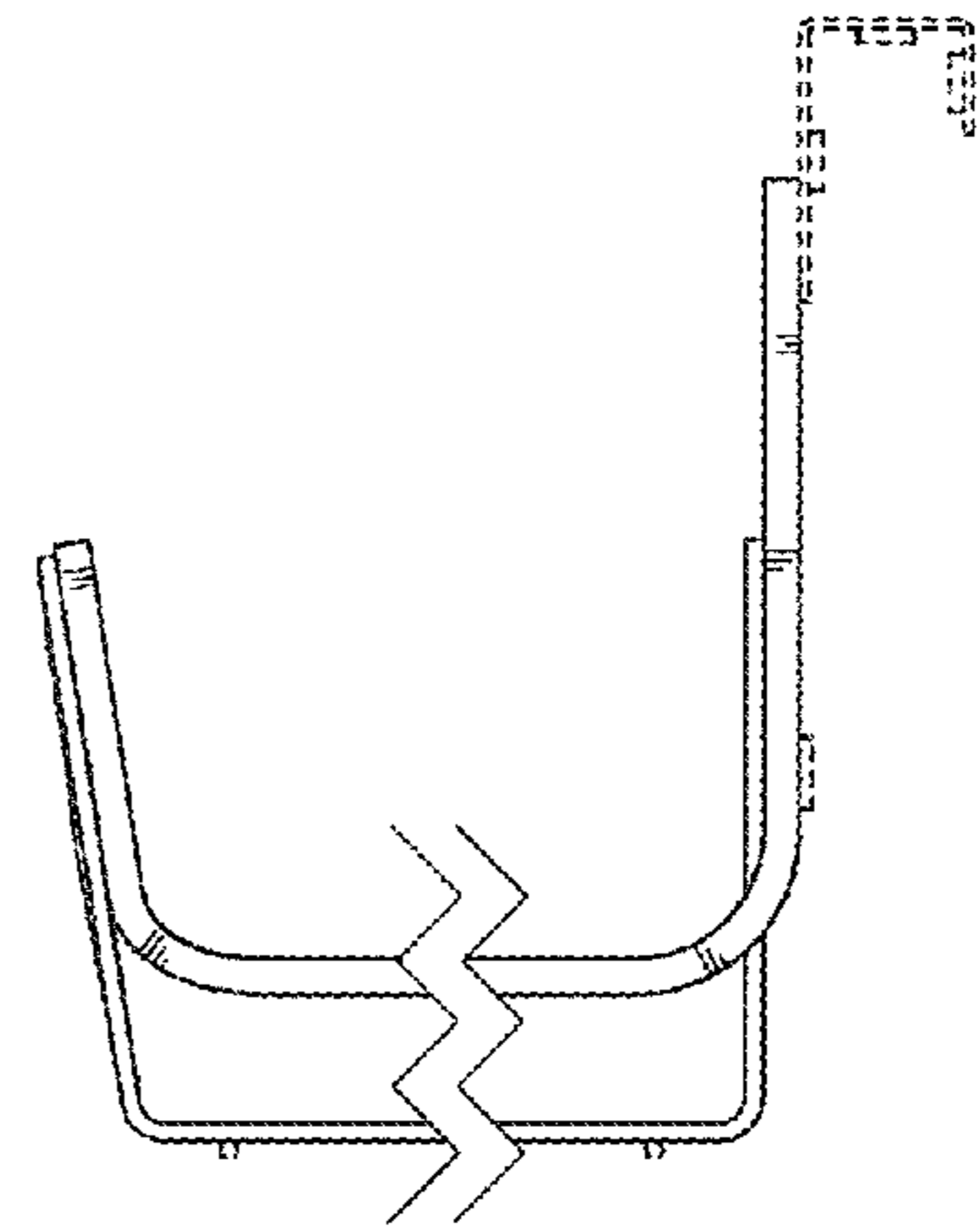


FIG 3

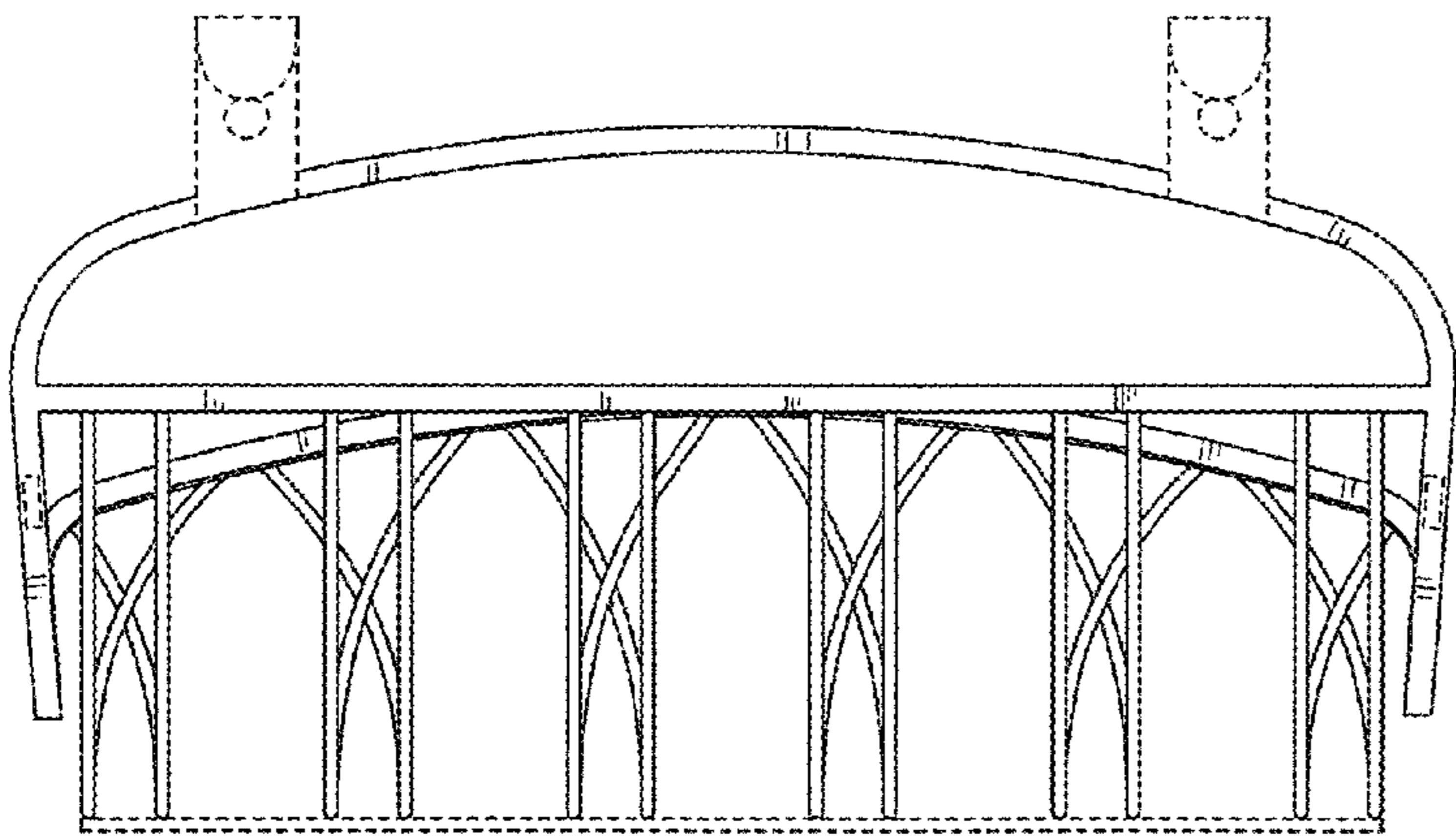


FIG 4

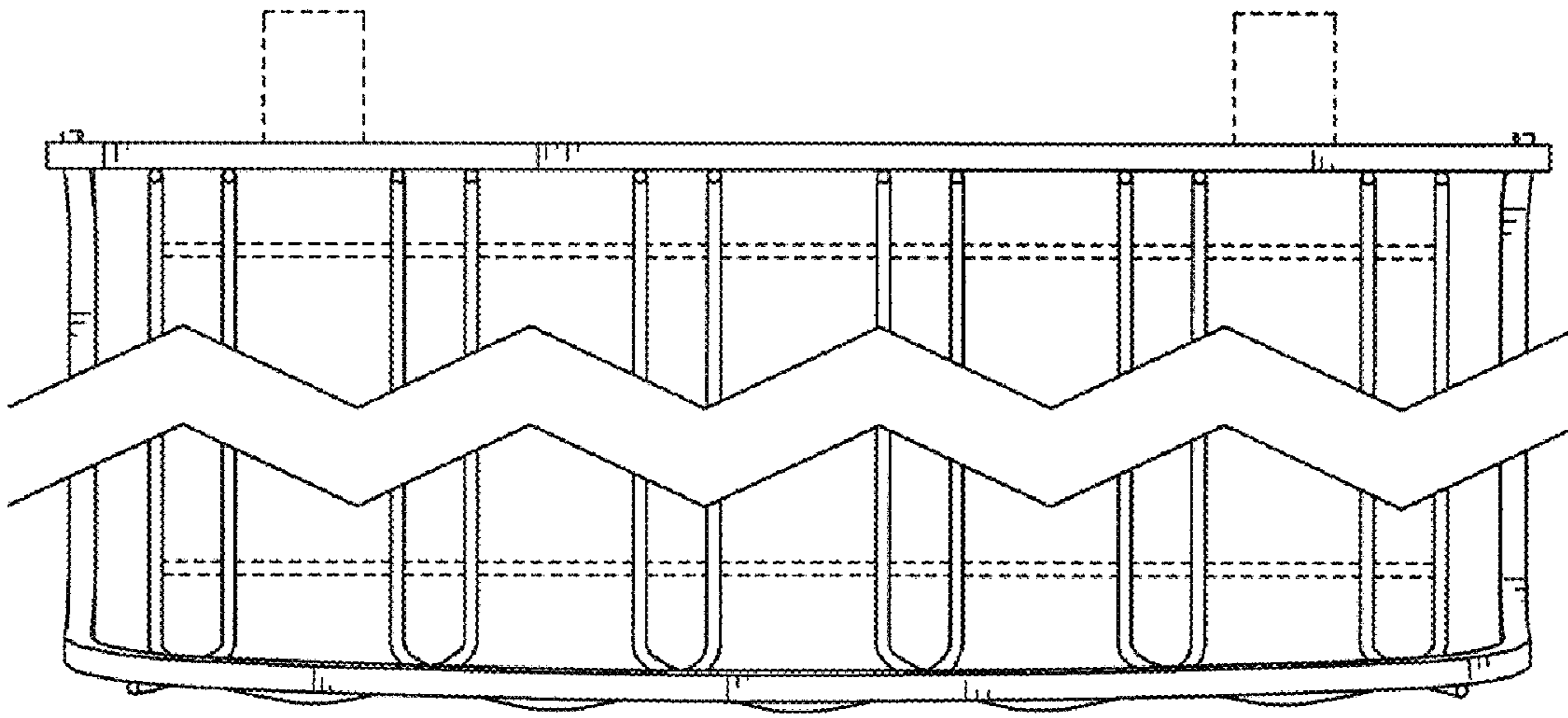


FIG 5

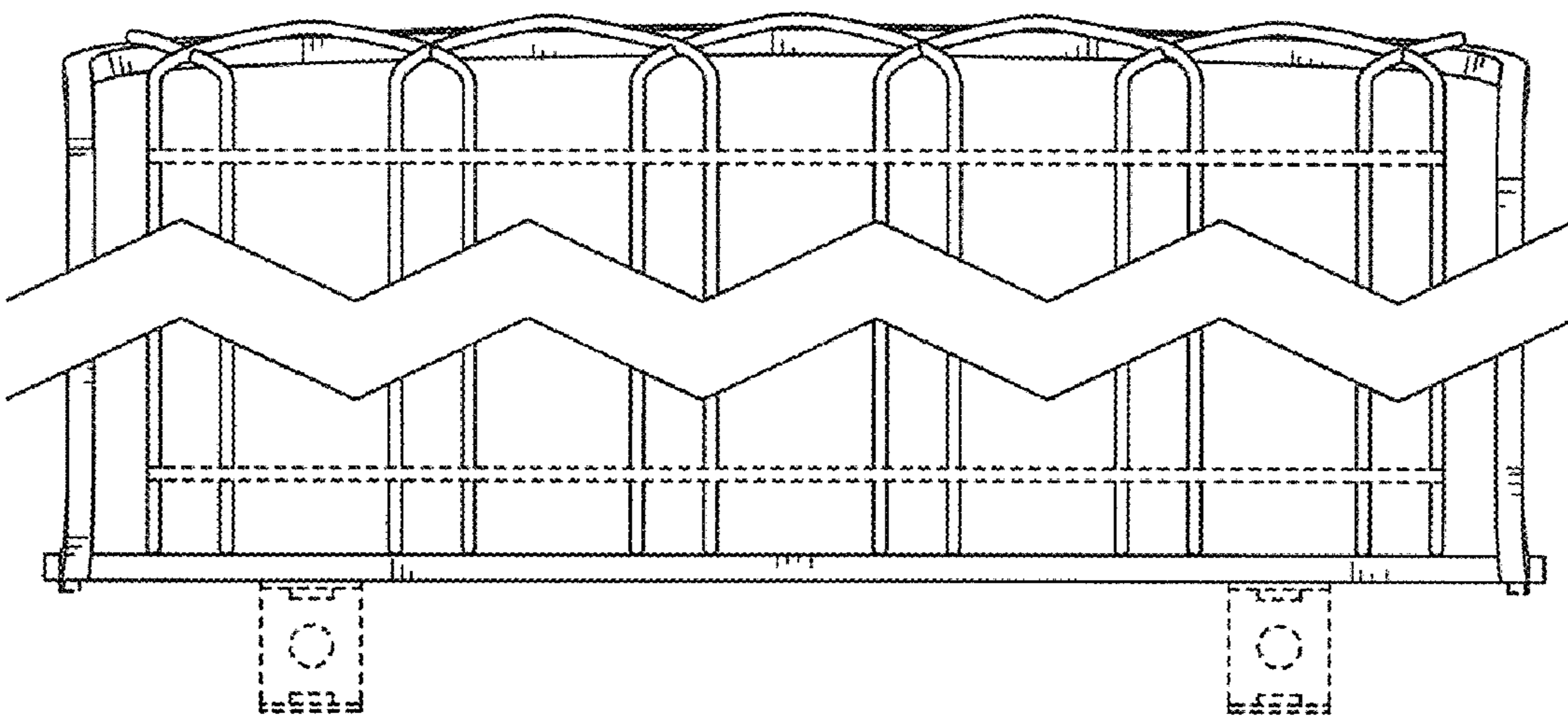


FIG 6