



US00D675048S

(12) **United States Design Patent**
Coresh

(10) **Patent No.:** **US D675,048 S**
(45) **Date of Patent:** **** Jan. 29, 2013**

(54) **RAZOR STAND**

(75) Inventor: **Alon Leon Coresh**, Marina del Rey, CA
(US)

(73) Assignee: **Rolling Razor, Inc.**, Marina del Rey, CA
(US)

(**) Term: **14 Years**

(21) Appl. No.: **29/429,516**

(22) Filed: **Aug. 13, 2012**

(51) **LOC (9) Cl.** **23-02**

(52) **U.S. Cl.** **D6/524; D6/526; D6/534**

(58) **Field of Classification Search** D6/526,
D6/524, 540, 534, 528; 211/13.1, 70.6, 87.01,
211/89.01, 66, 86.01; 248/200, 205.5, 309.1,
248/314, 127, 176.1; D9/749; 206/208,
206/209, 228, 361, 362, 362.1, 362.2, 362.3

See application file for complete search history.

(56) **References Cited**

U.S. PATENT DOCUMENTS

D387,930	S	*	12/1997	Israel et al.	D6/526
D572,063	S	*	7/2008	Provost et al.	D6/526
D576,436	S	*	9/2008	Provost et al.	D6/526
D596,434	S	*	7/2009	Micinilio et al.	D6/526
D635,384	S	*	4/2011	Yoon	D6/526
D667,664	S	*	9/2012	McCoy	D6/524

* cited by examiner

Primary Examiner — Brian N Vinson

(74) *Attorney, Agent, or Firm* — Blakely, Sokoloff, Taylor & Zafman LLP

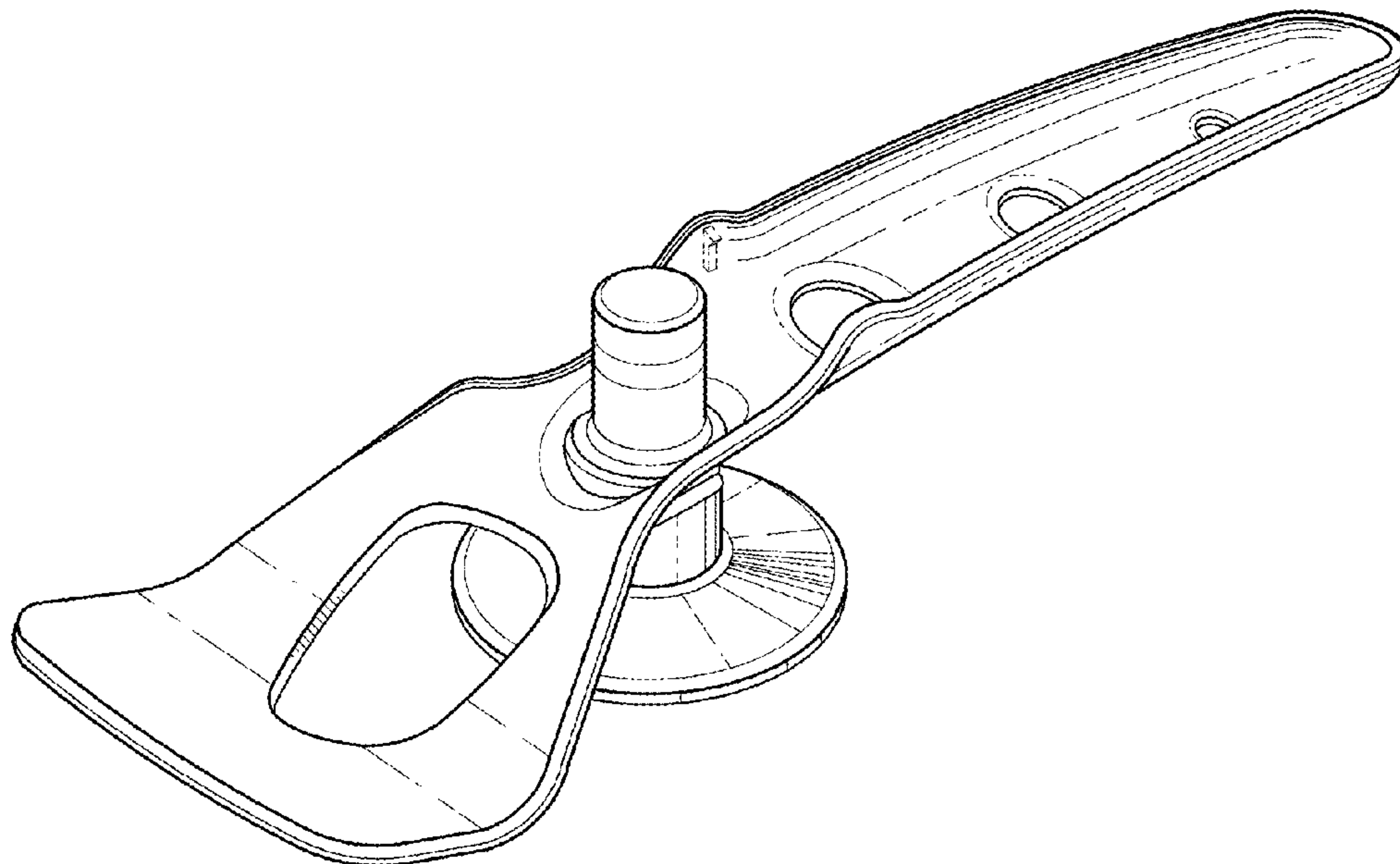
(57) **CLAIM**

The ornamental design for a razor stand, as shown.

DESCRIPTION

FIG. 1 is a perspective view of a razor stand.
FIG. 2 is a front view of the razor stand of FIG. 1.
FIG. 3 is a rear view of the razor stand of FIG. 1.
FIG. 4 is a top view of the razor stand of FIG. 1.
FIG. 5 is a bottom view of the razor stand of FIG. 1.
FIG. 6 is a right side view of the razor stand of FIG. 1; and,
FIG. 7 is a left side view of the razor stand of FIG. 1.

1 Claim, 3 Drawing Sheets



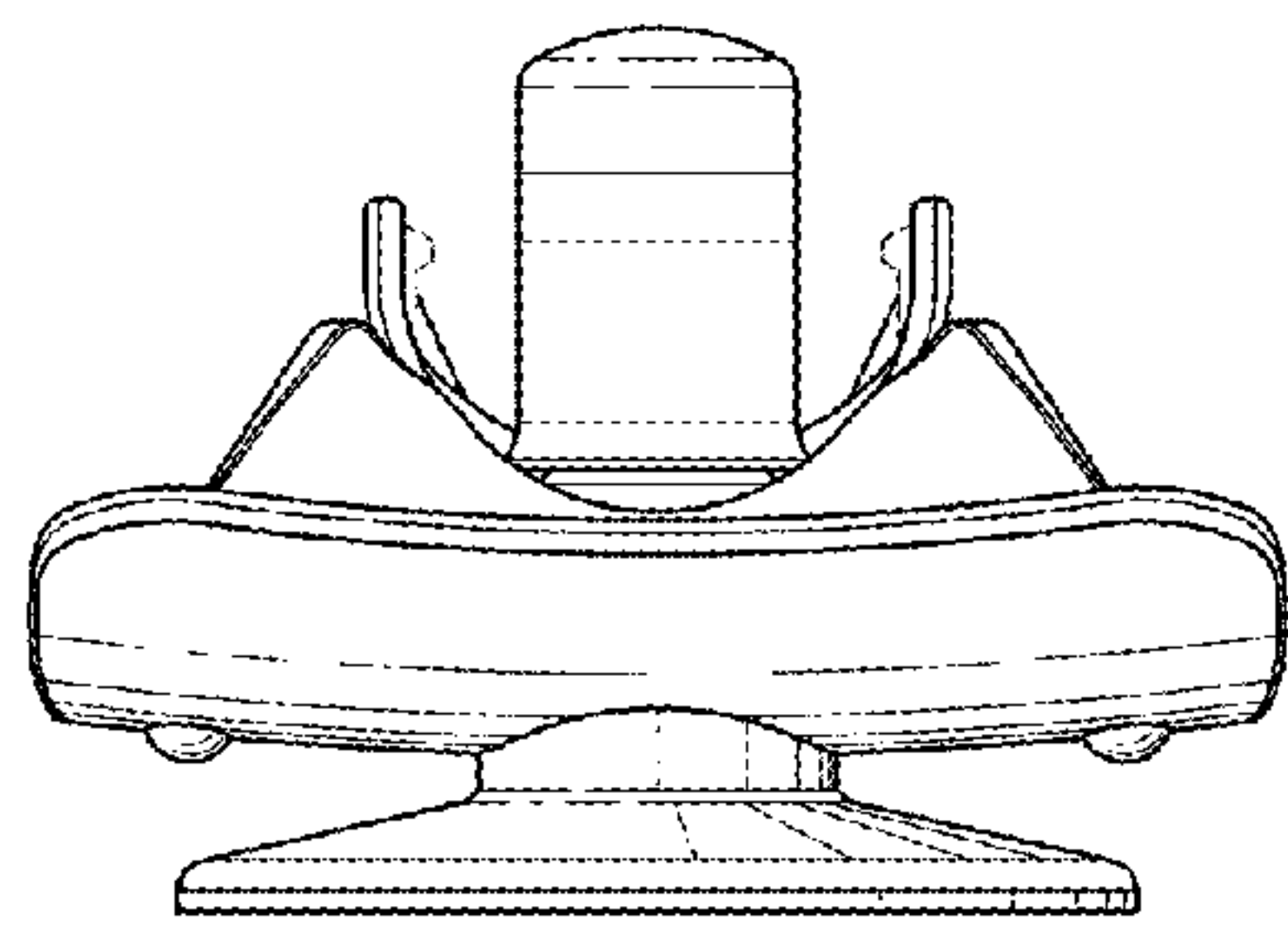
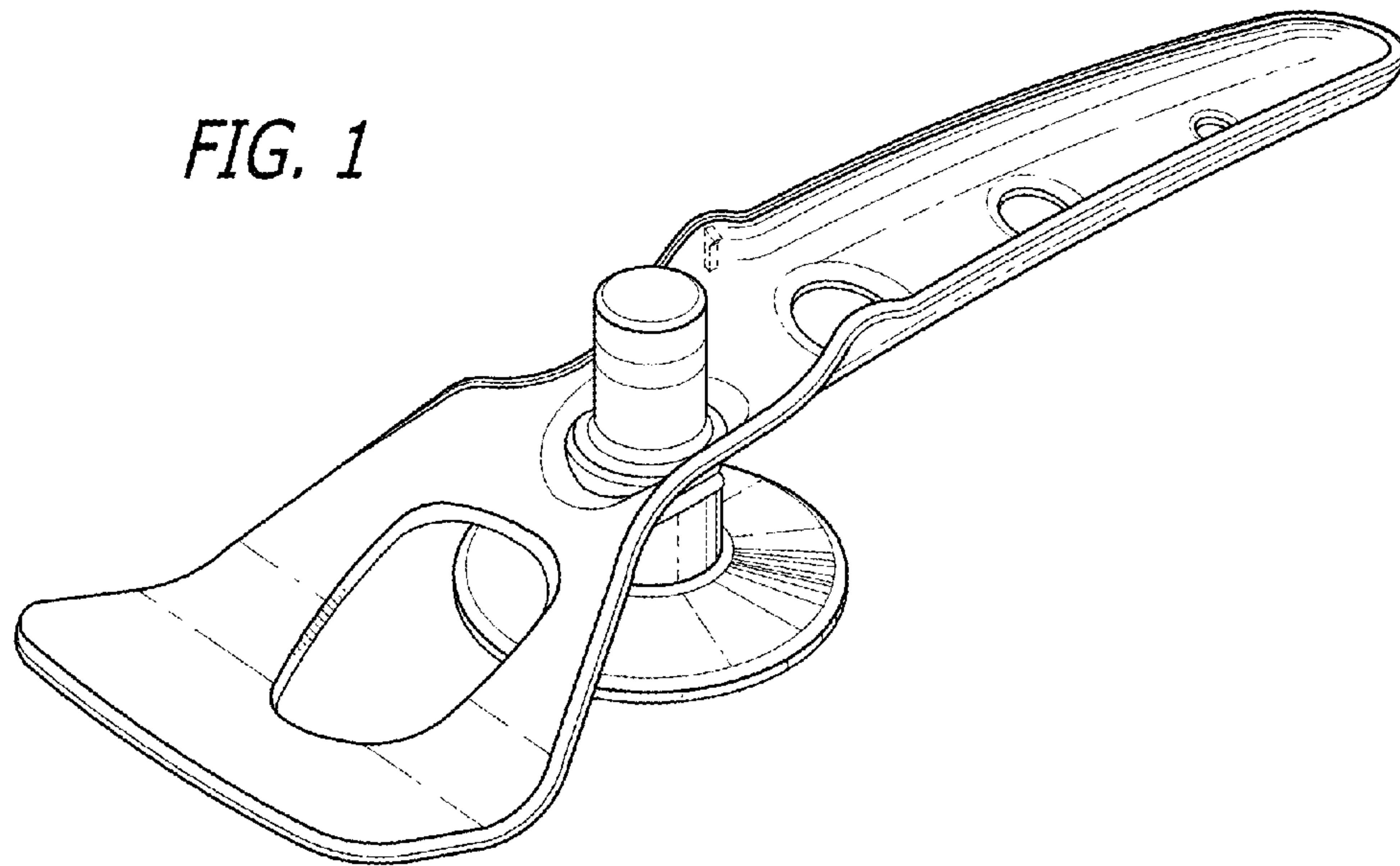


FIG. 2

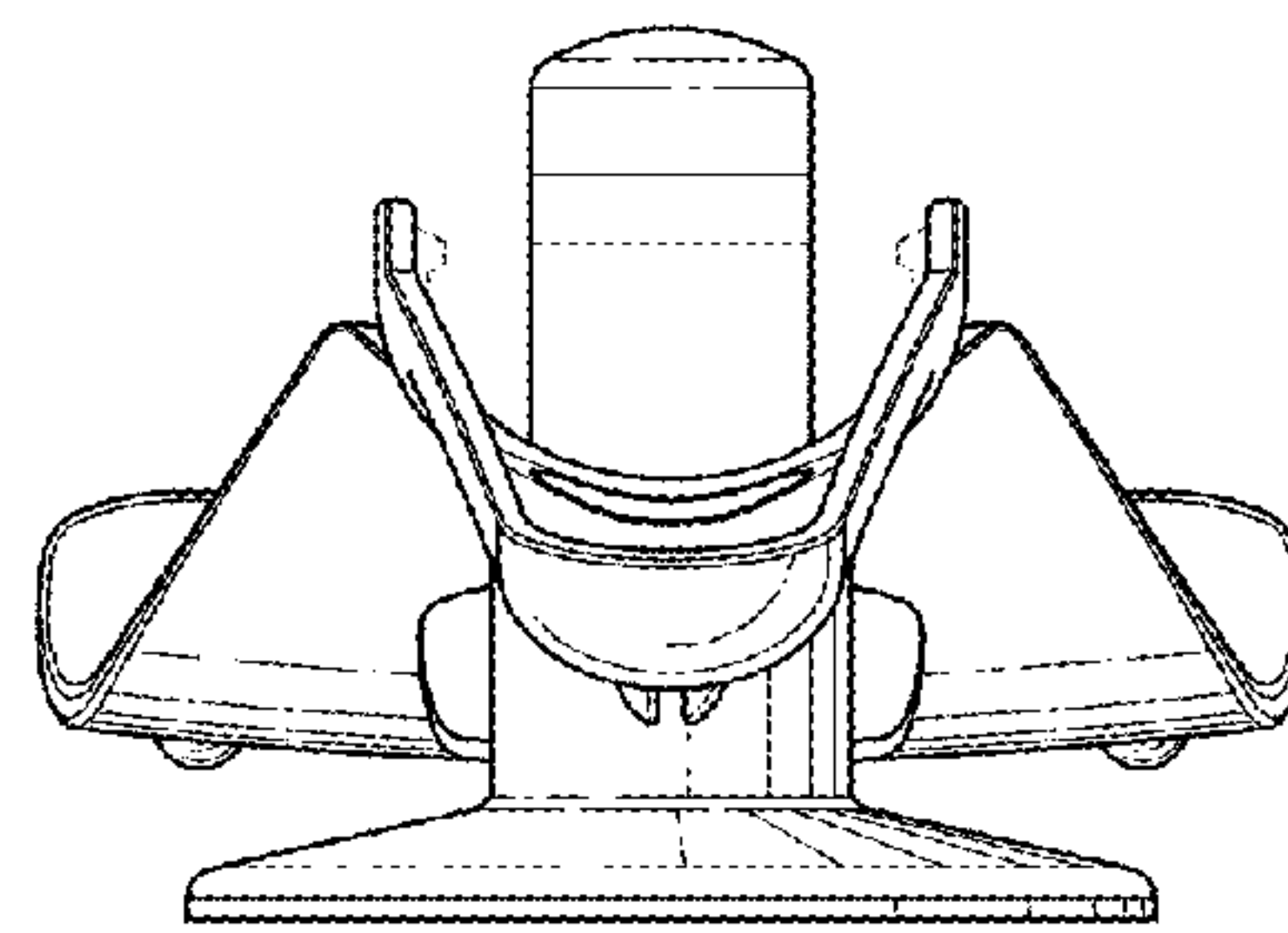
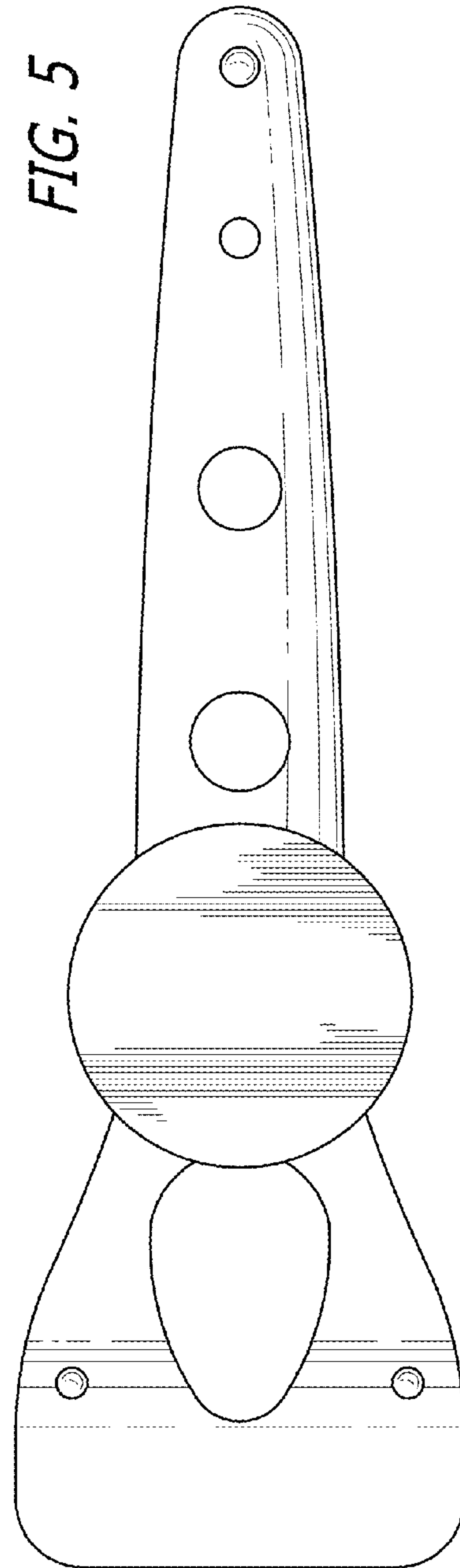
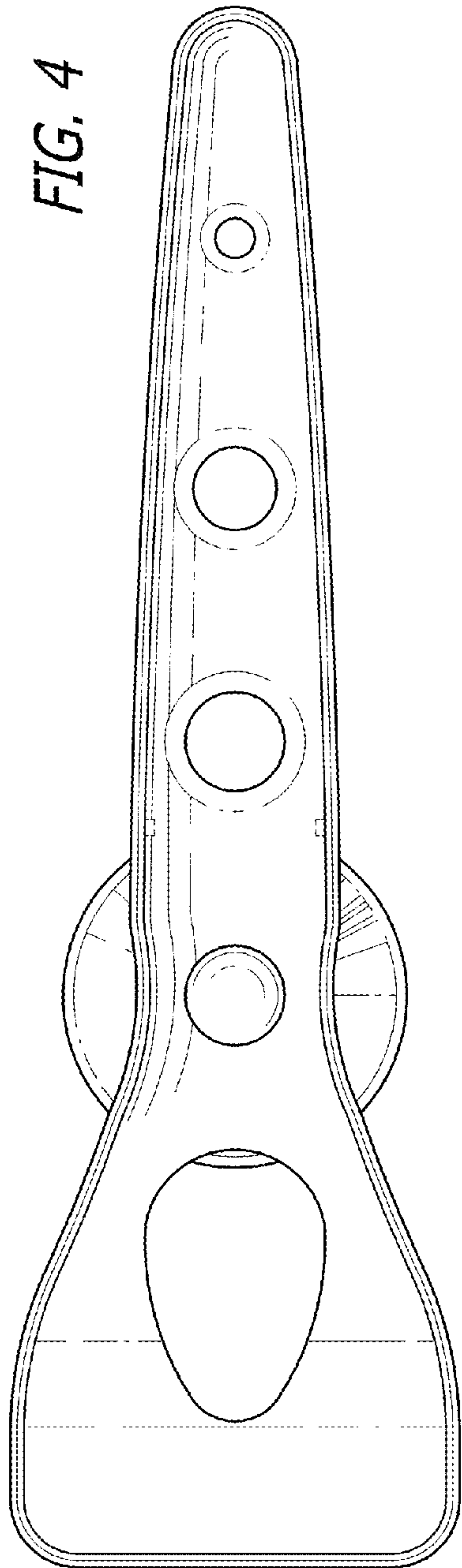


FIG. 3



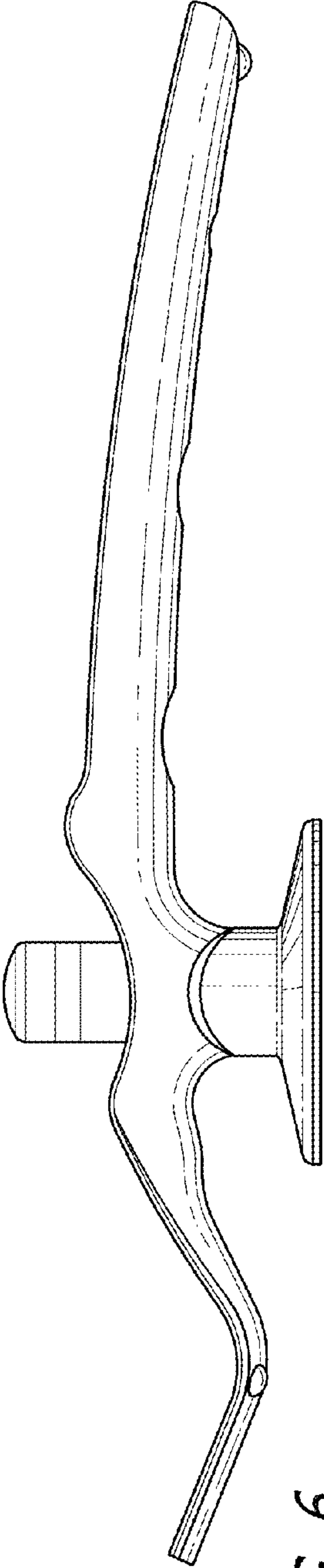


FIG. 6

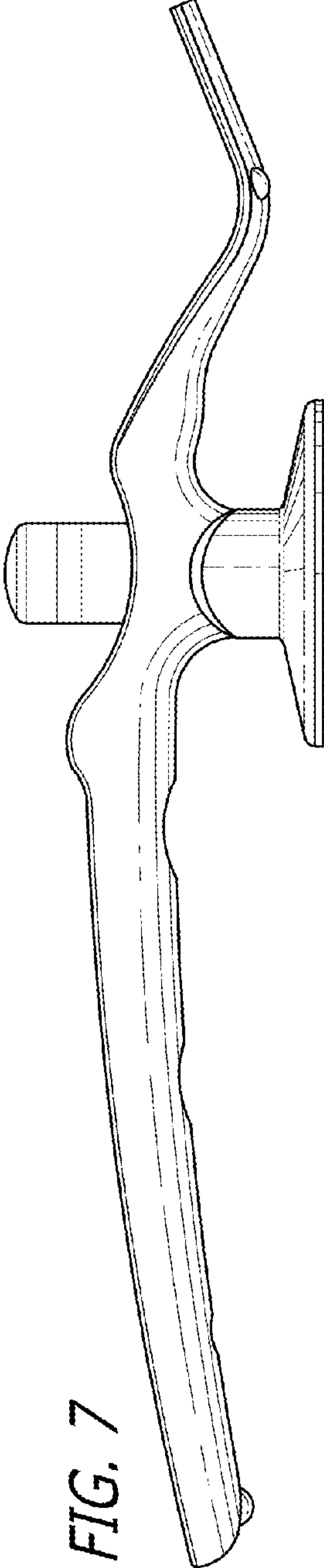


FIG. 7