



US00D675046S

(12) **United States Design Patent**
Kloppers

(10) **Patent No.:** **US D675,046 S**

(45) **Date of Patent:** **** Jan. 29, 2013**

(54) **EXTRUDED PROFILE FOR A DISPLAY FRAME**

D480,112 S * 9/2003 Santolaya D20/10
D563,124 S * 3/2008 Walter et al. D6/509

(76) Inventor: **Dewald Kloppers**, Pretoria (ZA)

* cited by examiner

(**) Term: **14 Years**

Primary Examiner — Doris Clark

(21) Appl. No.: **29/385,275**

(74) *Attorney, Agent, or Firm* — Michael P. Pettit

(22) Filed: **Feb. 11, 2011**

(57) **CLAIM**

I claim the ornamental design for an extruded profile for a display frame, as shown and described.

(51) **LOC (9) Cl.** **06-02**

(52) **U.S. Cl.** **D6/509; D25/125**

(58) **Field of Classification Search** D25/122,
D25/125; 40/658, 666, 426, 549, 761, 1;
D20/43, 44, 10; D6/509; 211/85.26, 183
See application file for complete search history.

DESCRIPTION

FIG. 1 is a front end elevational view of an extruded profile for a display frame showing my new design (the opposite end elevational view being a mirror image thereof); FIG. 2 is a front, upper, left perspective view thereof; FIG. 3 is a front, upper, right perspective view thereof; FIG. 4 is a rear, upper perspective view thereof; and, FIG. 5 is a rear, lower perspective view thereof.

(56) **References Cited**

U.S. PATENT DOCUMENTS

5,409,120 A * 4/1995 Miller et al. 211/85.26
6,591,997 B2 * 7/2003 Hung 211/183

1 Claim, 5 Drawing Sheets

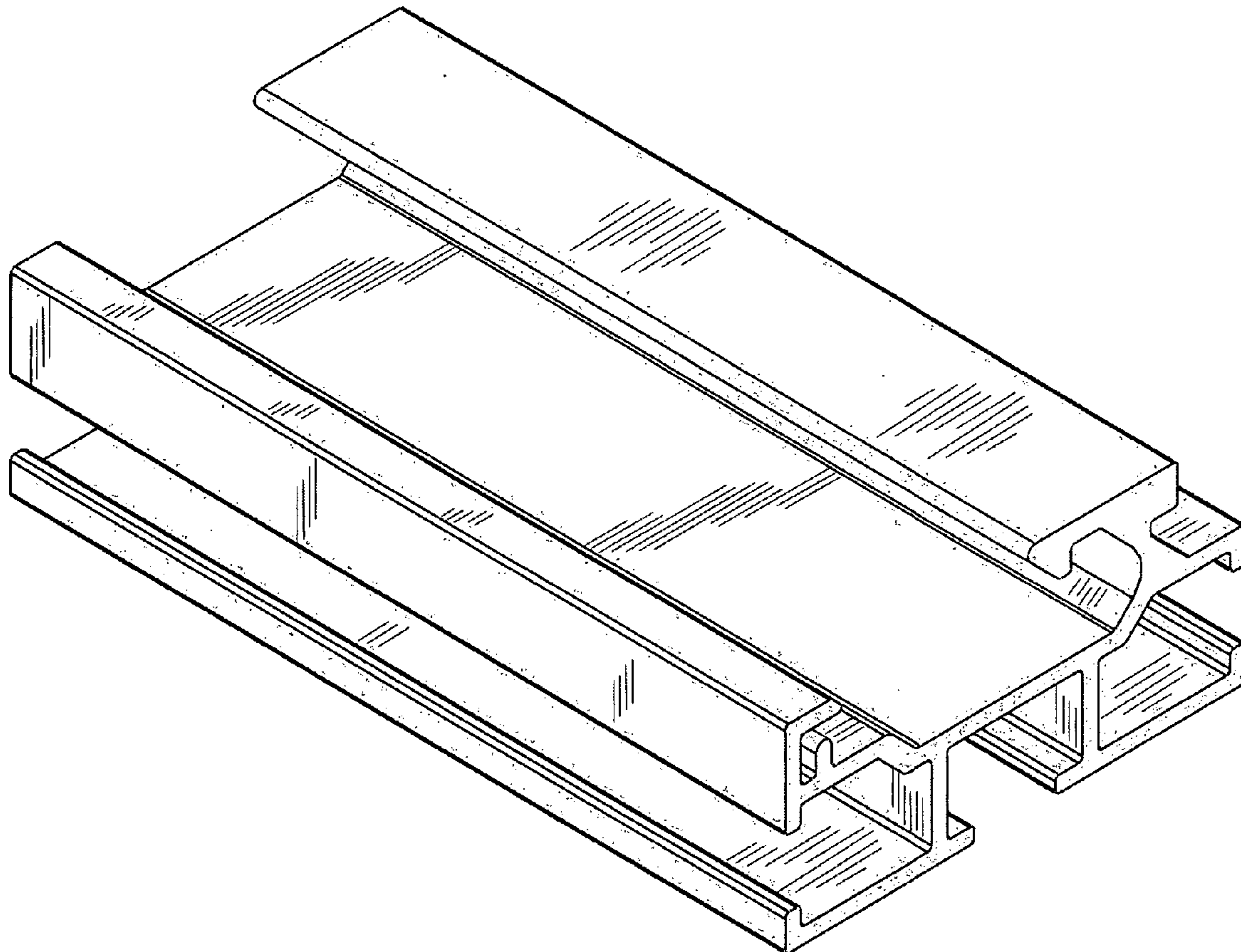


FIG. 1

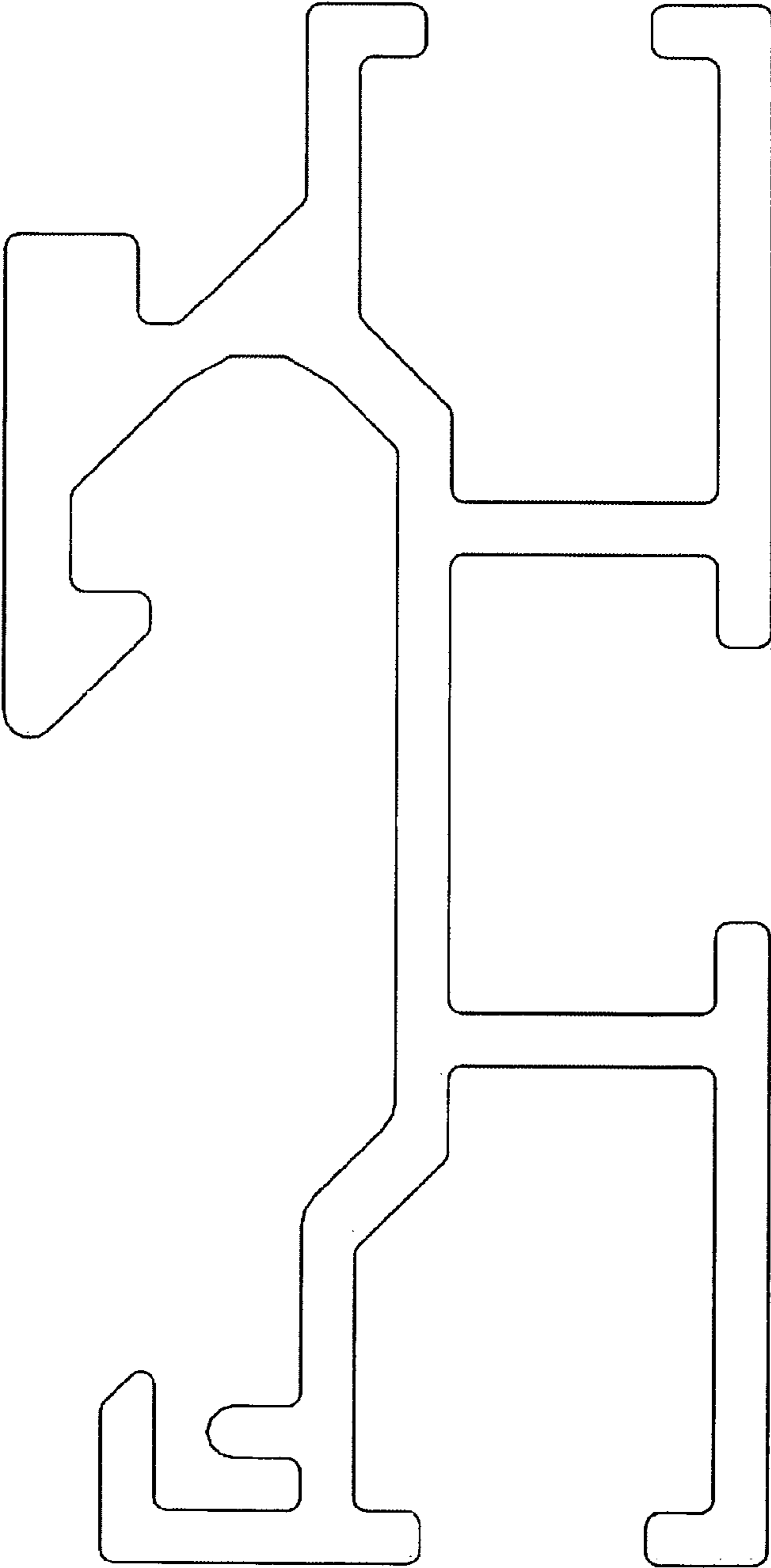


FIG. 2

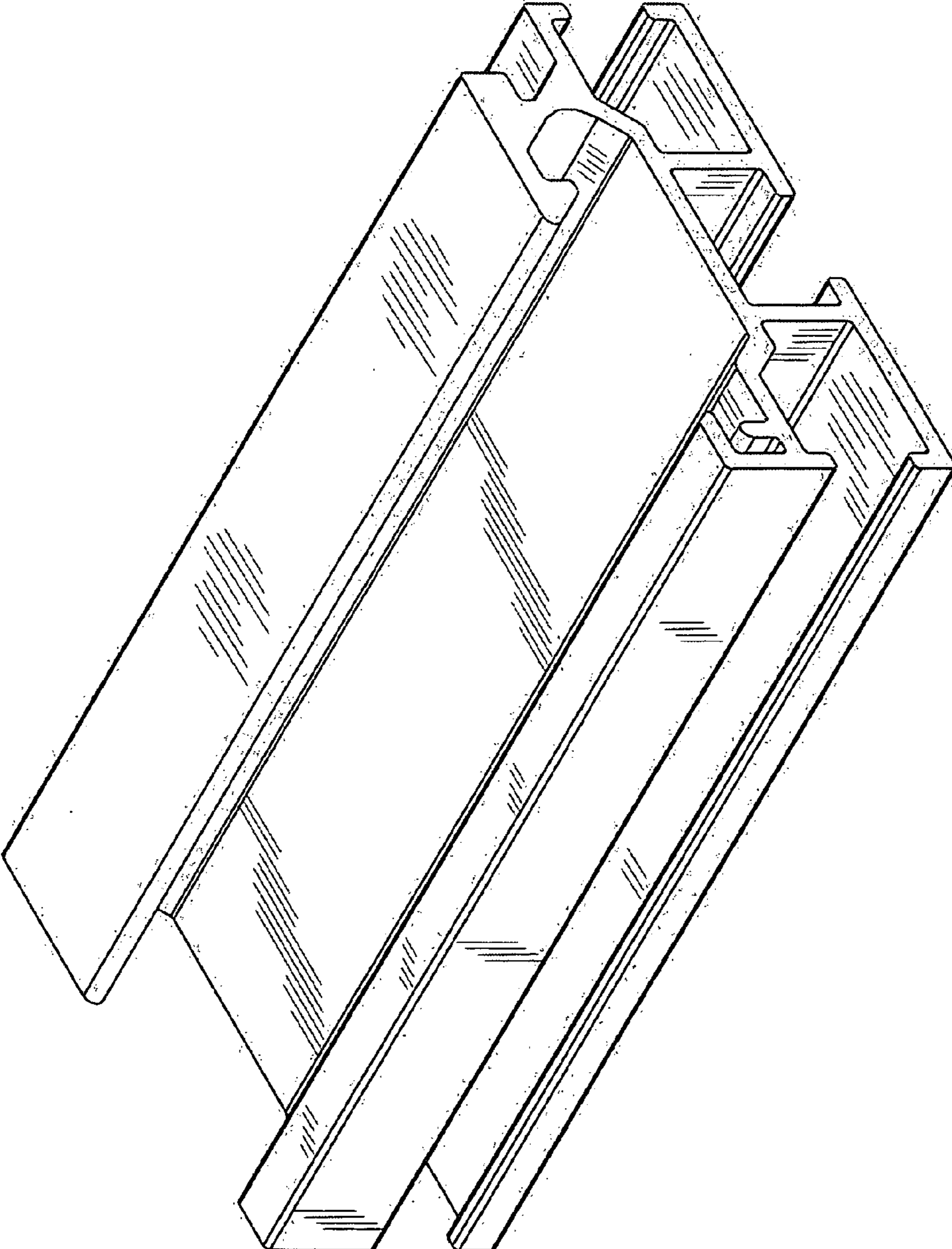


FIG. 3

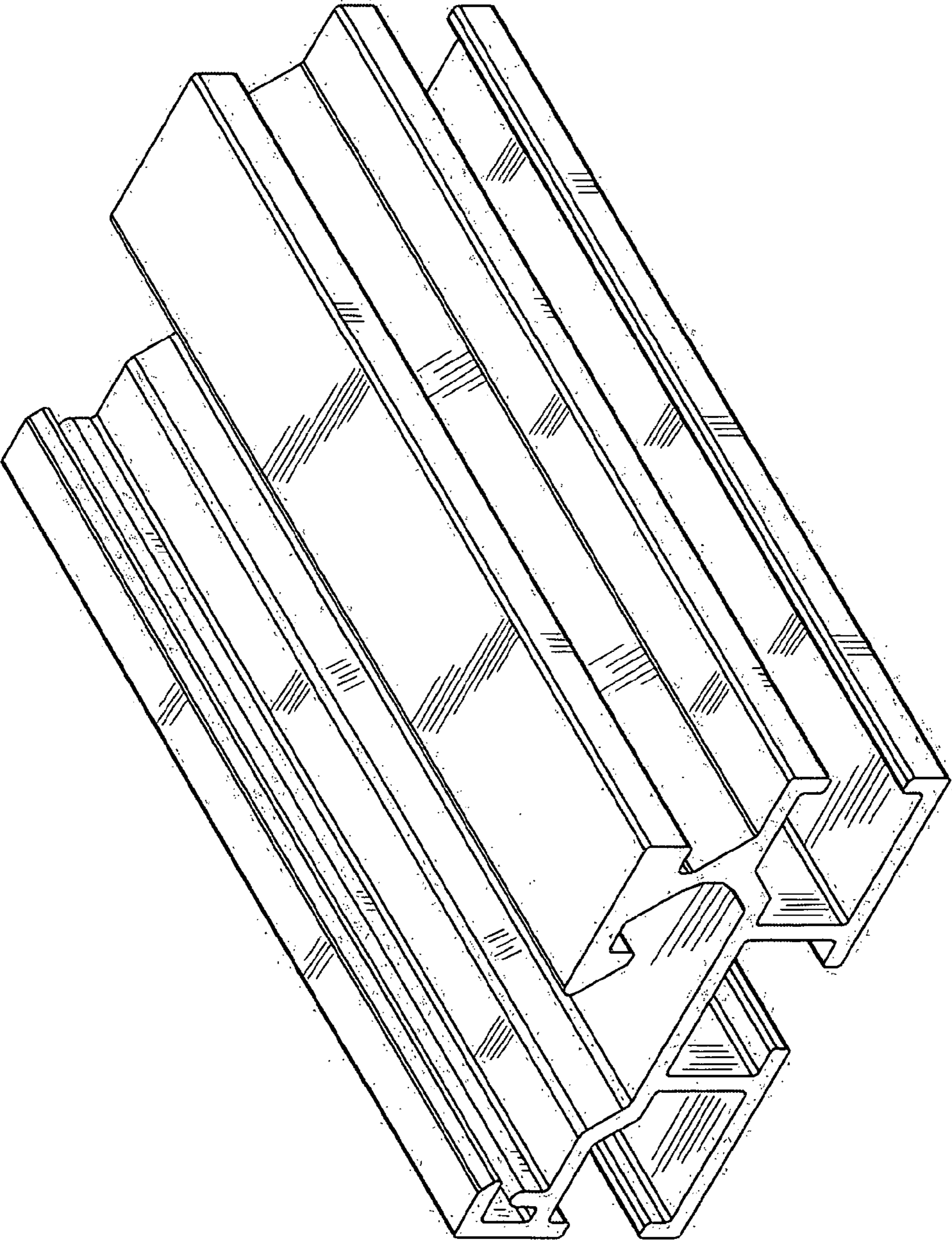


FIG. 4

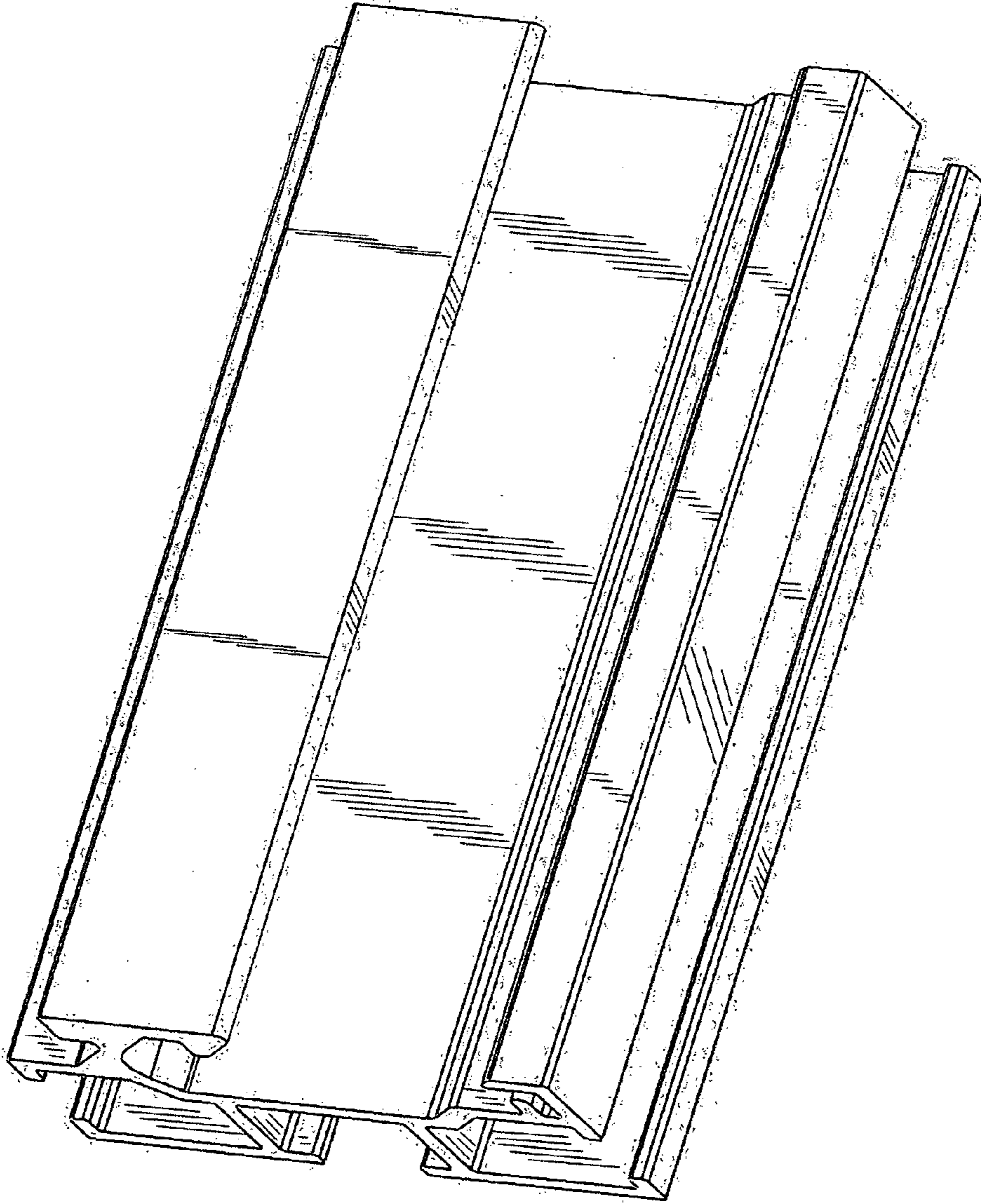


FIG. 5

