



US00D675041S

(12) **United States Design Patent**  
**Mecherle et al.**

(10) **Patent No.:** **US D675,041 S**  
(45) **Date of Patent:** **\*\* Jan. 29, 2013**

(54) **TABLE**

(75) Inventors: **Dave Mecherle**, Orland Hills, IL (US);  
**Arkady Tsorin**, Buffalo Grove, IL (US);  
**Cary Brown**, Round Lake, IL (US);  
**Philip Sopicki**, Glenview, IL (US);  
**Morad Ghassemian**, Oak Park, IL (US)

(73) Assignee: **Bretford Manufacturing, Inc.**, Franklin Park, IL (US)

(\*\*) Term: **14 Years**

(21) Appl. No.: **29/412,670**

(22) Filed: **Feb. 7, 2012**

(51) **LOC (9) Cl.** ..... **06-03**

(52) **U.S. Cl.** ..... **D6/480**

(58) **Field of Classification Search** ..... D6/480-489,  
D6/495-499, 429, 422, 425, 426; 108/153.1,  
108/155, 156, 157.1, 161, 50.01, 50.02, 147.21,  
108/146, 147.19; 248/188, 188.1, 188.8,  
248/423, 188.5

See application file for complete search history.

(56) **References Cited**

U.S. PATENT DOCUMENTS

2,805,906 A \* 9/1957 Humphries et al. .... 108/129  
3,701,506 A \* 10/1972 Favreau ..... 248/188.5  
3,855,946 A \* 12/1974 Bales ..... 108/147.21

D322,729 S \* 12/1991 Diffrient ..... D6/487  
D486,013 S \* 2/2004 Cesaroni et al. .... D6/480  
D489,551 S \* 5/2004 Cesaroni et al. .... D6/480  
D498,091 S \* 11/2004 Winter et al. .... D6/495  
D512,587 S \* 12/2005 Frenkler et al. .... D6/480  
D530,543 S \* 10/2006 High ..... D6/480  
D560,084 S \* 1/2008 Glass et al. .... D6/499  
D560,085 S \* 1/2008 Glass et al. .... D6/499  
D563,697 S \* 3/2008 Glass et al. .... D6/499  
D644,855 S \* 9/2011 Saito ..... D6/480

\* cited by examiner

*Primary Examiner* — Janice Seeger

(74) *Attorney, Agent, or Firm* — Anderson Gorecki & Rouille, LLP

(57) **CLAIM**

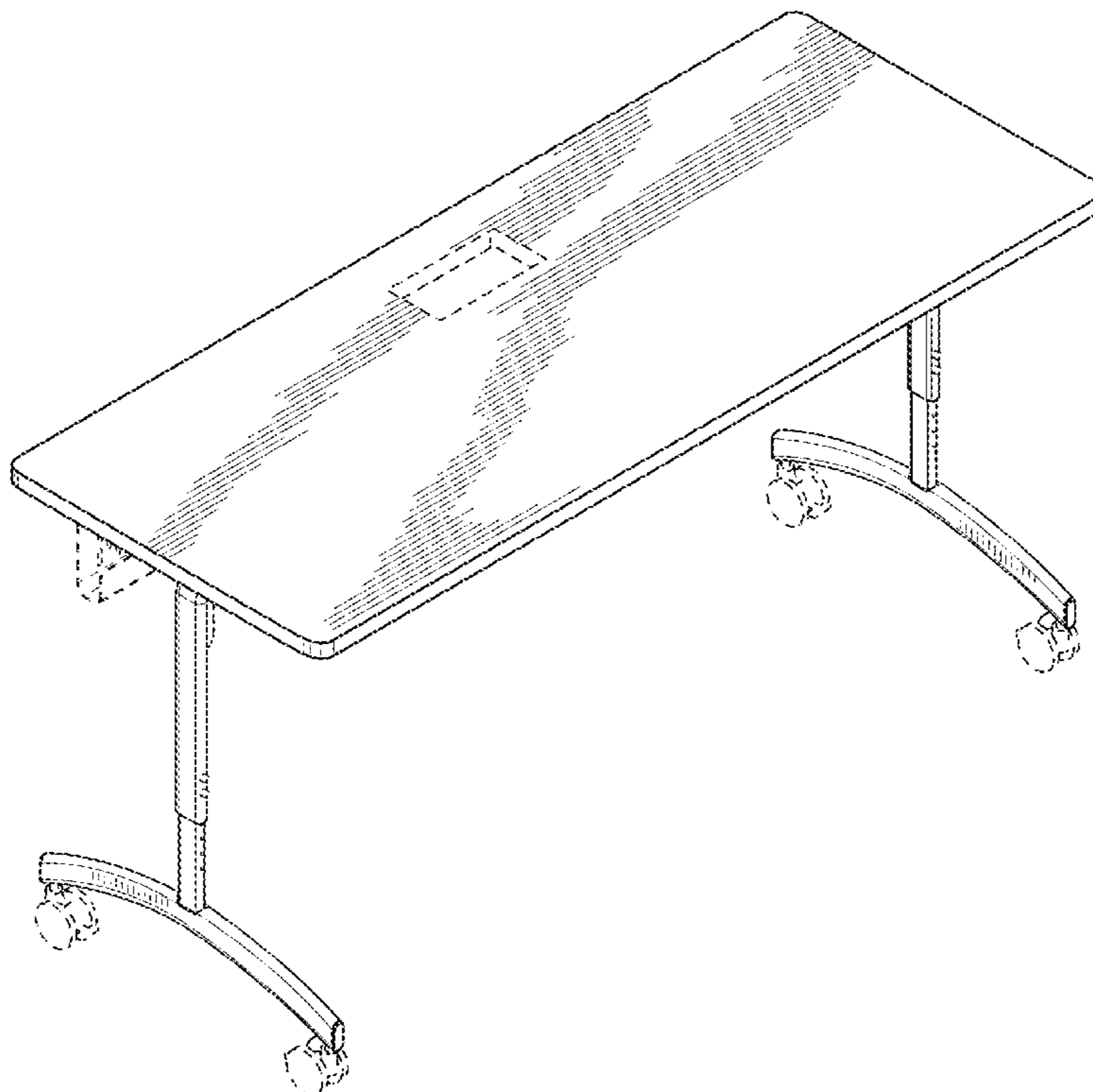
The ornamental design for a table, as shown and described.

**DESCRIPTION**

FIG. 1 is a front perspective view of a table;  
FIG. 2 is a front view of the table of FIG. 1;  
FIG. 3 is a rear view of the table of FIG. 1;  
FIG. 4 is a top plan view of the table of FIG. 1;  
FIG. 5 is a bottom plan view of the table of FIG. 1;  
FIG. 6 is a right view of the table of FIG. 1; and,  
FIG. 7 is a left view of the table of FIG. 1.

The broken lines shown in the drawings are for illustrative purposes only and form no part of the claimed design.

**1 Claim, 6 Drawing Sheets**



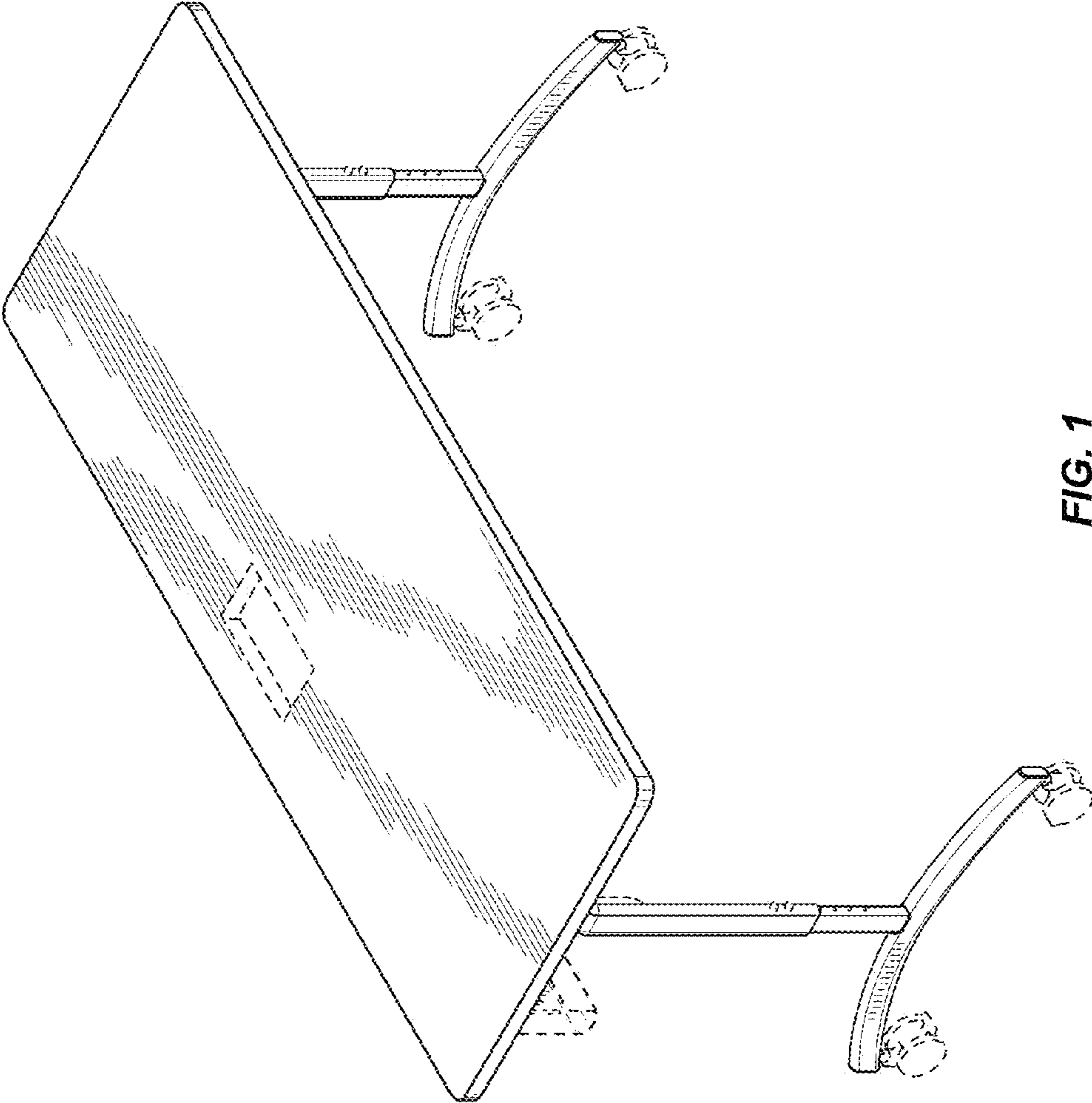


FIG. 1

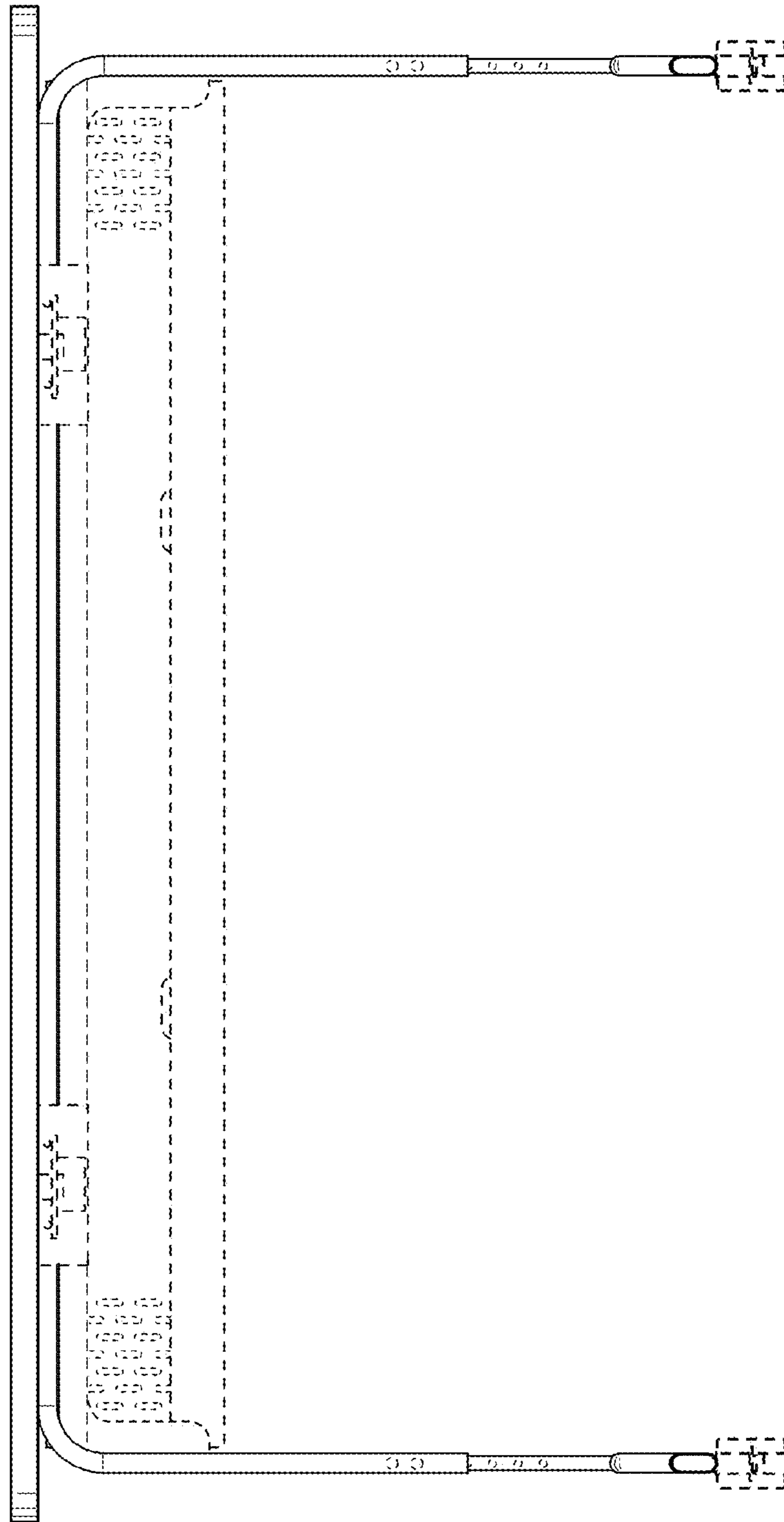


FIG. 2

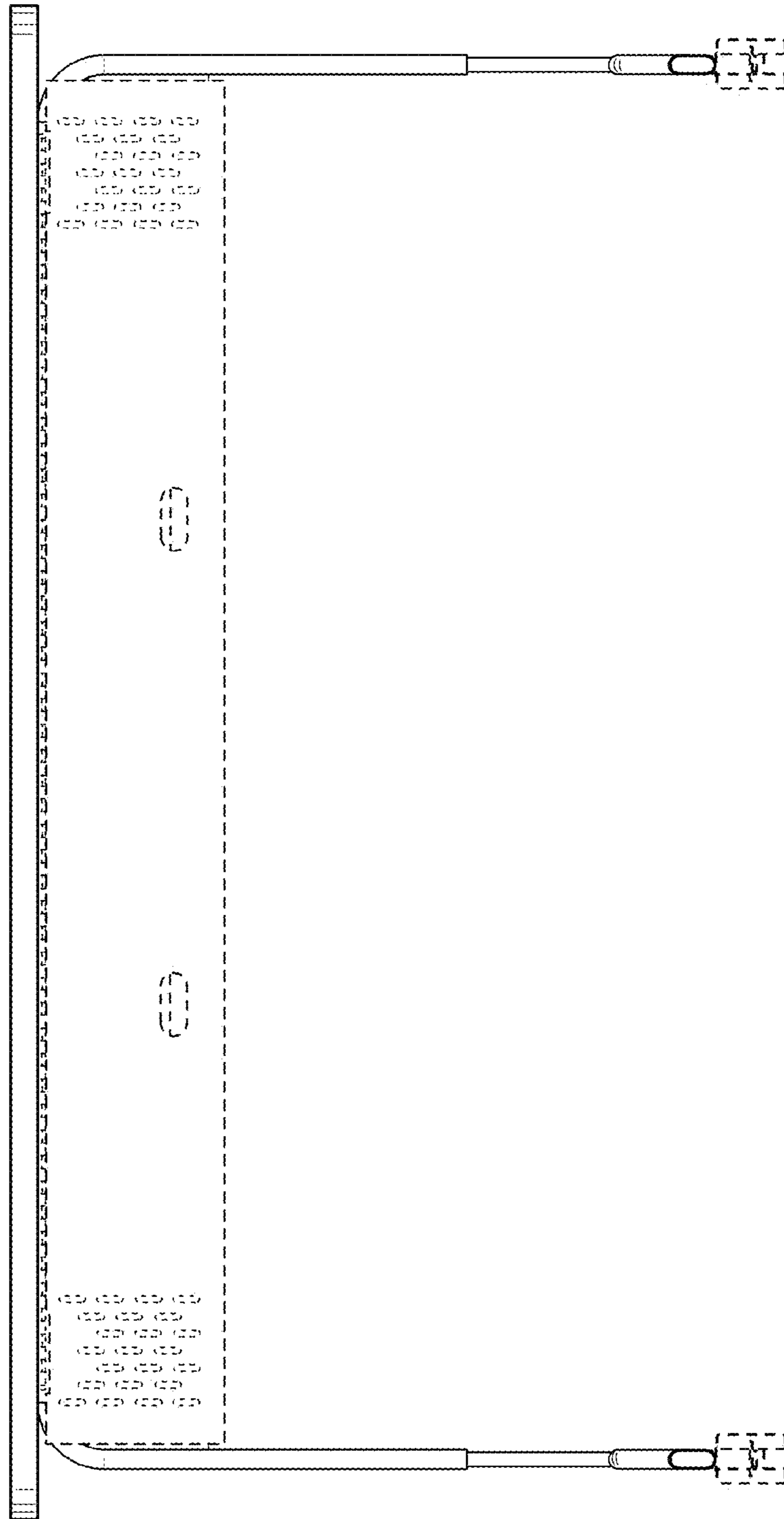


FIG. 3

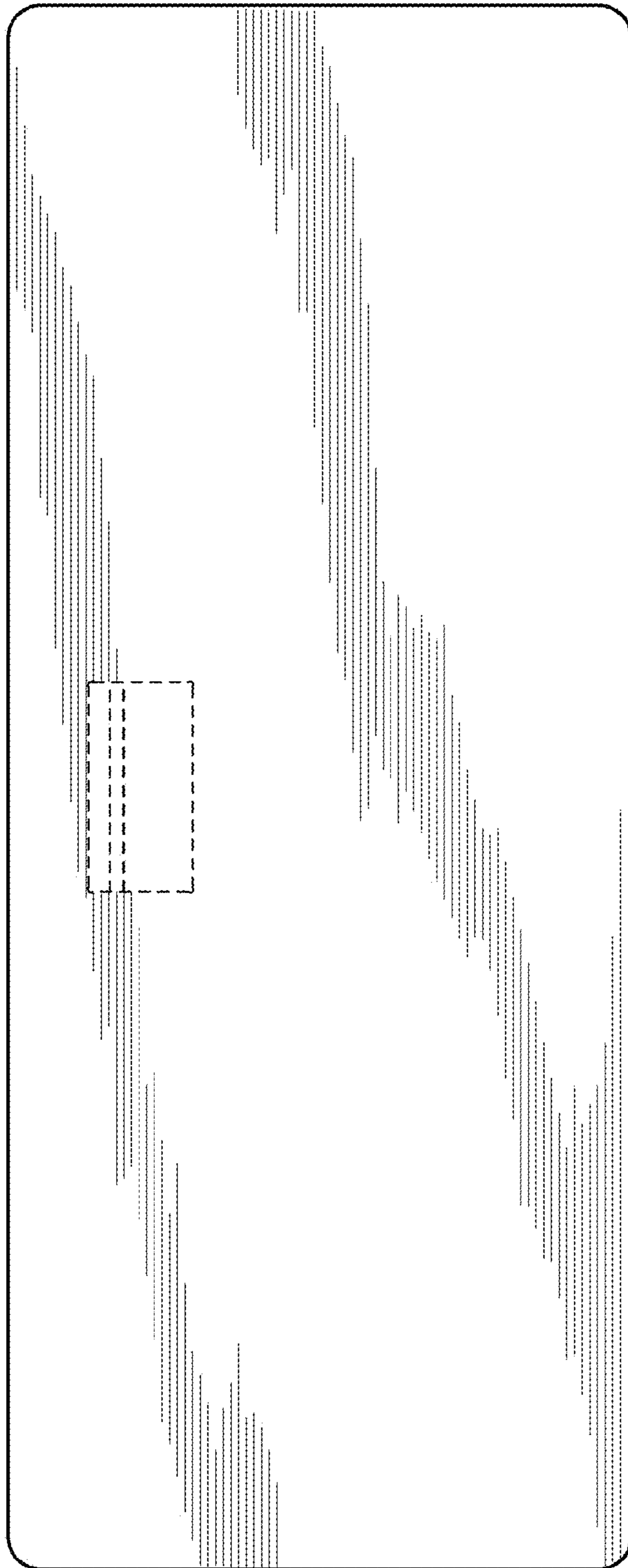


FIG. 4

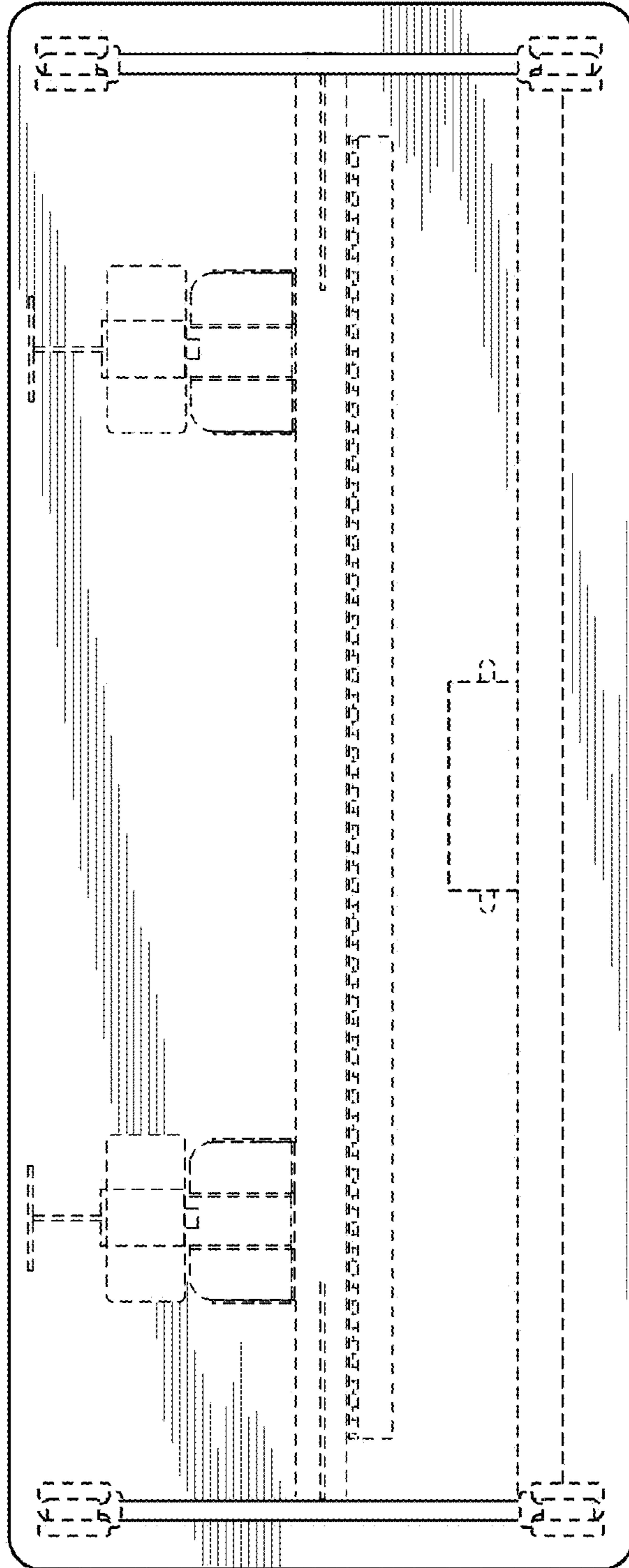


FIG. 5

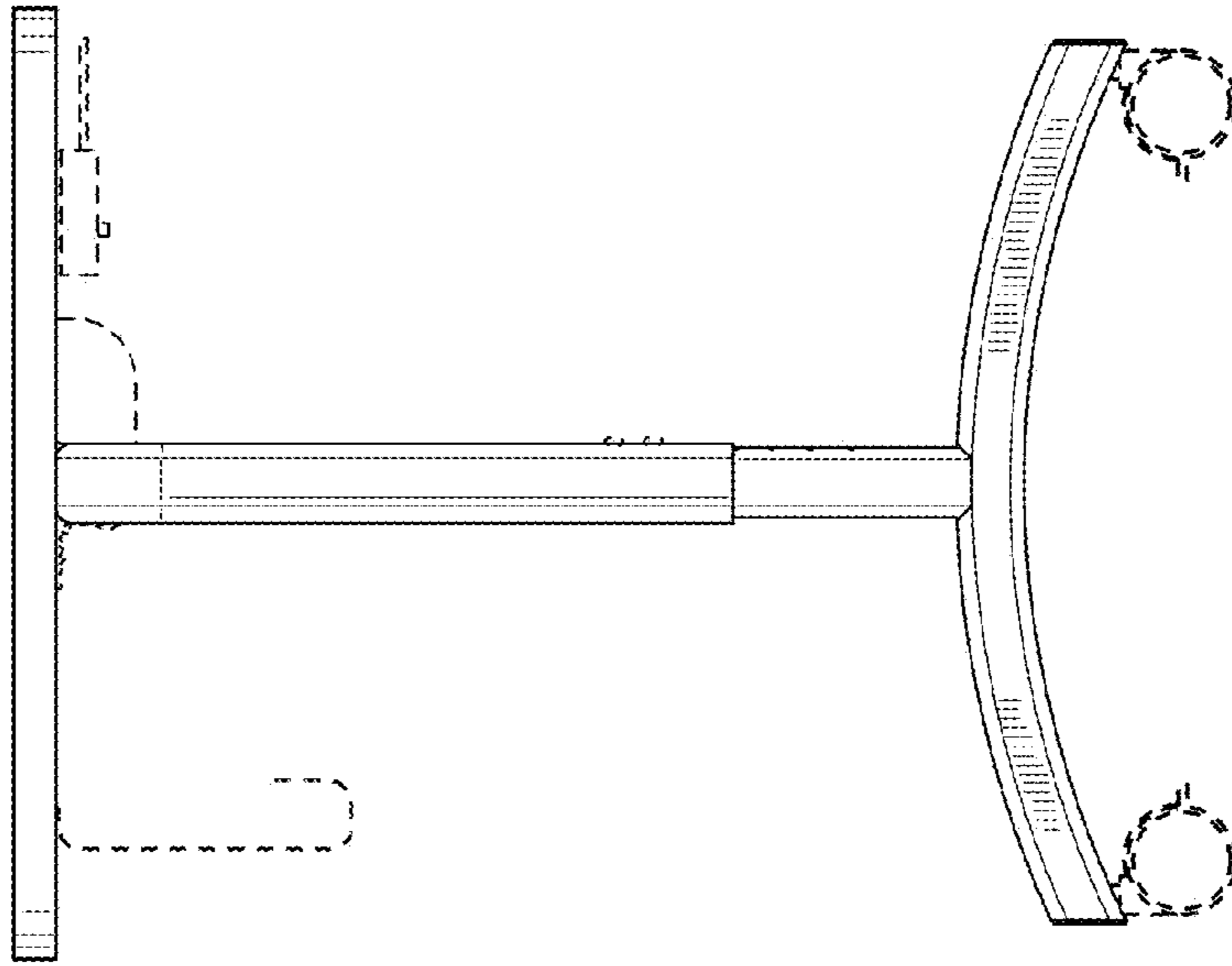


FIG. 7

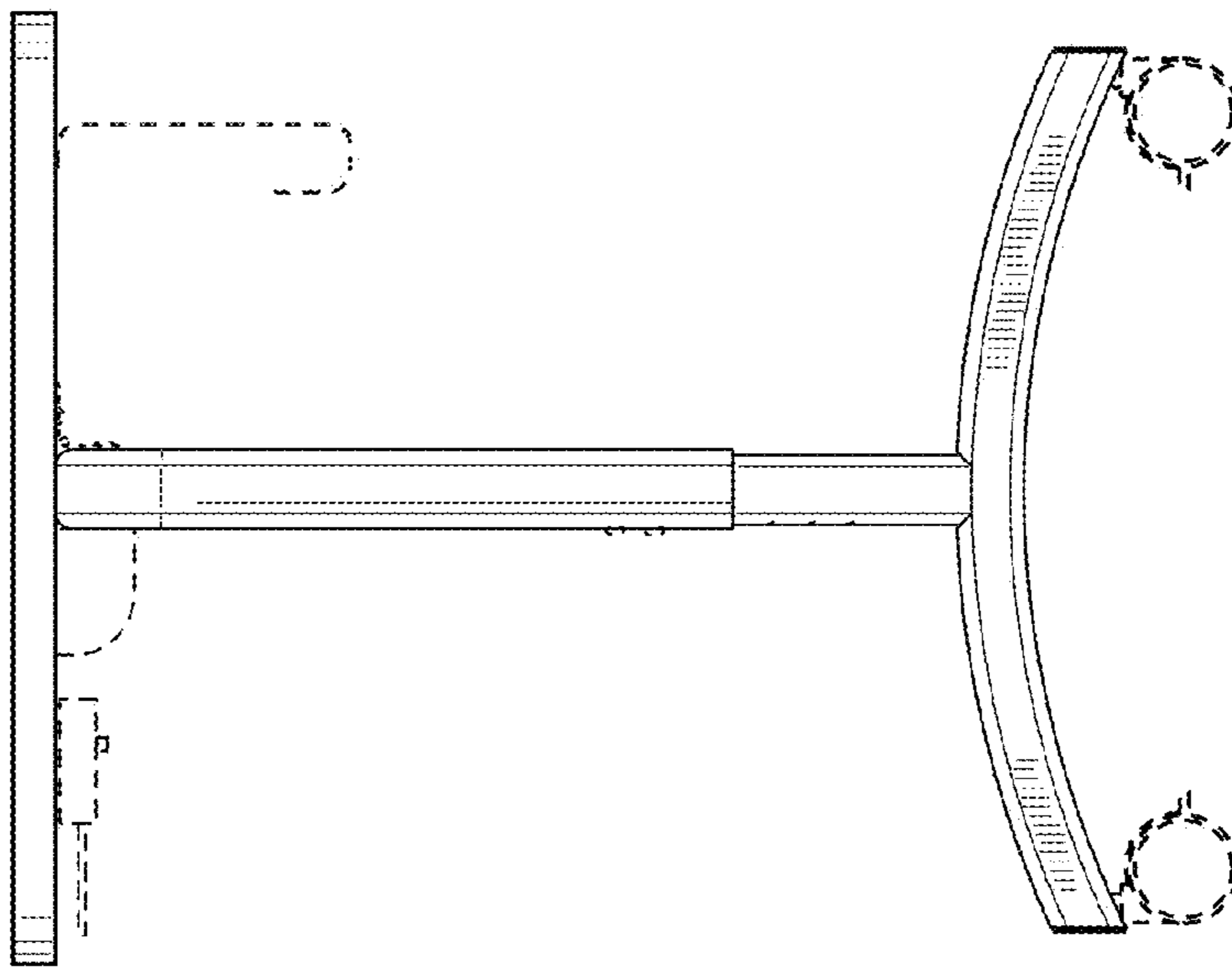


FIG. 6