



US00D675038S

(12) **United States Design Patent**
Barbieri

(10) **Patent No.:** **US D675,038 S**

(45) **Date of Patent:** **** Jan. 29, 2013**

(54) **STAND**

(76) **Inventor:** **Alessio Barbieri, Imola (IT)**

(**) **Term:** **14 Years**

(21) **Appl. No.:** **29/373,118**

(22) **Filed:** **Mar. 2, 2011**

(51) **LOC (9) Cl.** **06-04**

(52) **U.S. Cl.** **D6/411**

(58) **Field of Classification Search** D6/491-495,
D6/449, 515; D8/402; 292/340; D25/132;
16/86 A; D23/366

See application file for complete search history.

(56) **References Cited**

U.S. PATENT DOCUMENTS

D30,549 S *	4/1899	Callaway	D25/128
918,060 A *	4/1909	Kabureck	16/86 R
D187,799 S *	5/1960	Saarinen	D6/495
D191,784 S *	11/1961	Ingram	D8/402
3,172,144 A *	3/1965	Jamison	16/86 A
D218,422 S *	8/1970	Crandall	D6/495
D226,200 S *	1/1973	Crandall	D25/132
D269,291 S *	6/1983	Hofer et al.	D23/366
D277,645 S *	2/1985	McGarry	D8/402
D286,135 S *	10/1986	Looney	D8/402
D303,626 S *	9/1989	Morrison	D8/402
5,575,514 A *	11/1996	Troy	292/340

D433,931 S *	11/2000	Poplin	D8/402
D458,485 S *	6/2002	Tramontina	D6/515
D478,437 S *	8/2003	Wang	D6/495
D487,395 S *	3/2004	Wockenfuss	D8/402
6,776,398 B1 *	8/2004	Tsai	256/45
D581,304 S *	11/2008	Phillips	D10/113.2
D625,528 S *	10/2010	Sprague	D6/449
D652,289 S *	1/2012	Vu	D8/402
D652,714 S *	1/2012	Vu	D8/402
D653,532 S *	2/2012	Vu	D8/402
2003/0111657 A1 *	6/2003	Green	256/45

* cited by examiner

Primary Examiner — Philip S Hyder

Assistant Examiner — Sydney Buffalow

(74) *Attorney, Agent, or Firm* — Lowe, Hauptman, Ham & Berner, LLP

(57) **CLAIM**

The ornamental design for a stand, as shown.

DESCRIPTION

FIG. 1 is a perspective view of a stand showing my design.

FIG. 2 is a front view thereof.

FIG. 3 is a back view thereof.

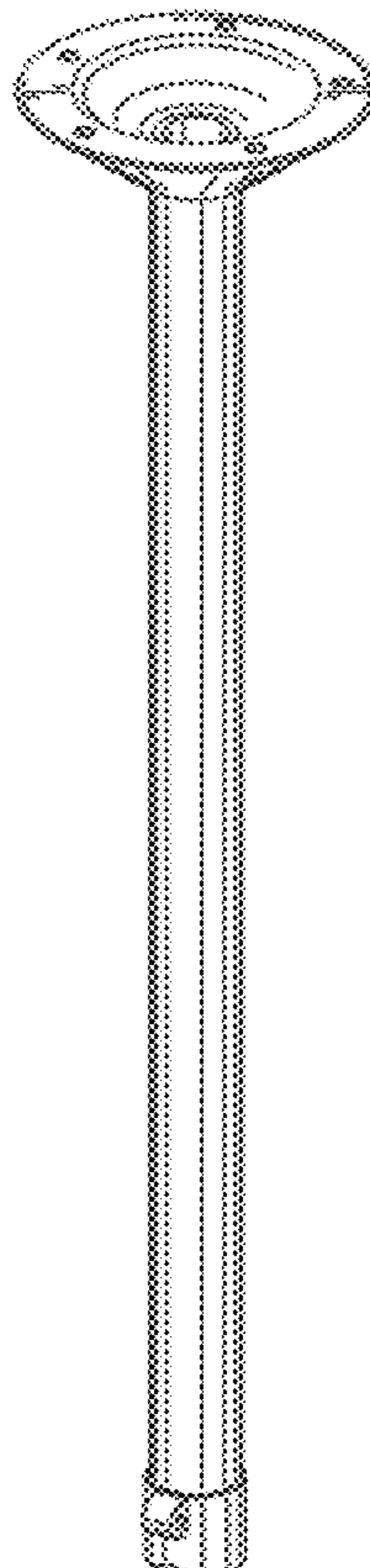
FIG. 4 is a side view thereof.

FIG. 5 is a top view thereof; and,

FIG. 6 is a bottom view thereof.

Portions of the stand shown in broken lines form no part of the claimed invention.

1 Claim, 6 Drawing Sheets



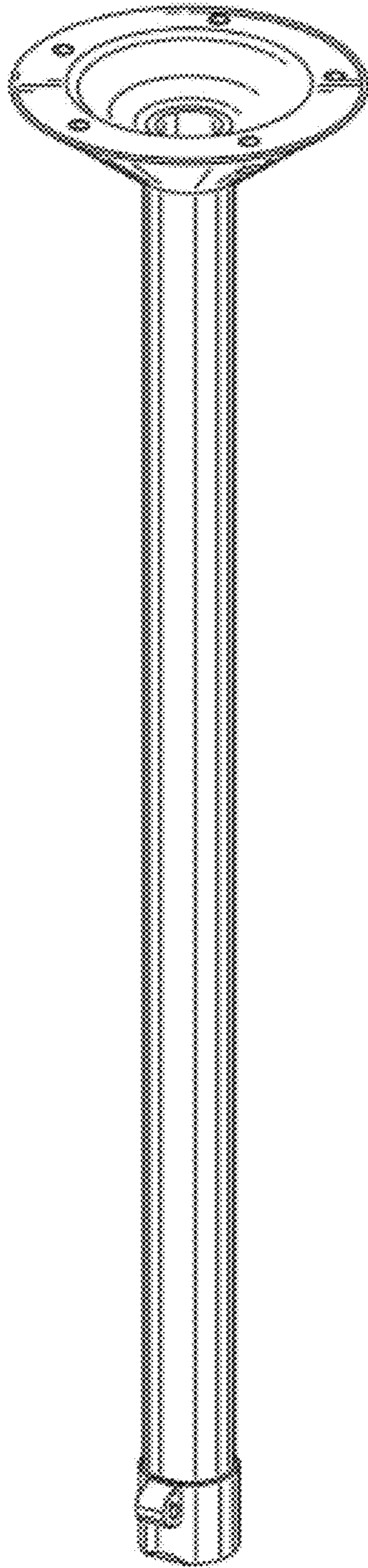


FIG. 1

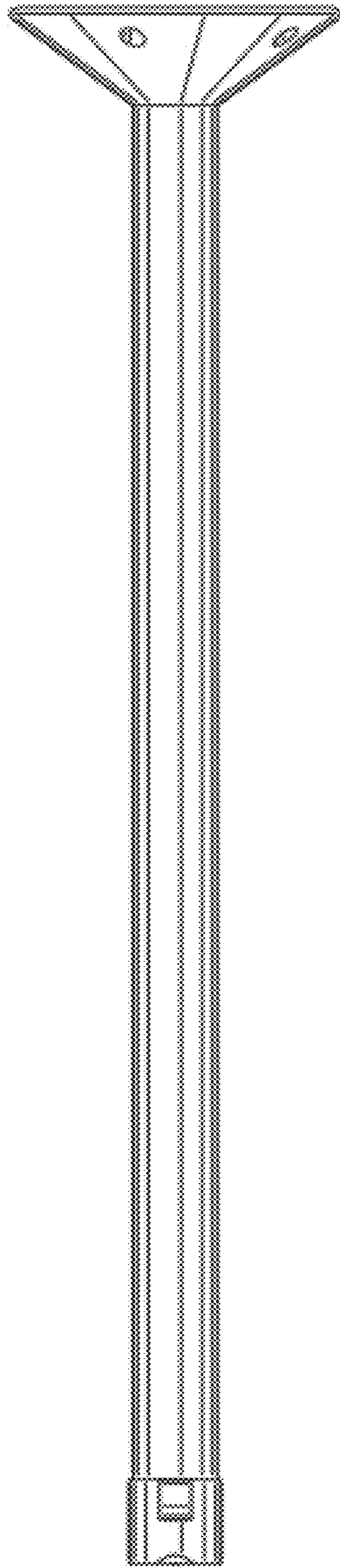


FIG. 2

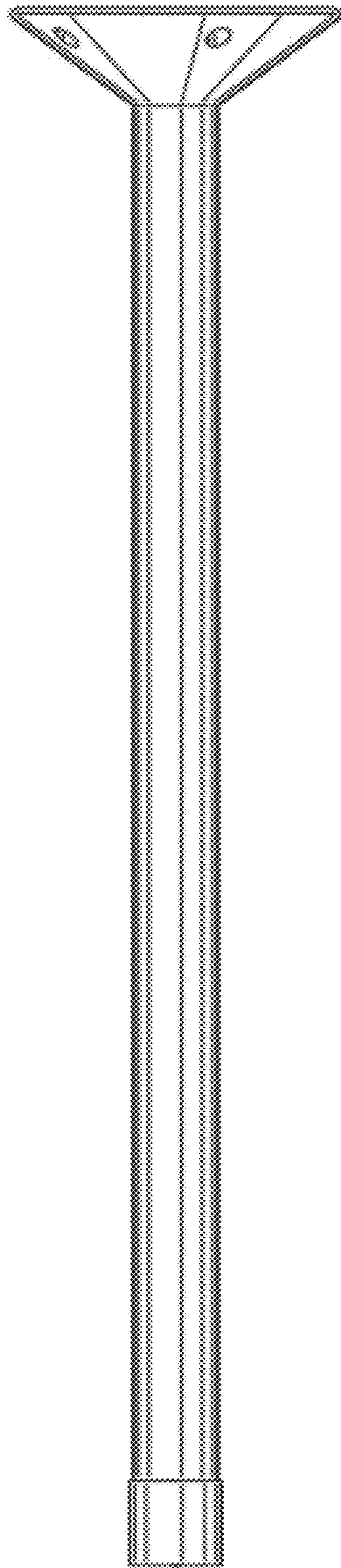


FIG. 3

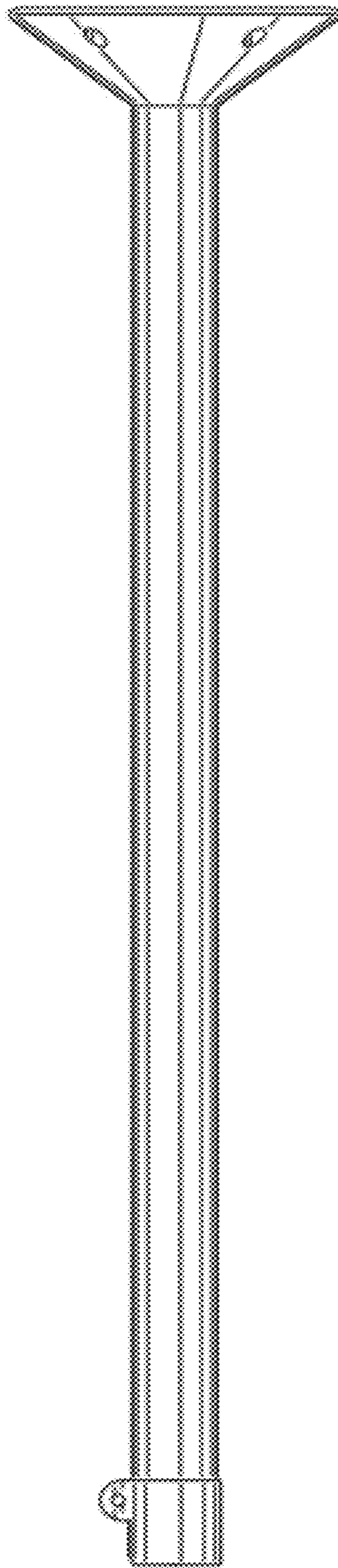


FIG. 4

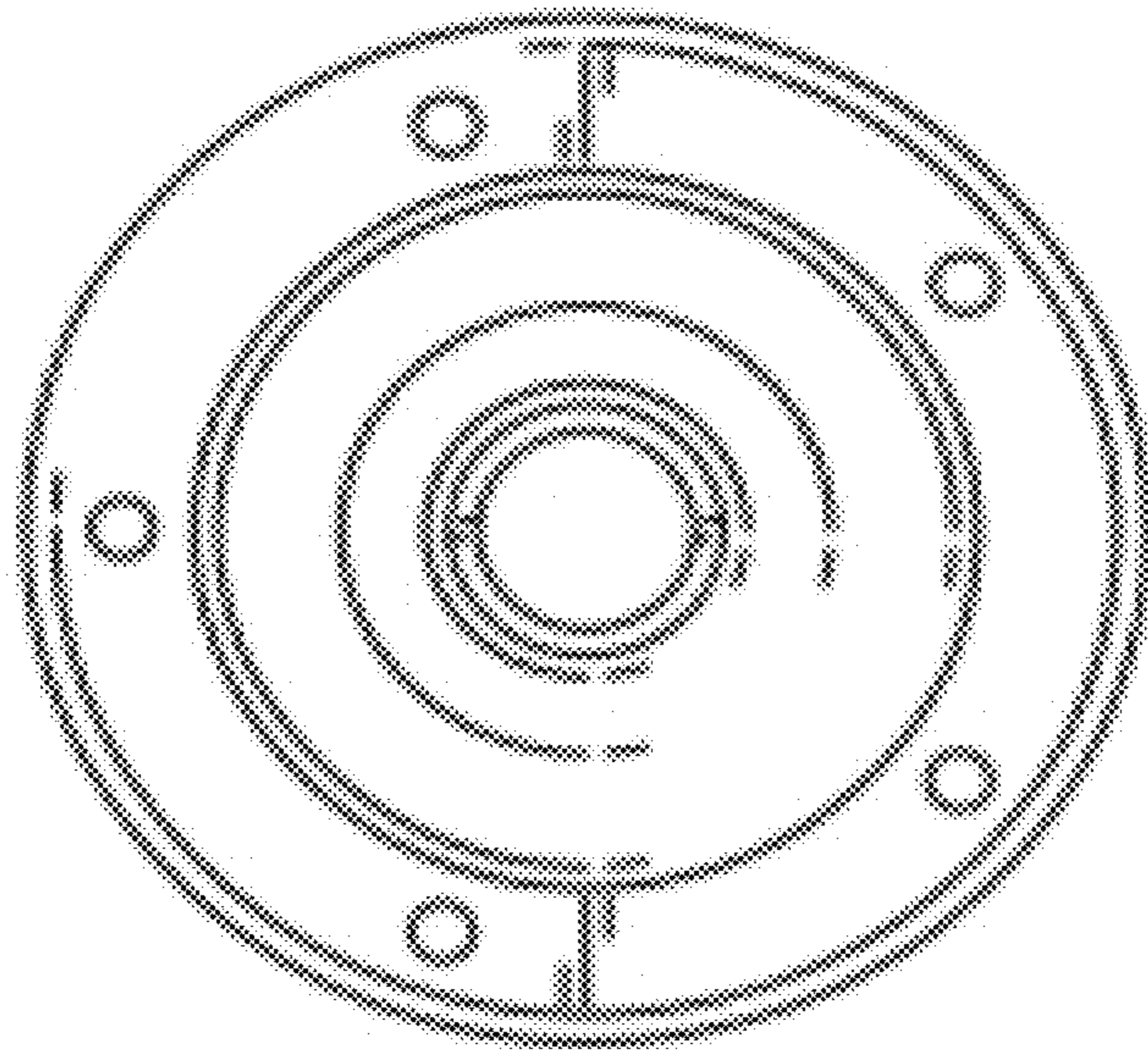


FIG. 5

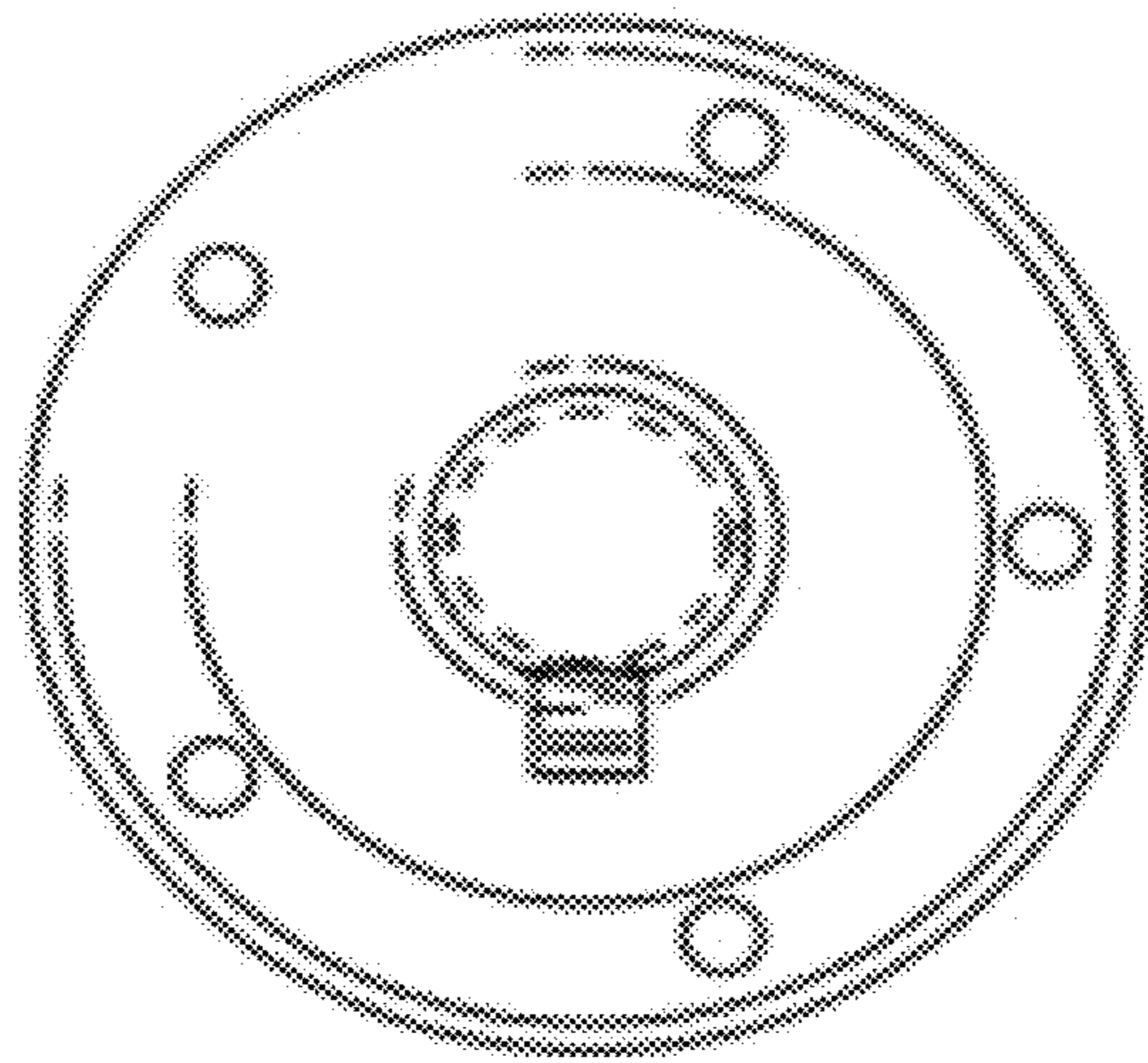


FIG. 6