



US00D675037S

(12) **United States Design Patent**
Sinotte et al.

(10) **Patent No.:** **US D675,037 S**
(45) **Date of Patent:** **** Jan. 29, 2013**

(54) **STAND AND DISPENSER FOR CONSUMABLE PAPER PRODUCTS, SUCH AS TISSUES AND FOLDED TOWELS**

(75) Inventors: **Christopher Matthew Sinotte**, Duluth, GA (US); **Joanna Lynn Klee**, Appleton, WI (US); **John Ross Adams**, Dallas, TX (US); **Ronnie Lee Phillips**, Atlanta, GA (US); **Barry Paul Markwick**, Johns Creek, GA (US); **Sarah Strickland Happel**, Cumming, GA (US)

(73) Assignee: **Kimberly-Clark Worldwide, Inc.**, Neenah, WI (US)

(**) Term: **14 Years**

(21) Appl. No.: **29/408,981**

(22) Filed: **Dec. 19, 2011**

(51) **LOC (9) Cl.** **20-02**

(52) **U.S. Cl.** **D6/408; D6/396**

(58) **Field of Classification Search** D6/515-523, D6/545, 329, 396, 397, 408, 410, 449; 206/225, 206/233, 389, 391; 211/13.1, 45; 242/570, 242/590; 221/26, 33, 282-283; 222/173, 222/180; 248/309.1, 309.2, 905

See application file for complete search history.

(56) **References Cited**

U.S. PATENT DOCUMENTS

D207,032 S	2/1967	Stall	
D263,911 S *	4/1982	Heinrichsdorff	D6/408
D313,899 S	1/1991	Barker et al.	
D328,532 S *	8/1992	Jensen	D6/408
D427,467 S *	7/2000	Akoto	D6/515
D435,379 S *	12/2000	Nguyen	D6/515
D444,646 S *	7/2001	Weisz et al.	D6/410
D461,669 S	8/2002	Cheng	

(Continued)

Primary Examiner — Brian N Vinson

(74) *Attorney, Agent, or Firm* — Dority & Manning, P.A.

(57) **CLAIM**

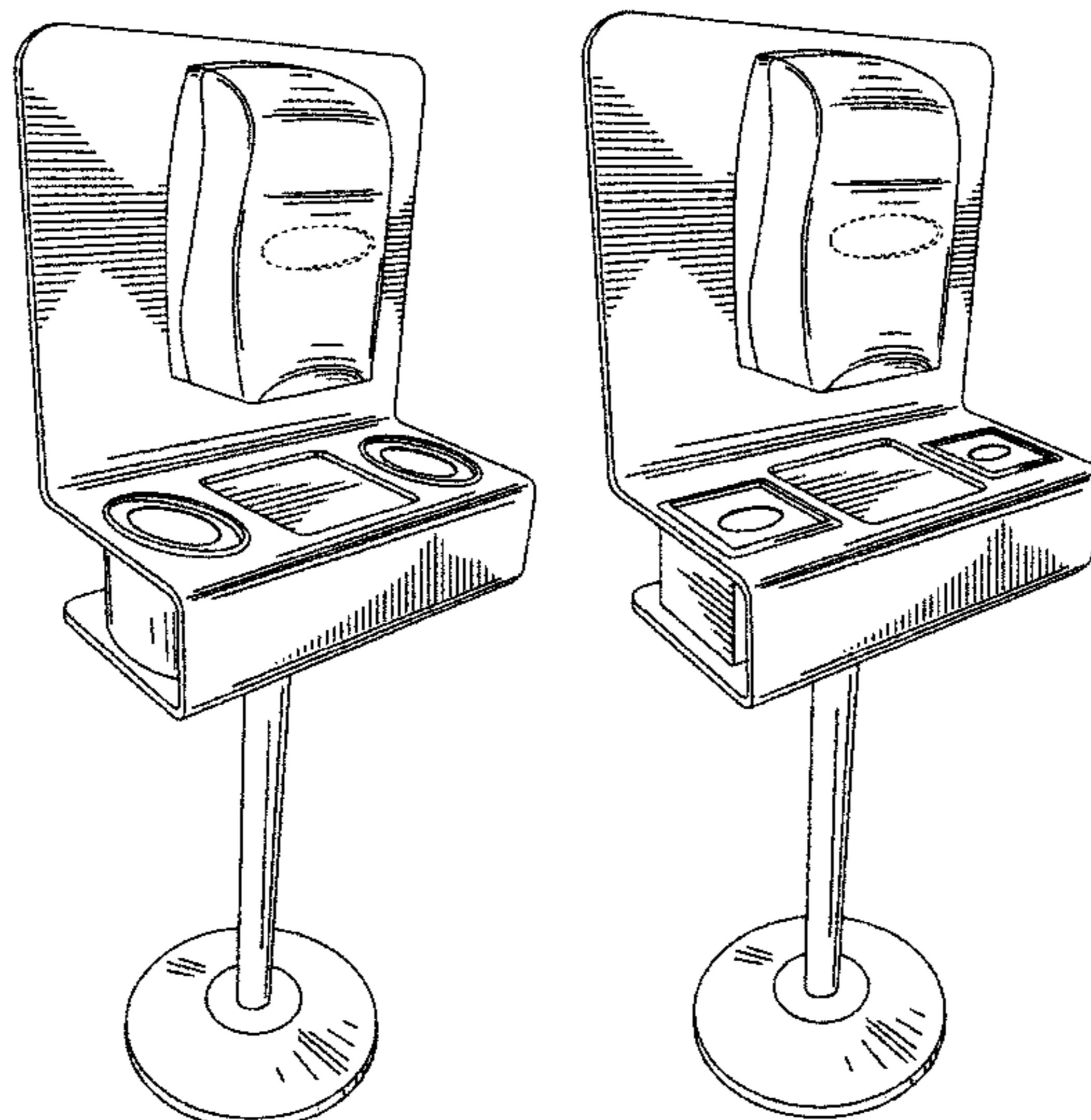
The ornamental design for a stand and dispenser for consumable paper products, such as tissues and folded towels, as shown and described.

DESCRIPTION

FIG. 1 is a perspective view of a first embodiment of a stand and dispenser combination embodying our new design; FIG. 2 is a front view of the stand and dispenser combination shown in FIG. 1; FIG. 3 is a back view of the stand and dispenser combination shown in FIG. 1; FIG. 4 is a side view of a first side of the stand shown in FIG. 1; FIG. 5 is a side view of a second side of the stand and dispenser combination shown in FIG. 1; FIG. 6 is a top view of the stand and dispenser combination shown in FIG. 1; FIG. 7 is a bottom view of the stand and dispenser combination shown in FIG. 1; FIG. 8 is a perspective view of a second embodiment of a stand and dispenser combination embodying our new design; FIG. 9 is a front view of the stand and dispenser combination shown in FIG. 8; FIG. 10 is a back view of the stand and dispenser combination shown in FIG. 8; FIG. 11 is a side view of a first side of the stand and dispenser combination shown in FIG. 8; FIG. 12 is a side view of a second side of the stand and dispenser combination shown in FIG. 8; FIG. 13 is a top view of the stand and dispenser combination shown in FIGS. 8; and, FIG. 14 is a bottom view of the stand and dispenser combination shown in FIG. 8.

The broken lines in the drawings represent unclaimed environmental subject matter illustrating the design in use and form no part of the claim.

1 Claim, 10 Drawing Sheets



US D675,037 S

Page 2

U.S. PATENT DOCUMENTS

D463,183 S *	9/2002	Tramontina	D6/515	D597,356 S *	8/2009	Storz	D6/545
D472,730 S *	4/2003	Sparkowski	D6/408	D642,410 S *	8/2011	Vaults, Jr.	D6/524
D476,835 S *	7/2003	Lai	D6/523	D655,962 S *	3/2012	Cittadino	D6/545

* cited by examiner

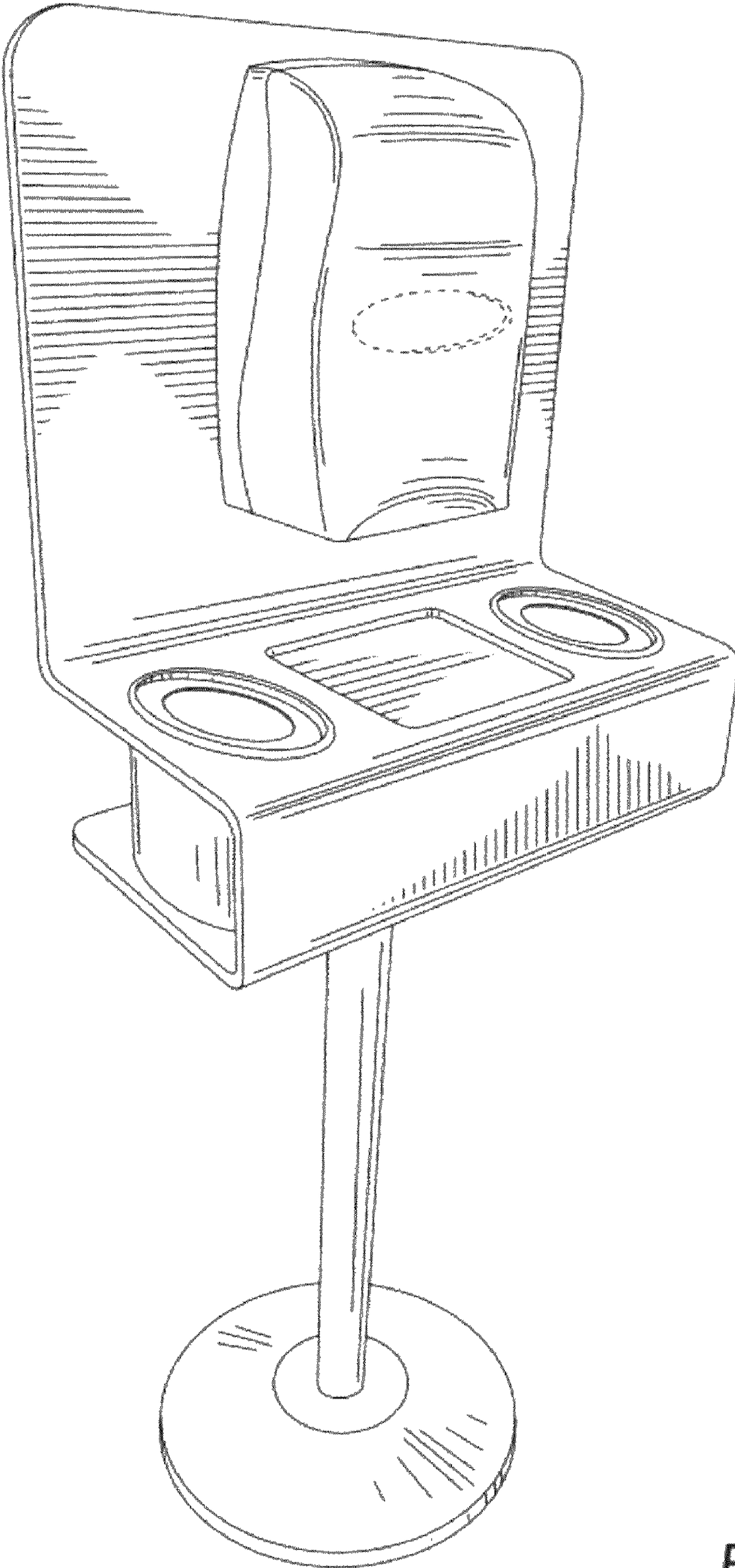


FIG. 1

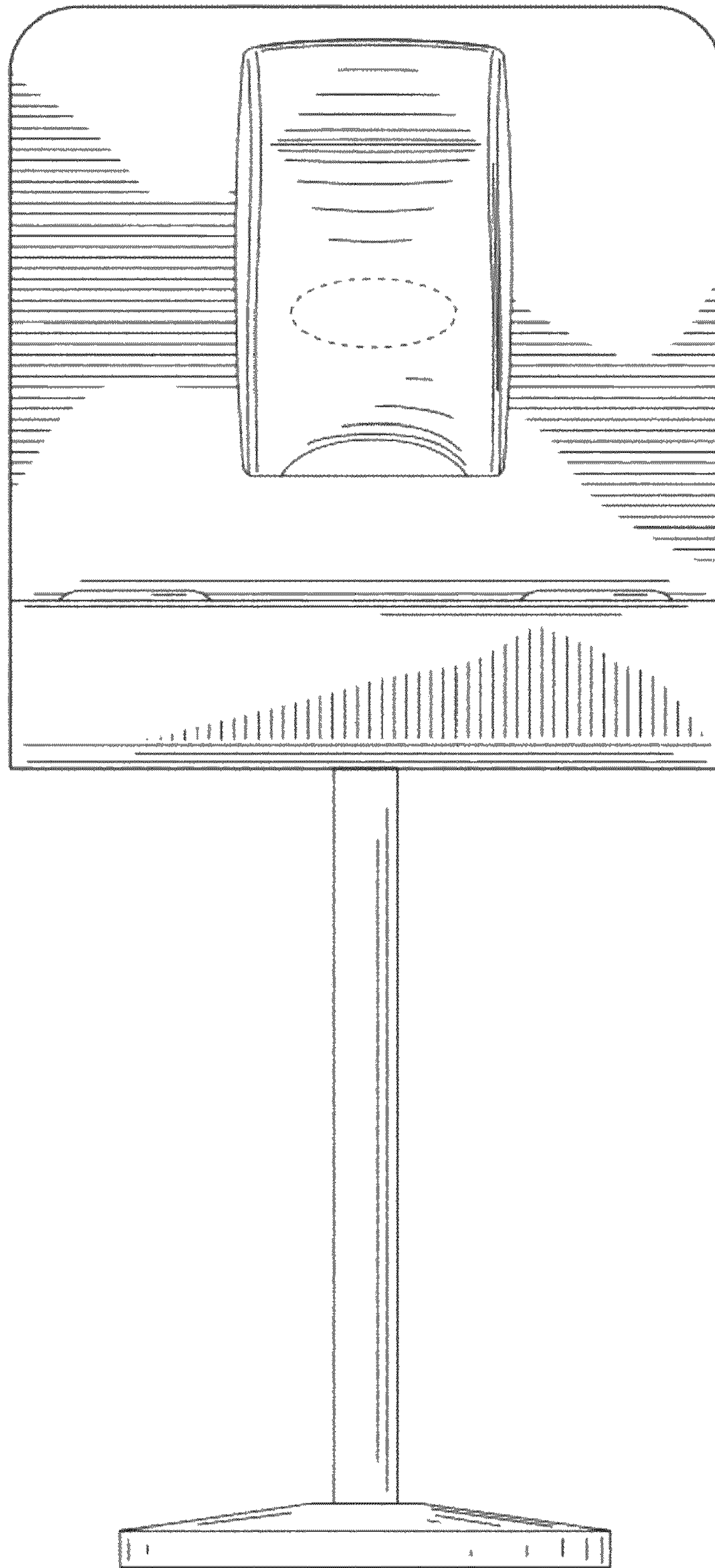


FIG. 2

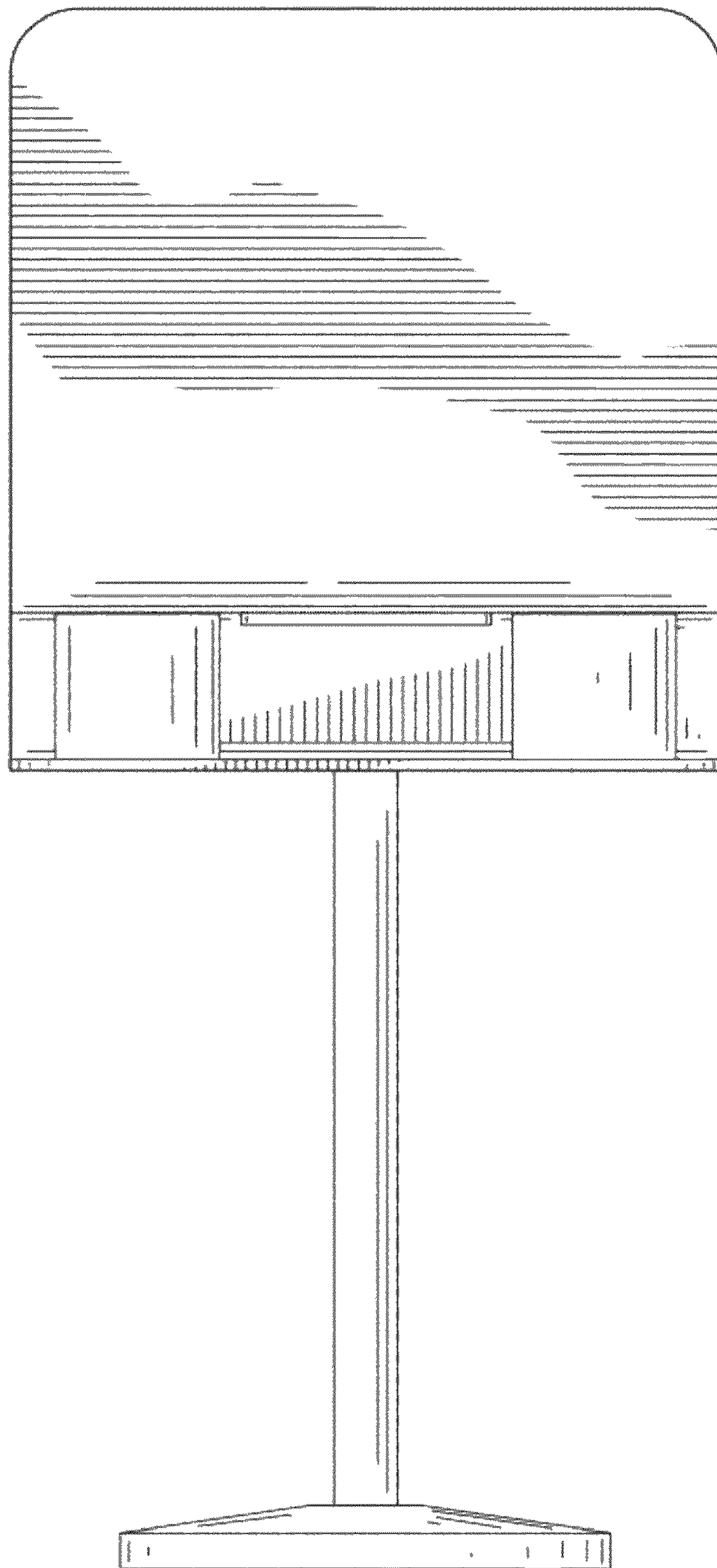


FIG. 3

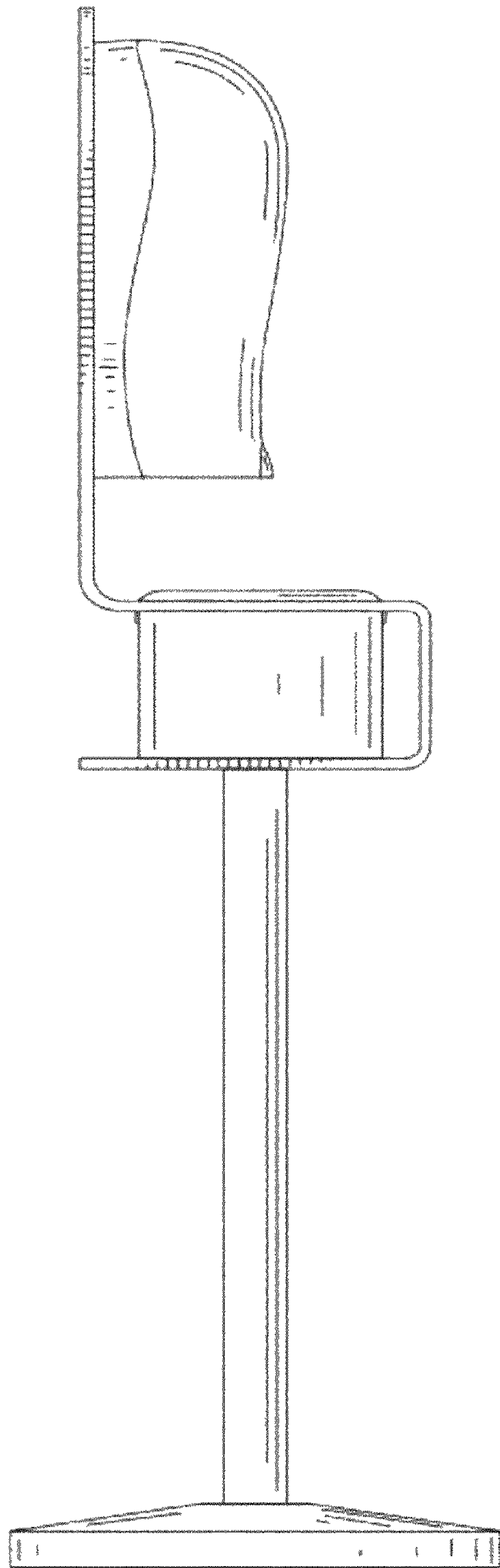


FIG. 4

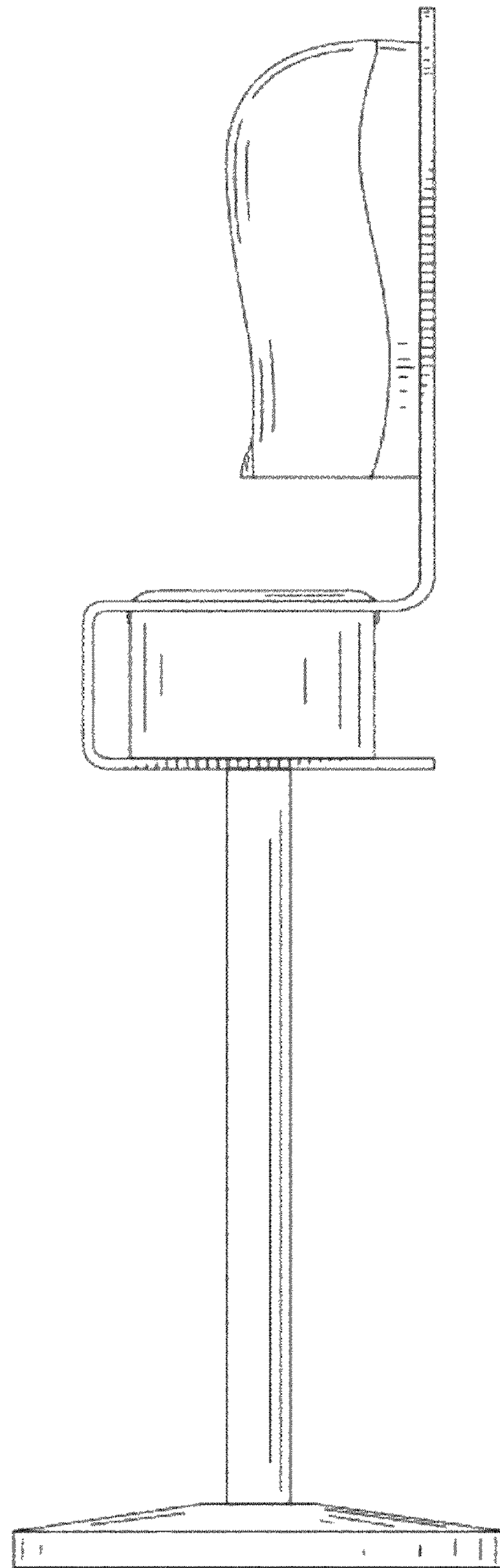


FIG. 5

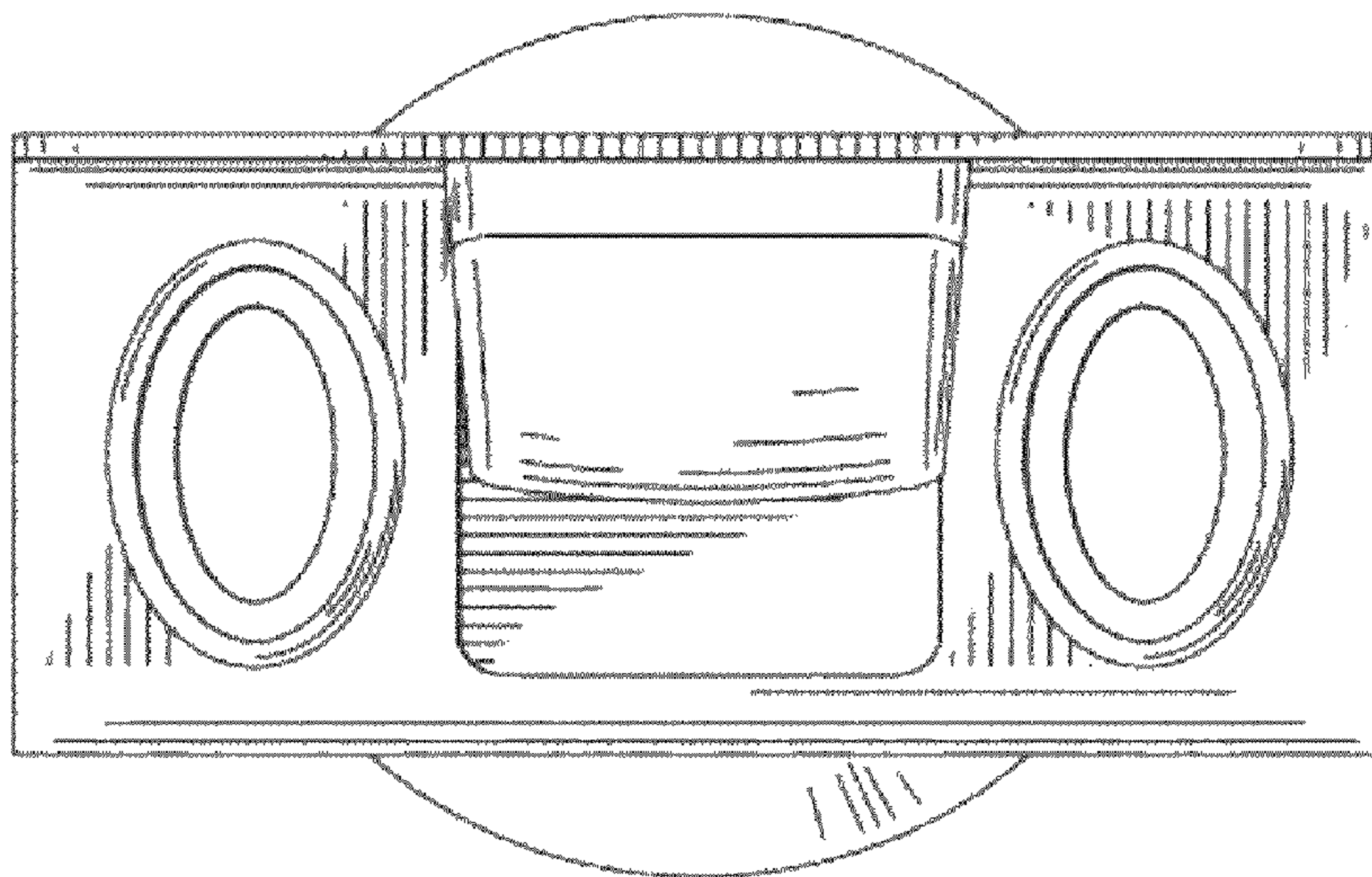


FIG. 6

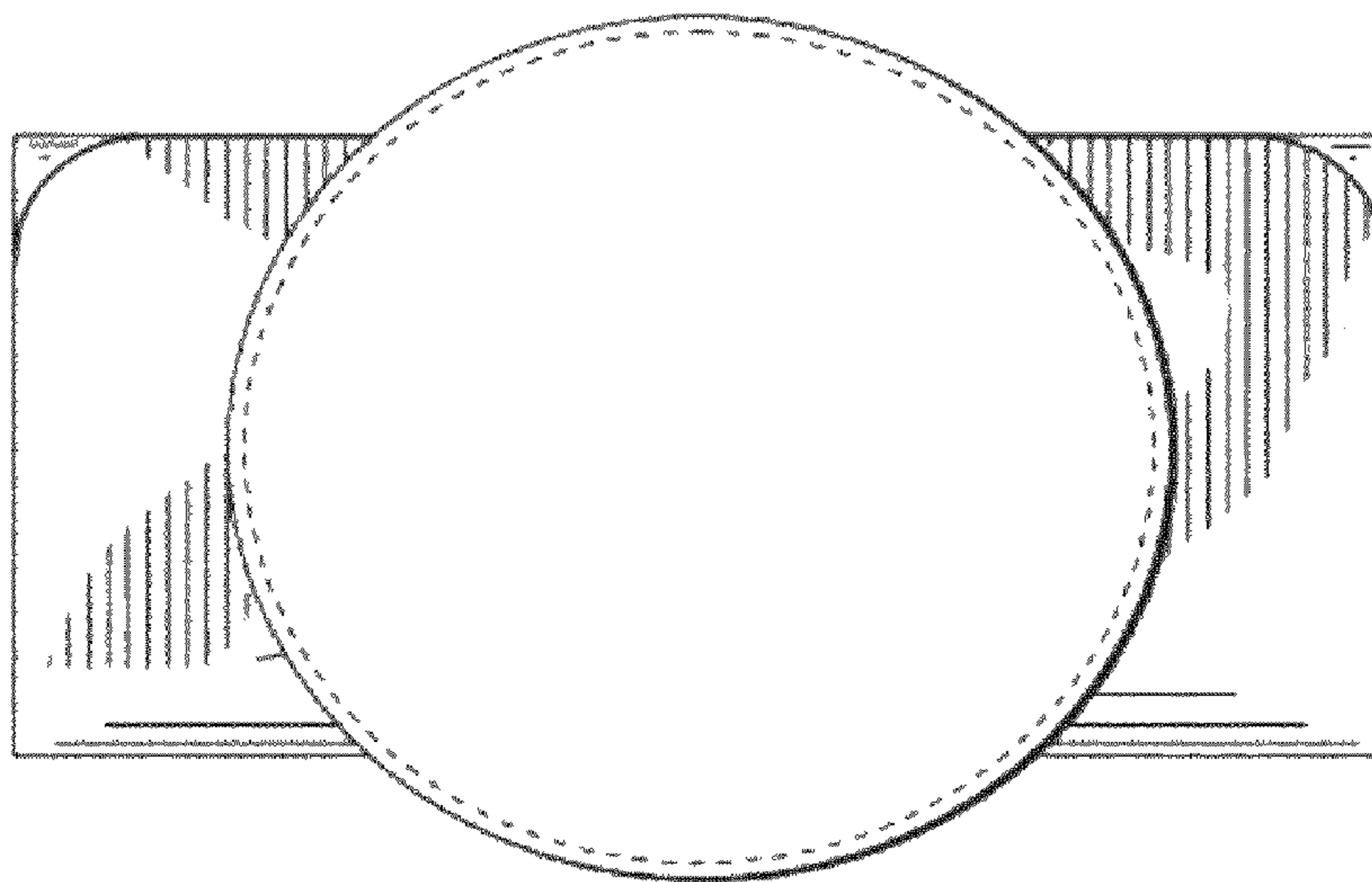


FIG. 7

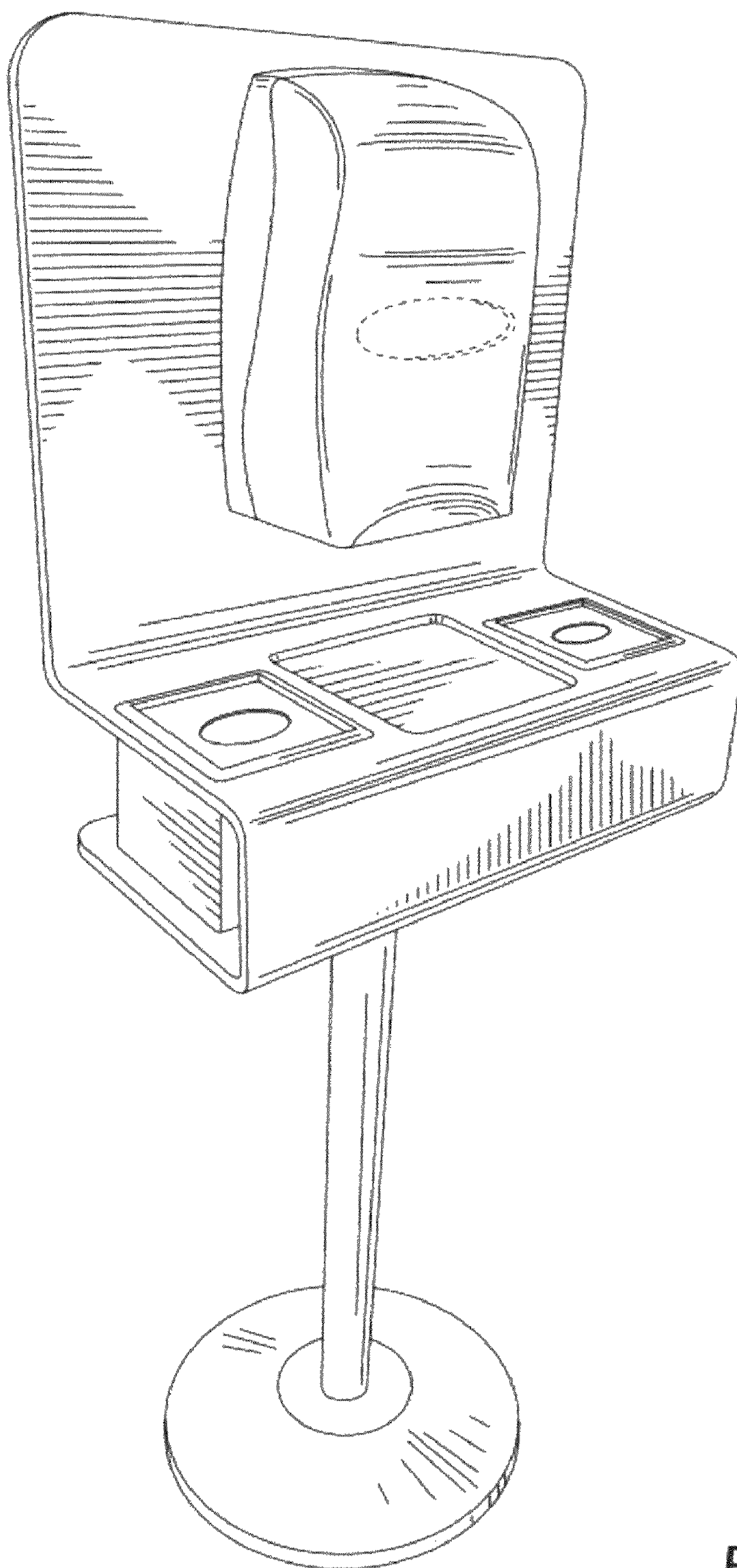


FIG. 8

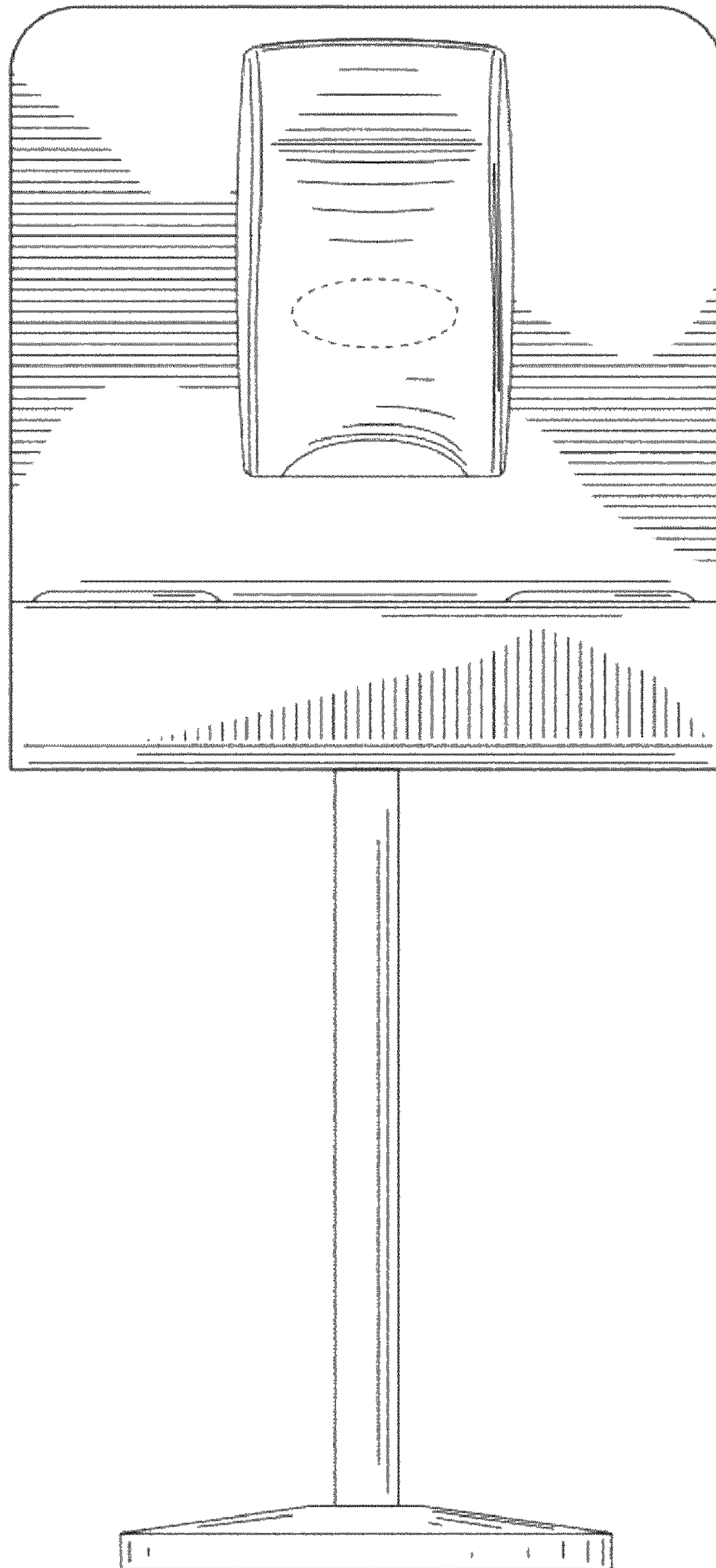


FIG. 9

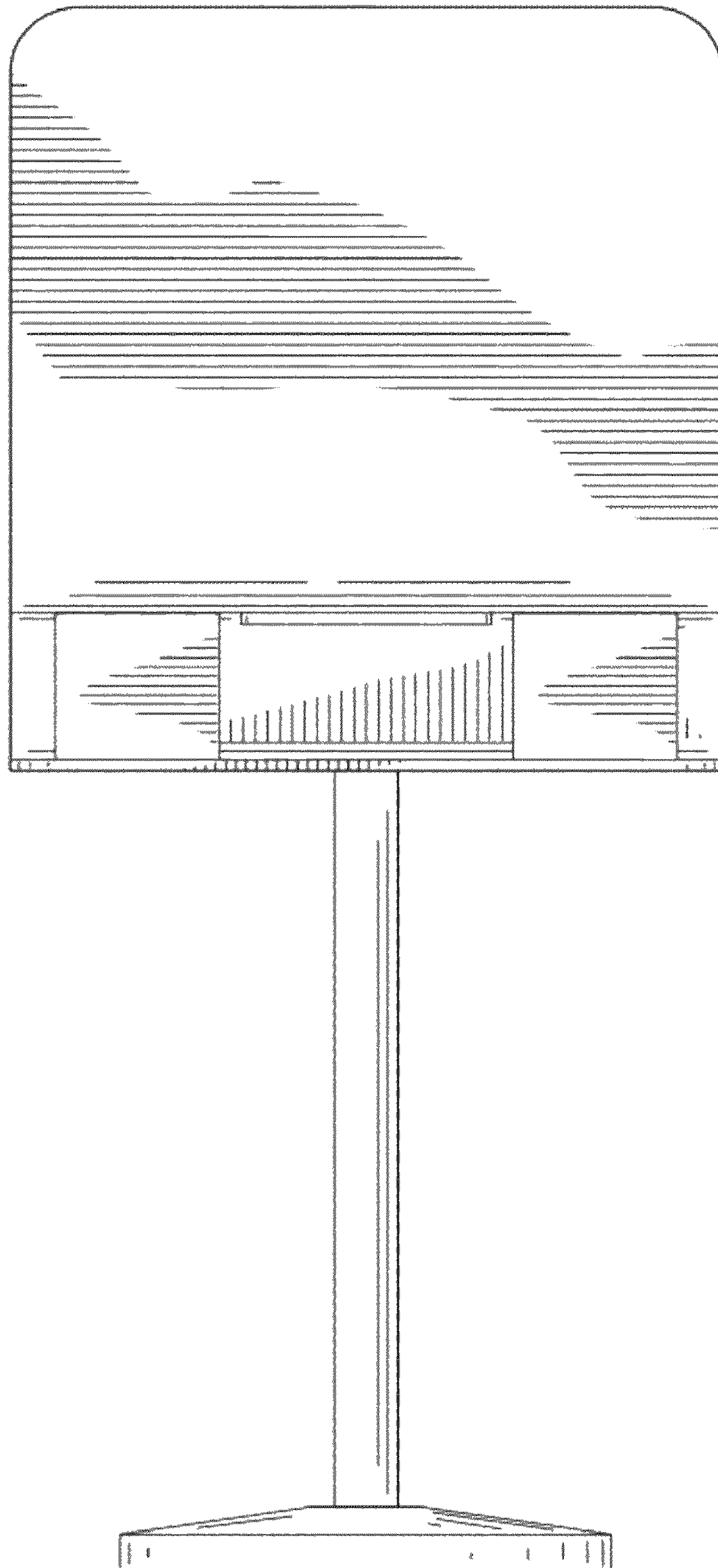


FIG. 10

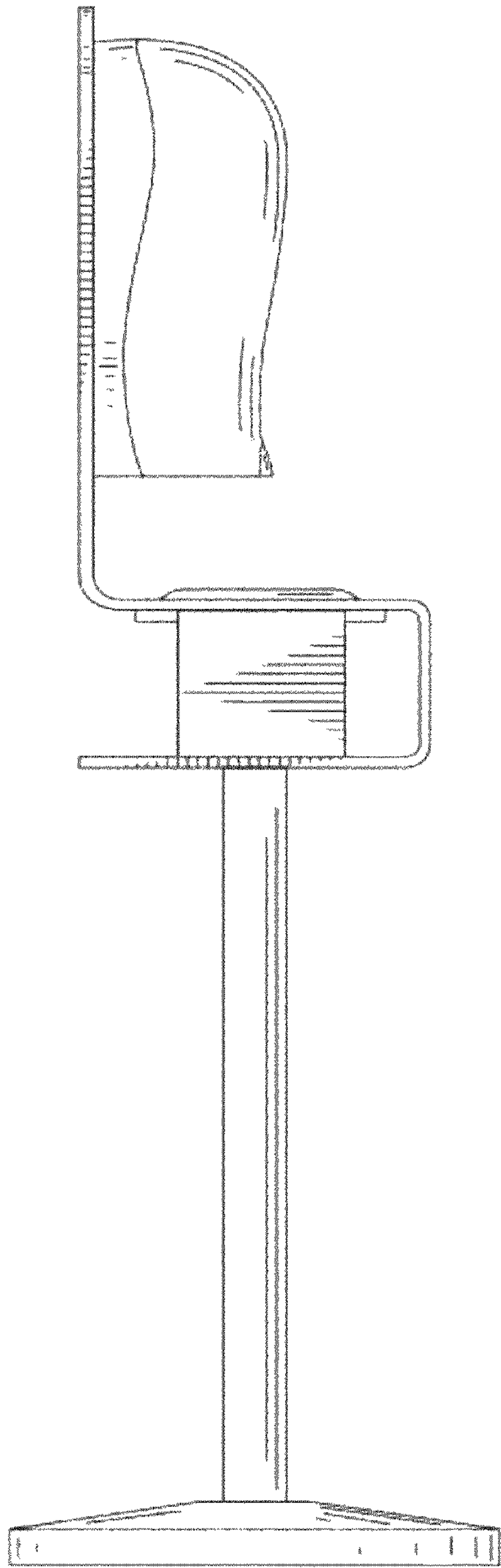


FIG. 11

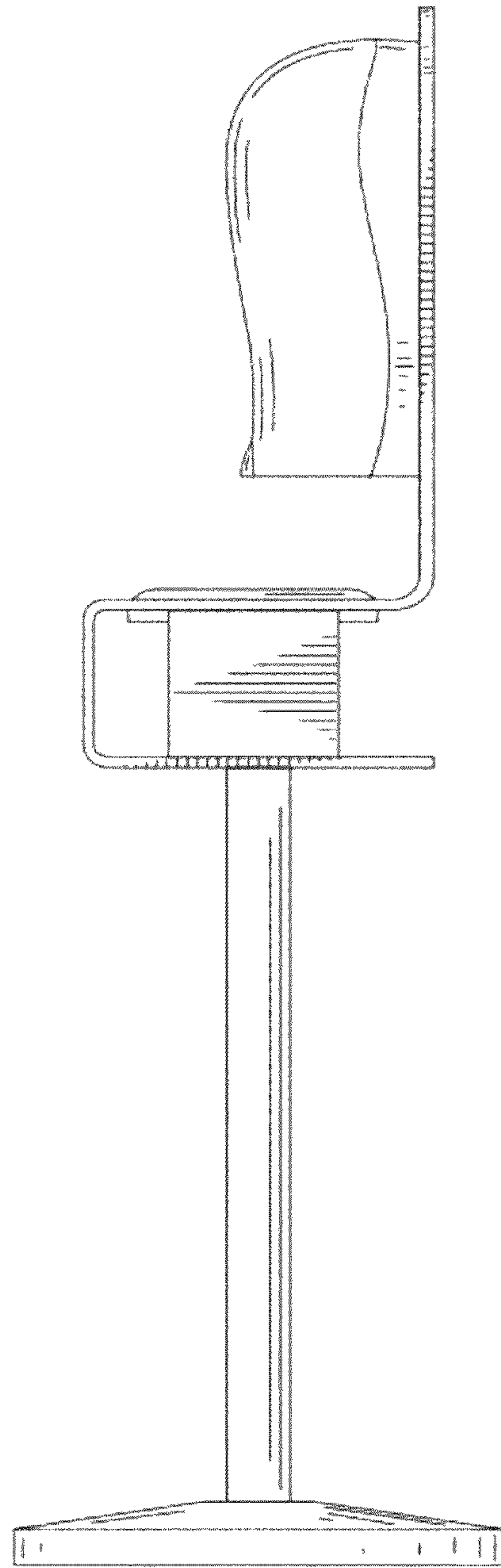


FIG. 12

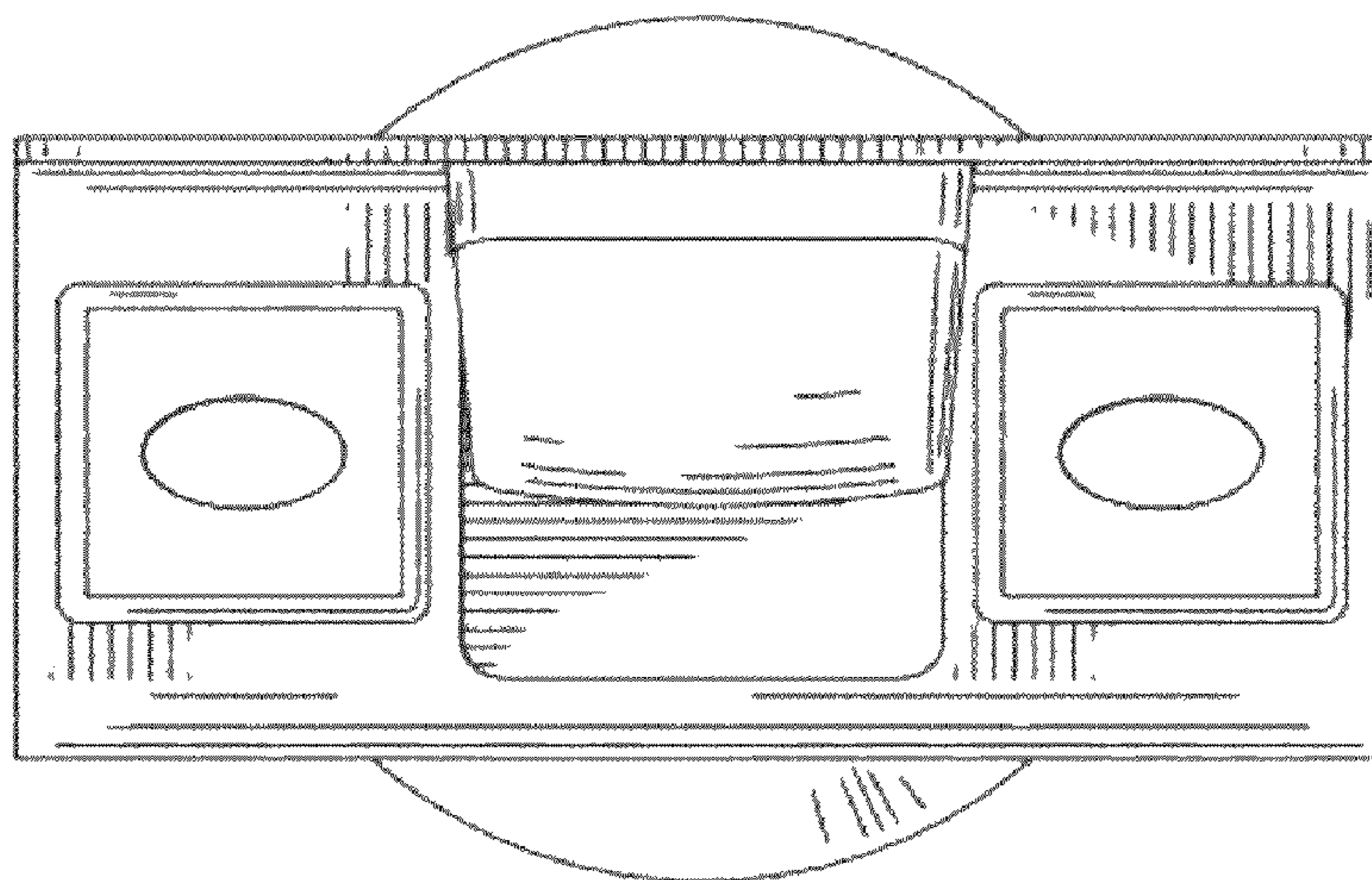


FIG. 13

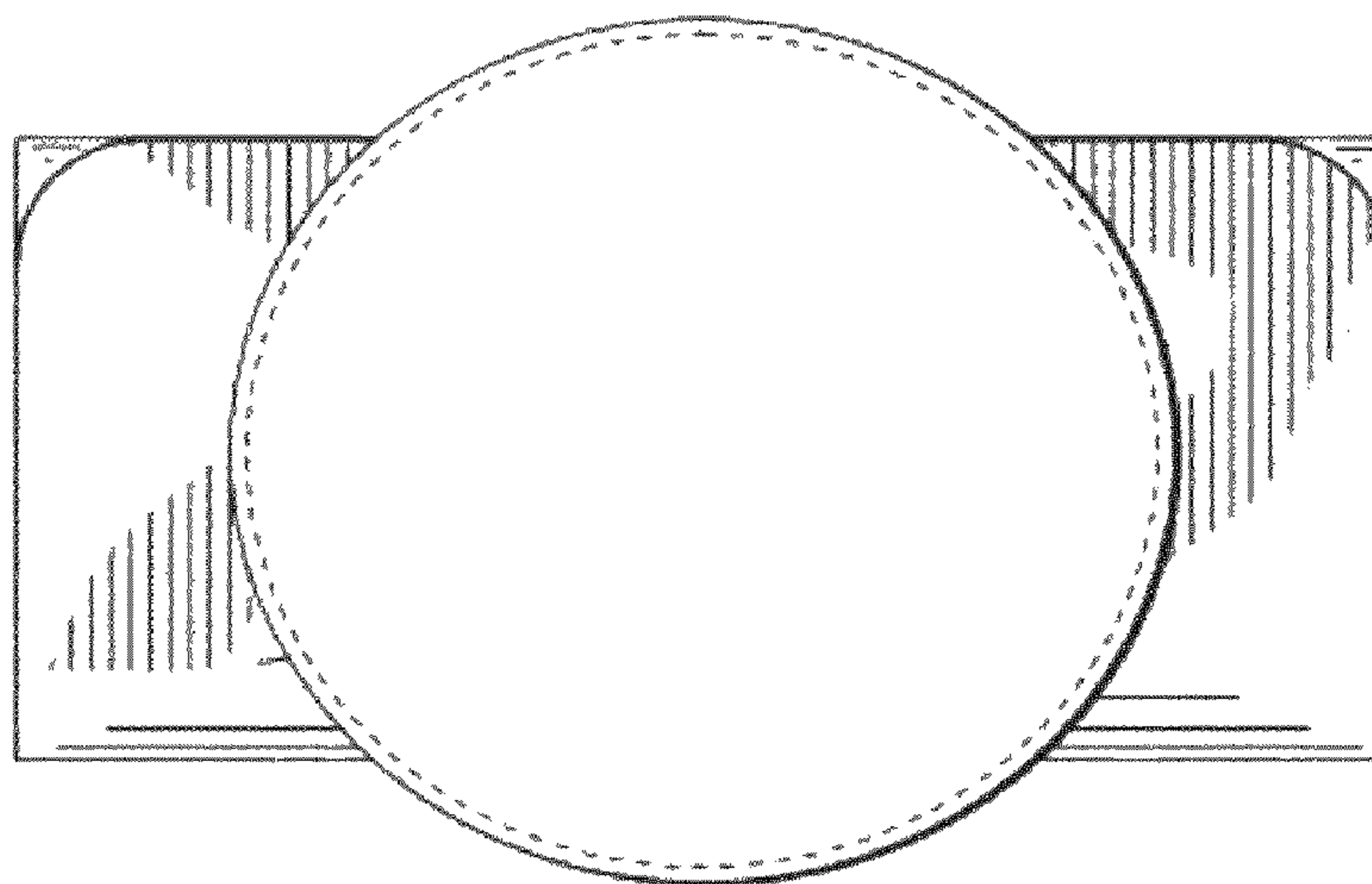


FIG. 14