



US00D675034S

(12) **United States Design Patent**
Beda et al.

(10) **Patent No.:** **US D675,034 S**
(45) **Date of Patent:** **** Jan. 29, 2013**

(54) **BABY SEAT**

(75) Inventors: **Richard Beda**, West Long Branch, NJ (US); **Edwin Livian**, Great Neck, NY (US)

(73) Assignee: **Gum Drops LLC**, New York, NY (US)

(**) Term: **14 Years**

(21) Appl. No.: **29/425,694**

(22) Filed: **Jun. 26, 2012**

(51) **LOC (9) Cl.** **06-01**

(52) **U.S. Cl.** **D6/333**

(58) **Field of Classification Search** D6/333-335, D6/339, 491, 500-502, 344, 374; 4/572.1, 4/571.1, 578.1, 586, 590; 297/183.1-183.4, 297/184.13, 184.17, 250.1, 256.1, 467, 487, 297/488; D21/419, 412

See application file for complete search history.

(56) **References Cited**

U.S. PATENT DOCUMENTS

D283,855 S *	5/1986	Kujawski	D6/333
D327,175 S *	6/1992	Mariol	D6/335
D376,919 S *	12/1996	Sedlack	D6/333
D553,865 S *	10/2007	Buitendach	D6/333
D592,865 S *	5/2009	Yeung	D6/333
D623,426 S *	9/2010	Ramer et al.	D6/333

D630,448 S *	1/2011	Xu et al.	D6/333
D652,221 S *	1/2012	Lee	D6/333
D658,394 S *	5/2012	Debevec et al.	D6/333

* cited by examiner

Primary Examiner — Caron D Veynar

Assistant Examiner — Abraham Bahta

(74) *Attorney, Agent, or Firm* — Pearl Cohen Zedek Latzer, LLP

(57) **CLAIM**

The ornamental design for a baby seat, as shown and described.

DESCRIPTION

FIG. 1 is a front, top, left side perspective view of the baby seat;

FIG. 2 is a front elevational view of the baby seat;

FIG. 3 is a back elevational view of the baby seat;

FIG. 4 is a right side elevational view of the baby seat;

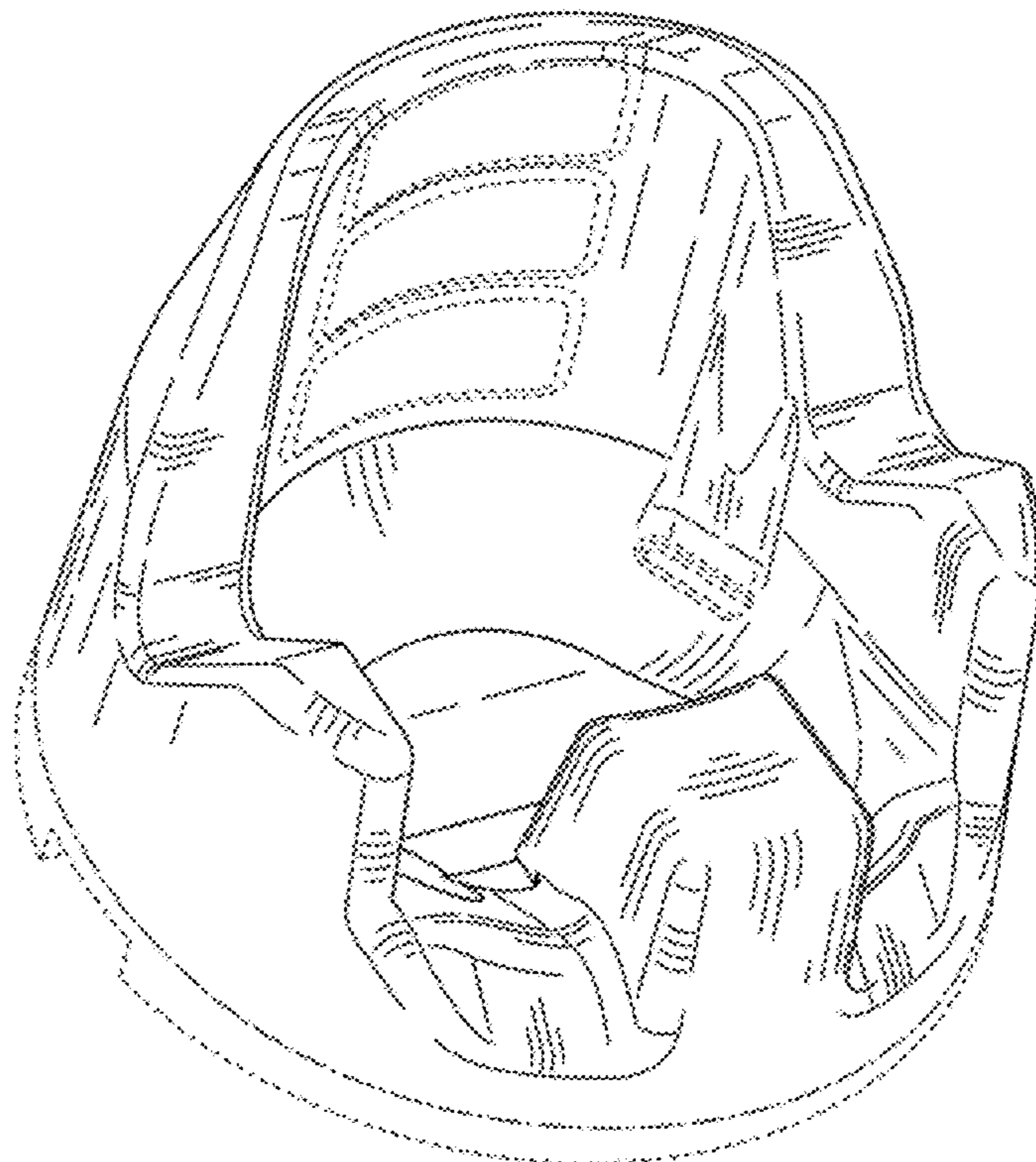
FIG. 5 is a left side elevational view of the baby seat;

FIG. 6 is a top plan view of the baby seat; and,

FIG. 7 is a bottom plan view of the baby seat.

The dot-dash-dot lines represent the boundary of the claimed design and the dashed lines show the base of the seat and 5 oblong shapes which are portions of the seat forming no part of the claimed design.

1 Claim, 4 Drawing Sheets



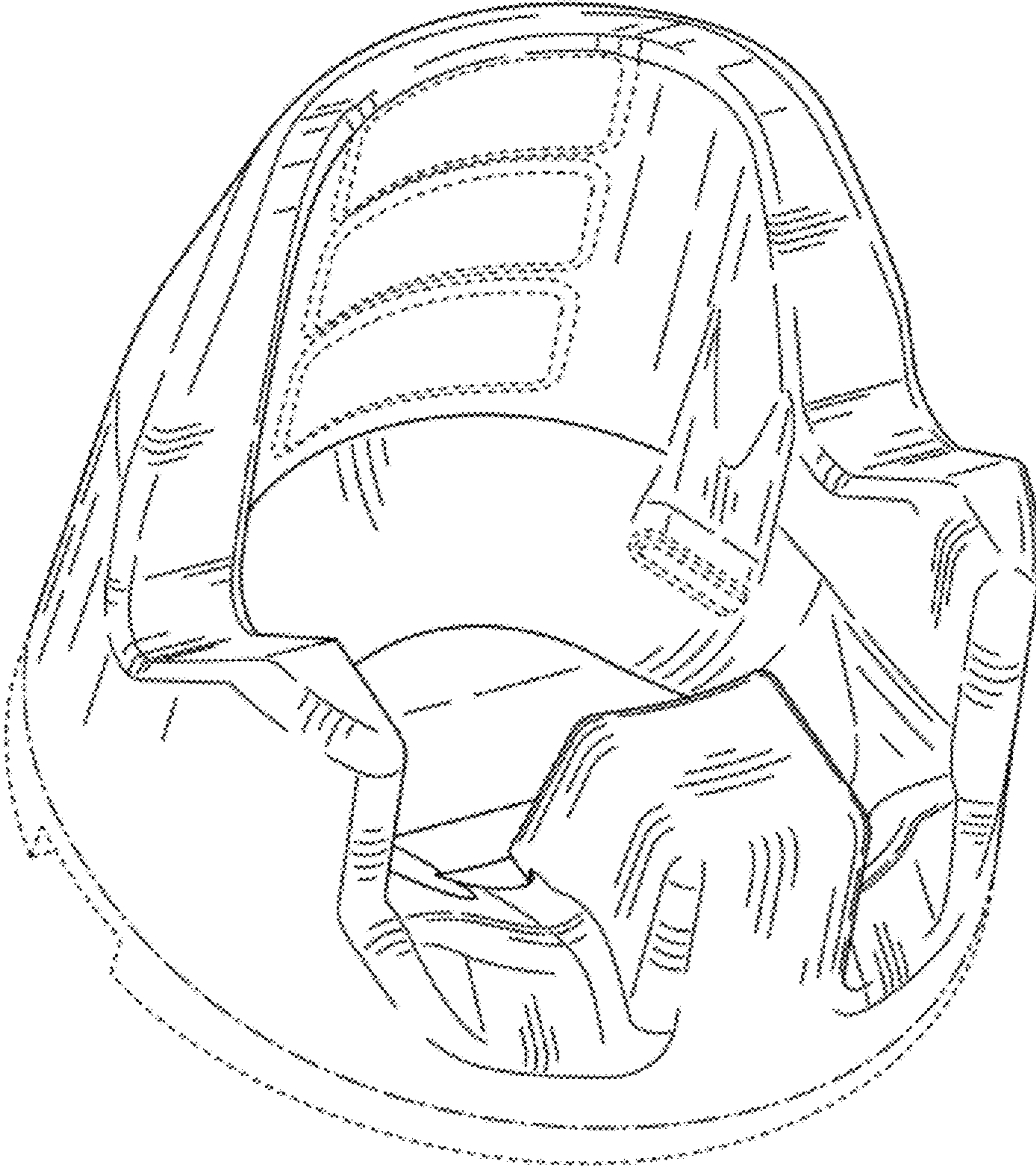


FIG. 1

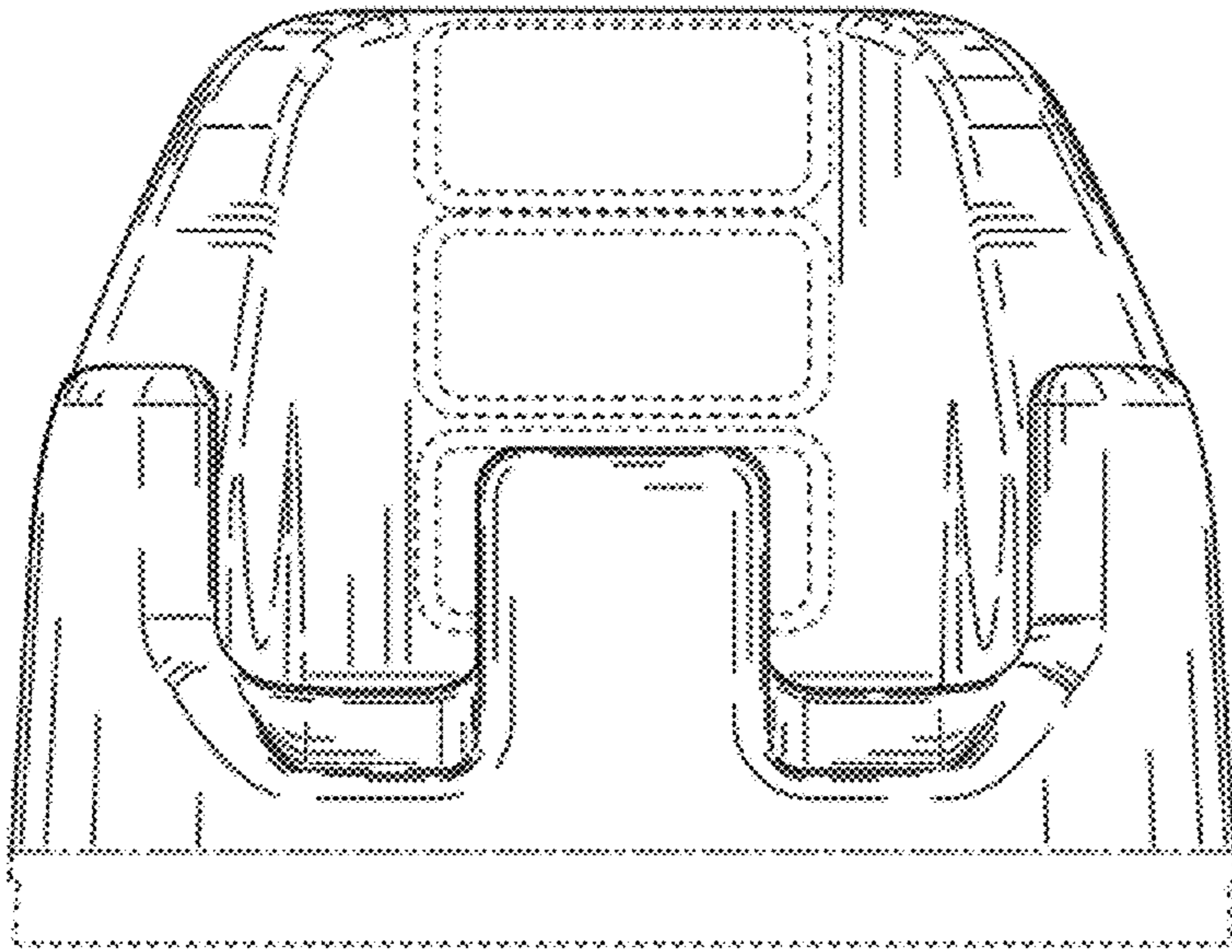


FIG. 2

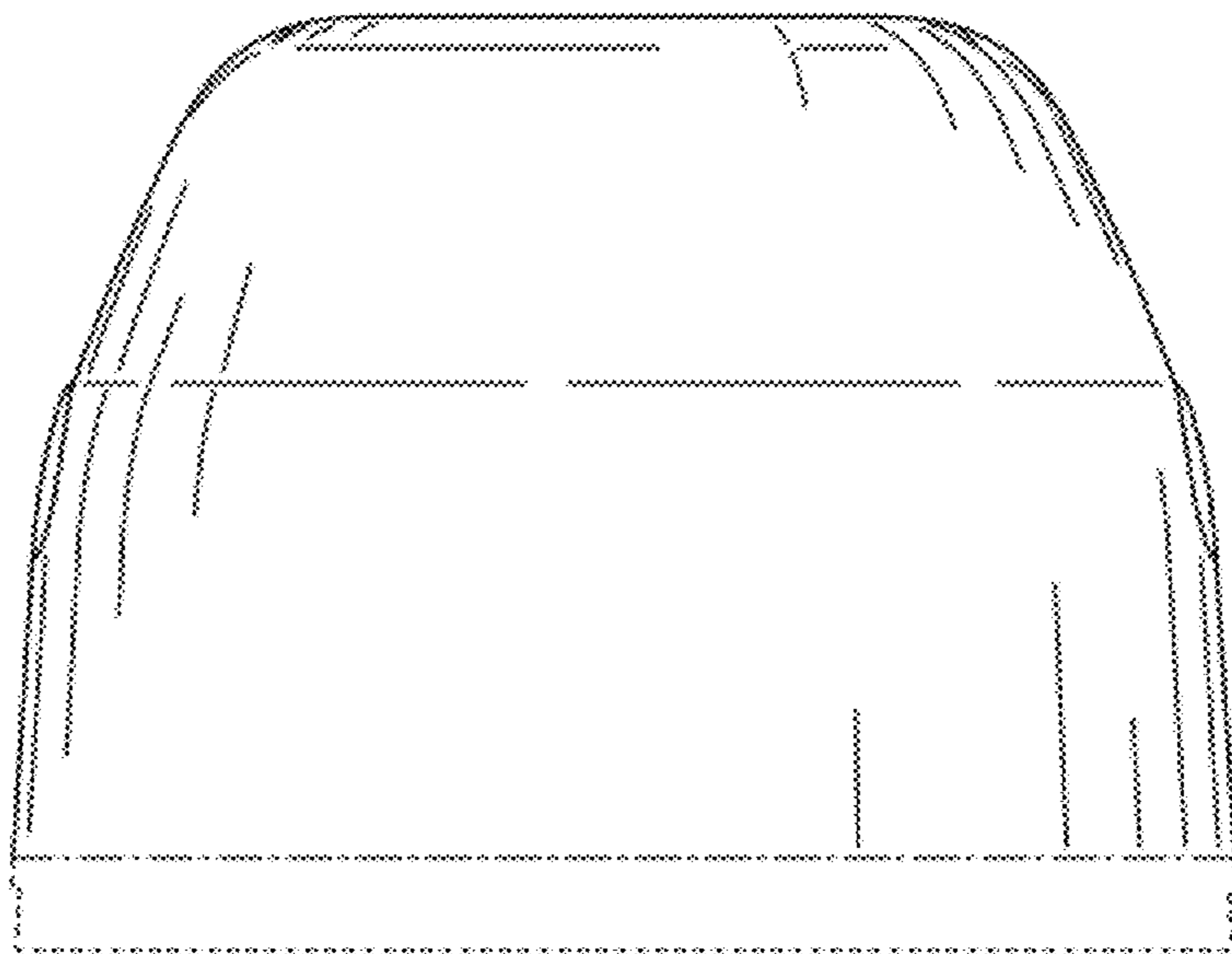


FIG. 3

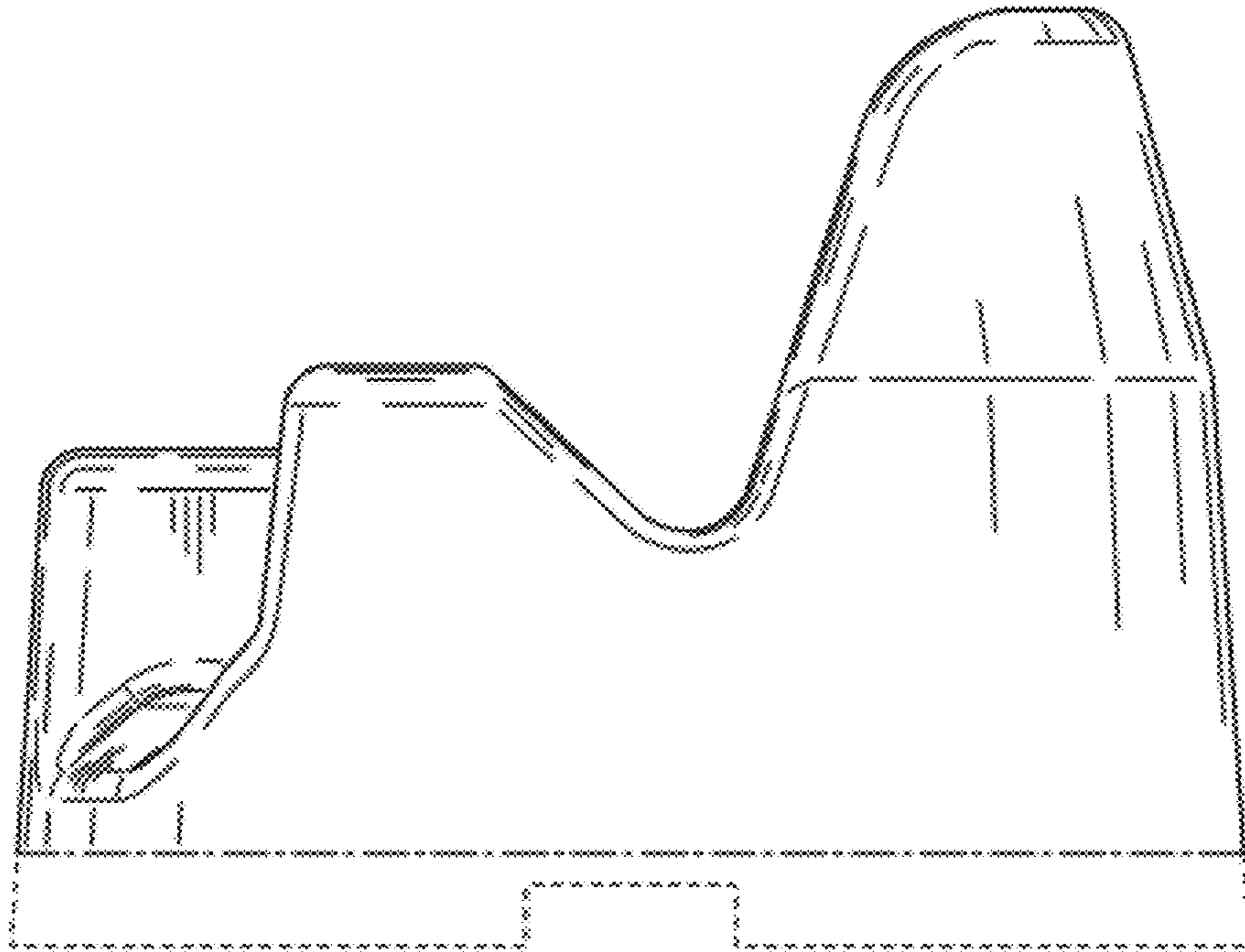


FIG. 4

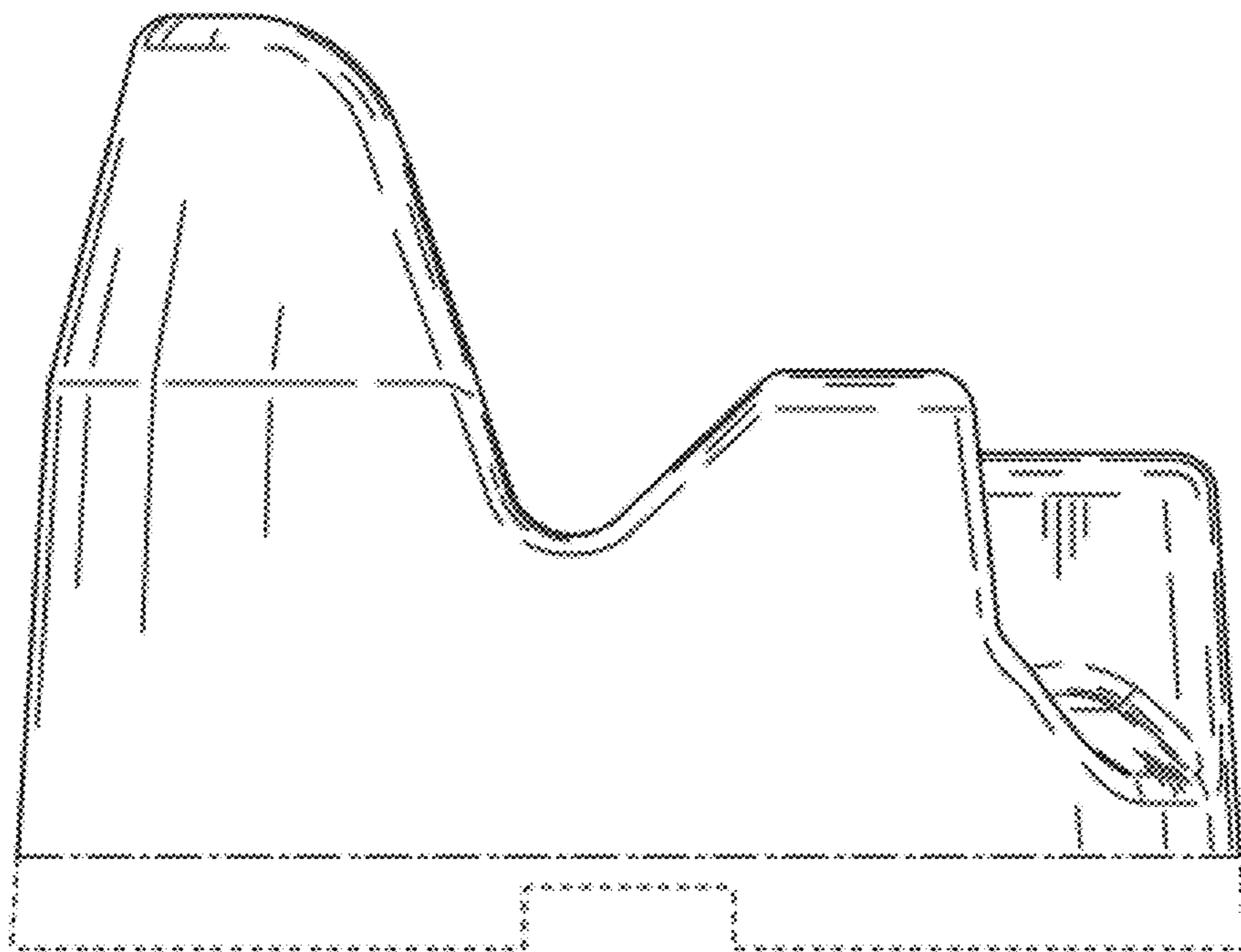


FIG. 5

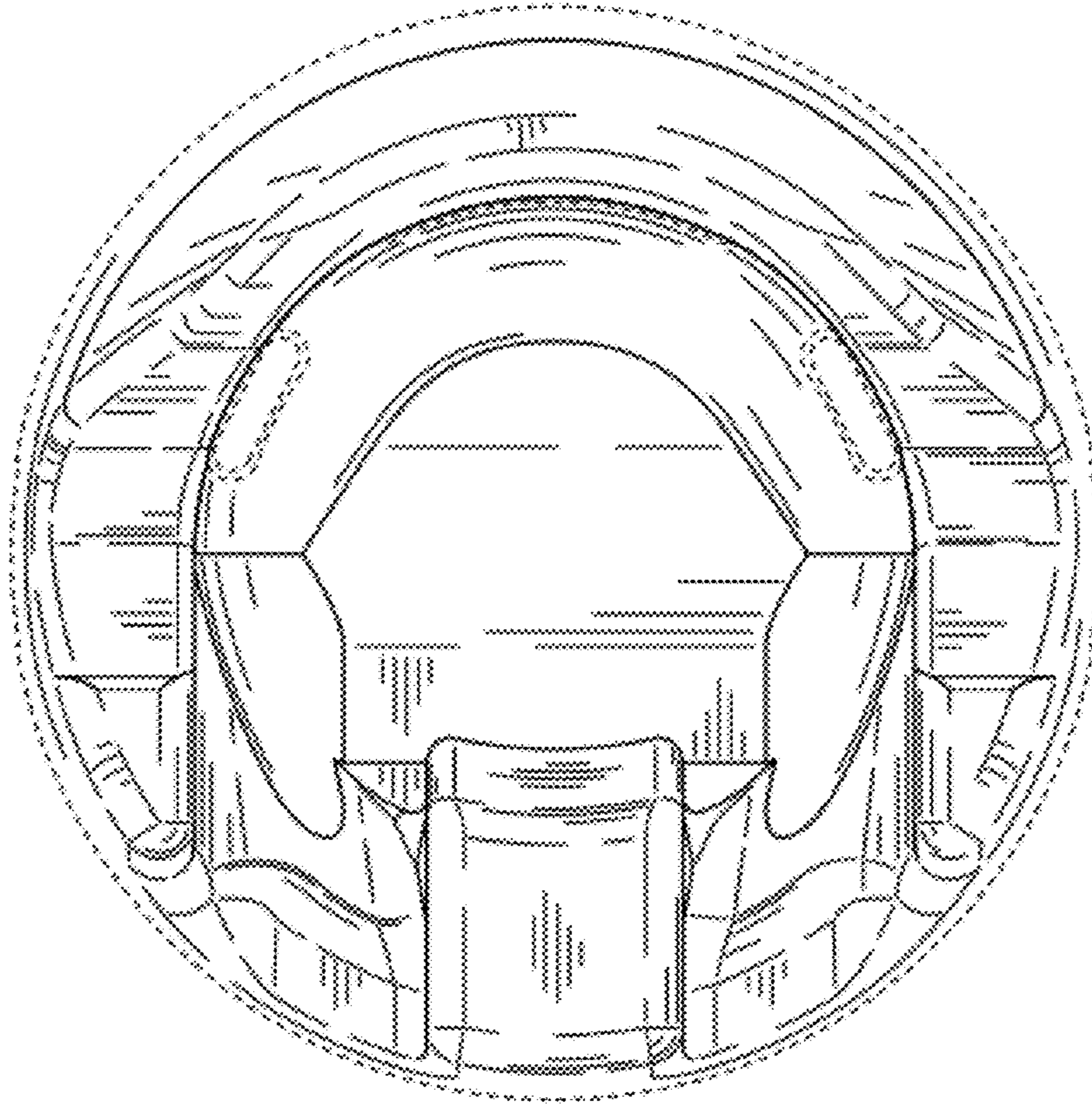


FIG. 6

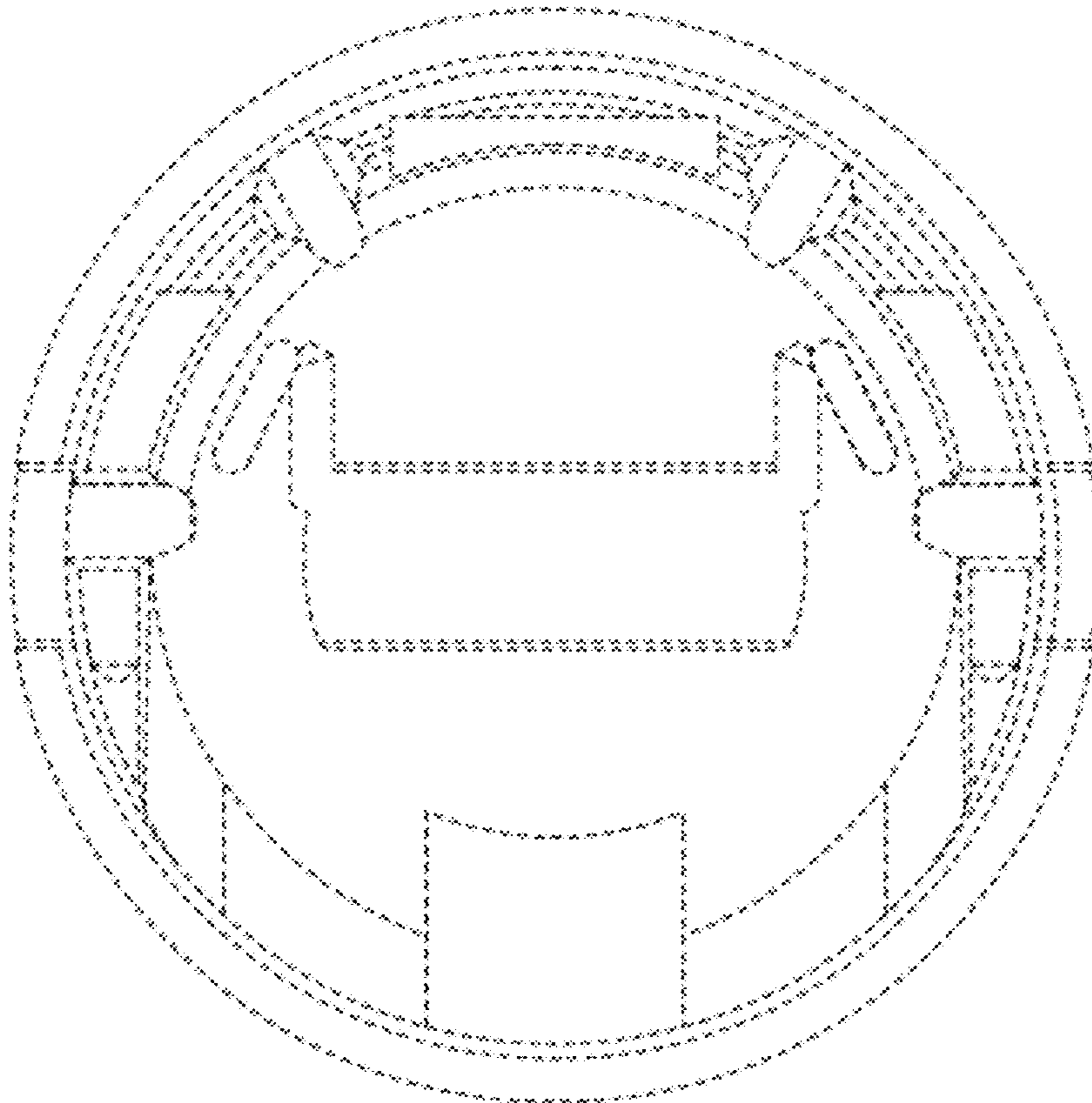


FIG. 7