



US00D675025S

(12) **United States Design Patent**
Messenger

(10) **Patent No.:** **US D675,025 S**
(45) **Date of Patent:** **** Jan. 29, 2013**

- (54) **TOOTHBRUSH HANDLE**
- (76) Inventor: **Edward Messenger**, Manchester (GB)
- (**) Term: **14 Years**
- (21) Appl. No.: **29/424,175**
- (22) Filed: **Jun. 8, 2012**
- (51) **LOC (9) Cl.** **04-02**
- (52) **U.S. Cl.** **D4/107; D4/126**
- (58) **Field of Classification Search** D4/101,
D4/107, 124, 126, 138; 15/143.1, 167.1,
15/167.2; 132/308-311; 601/139, 141, 142;
D8/103, 305; D21/623, 649
See application file for complete search history.

(56) **References Cited**

U.S. PATENT DOCUMENTS

D457,002	S	*	5/2002	Messenger et al.	D4/107
D459,583	S	*	7/2002	Messenger et al.	D4/107
D463,915	S	*	10/2002	Toyama	D4/107
D465,334	S	*	11/2002	Messenger et al.	D4/107

OTHER PUBLICATIONS

CN 301024314 Registered Design Application, (Pang Hanqiao) Sep. 30, 2009, [online], [retrieved on Sep. 9, 2012] Retrieved from the Questel Intellectual Property Portal Design Database using the Internet: <URL: <http://www.orbit.com>>.*

DE 40005187-0011 Registered Design Application (Coronet-Werke GmbH) Sep. 9, 2000, [online], [retrieved on May 21, 2010]. Retrieved from the Designs Register of the German Patent and Trade Mark Office using the Internet: <URL: <http://register.dmpa.de>>.*

* cited by examiner

Primary Examiner — Melanie H Tung

Assistant Examiner — Lavone D Tabor

(74) *Attorney, Agent, or Firm* — Shumaker, Loop & Kendrick, LLP

(57) **CLAIM**

The ornamental design for a toothbrush handle, as shown and described.

DESCRIPTION

FIG. 1 is a front perspective view of a toothbrush handle showing the new design;

FIG. 2 is a right side view thereof, the left side being a mirror image of the right side;

FIG. 3 is a front view thereof;

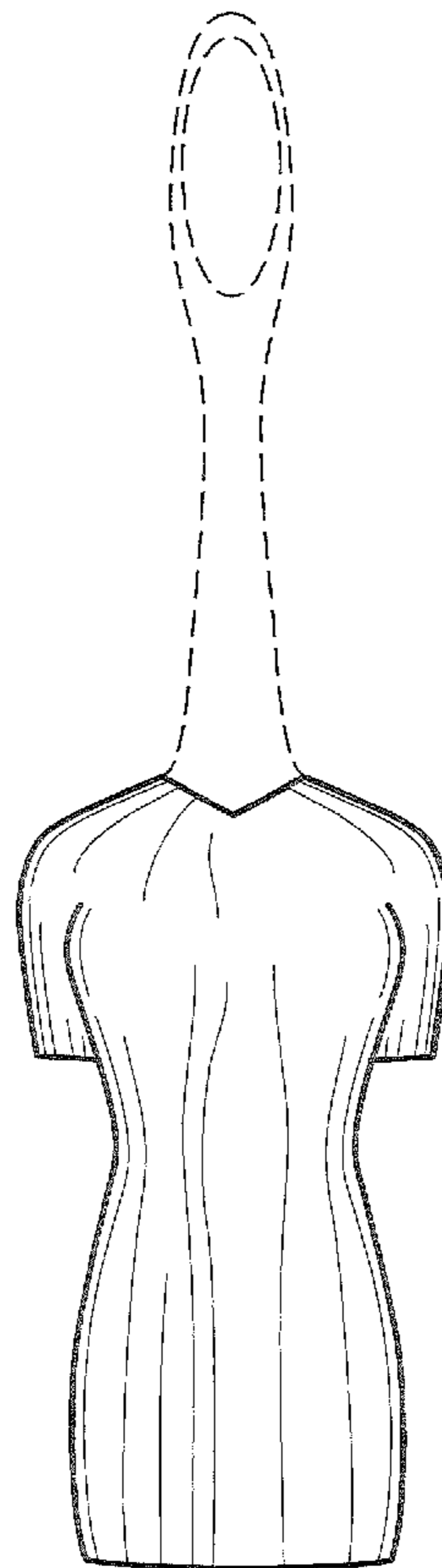
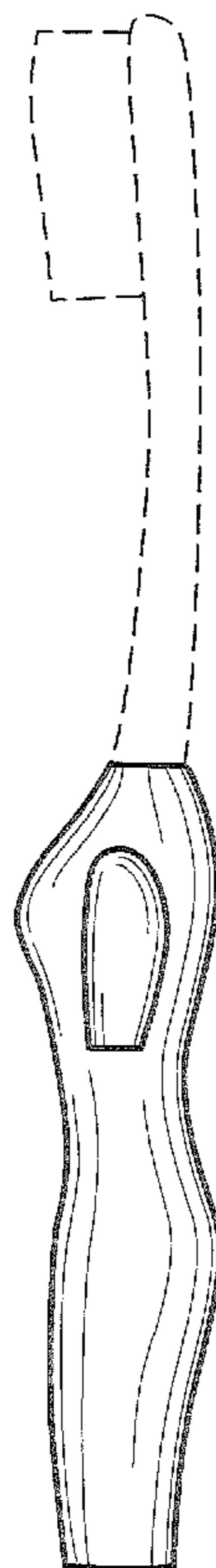
FIG. 4 is a back view thereof;

FIG. 5 is an enlarged top view thereof; and,

FIG. 6 is an enlarged bottom view thereof.

The broken line showing of a brush head is for the purpose of illustrating environmental structure that forms no part of the claimed design.

1 Claim, 3 Drawing Sheets



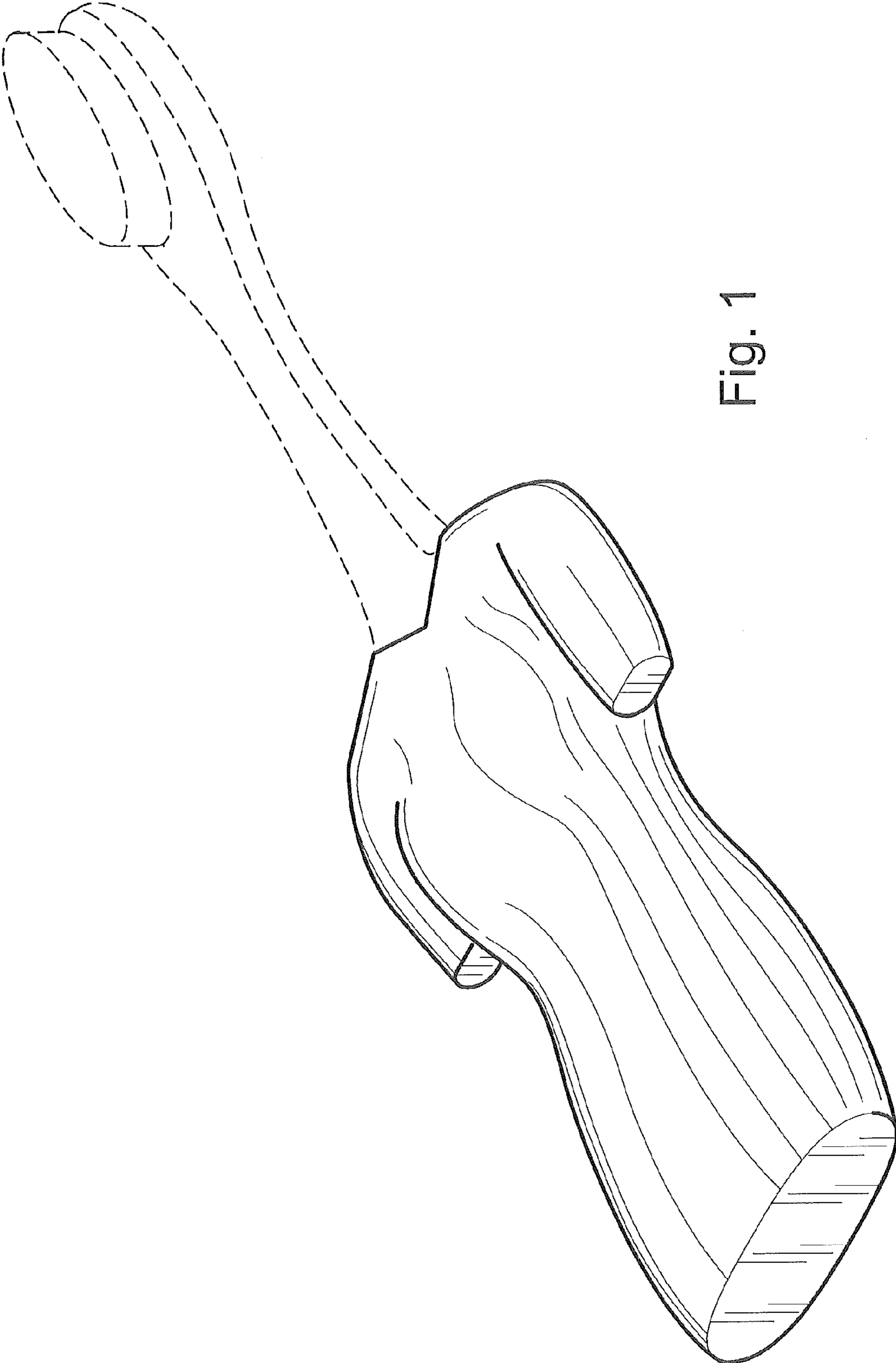


Fig. 1

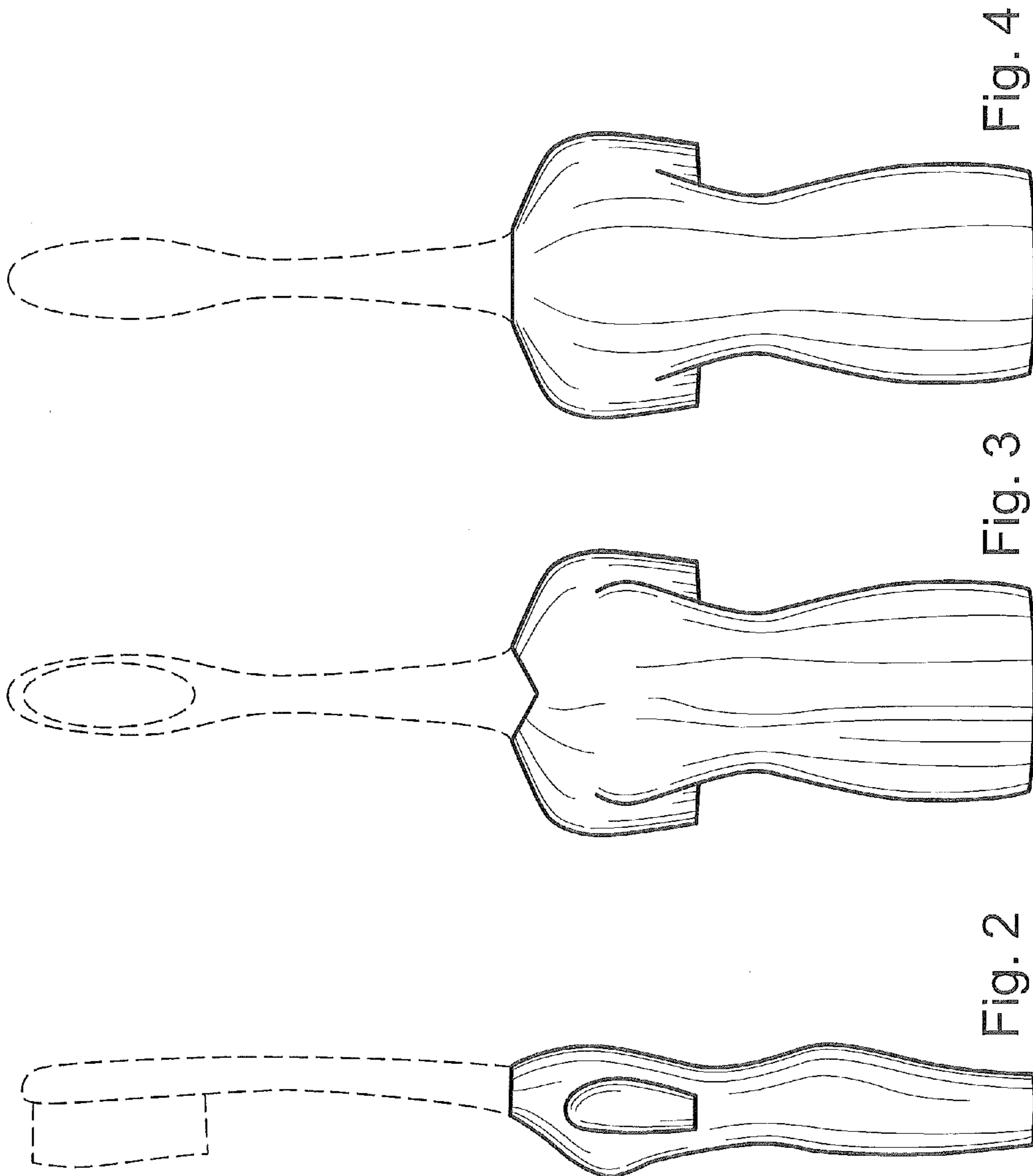


Fig. 4

Fig. 3

Fig. 2

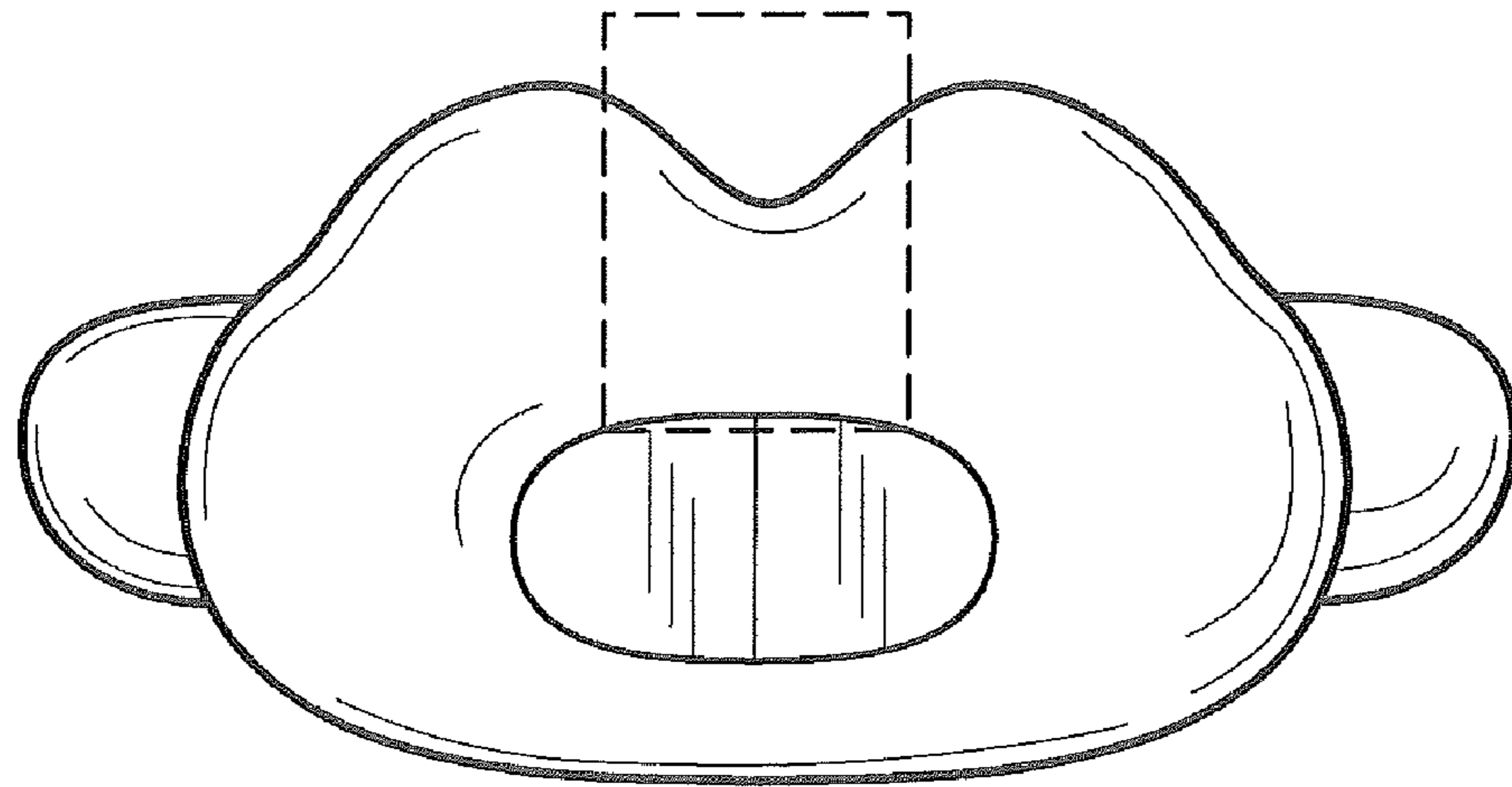


Fig. 5

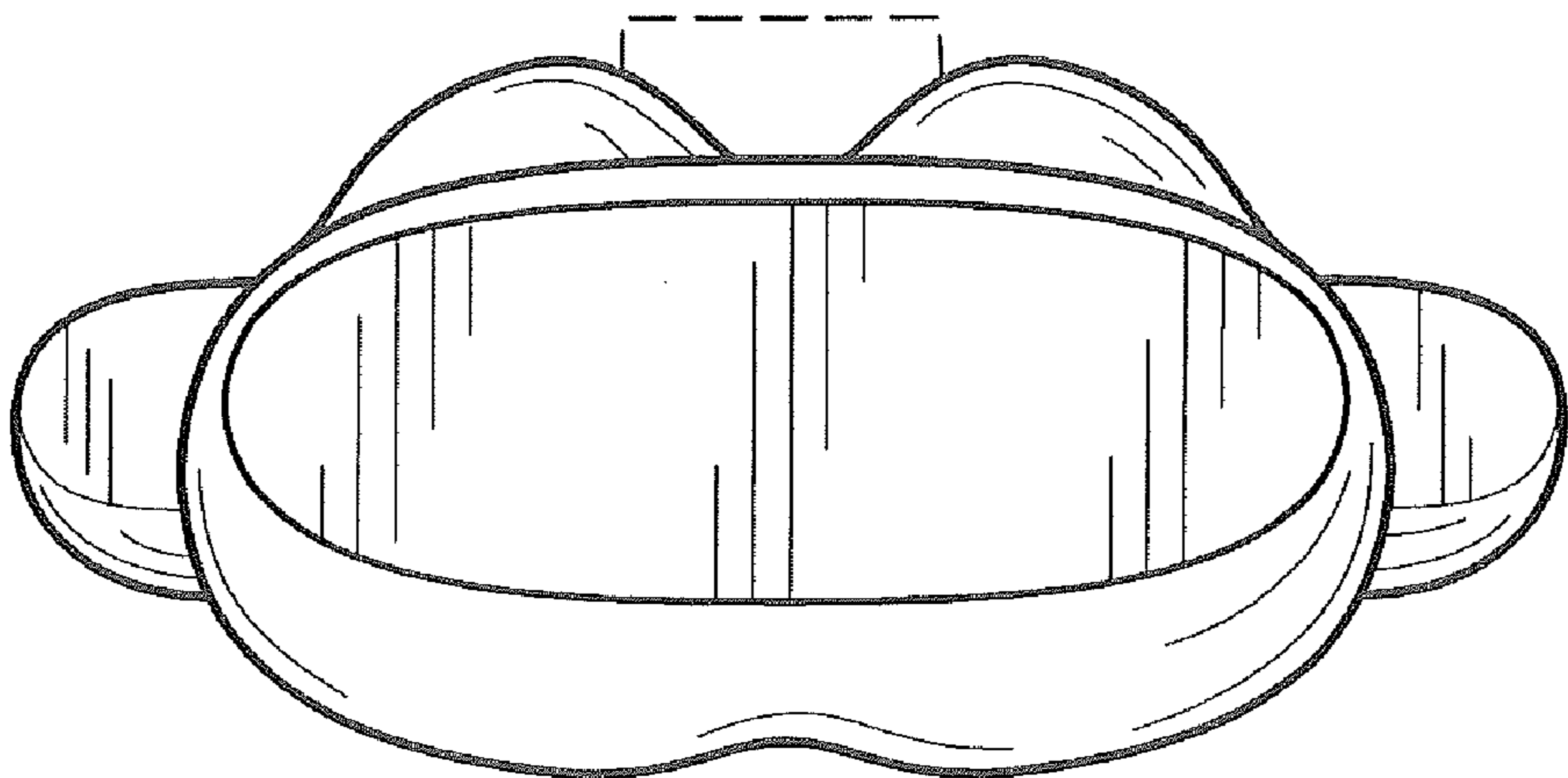


Fig. 6