

US00D675022S

(12) **United States Design Patent**
Saavedra

(10) **Patent No.:** **US D675,022 S**
(45) **Date of Patent:** **** Jan. 29, 2013**

(54) **CLASP**

(75) Inventor: **Carlos Saavedra**, New York, NY (US)

(73) Assignee: **Henri Bendel, Inc.**, New York, NY (US)

(**) Term: **14 Years**

(21) Appl. No.: **29/403,073**

(22) Filed: **Sep. 30, 2011**

(51) **LOC (9) Cl.** **03-01**

(52) **U.S. Cl.** **D3/322**

(58) **Field of Classification Search** D3/232–233,
D3/240–246, 318, 322; 150/100, 103–110,
150/113–114, 117–119

See application file for complete search history.

(56) **References Cited**

U.S. PATENT DOCUMENTS

1,835,749	A	*	12/1931	Behrman	150/106
D124,356	S	*	12/1940	Calem	D28/79
D133,410	S		8/1942	Detkin et al.		
D141,283	S	*	5/1945	Stelzer	D3/233
D171,875	S		4/1954	Ames		
D202,860	S		11/1965	Terrence		
D263,649	S		4/1982	Schimmel		
D275,910	S		10/1984	Schimmel		
D324,771	S		3/1992	Dixsaut		
D451,677	S		12/2001	Kim		
D492,479	S		7/2004	Hanley		
D492,482	S		7/2004	Hanley		
D533,719	S		12/2006	Spade		
D560,362	S		1/2008	Watanabe		
D564,223	S		3/2008	Messineo		
D572,485	S	*	7/2008	Gonzalez	D3/318
D578,306	S		10/2008	Hermann		

D626,331 S 11/2010 Guyon et al.
D635,357 S 4/2011 Guyon et al.
D635,358 S 4/2011 Guyon et al.

OTHER PUBLICATIONS

Alexander McQueen Wicca Velvet-covered Leather Shoulder Bag,
<http://www.bagfuss.com>.

“Henri Bendel” Trademark, U.S. Appl. No. 85/354,441, First Use in
Commerce Sep. 30, 2007.

“M” Trademark, U.S. Appl. No. 77/760,255, filed Jun. 15, 2009.

“HB” Trademark, U.S. Appl. No. 77/566,823, filed Sep. 10, 2008.

Henri Bendel Trademark, U.S. Appl. No. 77/566,854, filed Sep. 10,
2008.

“H B” Trademark, U.S. Appl. No. 85/366,582, First Use in Com-
merce Sep. 30, 2007.

Henri Bendel Crown Logo.

* cited by examiner

Primary Examiner — Holly Baynham

(74) *Attorney, Agent, or Firm* — Ward & Zinna, LLC

(57) **CLAIM**

The ornamental design for a clasp, as shown and described.

DESCRIPTION

FIG. 1 is a perspective view of a clasp;

FIG. 2 is an enlarged front view thereof;

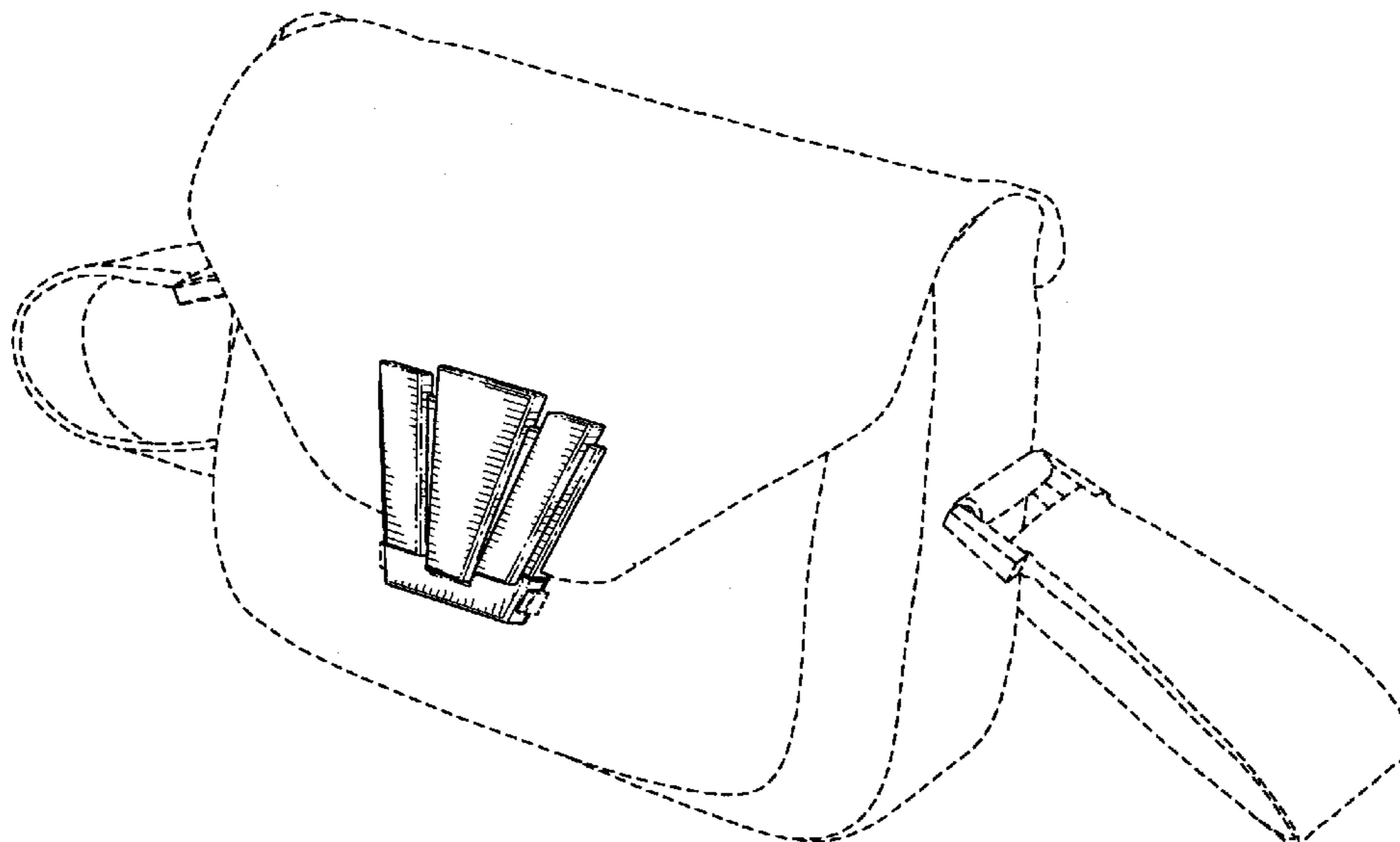
FIG. 3 is a left side view thereof, the right side view being a
mirror image thereof;

FIG. 4 is a top view thereof; and,

FIG. 5 is a bottom view thereof.

The broken lines showing in the figures are included for the
purpose of illustrating environment of the design and form no
part of the claimed invention.

1 Claim, 4 Drawing Sheets



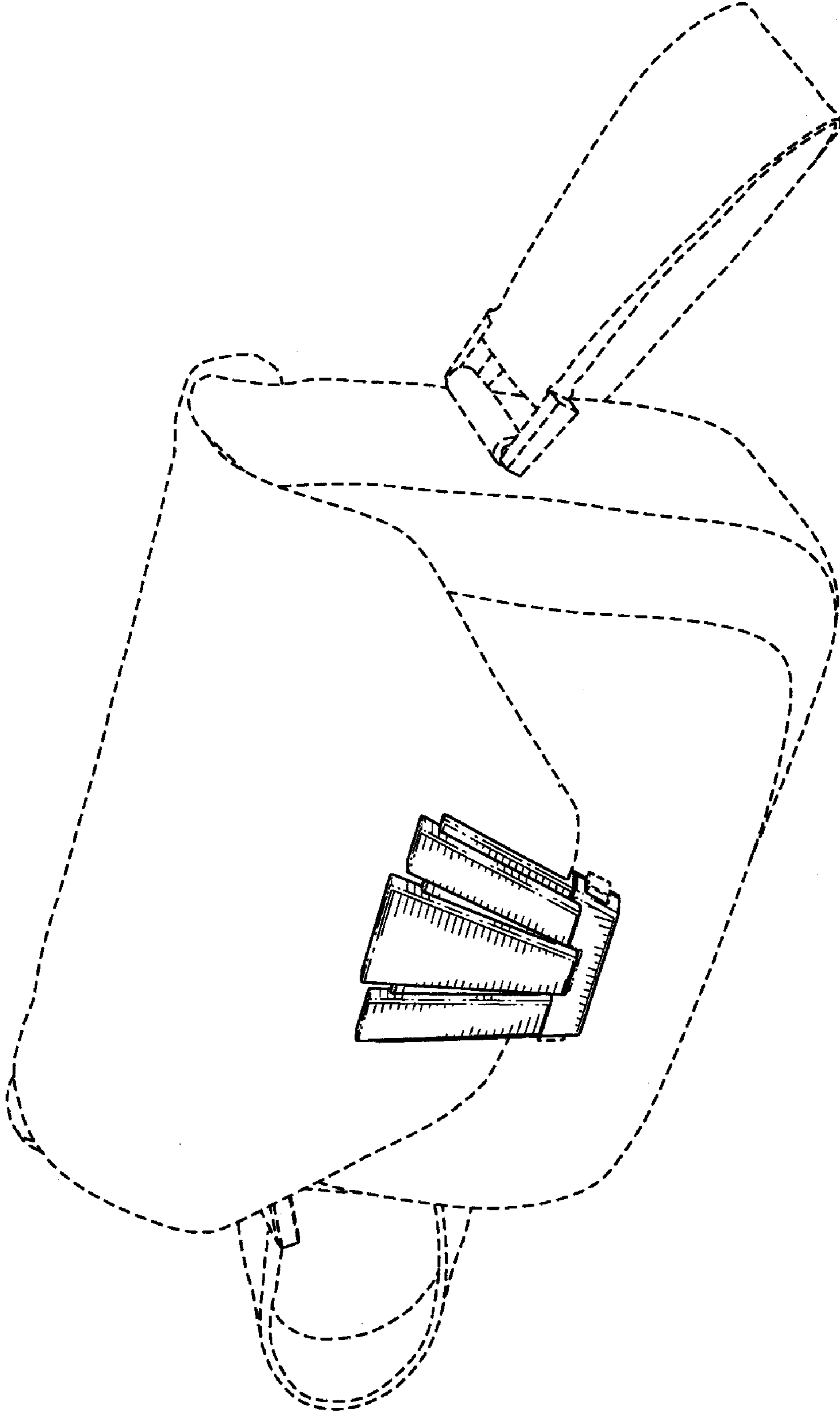


FIG.1

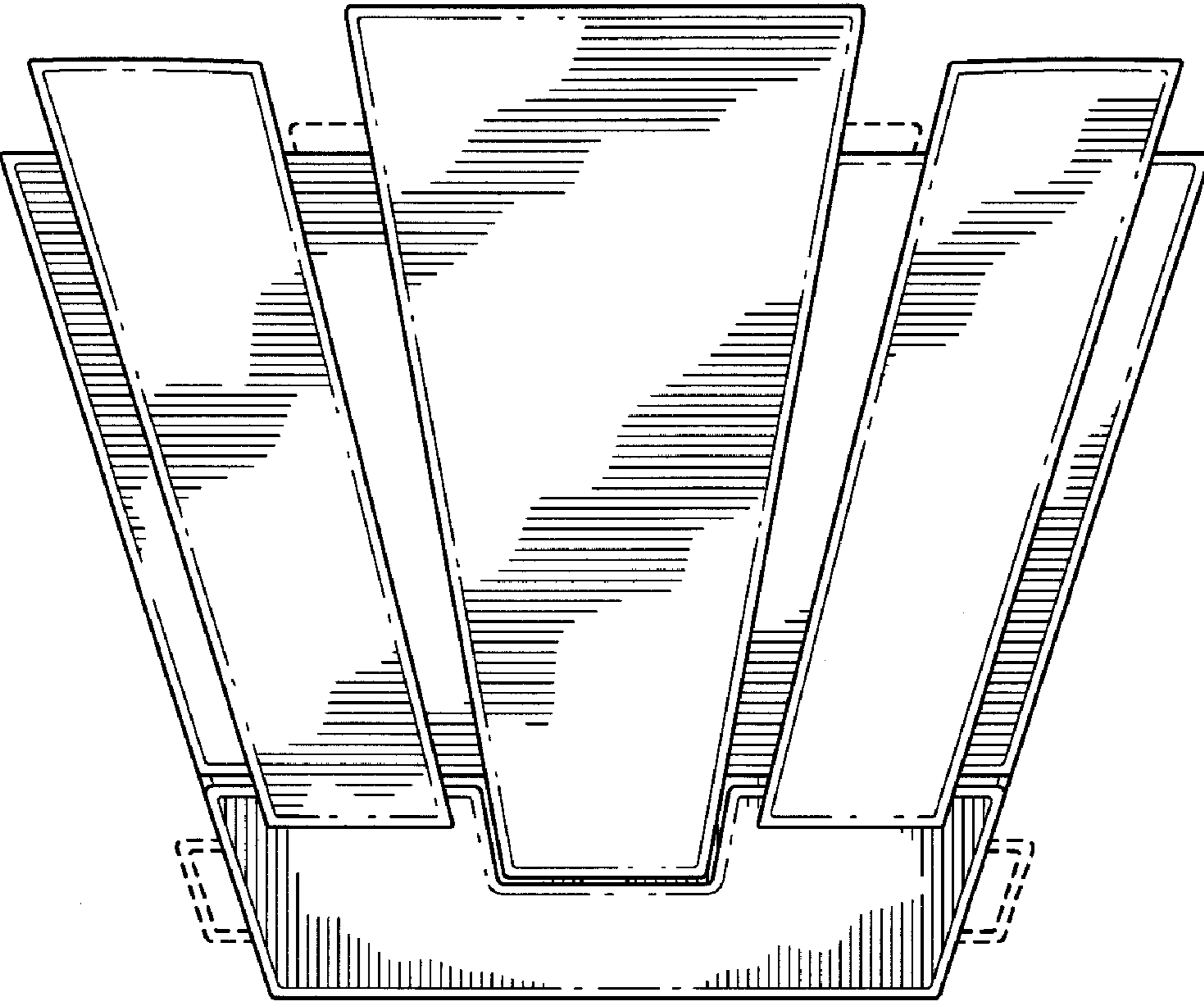


FIG.2

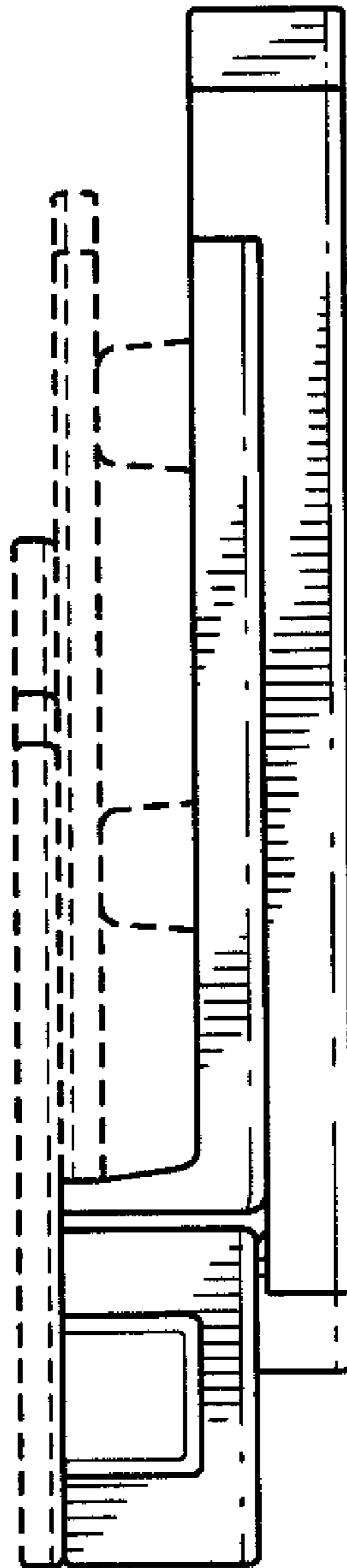


FIG. 3

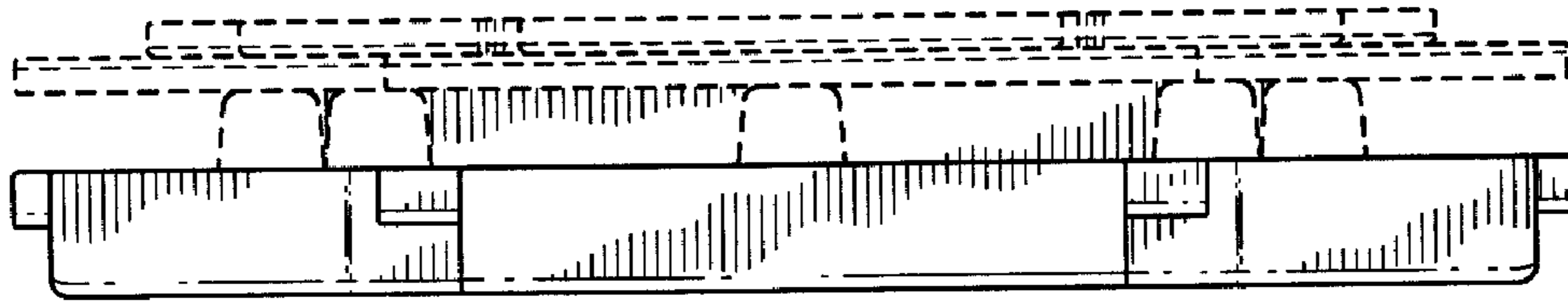


FIG. 4



FIG. 5