



US00D675020S

(12) **United States Design Patent**  
**Mu et al.**

(10) **Patent No.:** **US D675,020 S**  
(45) **Date of Patent:** **\*\* Jan. 29, 2013**

(54) **SHOE STORAGE BOX**

(76) Inventors: **Der Liang Mu**, Rancho Palos Verdes, CA (US); **Lisa Lynn Kim**, Rancho Palos Verdes, CA (US); **Elizabeth Yong Mu**, Rancho Palos Verdes, CA (US); **Natalie Enhwei Mu**, Rancho Palos Verdes, CA (US); **Rebecca Rongyi Mu**, Rancho Palos Verdes, CA (US)

(\*\*) Term: **14 Years**

(21) Appl. No.: **29/404,075**

(22) Filed: **Oct. 14, 2011**

(51) **LOC (9) Cl.** ..... **03-01**

(52) **U.S. Cl.** ..... **D3/302; D9/432**

(58) **Field of Classification Search** ..... D3/200, D3/201, 242, 273, 276, 287, 302, 317; 206/278, 206/278.1, 776, 777, 778; D9/418, 432; 220/782, 789; 229/162.1, 162.2; 190/13 F  
See application file for complete search history.

(56) **References Cited**

U.S. PATENT DOCUMENTS

6,732,858 B1 \* 5/2004 Chang Ou ..... 206/278  
D527,901 S \* 9/2006 Selsted ..... D3/302

7,249,674 B2 \* 7/2007 Mu et al. .... 206/278.1  
D584,053 S \* 1/2009 Abdo et al. .... D3/302  
D590,248 S 4/2009 Mu et al.  
D617,558 S \* 6/2010 Myers ..... D3/302  
D643,628 S \* 8/2011 Monarch ..... D3/302

\* cited by examiner

*Primary Examiner* — Susan Bennett Hattan

*Assistant Examiner* — Barbara B Lohr

(74) *Attorney, Agent, or Firm* — IPLA P.A.; James E. Bame

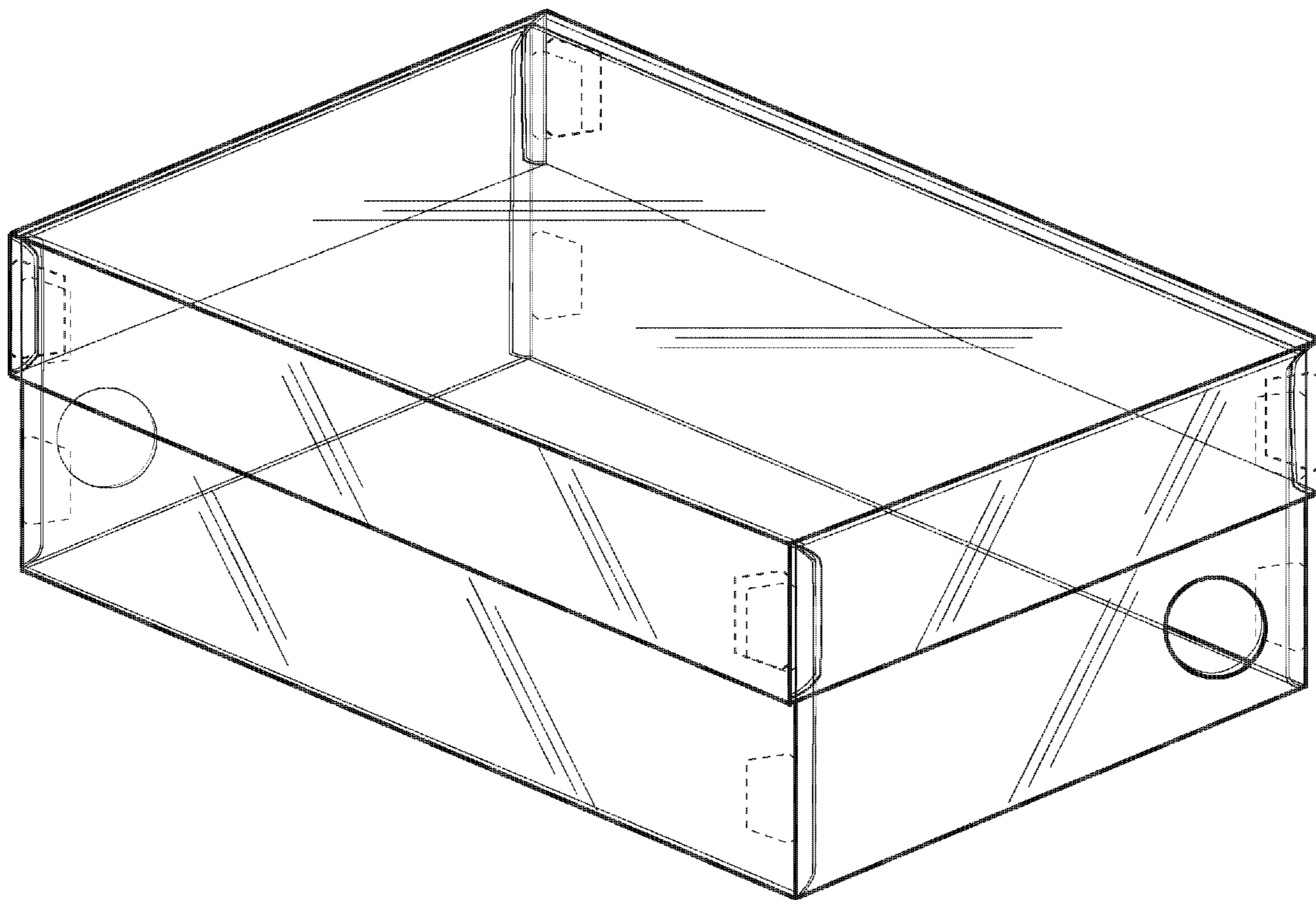
(57) **CLAIM**

The ornamental design for a shoe storage box, as shown and described.

**DESCRIPTION**

FIG. 1 is a perspective view of our new design; FIG. 2 is another perspective view of our new design with a cover being raised to open; FIG. 3 is a front elevational view of FIG. 1; FIG. 4 is a side elevational view of FIG. 1, the other side being a mirror image; and, FIG. 5 is a top plan view of FIG. 1. The broken line showing illustrates environment only and forms no part of the claimed design.

**1 Claim, 5 Drawing Sheets**



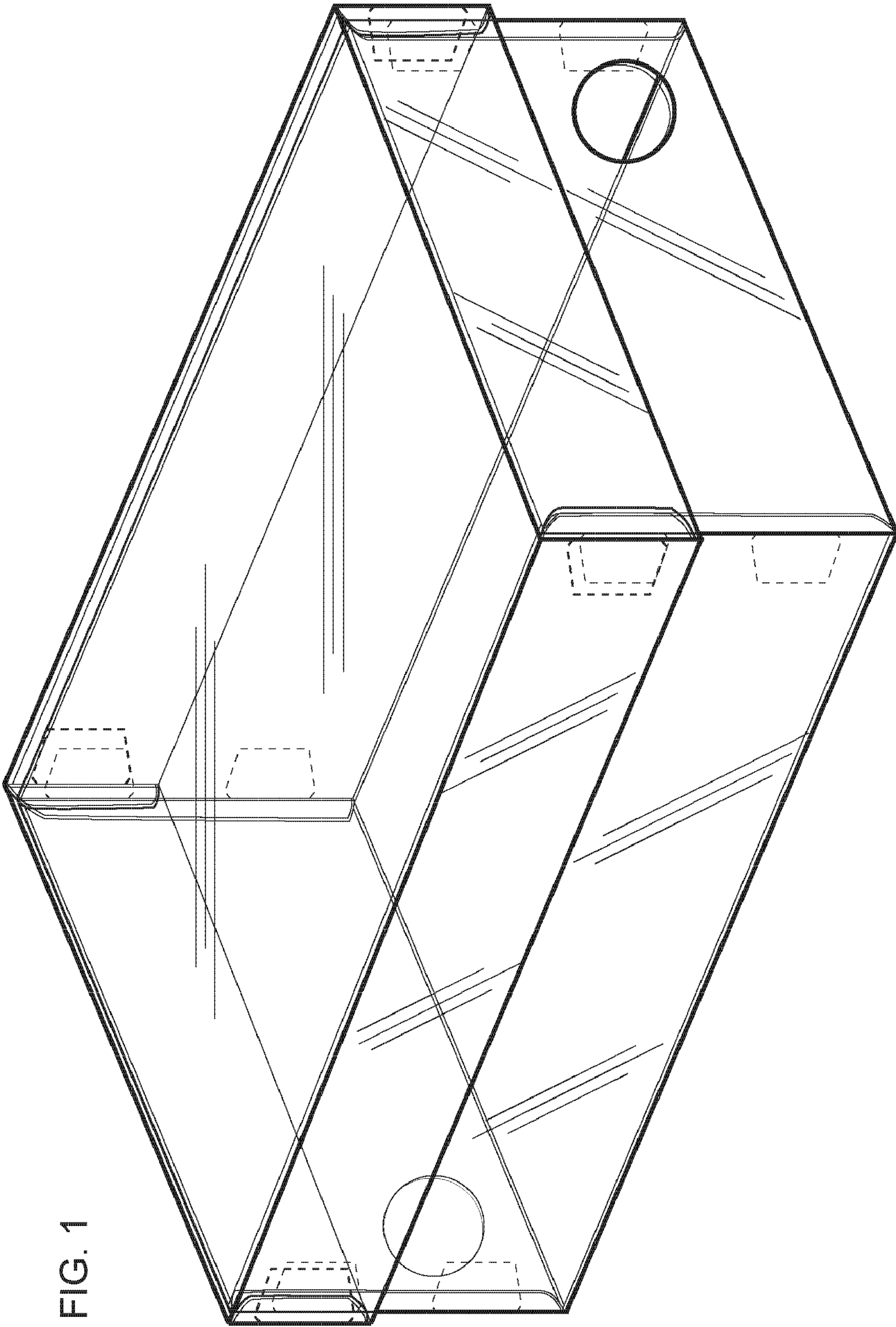


FIG. 1

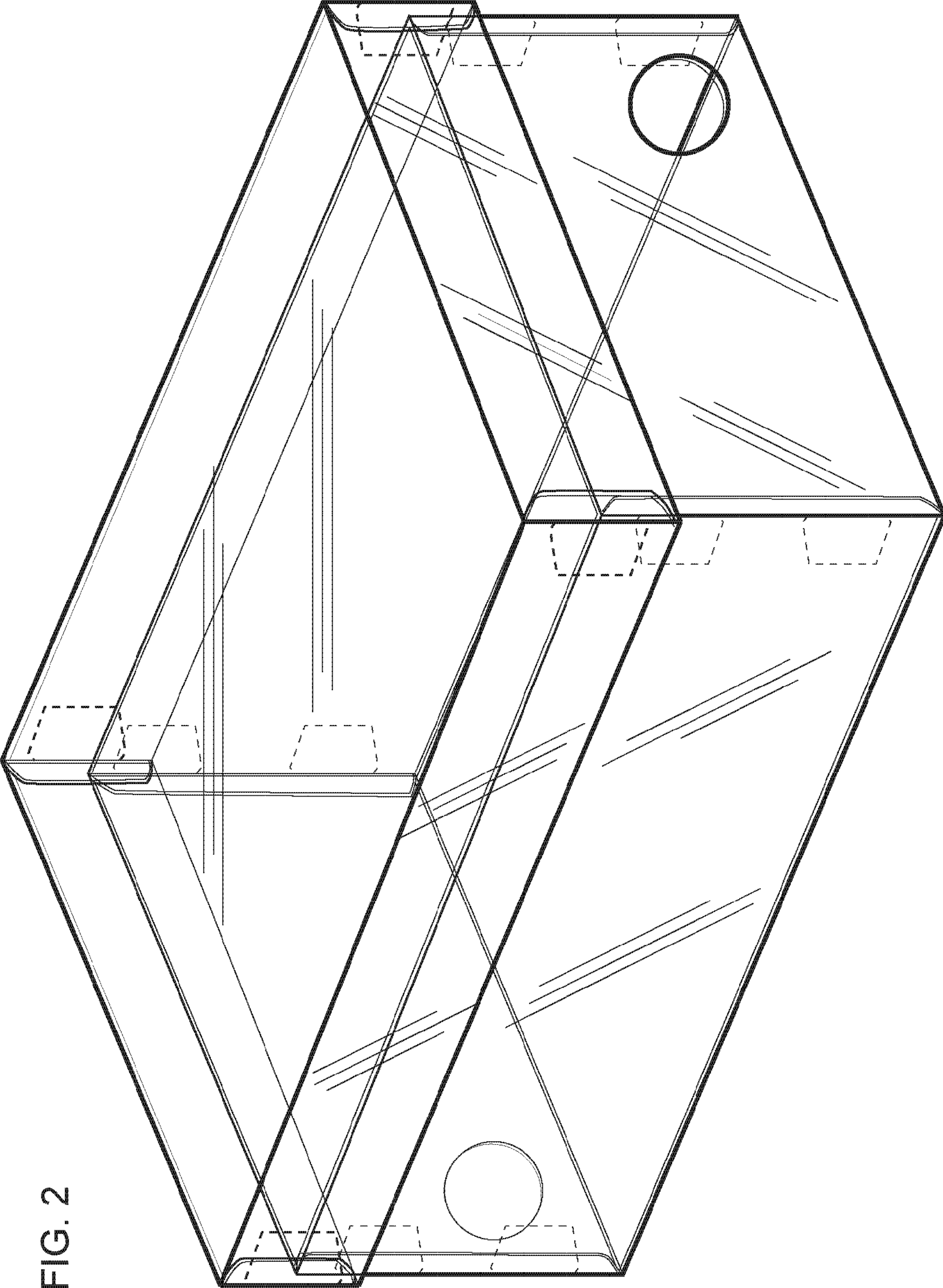


FIG. 2

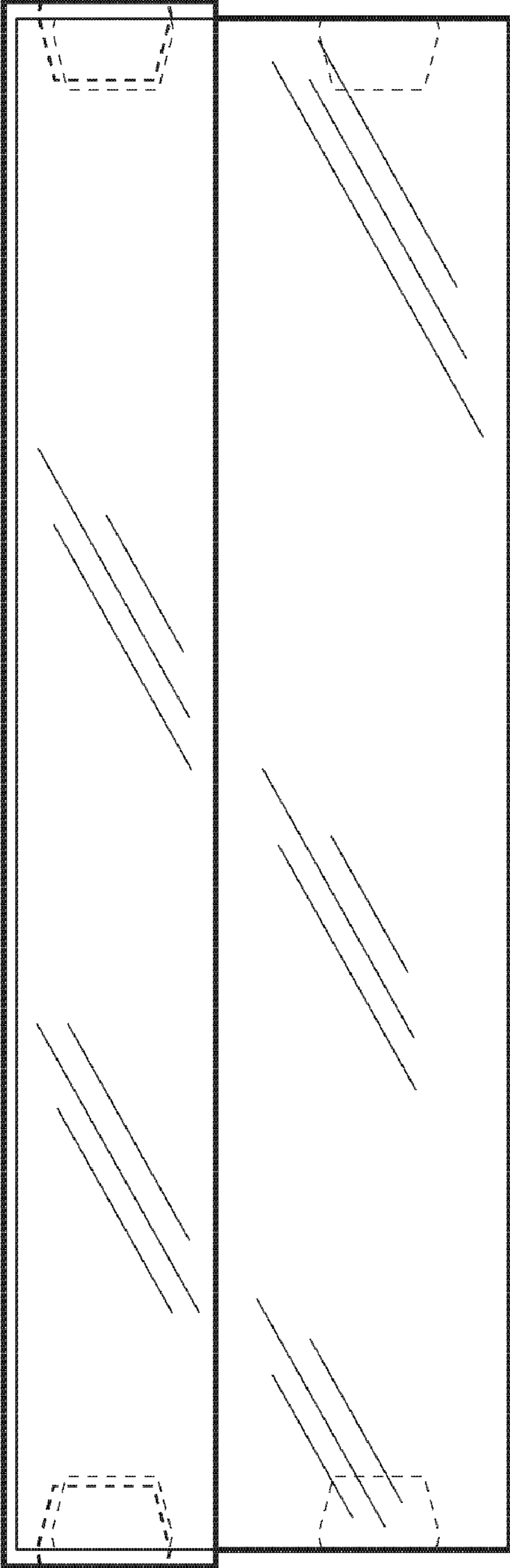


FIG. 3

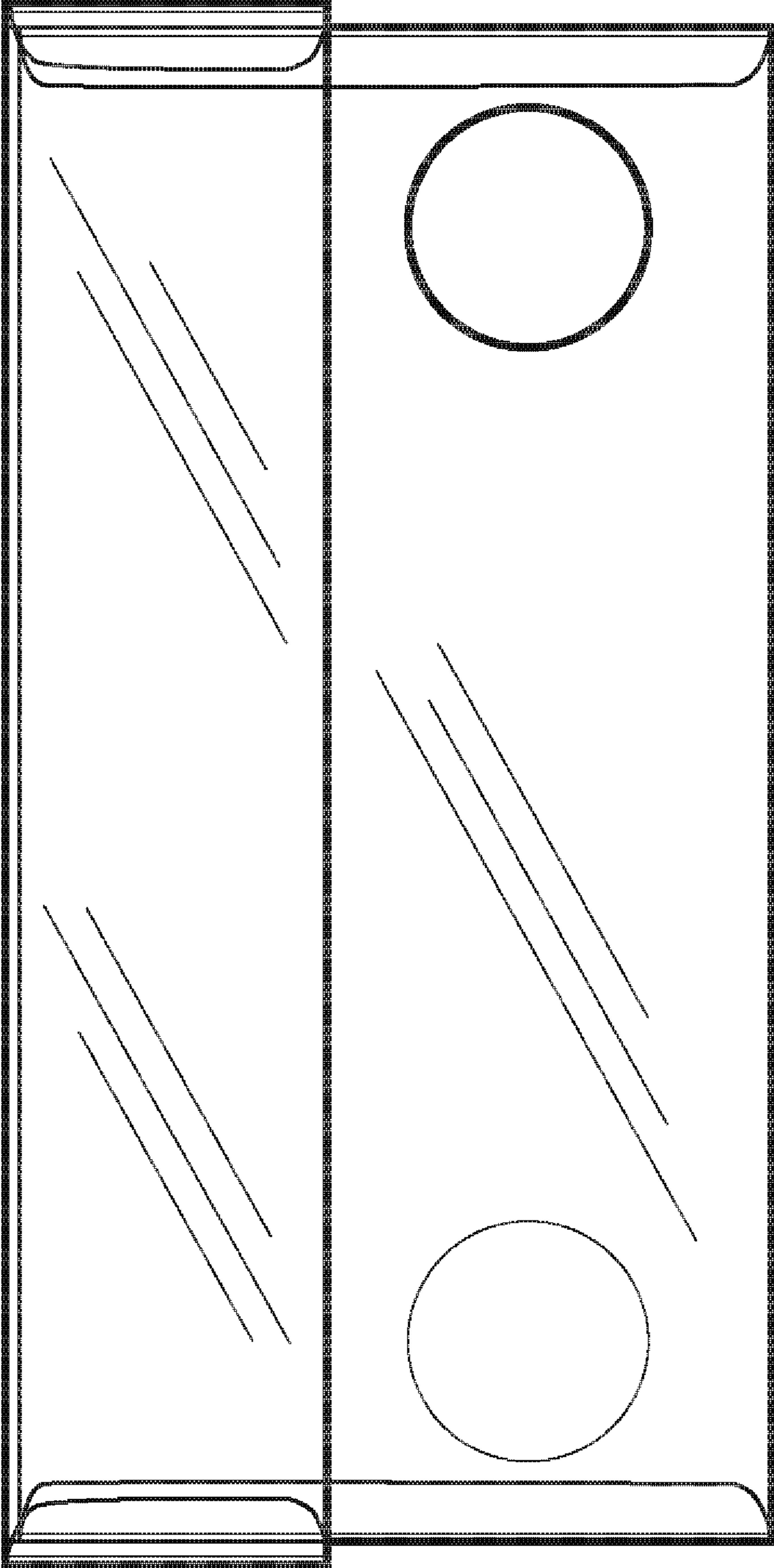


FIG. 4

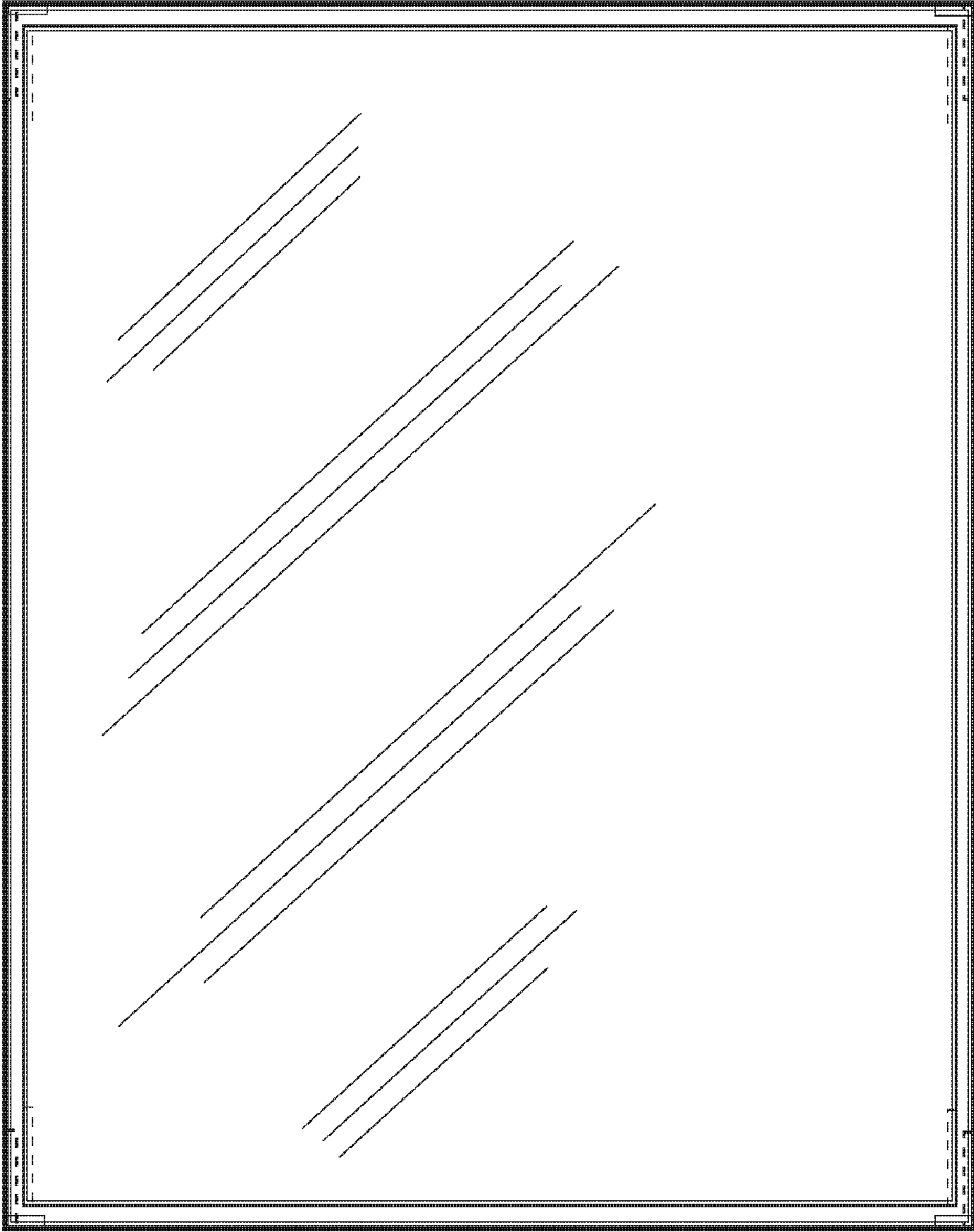


FIG. 5