



US00D675019S

(12) **United States Design Patent**
Jacobson

(10) **Patent No.:** **US D675,019 S**

(45) **Date of Patent:** **** Jan. 29, 2013**

(54) **PORTABLE ORGANIZER**

(76) Inventor: **Jeff A Jacobson**, Corona Del Mar, CA
(US)

(**) Term: **14 Years**

(21) Appl. No.: **29/431,334**

(22) Filed: **Sep. 6, 2012**

(51) **LOC (9) Cl.** **03-01**

(52) **U.S. Cl.** **D3/285; D3/289**

(58) **Field of Classification Search** D3/272,
D3/276, 278, 283–290, 299, 301; 190/100,
190/109–123, 900; 206/278–279, 286–287.1,
206/288, 289, 292; 383/97

See application file for complete search history.

(56) **References Cited**

U.S. PATENT DOCUMENTS

5,887,711	A *	3/1999	McAuliffe	206/292
D463,120	S *	9/2002	Yoshinaka	D3/299
D484,694	S *	1/2004	Leen	D3/273
D564,216	S *	3/2008	Thai	D3/202
D648,530	S *	11/2011	Hilton	D3/274
D660,591	S *	5/2012	Okulla et al.	D3/294
2012/0152772	A1 *	6/2012	Garner	206/223

* cited by examiner

Primary Examiner — Jennifer Rivard

(74) *Attorney, Agent, or Firm* — Greenberg Traurig, LLP

(57) **CLAIM**

The ornamental design for a portable organizer, as shown and described.

DESCRIPTION

FIG. 1 is a front, top and right side perspective mounted to a bar shown in dash line forming no part of the claimed designed of the portable organizer;

FIG. 2 is a right side elevation of the portable organizer;

FIG. 3 is a left side elevation of the portable organizer;

FIG. 4 is a front elevation of the portable organizer;

FIG. 5 is a rear elevation of the portable organizer;

FIG. 6 is a top plan view of the portable organizer;

FIG. 7 is a bottom plan view of the portable organizer;

FIG. 8 is a front, top right perspective shown in an open position and mounted to a bar shown in dash line forming no part of the claimed design of the portable organizer;

FIG. 9 is a front elevation shown in an open position of the portable organizer;

FIG. 10 is a rear elevation shown in an open position of the portable organizer;

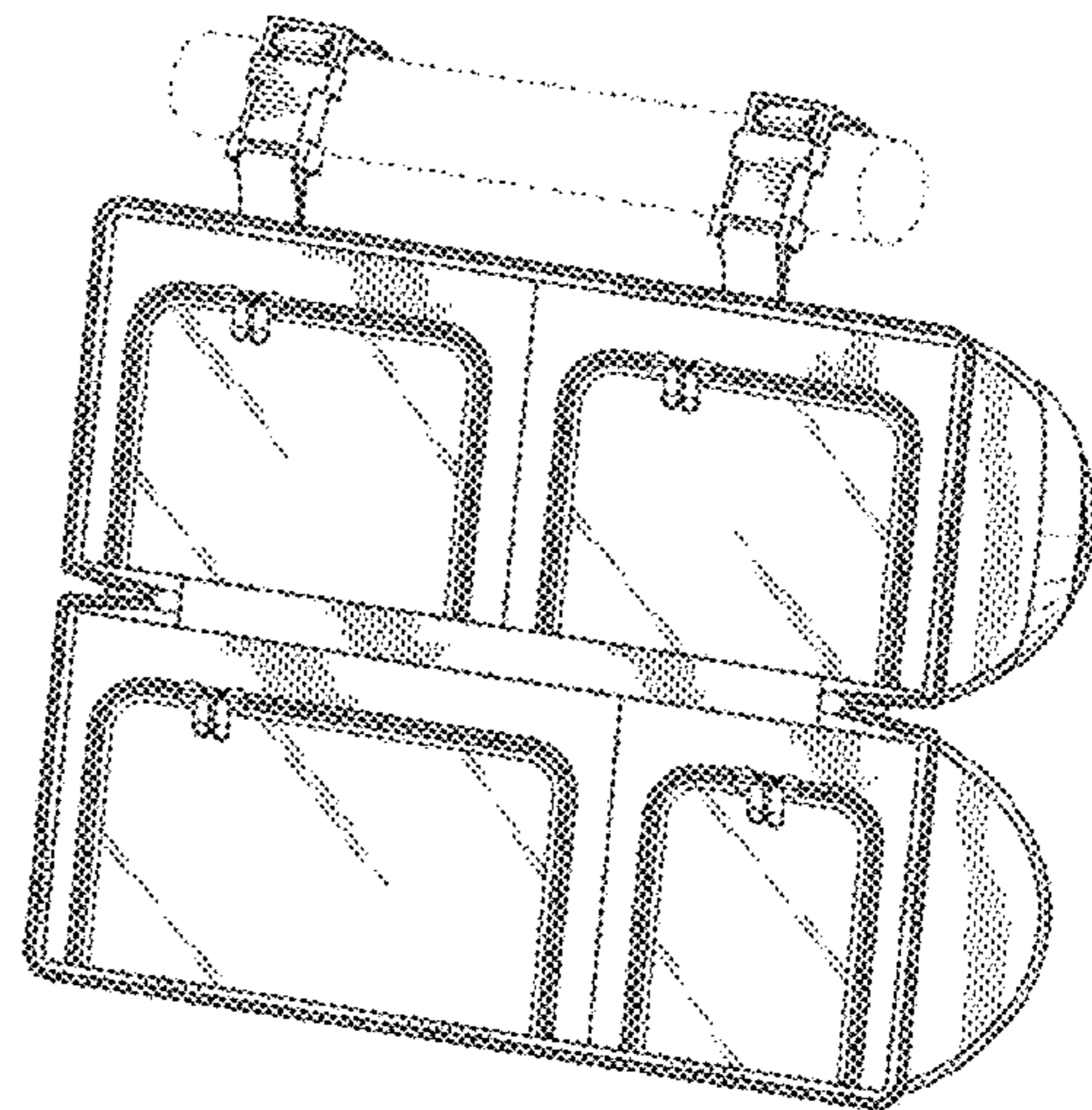
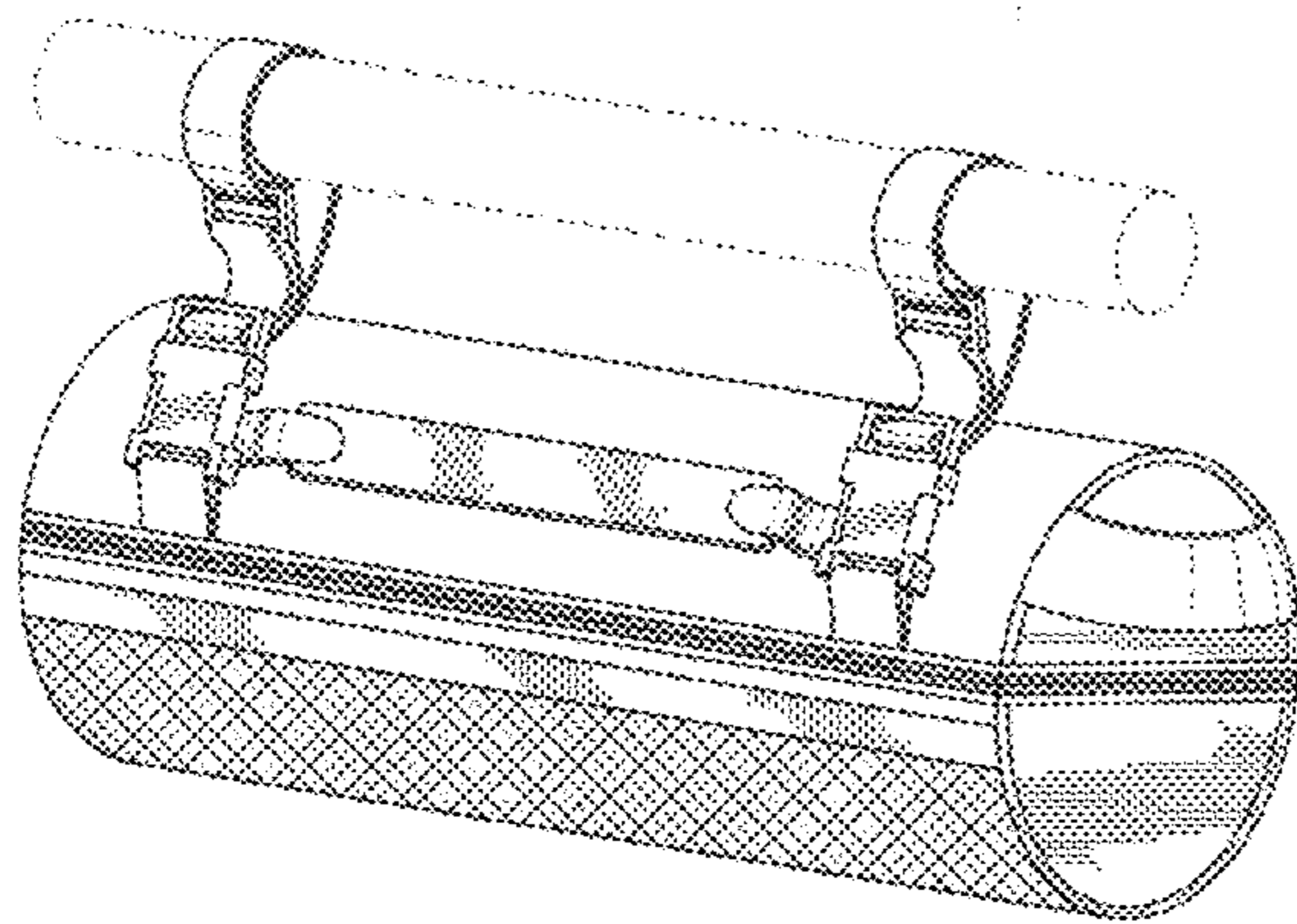
FIG. 11 is a top plan view shown in an open position of the portable organizer;

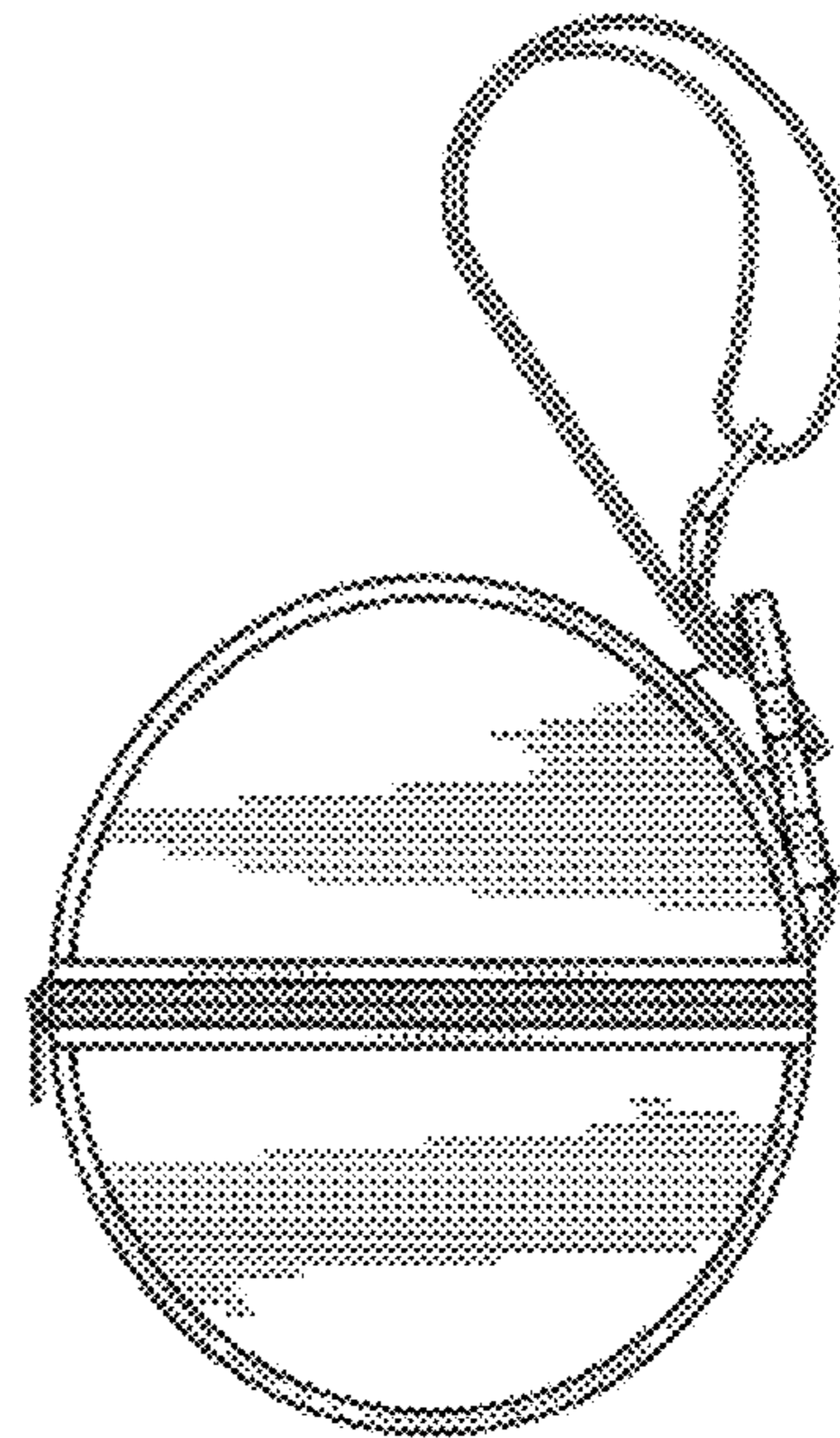
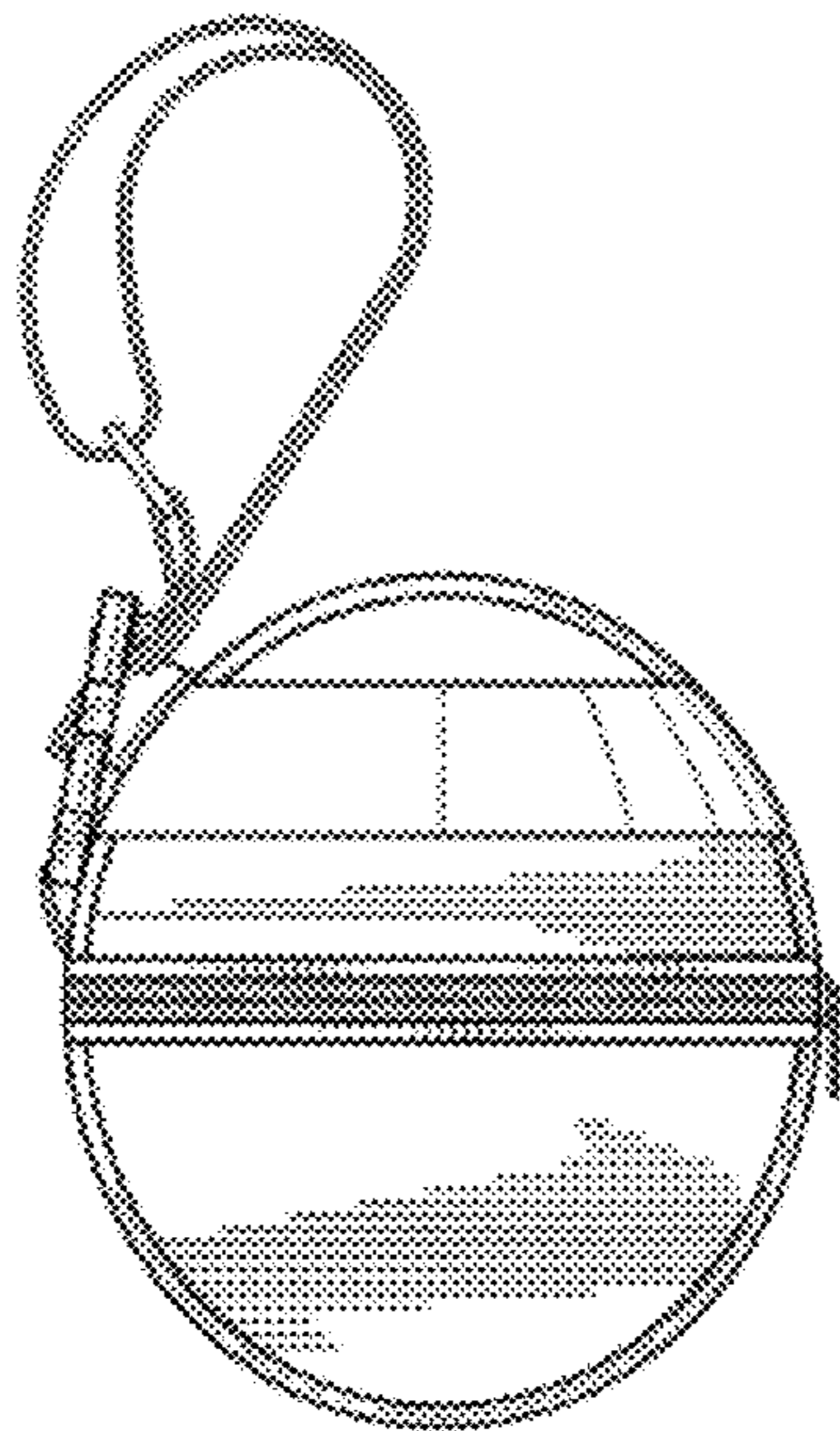
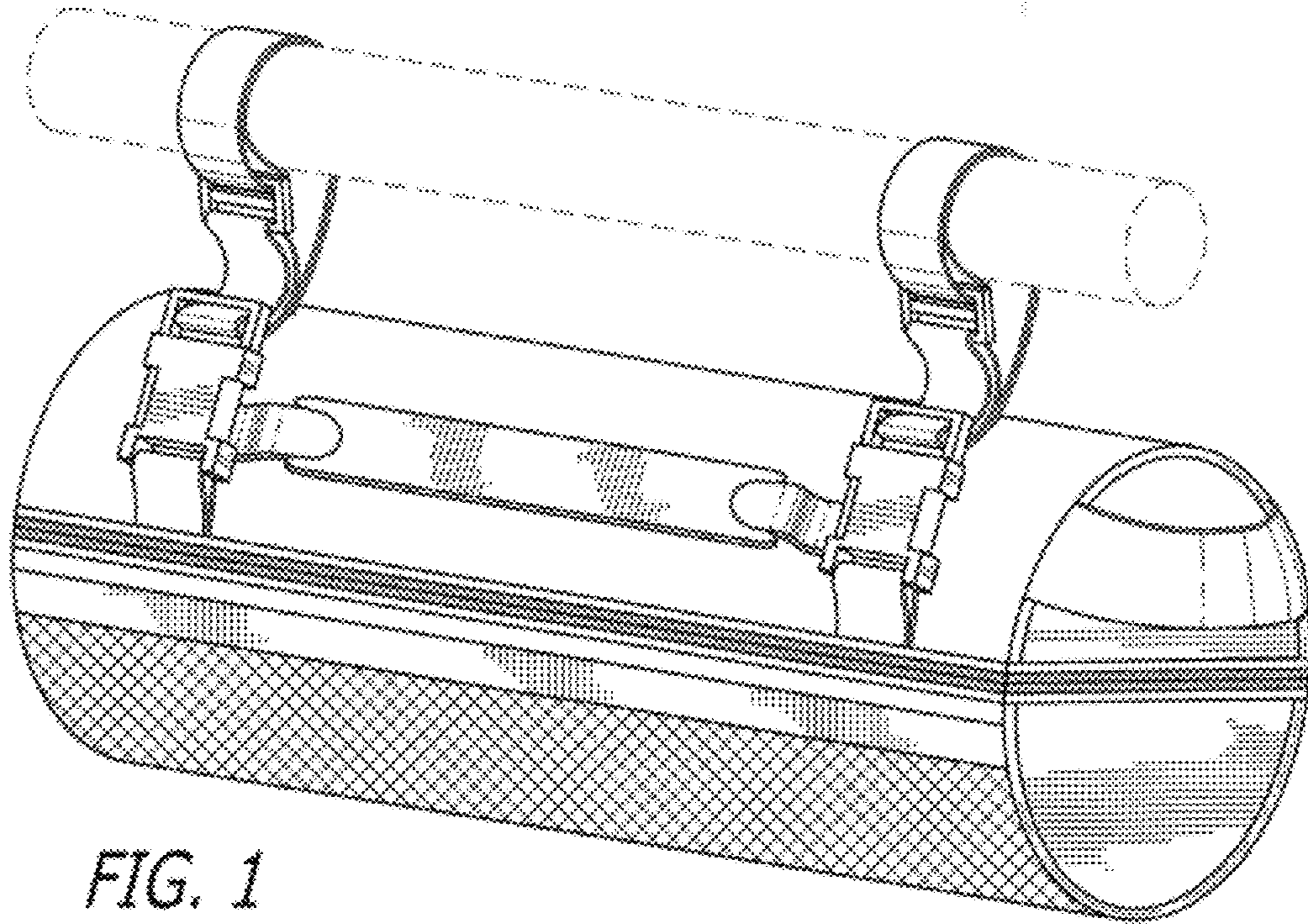
FIG. 12 is a bottom plan view shown in an open position of the portable organizer;

FIG. 13 is a right side elevation shown in an open position of the portable organizer; and,

FIG. 14 is a left side elevation shown in an open position of the portable organizer.

1 Claim, 8 Drawing Sheets





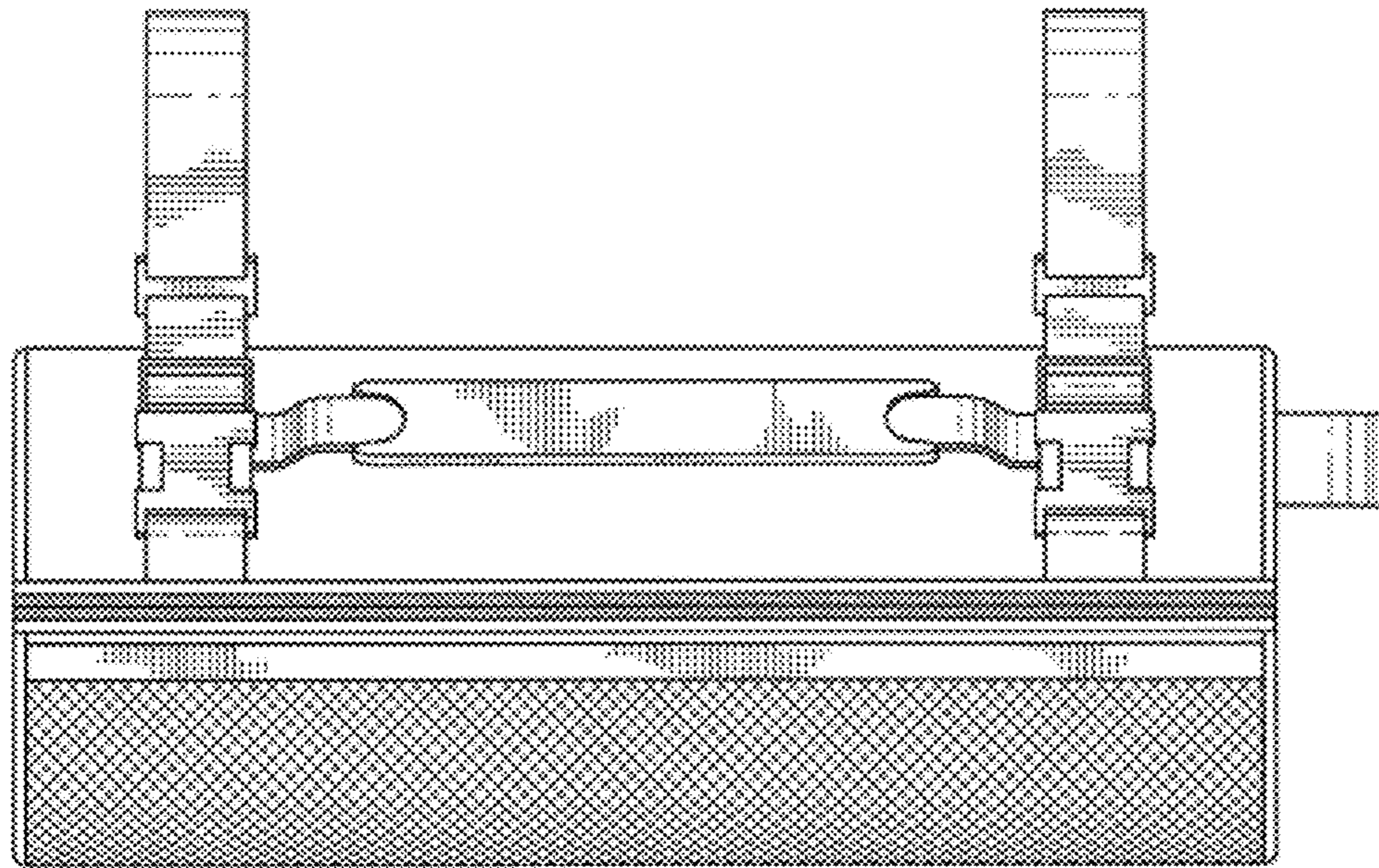


FIG. 4

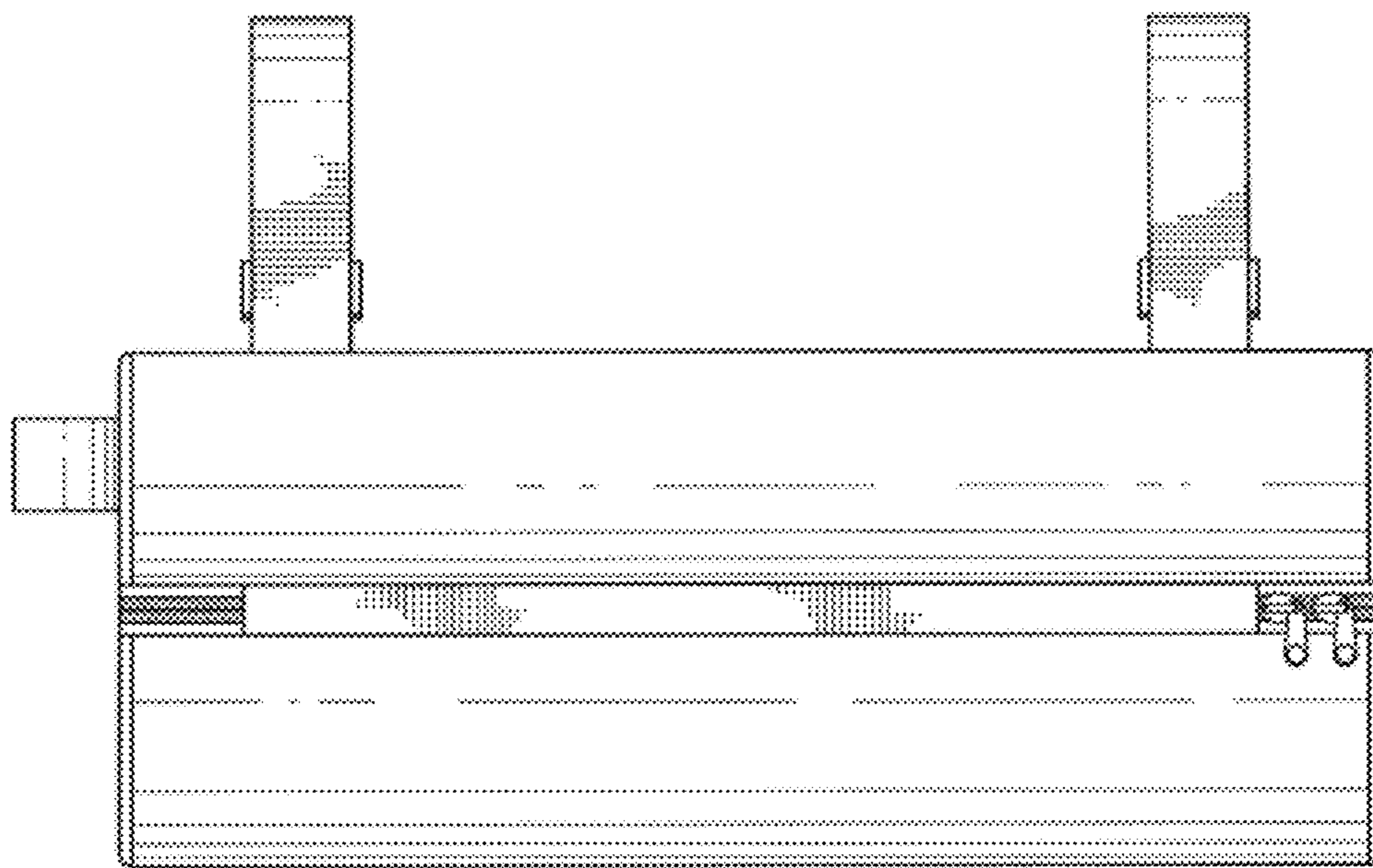


FIG. 5

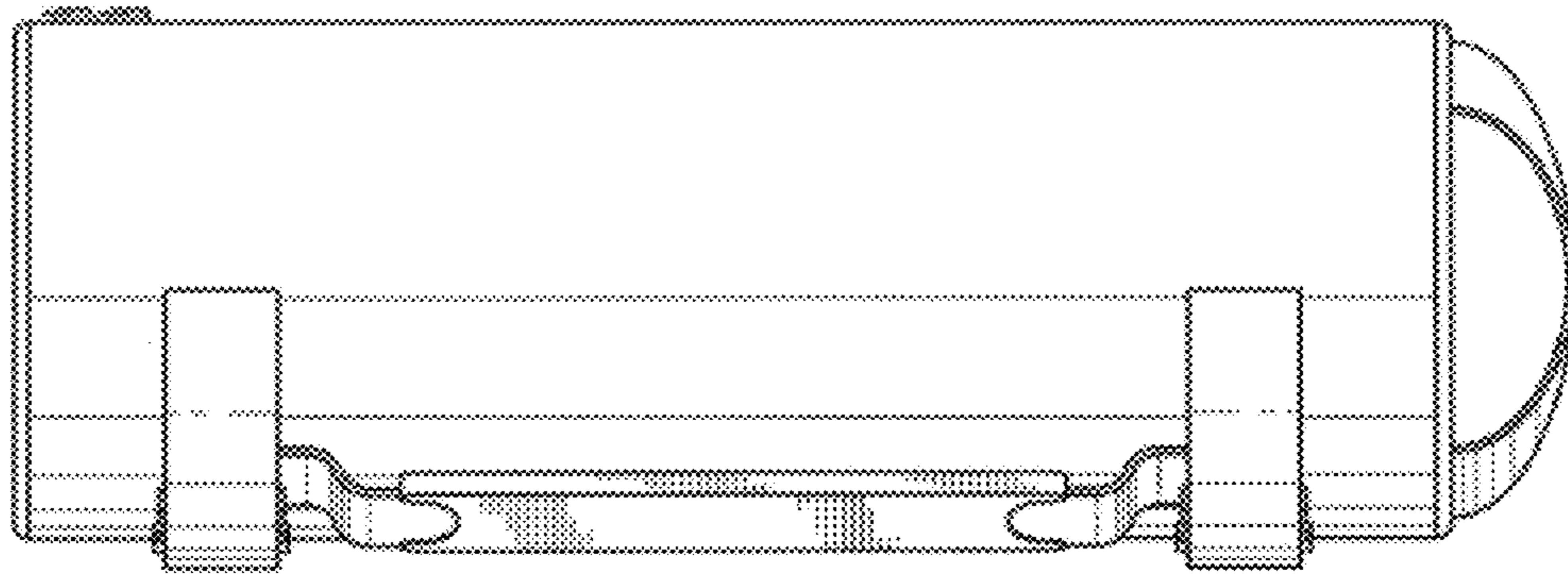


FIG. 6

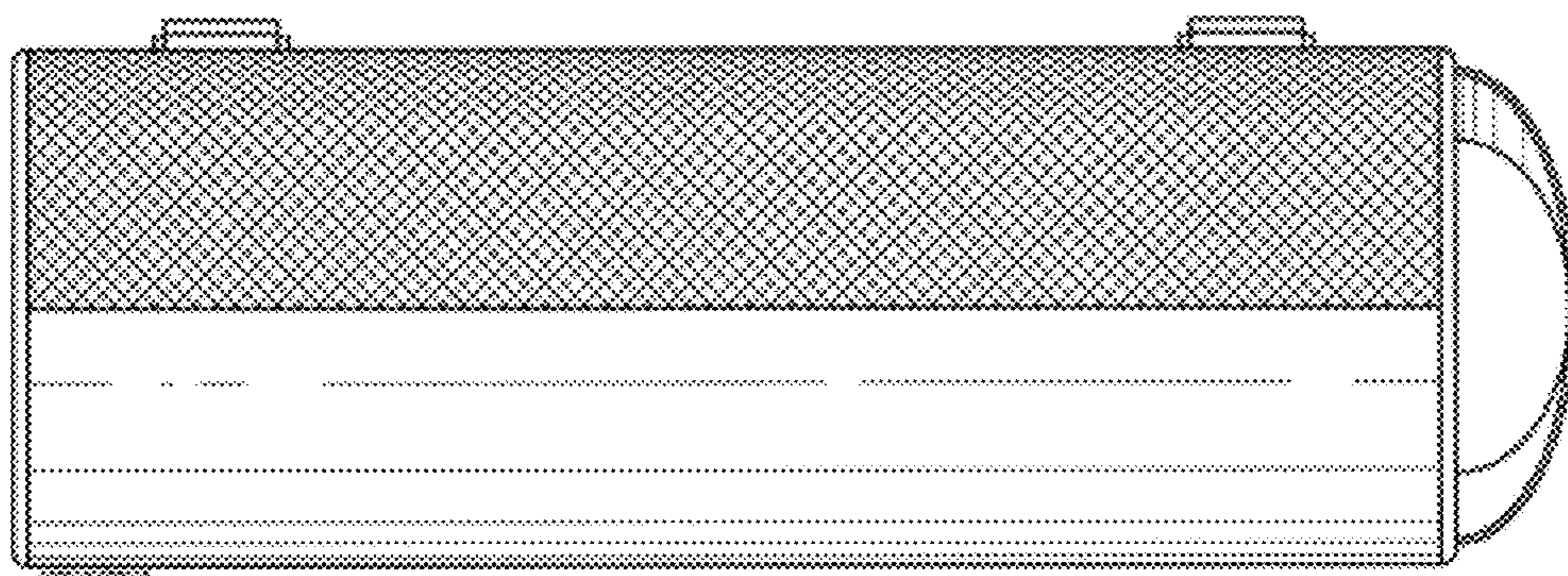


FIG. 7

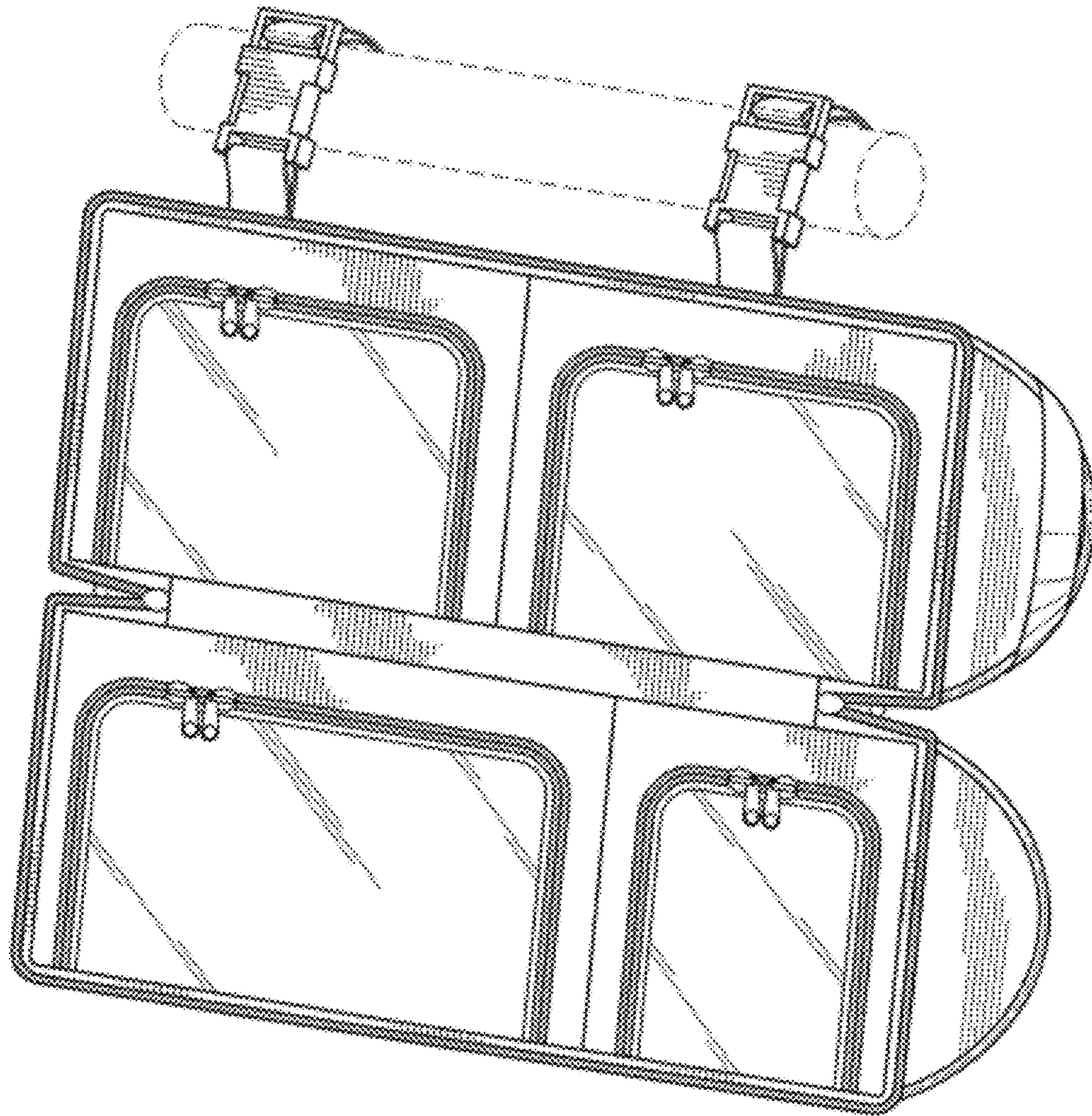


FIG. 8

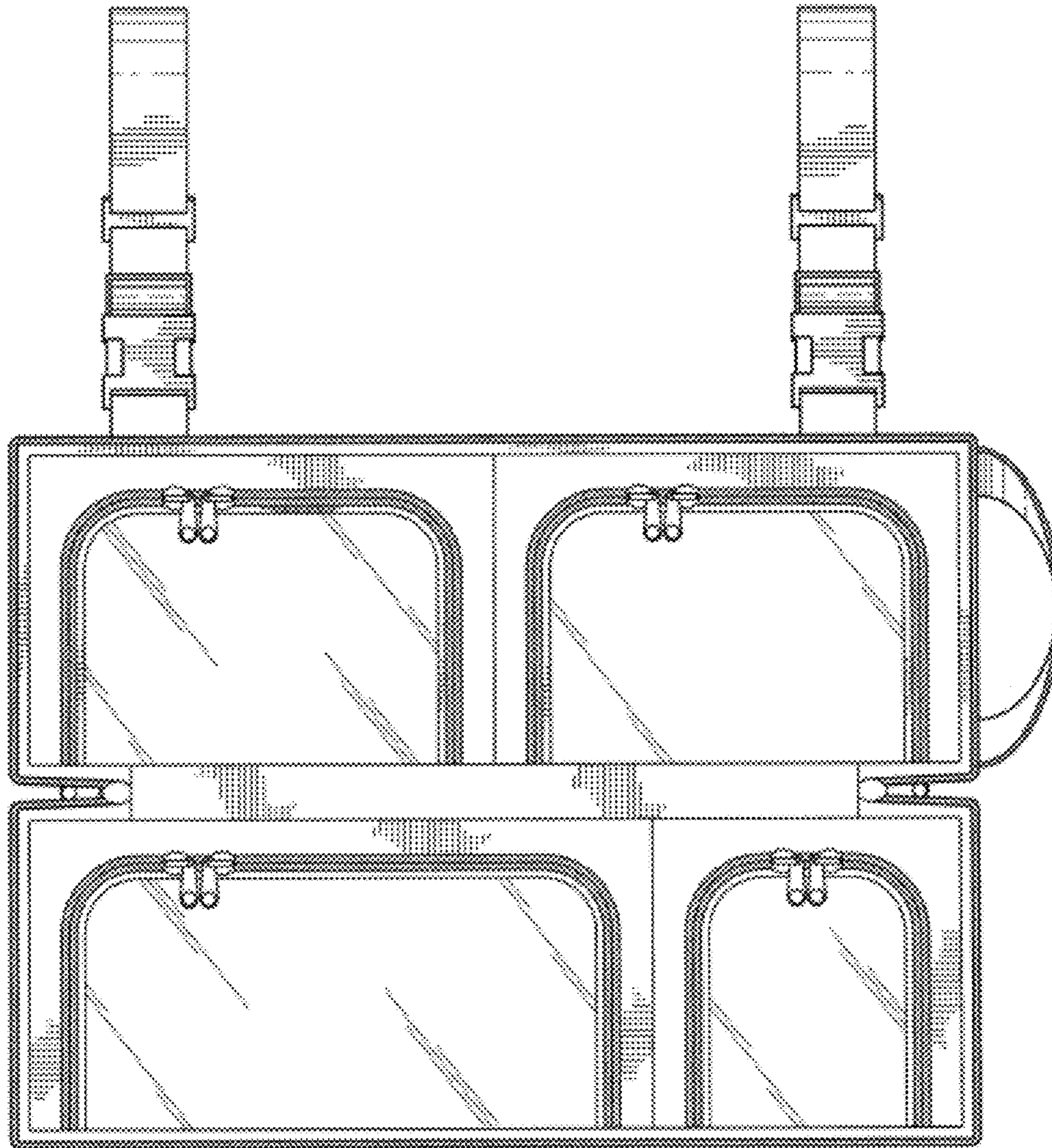


FIG. 9

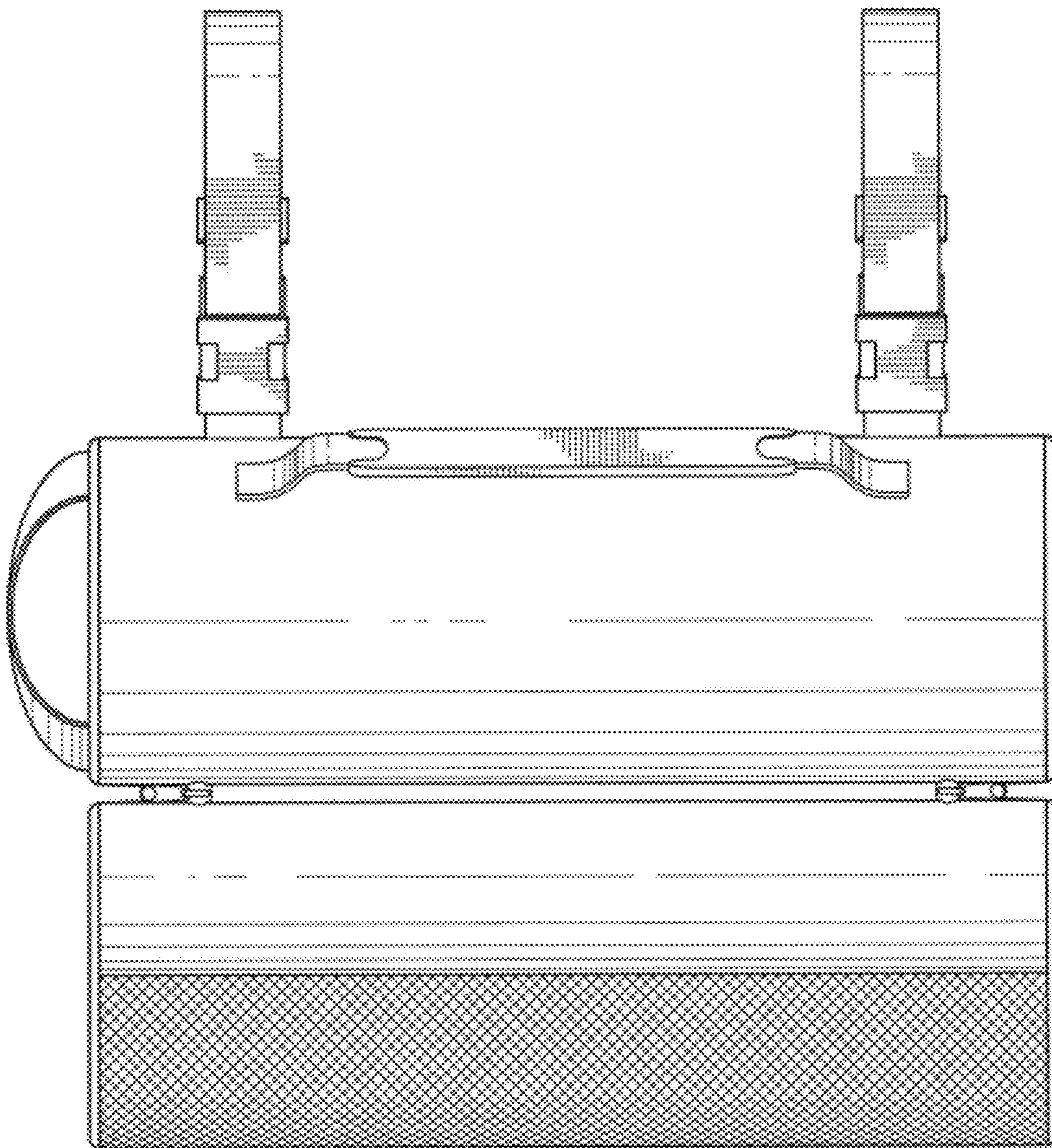


FIG. 10

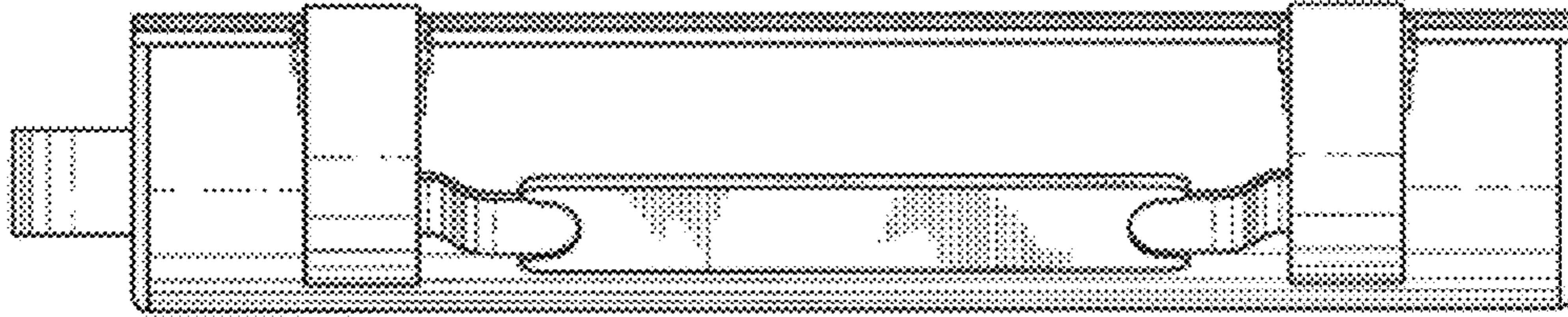


FIG. 11

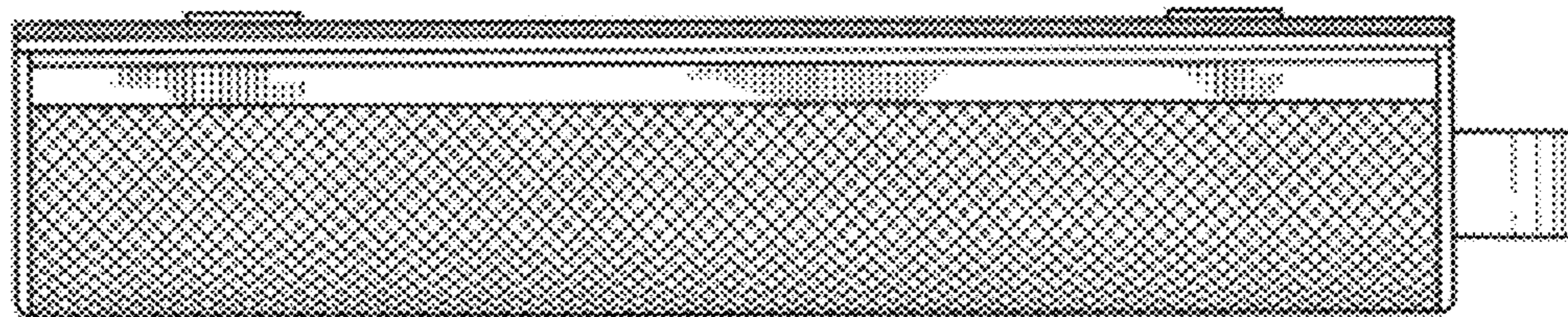


FIG. 12

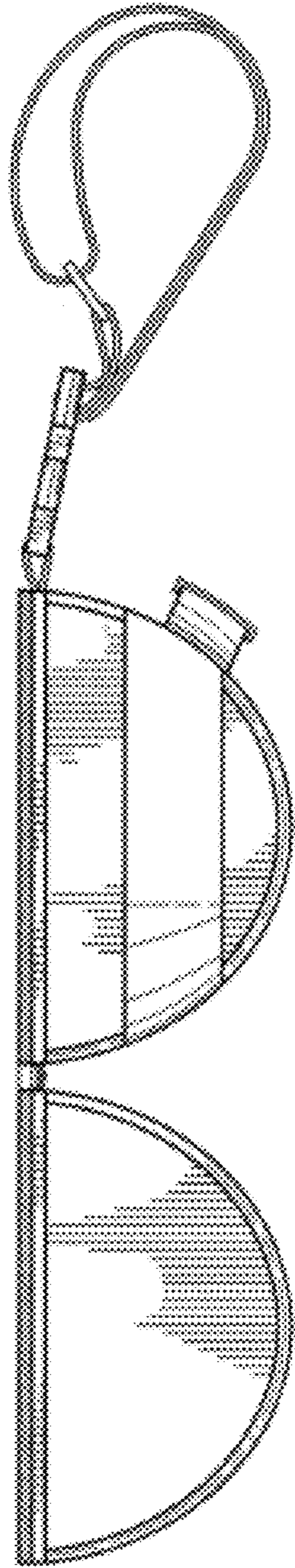


FIG. 13

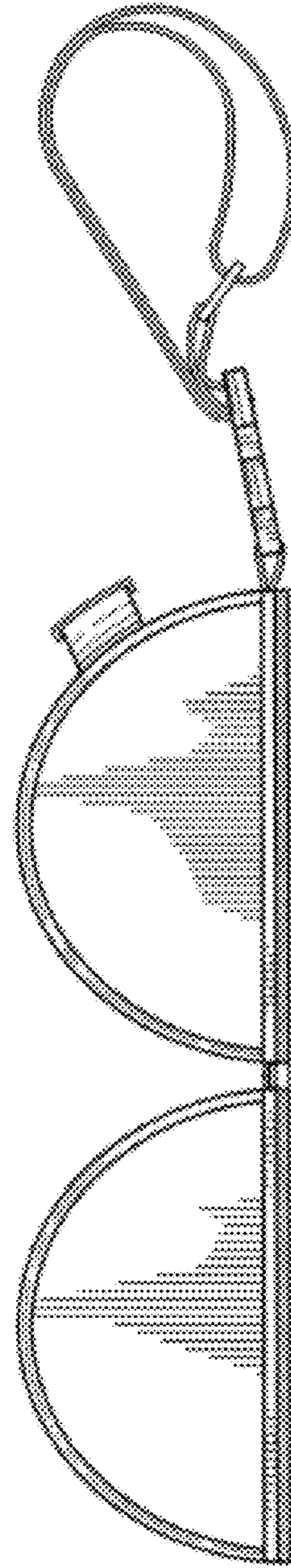


FIG. 14