



US00D675018S

(12) **United States Design Patent**
Roberts

(10) **Patent No.:** **US D675,018 S**

(45) **Date of Patent:** **** Jan. 29, 2013**

(54) **SUITCASE**

(75) Inventor: **Denicia G. Roberts**, Mt. Juliet, TN (US)

(73) Assignee: **Samsonite IP Holdings S.a.r.l.**,
Luxembourg (LU)

(**) Term: **14 Years**

(21) Appl. No.: **29/423,115**

(22) Filed: **May 29, 2012**

(51) **LOC (9) Cl.** **03-01**

(52) **U.S. Cl.** **D3/279**

(58) **Field of Classification Search** D3/273,
D3/276, 278–279, 283–285, 289; 190/18 A,
190/100–127; 206/278, 286–287.1

See application file for complete search history.

(56) **References Cited**

U.S. PATENT DOCUMENTS

D322,357 S	12/1991	King	
D339,917 S	10/1993	Pedlar	
D372,796 S	8/1996	Ferris	
D380,298 S	7/1997	Ferris	
D435,967 S	1/2001	Tiramani et al.	
D438,005 S	2/2001	Tiramani et al.	
D438,381 S	3/2001	Sijmons	
D454,430 S	3/2002	Sijmons	
D463,910 S *	10/2002	Tchan	D3/279
D563,101 S	3/2008	Kuchler	
7,398,868 B2	7/2008	Morszeck	
D590,154 S	4/2009	Hopwood et al.	
D613,054 S	4/2010	Morszeck	
7,886,884 B2	2/2011	King et al.	
D642,379 S	8/2011	Buller	
D644,435 S *	9/2011	Weng	D3/279
D644,436 S	9/2011	Buller	
D648,129 S *	11/2011	Badanjo	D3/279
D648,938 S	11/2011	Meersschaert et al.	
D649,351 S	11/2011	Willi	

D666,000 S 8/2012 Gifford
2011/0114430 A1* 5/2011 Tsai 190/18 A

* cited by examiner

Primary Examiner — Jennifer Rivard

(74) *Attorney, Agent, or Firm* — Dorsey & Whitney LLP

(57) **CLAIM**

What is claimed is the ornamental design for a suitcase, as shown and described.

DESCRIPTION

FIG. 1 is a perspective view showing the front and right side of the suitcase of Applicant's present invention.

FIG. 2 is a perspective view showing the back and right side of the suitcase of Applicant's present invention with the wheels shown in an alternate position.

FIG. 3 is a front elevation view of the suitcase of Applicant's present invention with the wheels shown in an alternate position.

FIG. 4 is a rear elevation view of the suitcase of Applicant's present invention with the wheels shown in an alternate position.

FIG. 5 is a right side elevation view of the suitcase of Applicant's present invention with the wheels shown in an alternate position.

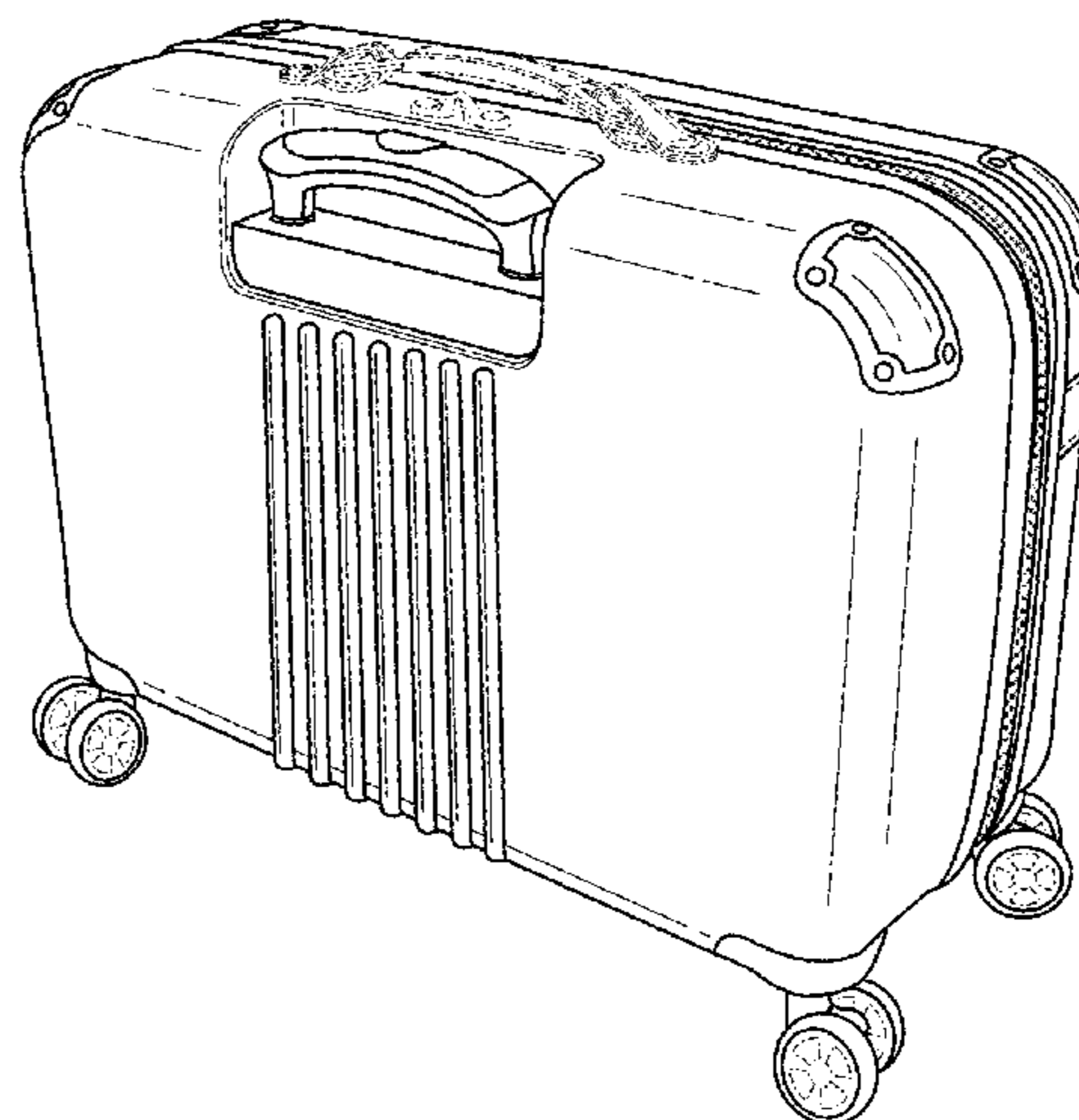
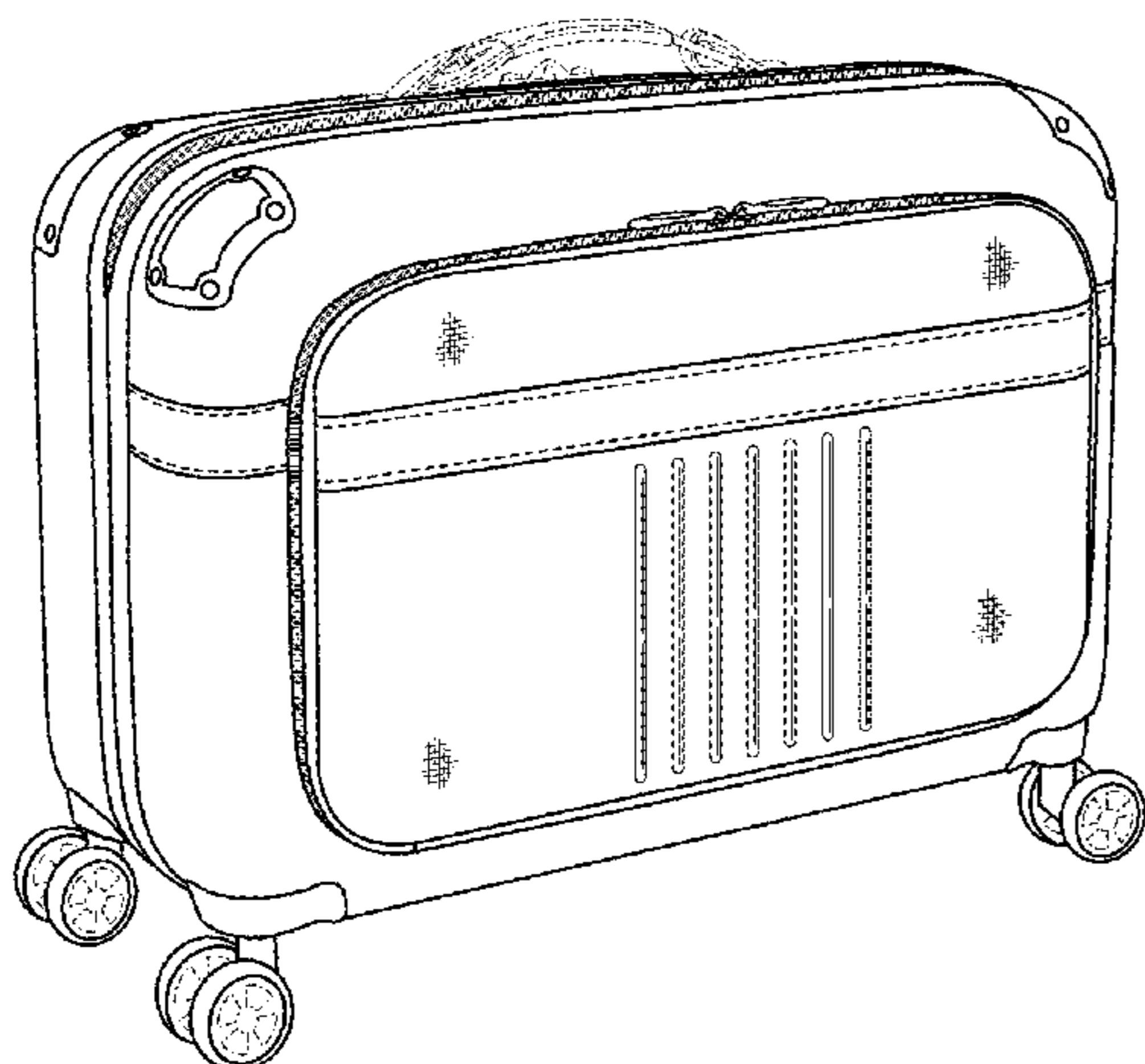
FIG. 6 is a left side elevation view of the suitcase of Applicant's present invention with the wheels shown in an alternate position.

FIG. 7 is a top plan view of the suitcase of Applicant's present invention; and,

FIG. 8 is a bottom plan view of the suitcase of Applicant's present invention with the wheels shown in an alternate position.

The dash-dash lines in FIGS. 1, 3, and 5-8 indicate stitching and are part of the claimed design. The dash-dot-dash lines shown in FIGS. 1-8 are for illustrative purposes only and form no part of the claimed design.

1 Claim, 4 Drawing Sheets



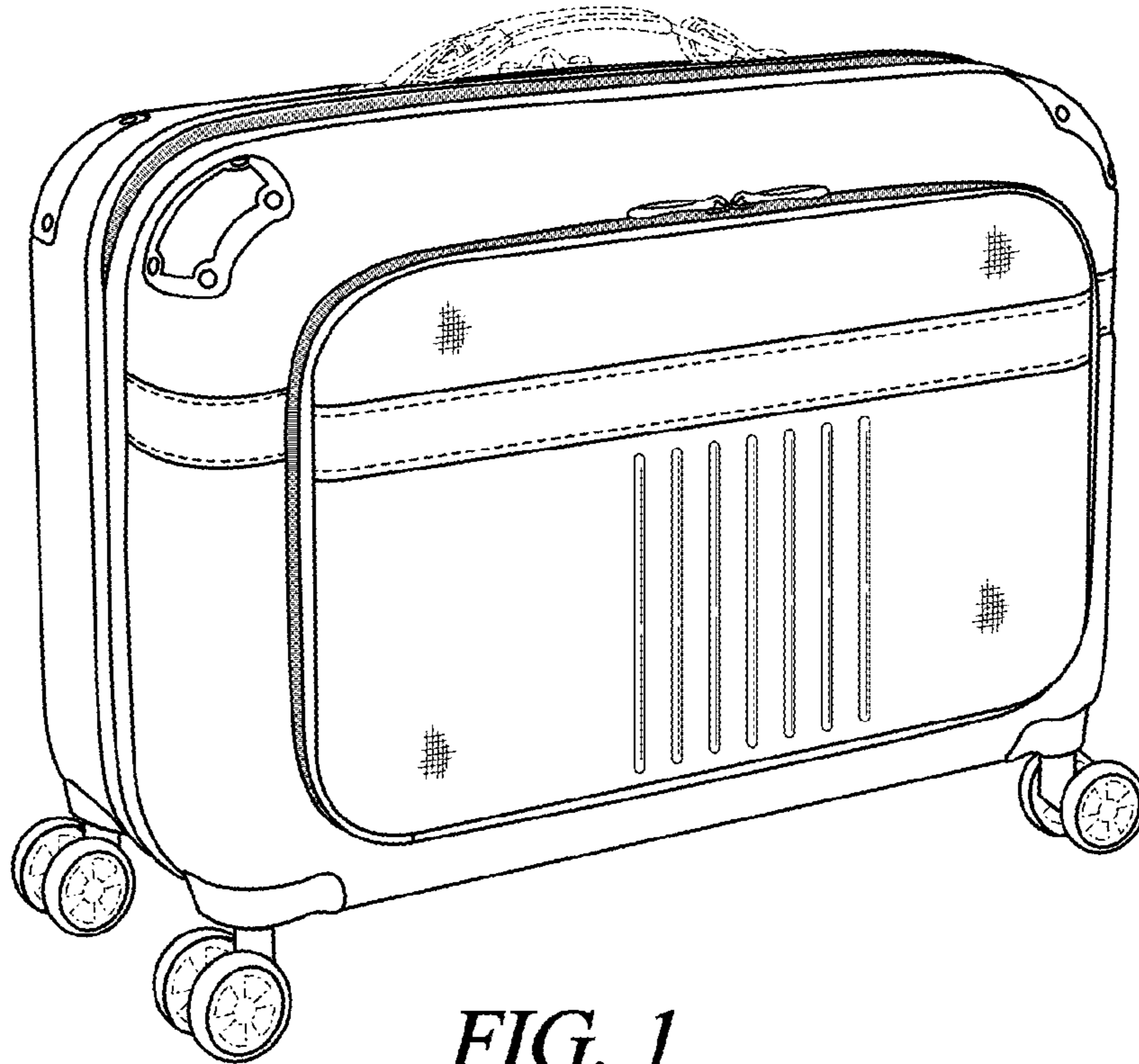


FIG. 1

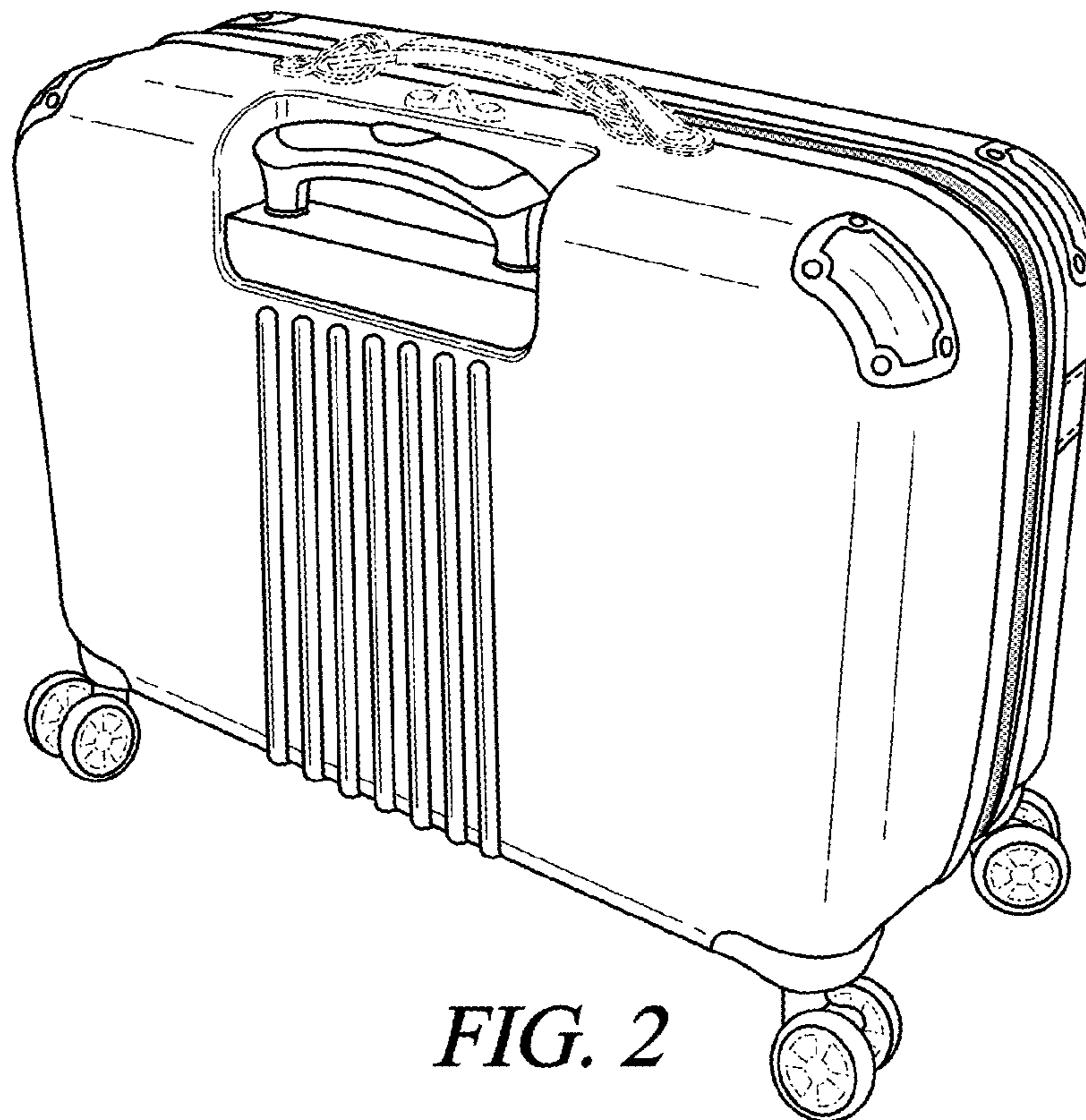


FIG. 2

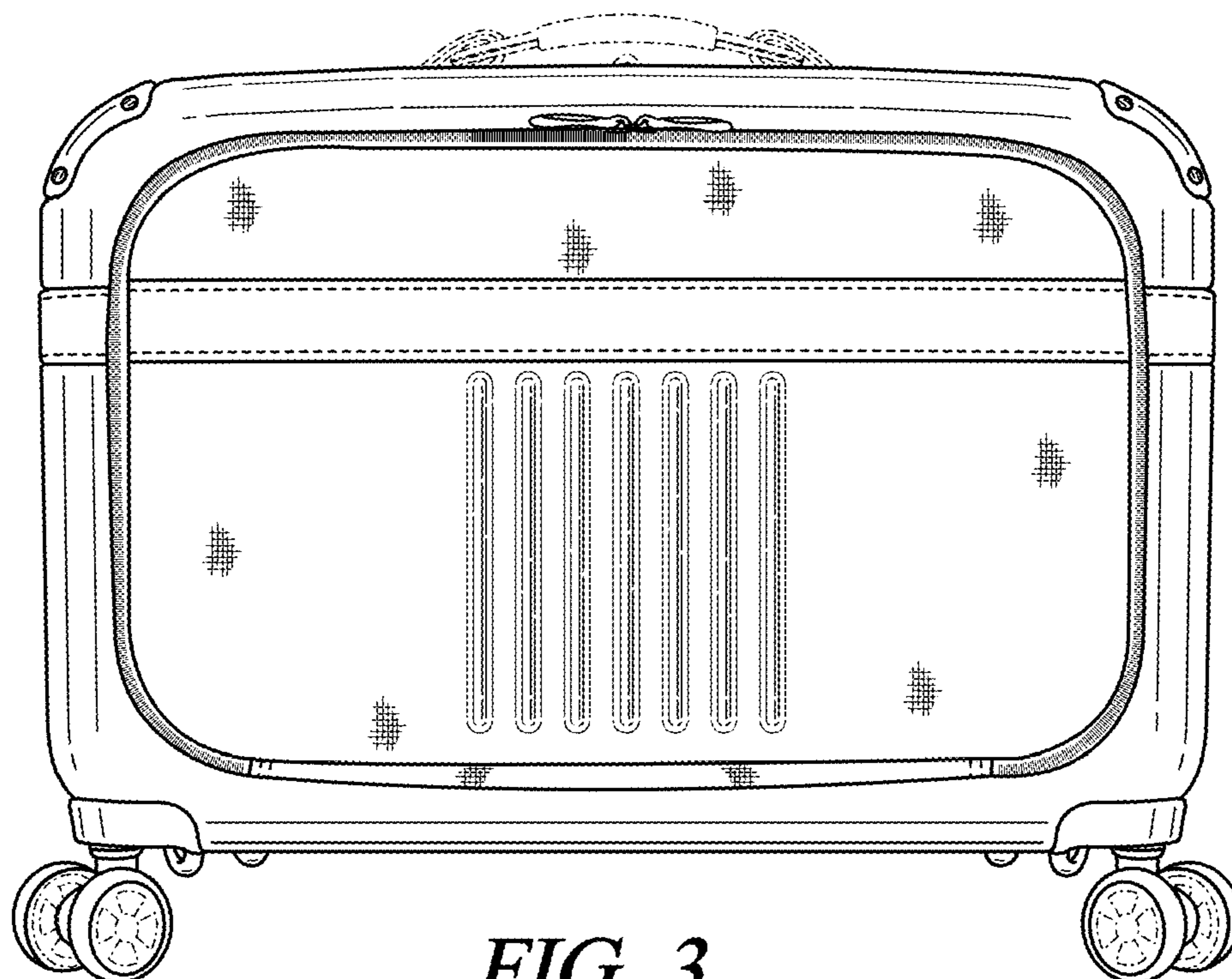


FIG. 3

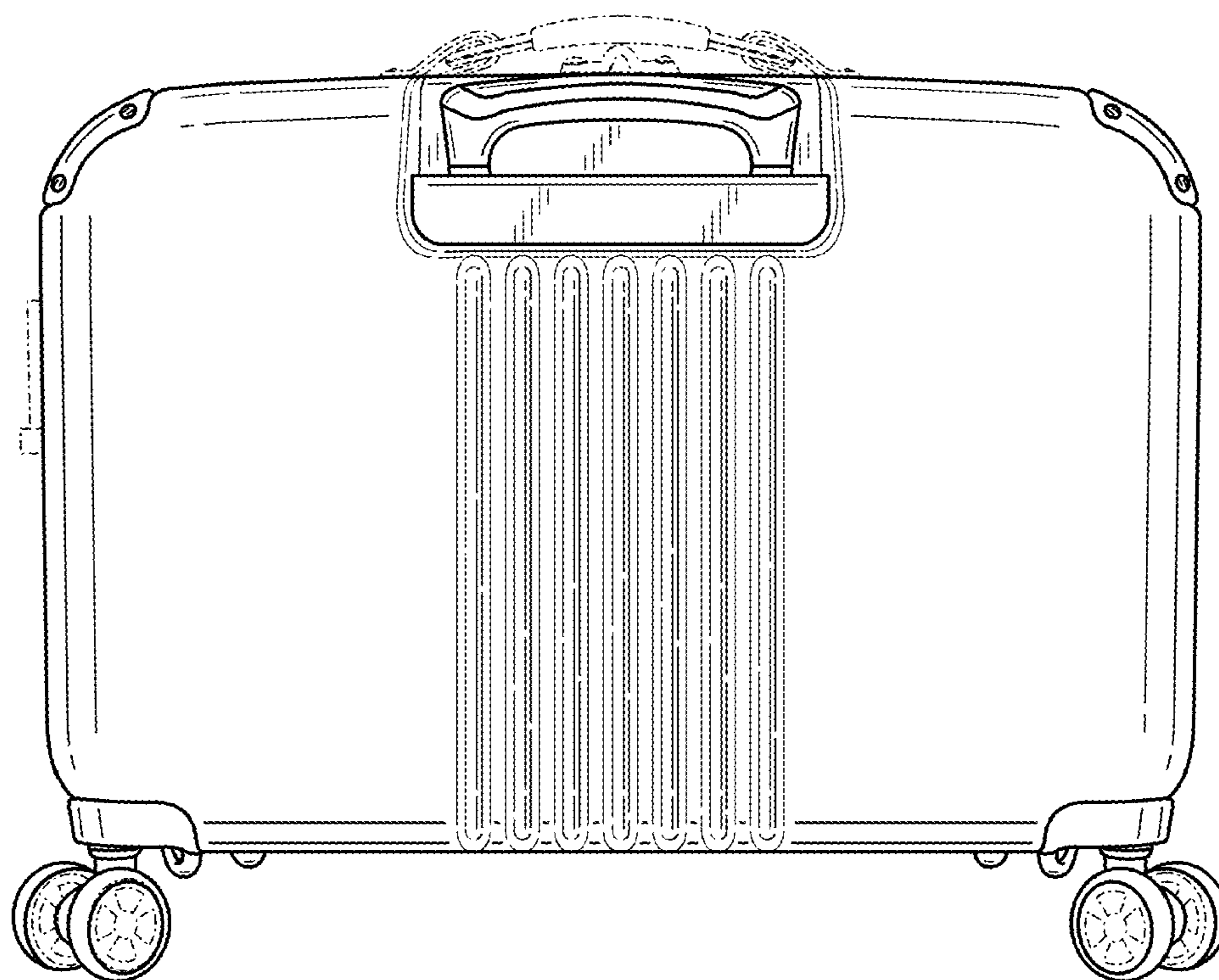


FIG. 4

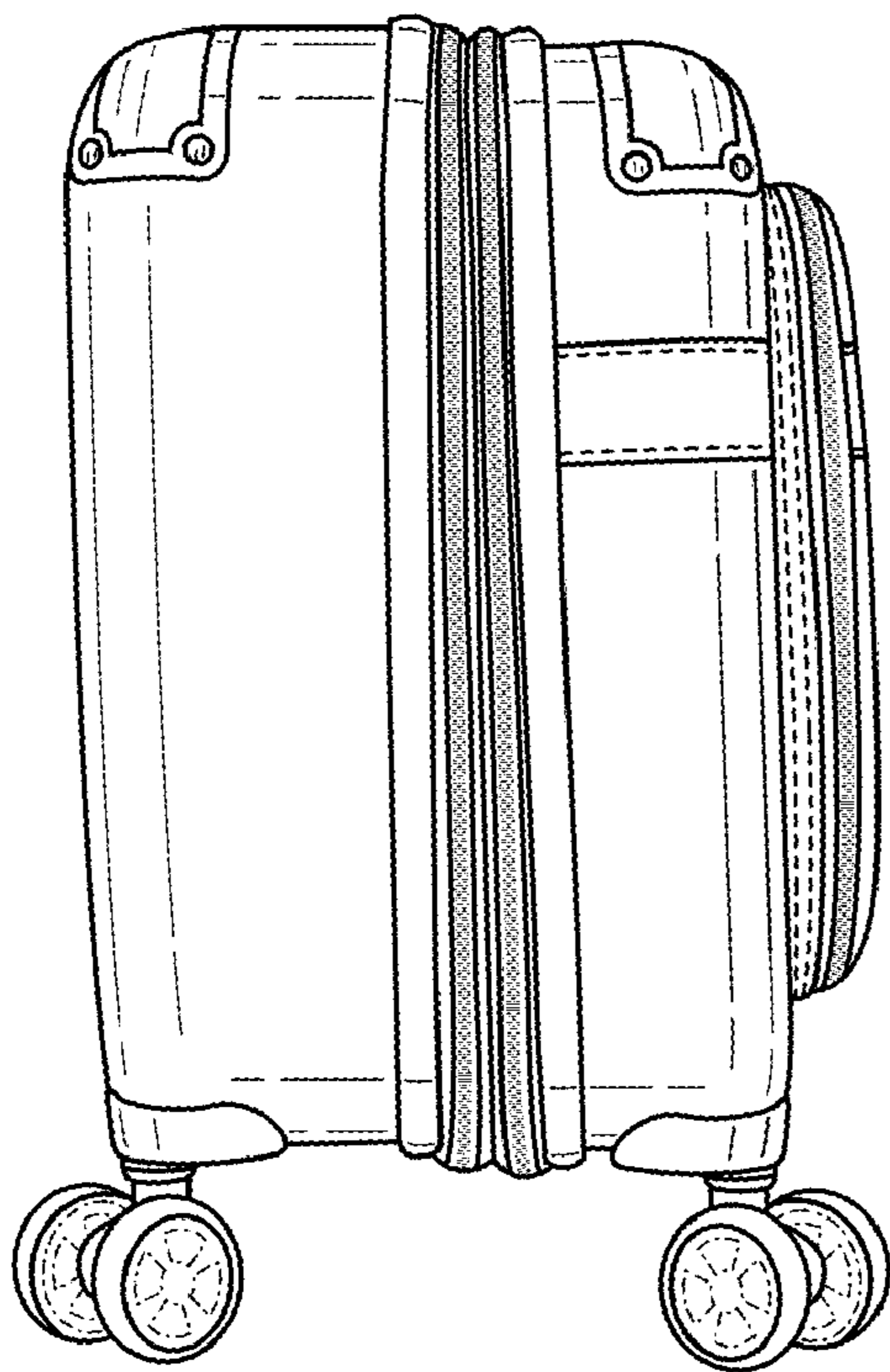


FIG. 5

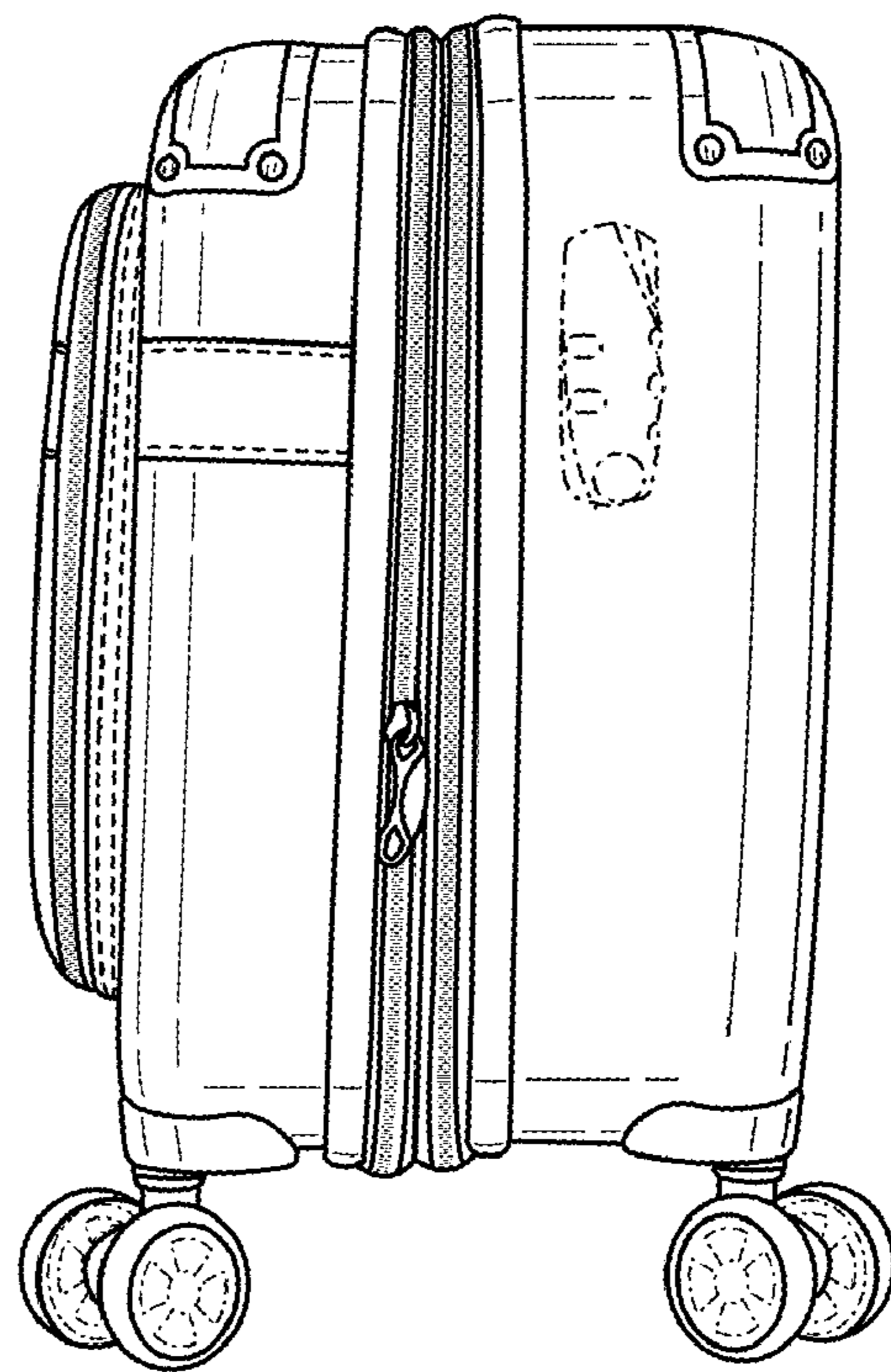


FIG. 6

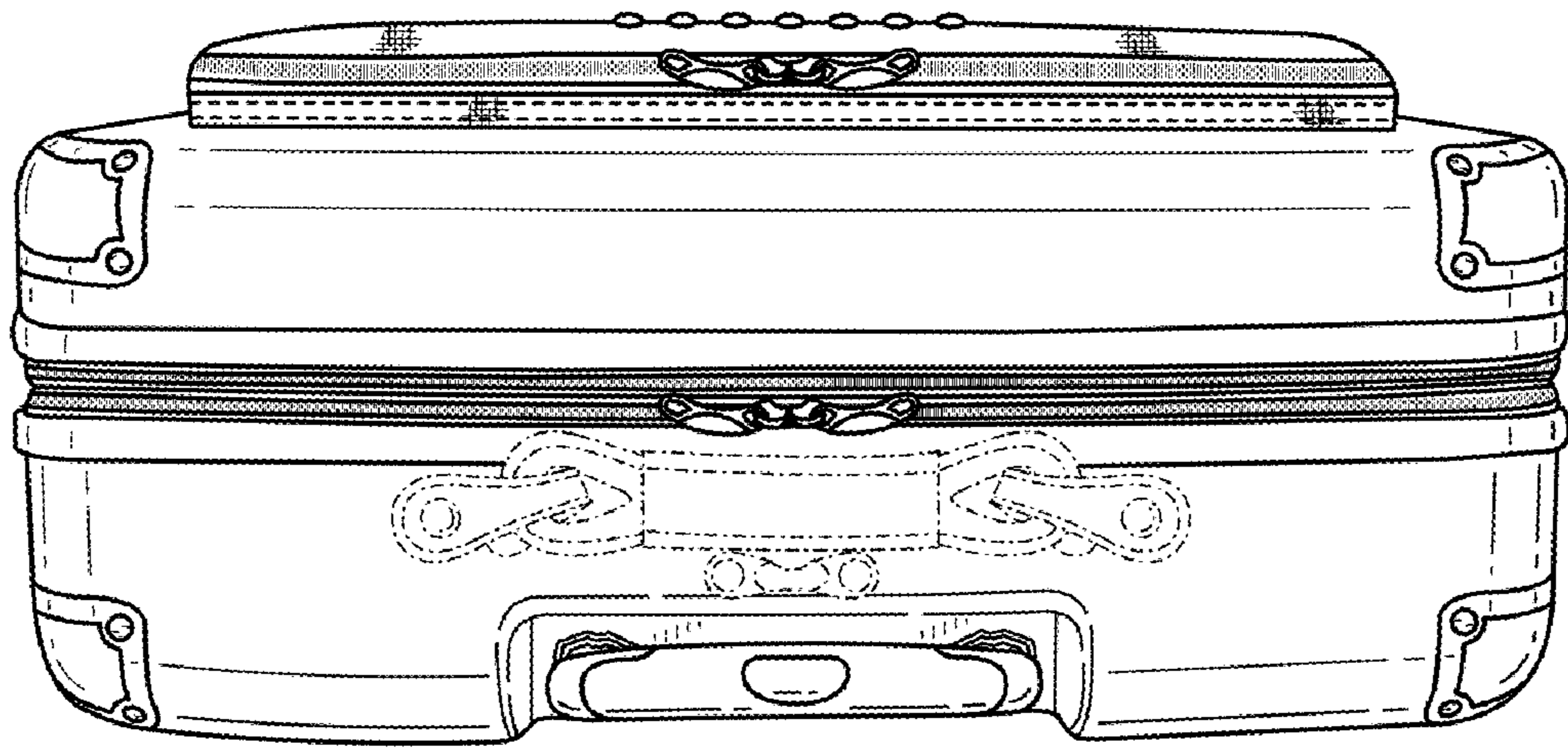


FIG. 7

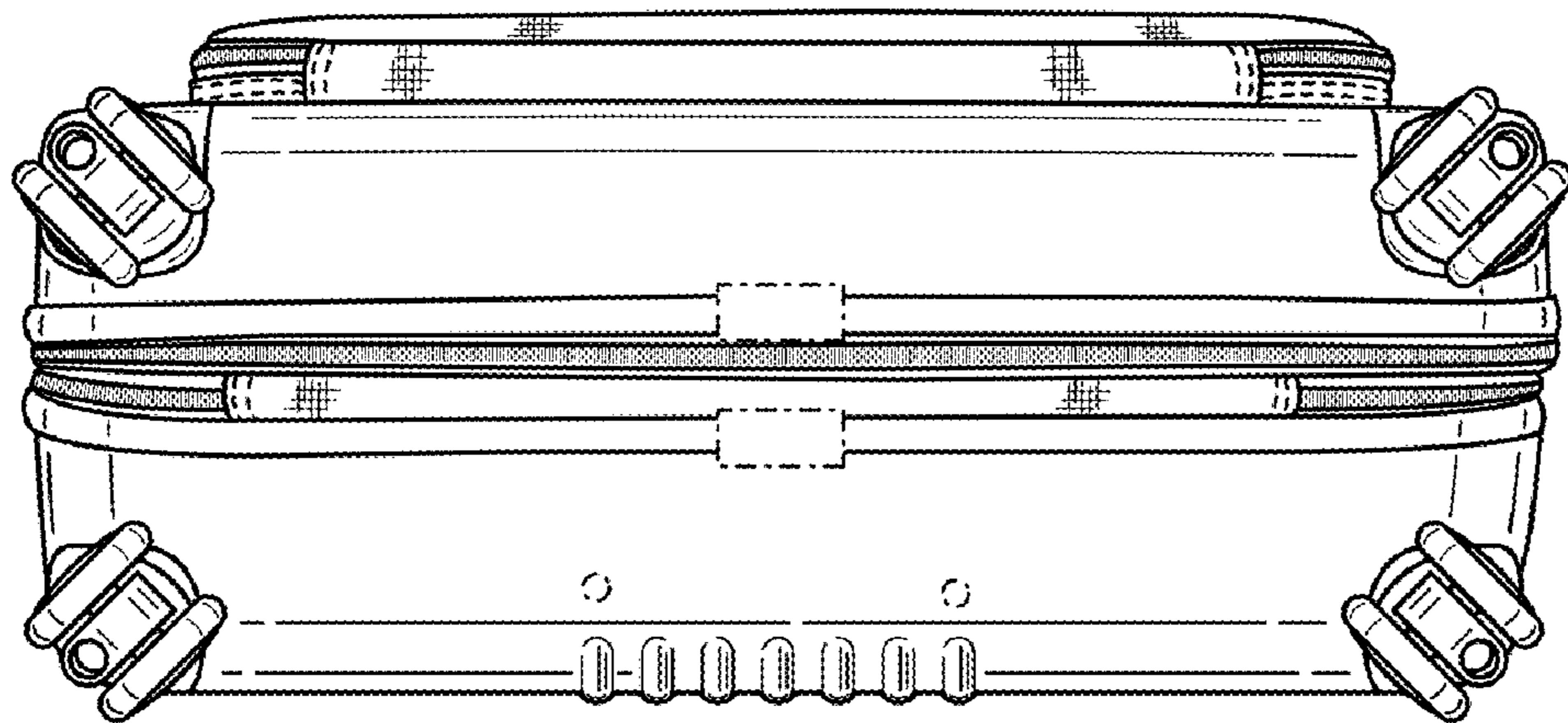


FIG. 8