



US00D675014S

(12) **United States Design Patent**  
**Adelman et al.**

(10) **Patent No.:** **US D675,014 S**  
(45) **Date of Patent:** **\*\* Jan. 29, 2013**

(54) **CLIP**

D613,498 S \* 4/2010 Tsai ..... D3/218  
7,980,435 B2 \* 7/2011 Tages ..... 224/269  
D644,428 S \* 9/2011 Feng ..... D3/218

(75) Inventors: **Gregory M. Adelman**, Boulder, CO (US); **William R. Brennan, Jr.**, Longmont, CO (US); **Richard N. Case**, Boulder, CO (US)

(73) Assignee: **Nite Ize, Inc.**, Boulder, CO (US)

(\*\*) Term: **14 Years**

(21) Appl. No.: **29/410,579**

(22) Filed: **Jan. 9, 2012**

**Related U.S. Application Data**

(63) Continuation-in-part of application No. 13/196,762, filed on Aug. 2, 2011.

(51) **LOC (9) Cl.** ..... **03-01**

(52) **U.S. Cl.** ..... **D3/218**

(58) **Field of Classification Search** ..... D3/218,  
D3/215, 219, 201, 269; 224/196, 269, 640,  
224/646, 666, 669, 678, 930; 379/445, 455;  
248/442.2, 205.2, 918; 40/725, 776  
See application file for complete search history.

(56) **References Cited**

**U.S. PATENT DOCUMENTS**

6,478,282 B1 \* 11/2002 Flemming ..... 248/442.2  
D606,739 S \* 12/2009 Fahrendorff et al. .... D3/218  
D609,460 S \* 2/2010 Riccardi ..... D3/218

**OTHER PUBLICATIONS**

U.S. Appl. No. 13/196,762, filed Aug. 2, 2011.  
U.S. Appl. No. 29/410,572, filed Jan. 9, 2012.  
U.S. Appl. No. 29/410,574, filed Jan. 9, 2012.  
U.S. Appl. No. 29/410,576, filed Jan. 9, 2012.  
U.S. Appl. No. 29/410,577, filed Jan. 9, 2012.  
Acor, Acor present Volara 4E, Mar. 2, 2008; <http://acor.com/volara.htm>.

\* cited by examiner

*Primary Examiner* — Catheri Oliver-Garcia

(74) *Attorney, Agent, or Firm* — Patton Boggs LLP

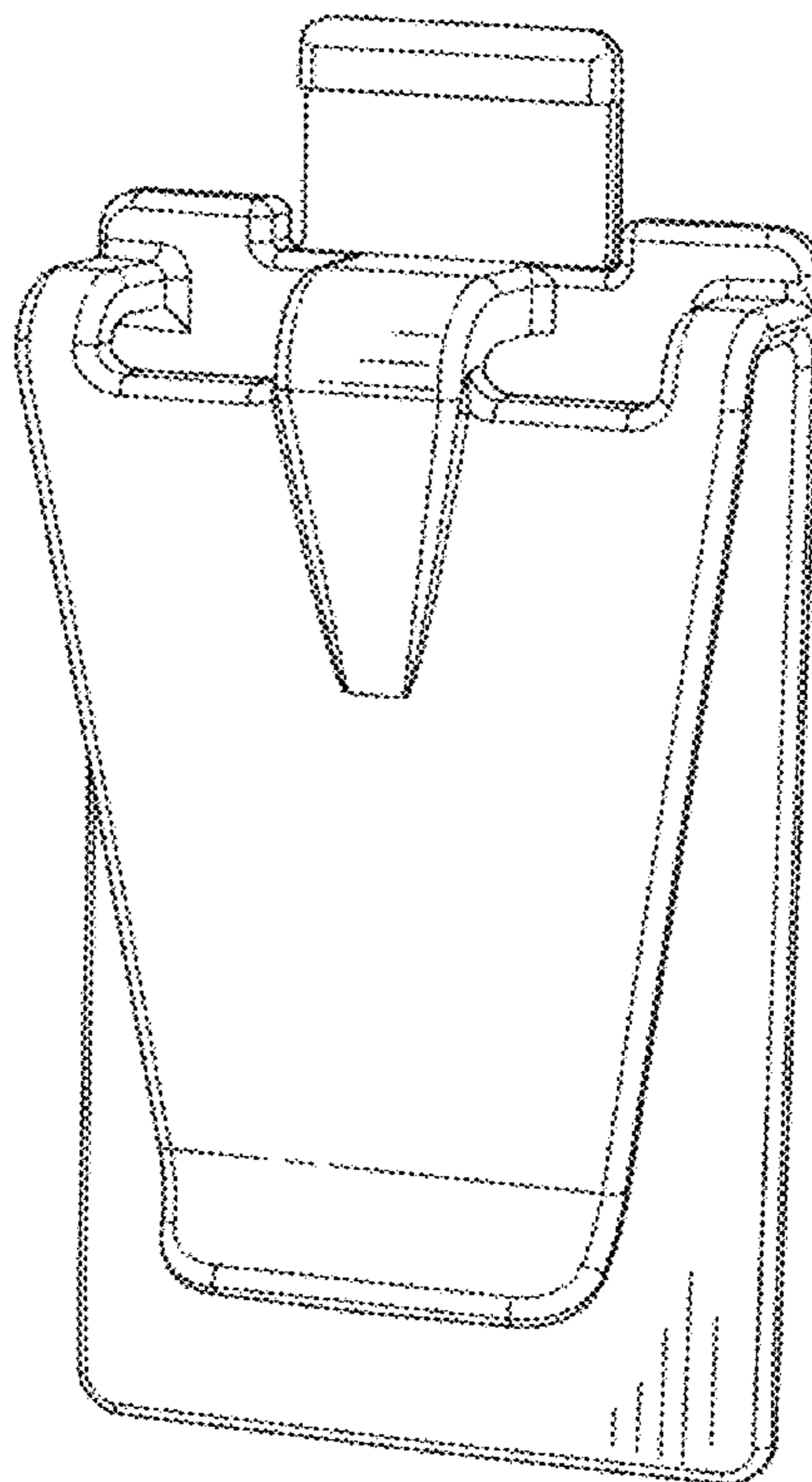
(57) **CLAIM**

The ornamental design for a clip, as shown and described.

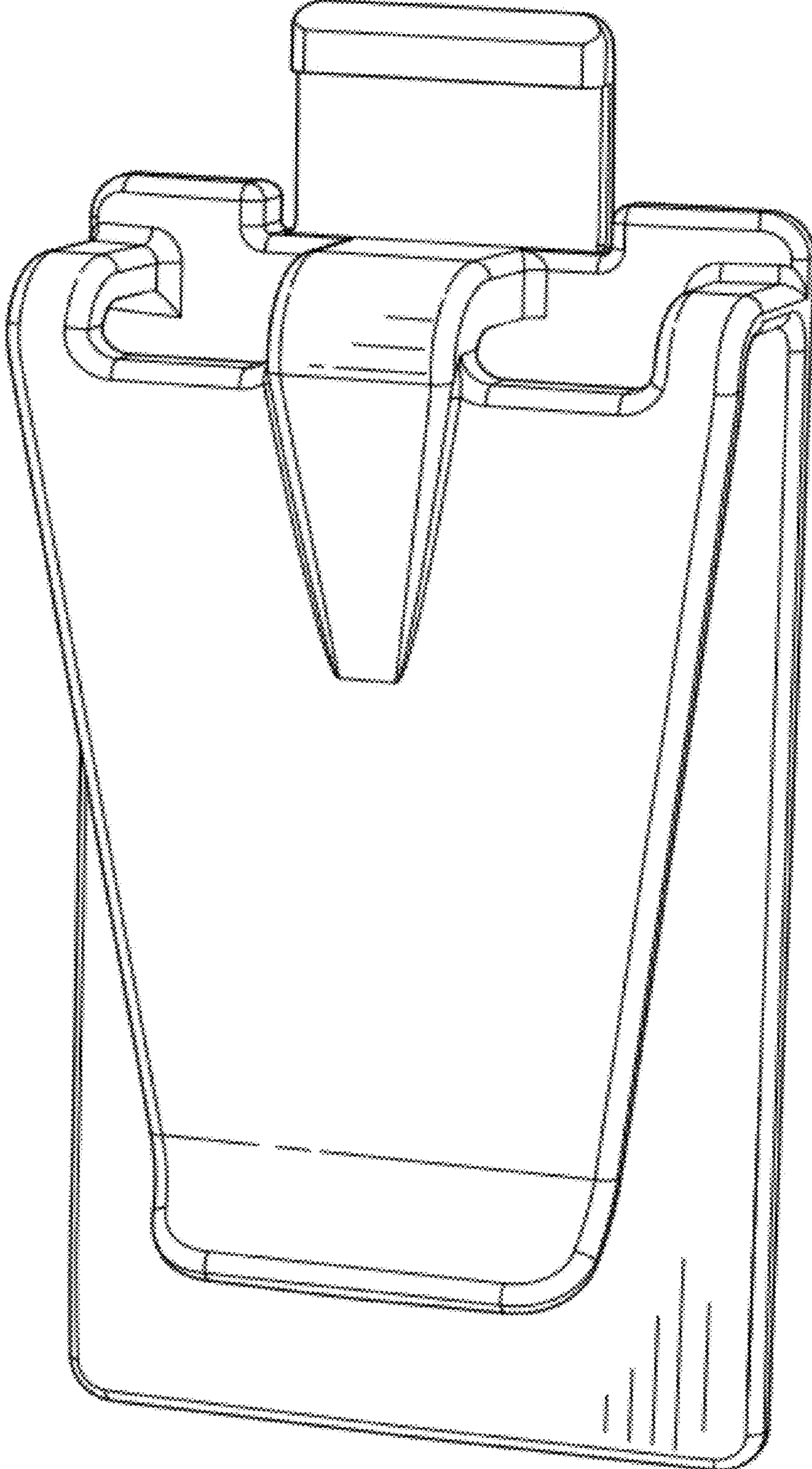
**DESCRIPTION**

FIG. 1 is a front perspective view of a clip;  
FIG. 2 is a rear perspective view of the clip of FIG. 1;  
FIG. 3 is a front view of the clip of FIG. 1;  
FIG. 4 is a rear view of the clip of FIG. 1;  
FIG. 5 is a left side view of the clip of FIG. 1;  
FIG. 6 is a right side view of the clip of FIG. 1;  
FIG. 7 is a top view of the clip of FIG. 1; and,  
FIG. 8 is a bottom view of the clip of FIG. 1.

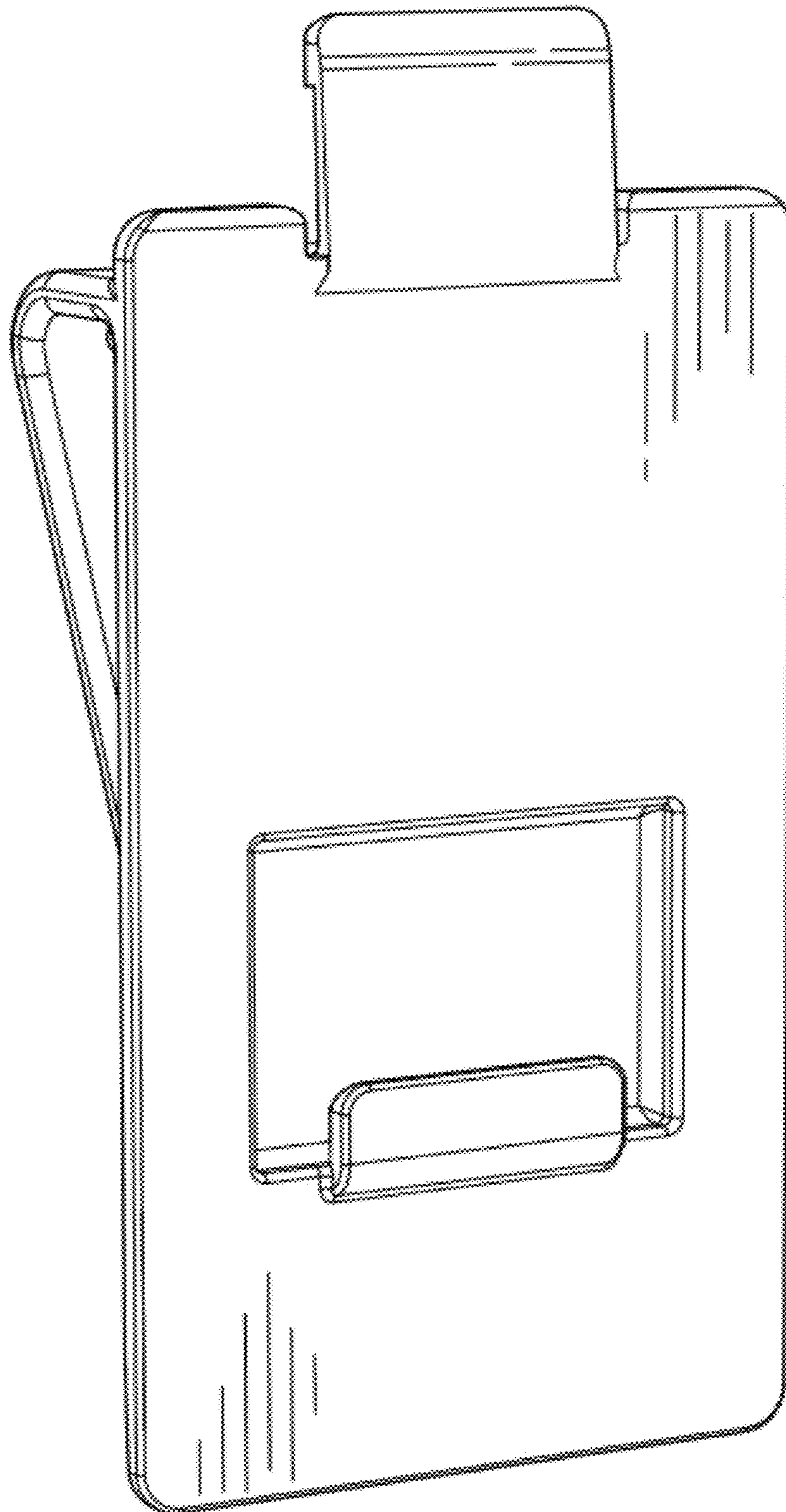
**1 Claim, 6 Drawing Sheets**



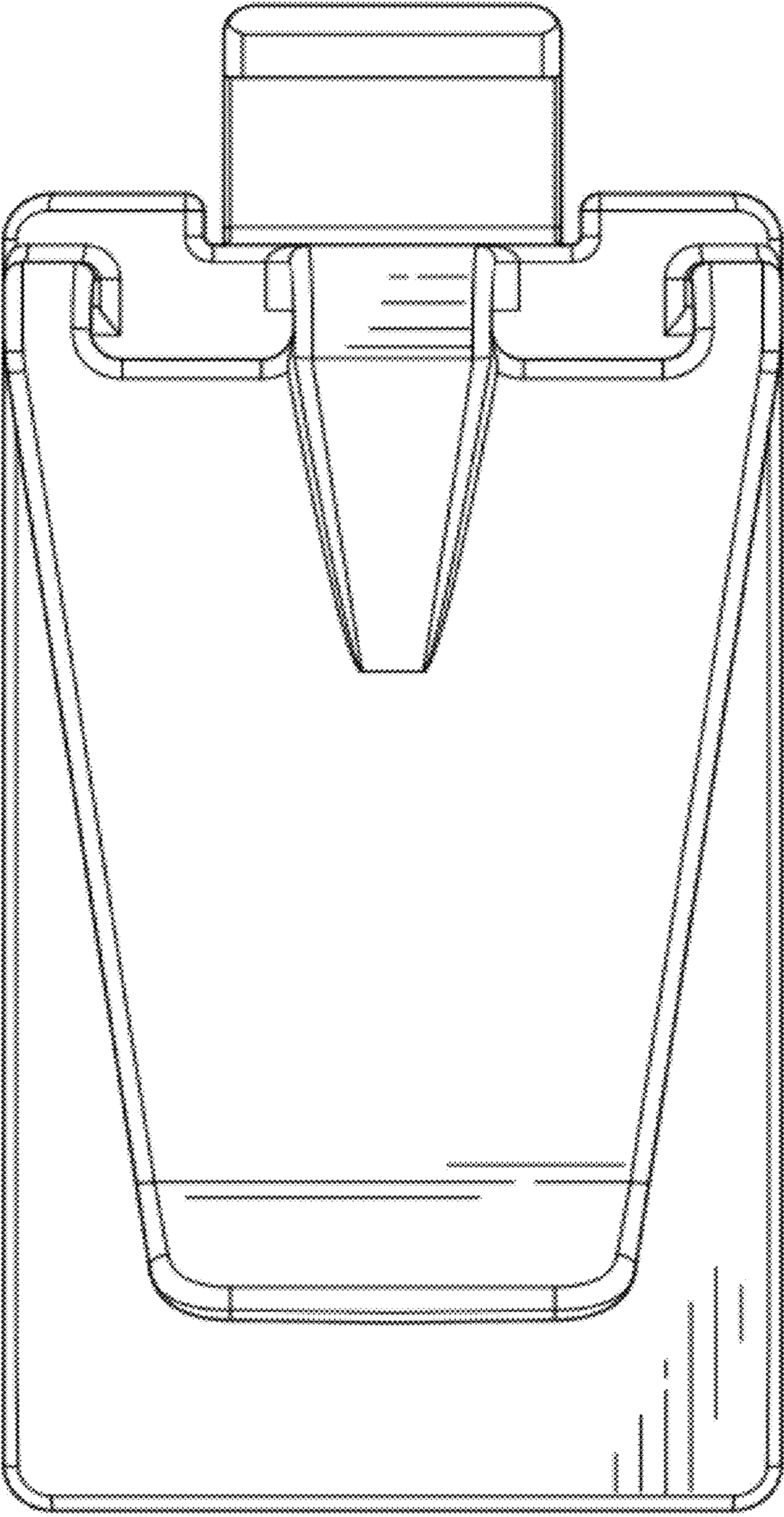
**FIG. 1**



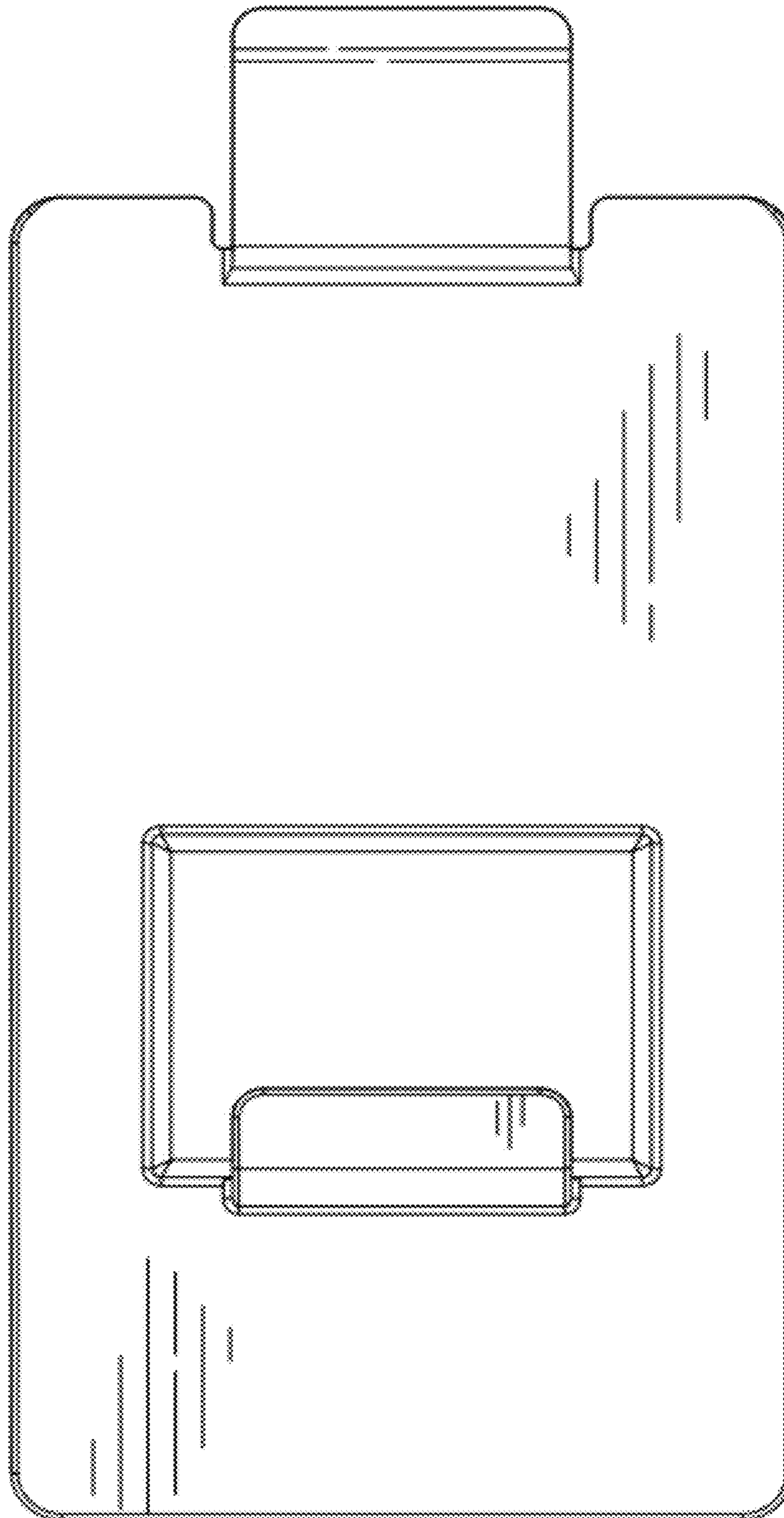
**FIG. 2**



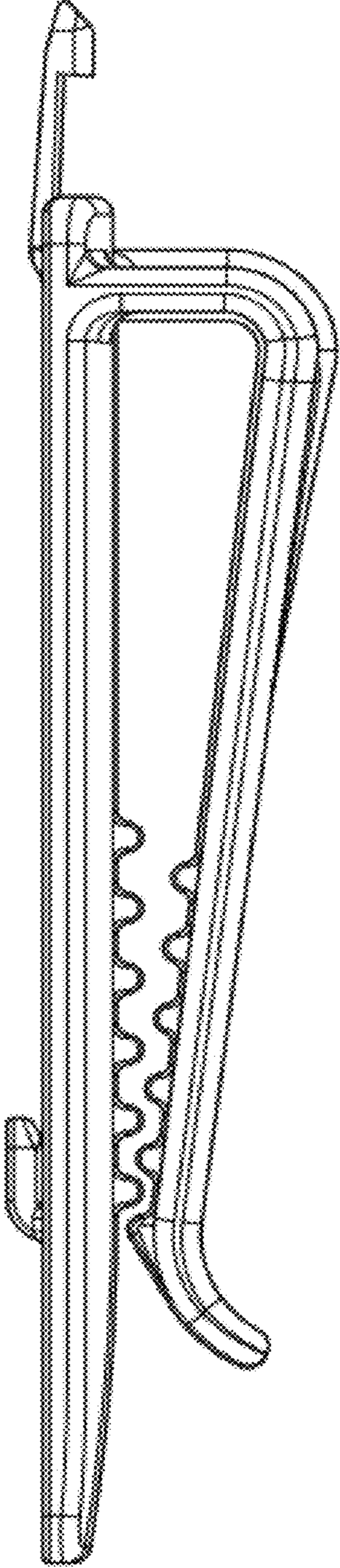
**FIG. 3**



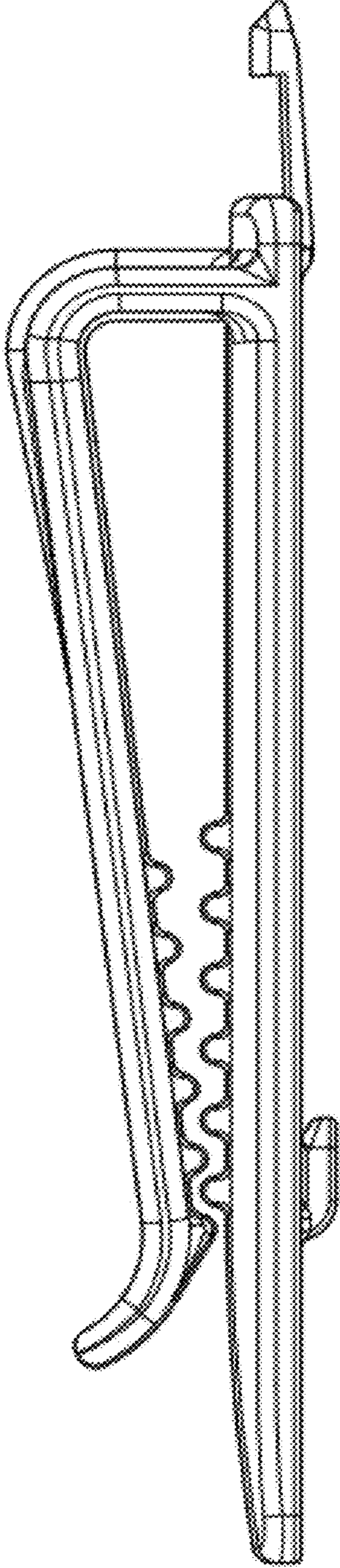
**FIG. 4**



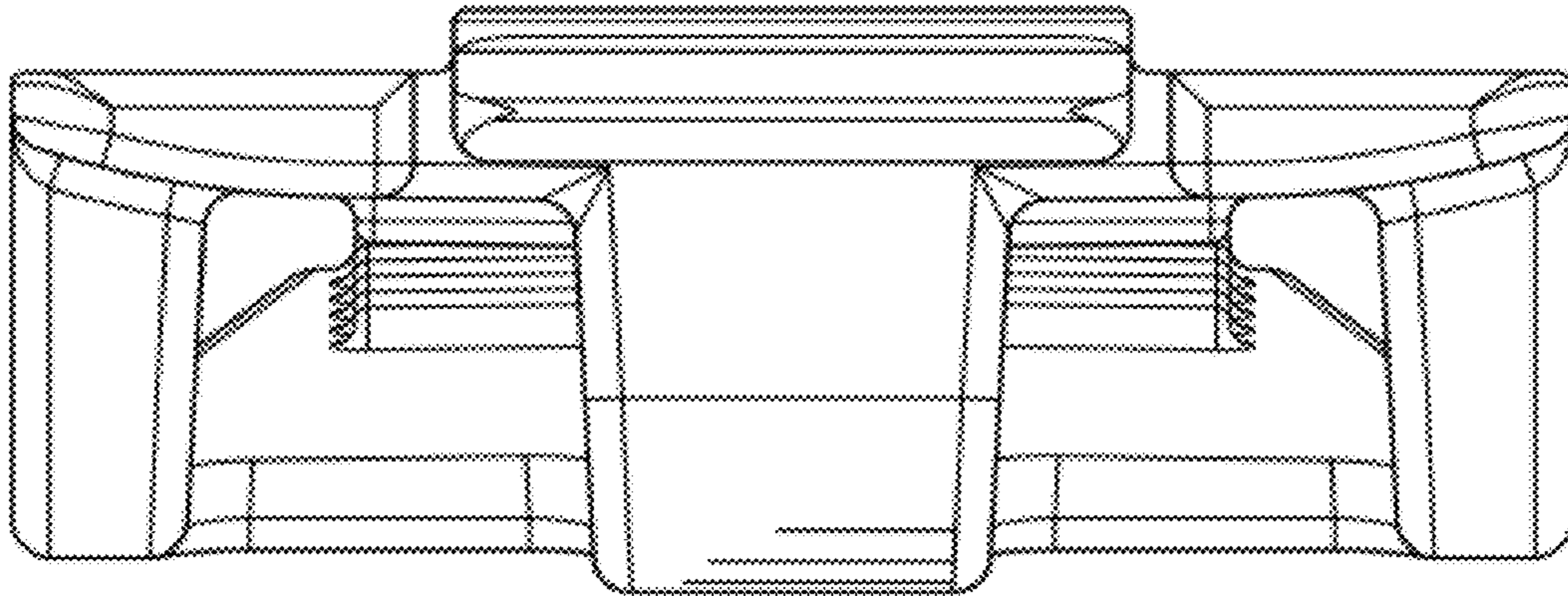
**FIG. 5**



**FIG. 6**



**FIG. 7**



**FIG. 8**

