



US00D675013S

(12) **United States Design Patent**
Votel et al.

(10) **Patent No.:** **US D675,013 S**
(45) **Date of Patent:** **** Jan. 29, 2013**

- (54) **DUAL RETRACTABLE LANYARD**
- (75) Inventors: **Thomas Votel**, Sunfish Lake, MN (US);
Justin Kostner, Minneapolis, MN (US);
Jeffrey A. Popowski, Roseville, MN (US)
- (73) Assignee: **Tenacious Holdings, Inc.**, St. Paul, MN (US)
- (**) Term: **14 Years**
- (21) Appl. No.: **29/422,414**
- (22) Filed: **May 21, 2012**

Related U.S. Application Data

- (63) Continuation of application No. 29/408,430, filed on Dec. 13, 2011.
- (51) **LOC (9) Cl.** **03-01**
- (52) **U.S. Cl.** **D3/215**
- (58) **Field of Classification Search** D3/215,
D3/207-212; D8/18, 38; 24/3.6, 3.11, 3.13;
40/1.5, 1.6, 661.04, 661.05; 70/456 R, 459;
119/796; 242/376, 378.3, 379, 379.2; D11/7
See application file for complete search history.

(56) **References Cited**

U.S. PATENT DOCUMENTS

529,402 A	11/1894	McDougall	
721,460 A	2/1902	McDougall	
1,053,848 A *	2/1913	Milcinsky	70/459
1,120,341 A	12/1914	Smith	
1,232,299 A	7/1917	Hance	
1,374,459 A	4/1921	Lichty	
1,465,281 A	8/1923	Morrison	
1,567,783 A	12/1925	Best	
1,826,465 A	10/1931	Gilman	
2,087,176 A	7/1937	Webb	
2,311,823 A	2/1943	Gaskill	
2,435,081 A	1/1948	Howard	
2,525,890 A	10/1950	Gage	
2,706,967 A	4/1955	Iannelli	
2,713,327 A	7/1955	West	
2,732,148 A	1/1956	Lummis	

2,987,043 A	6/1961	Spindler
3,054,573 A	9/1962	Spencer
3,062,478 A	11/1962	Adachi et al.
3,100,608 A	8/1963	Goldfarb
3,233,591 A	2/1966	Rogers et al.
3,547,371 A	12/1970	Gruseck
3,672,597 A	6/1972	Williamson
3,693,596 A	9/1972	Croce et al.
3,968,670 A	7/1976	Quenot
4,146,191 A	3/1979	Cavanaugh
4,269,150 A	5/1981	McCarthy
4,286,387 A	9/1981	Di Diego
4,501,230 A	2/1985	Talo
4,580,347 A	4/1986	McKnight
4,620,506 A	11/1986	Stubbs
4,662,078 A	5/1987	Gammon et al.
4,800,843 A	1/1989	Wendling
5,022,351 A	6/1991	Daniels
5,031,577 A	7/1991	Flugger
5,044,323 A	9/1991	Papak
5,079,851 A	1/1992	Sill
5,230,117 A	7/1993	Johnson et al.
5,353,747 A	10/1994	Fain
5,358,158 A	10/1994	Darr
5,363,680 A	11/1994	Wu

(Continued)

Primary Examiner — Catheri Oliver-Garcia
(74) *Attorney, Agent, or Firm* — Skaar Ulbrich Macari, PA

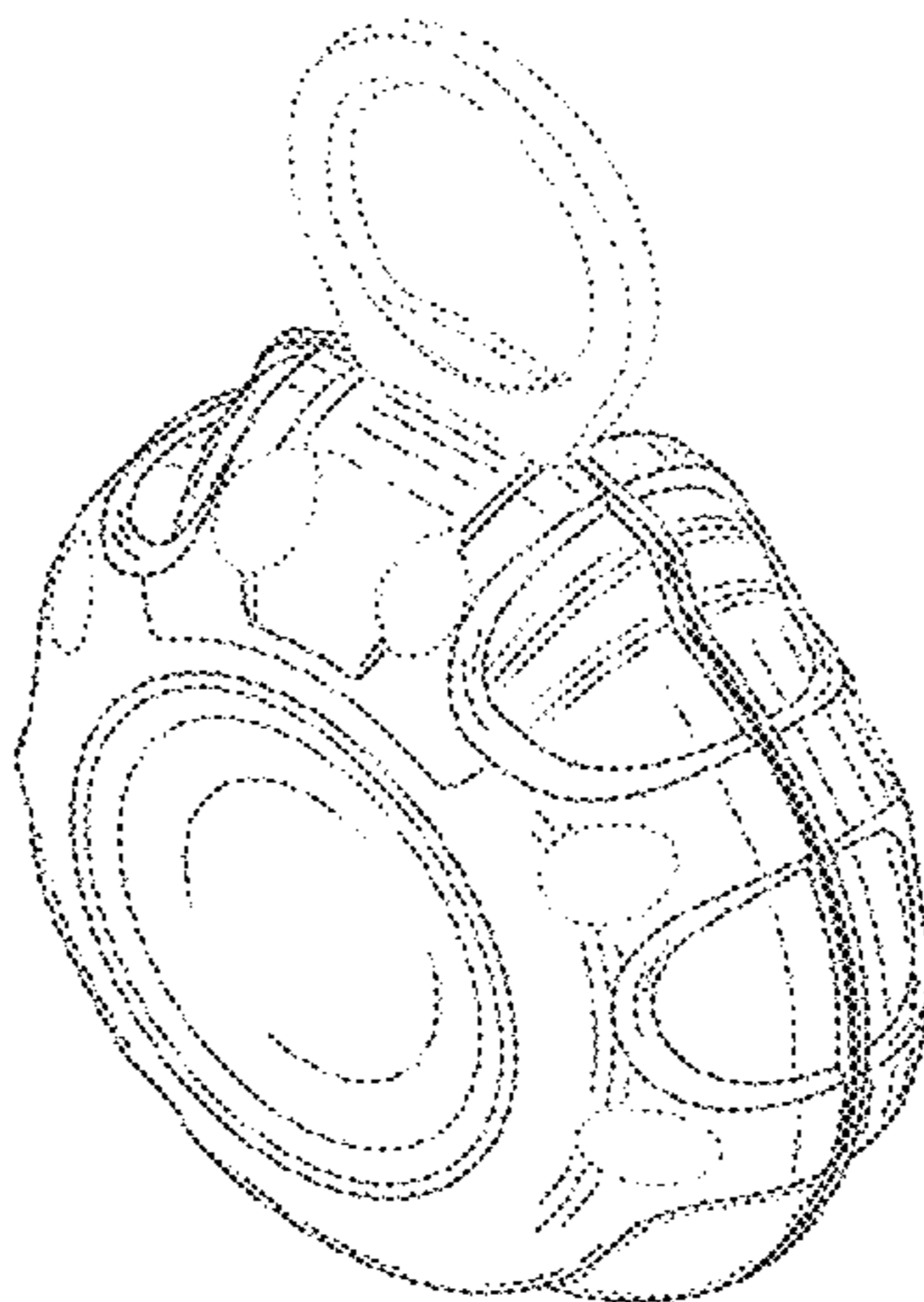
(57) **CLAIM**

We claim the ornamental design for a dual retractable lanyard, as shown and described.

DESCRIPTION

FIG. 1 is a perspective view of our dual retractable lanyard. FIG. 2 is a front view thereof. FIG. 3 is a rear view thereof. FIG. 4 is a side view thereof. FIG. 5 is a side view thereof. FIG. 6 is a top view thereof; and, FIG. 7 is a bottom view thereof. The broken lines appearing in the figures are not intended to form part of the claimed design and are provided for illustrative purposes only.

1 Claim, 4 Drawing Sheets



US D675,013 S

Page 2

U.S. PATENT DOCUMENTS

5,377,626	A	1/1995	Kilsby et al.	6,401,656	B1	6/2002	Adkisson	
5,462,019	A	10/1995	Hong-Rong et al.	6,405,683	B1	6/2002	Walter et al.	
5,490,805	A	2/1996	Bredesen	6,419,175	B1	7/2002	Rankin, VI	
5,674,437	A	10/1997	Geisel	6,434,797	B1 *	8/2002	Sagman	24/3.13
5,732,662	A	3/1998	Jacobsen	6,487,756	B1	12/2002	Vidal, Jr.	
5,740,764	A	4/1998	Jacobsen	6,502,727	B1	1/2003	Decoteau	
5,833,165	A	11/1998	Paugh	6,523,500	B1	2/2003	Zenteno	
5,864,925	A	2/1999	McGee	6,526,918	B1	3/2003	Arnold	
5,887,550	A	3/1999	Levine et al.	6,578,683	B1	6/2003	Burke et al.	
5,938,137	A	8/1999	Poulson	6,584,724	B1	7/2003	Le Blanc	
5,954,288	A	9/1999	Shih	6,612,263	B2	9/2003	Scheid et al.	
5,957,092	A	9/1999	Colsch	6,619,313	B2	9/2003	Boughton et al.	
5,983,836	A	11/1999	Chavez	6,731,956	B2	5/2004	Hanna et al.	
6,056,450	A	5/2000	Walling	6,935,277	B2	8/2005	Vaccari	
6,073,875	A	6/2000	Paugh	6,966,519	B2	11/2005	Salentine et al.	
6,082,656	A	7/2000	Thornton	D514,311	S *	2/2006	Cetera	D3/215
6,112,357	A	9/2000	Halloran	7,007,882	B2	3/2006	Raia et al.	
6,148,773	A	11/2000	Bogdahn	D521,231	S *	5/2006	Ng	D3/208
6,170,775	B1 *	1/2001	Kovacik et al.	7,040,257	B2	5/2006	Waxman et al.	
6,192,835	B1	2/2001	Calhoun et al.	7,354,304	B2	4/2008	Livingston	
6,213,421	B1	4/2001	Franklin	7,380,357	B2	6/2008	Jones et al.	
6,243,921	B1	6/2001	Chang	D608,541	S *	1/2010	Myers	D3/215
6,290,158	B1	9/2001	Huang	7,762,215	B2	7/2010	Horton	
6,314,916	B1	11/2001	Watson, Sr.	D642,376	S *	8/2011	Pennington	D3/215
6,364,237	B1	4/2002	Kagel	D648,522	S *	11/2011	Gorman	D3/215
6,371,056	B1	4/2002	Phillips	D649,346	S *	11/2011	Davidson	D3/215

* cited by examiner

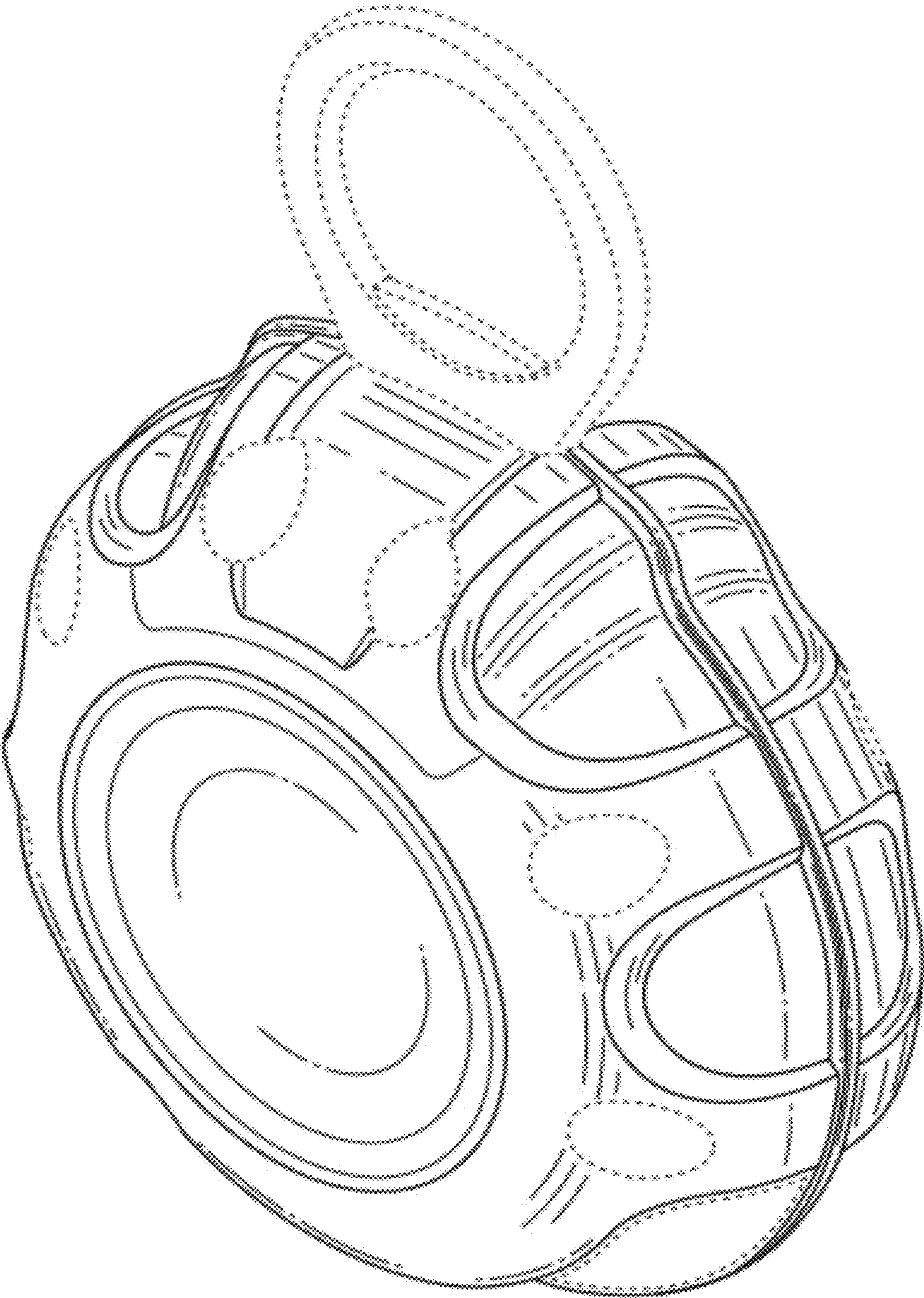


Fig. 1

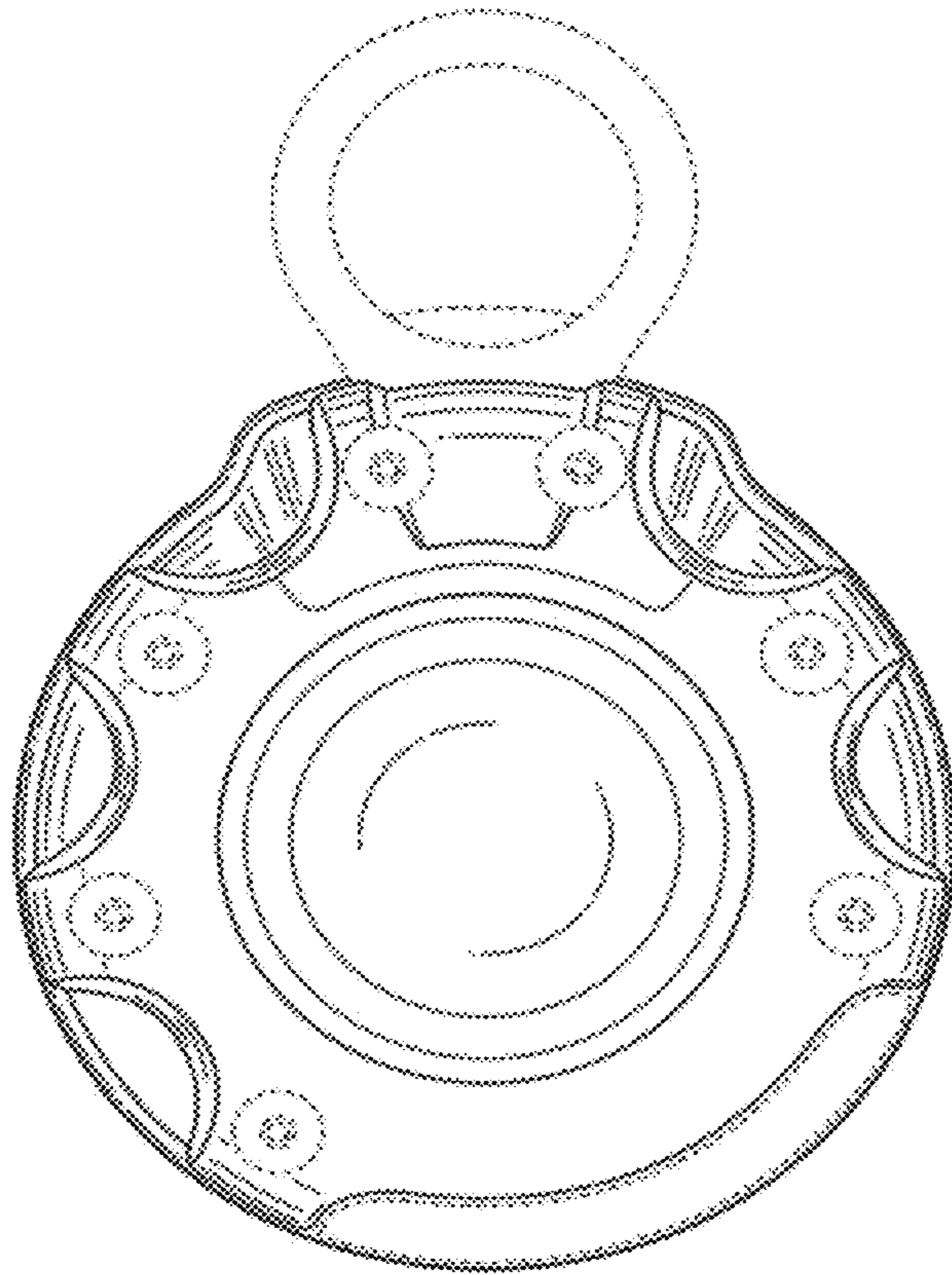


Fig. 2

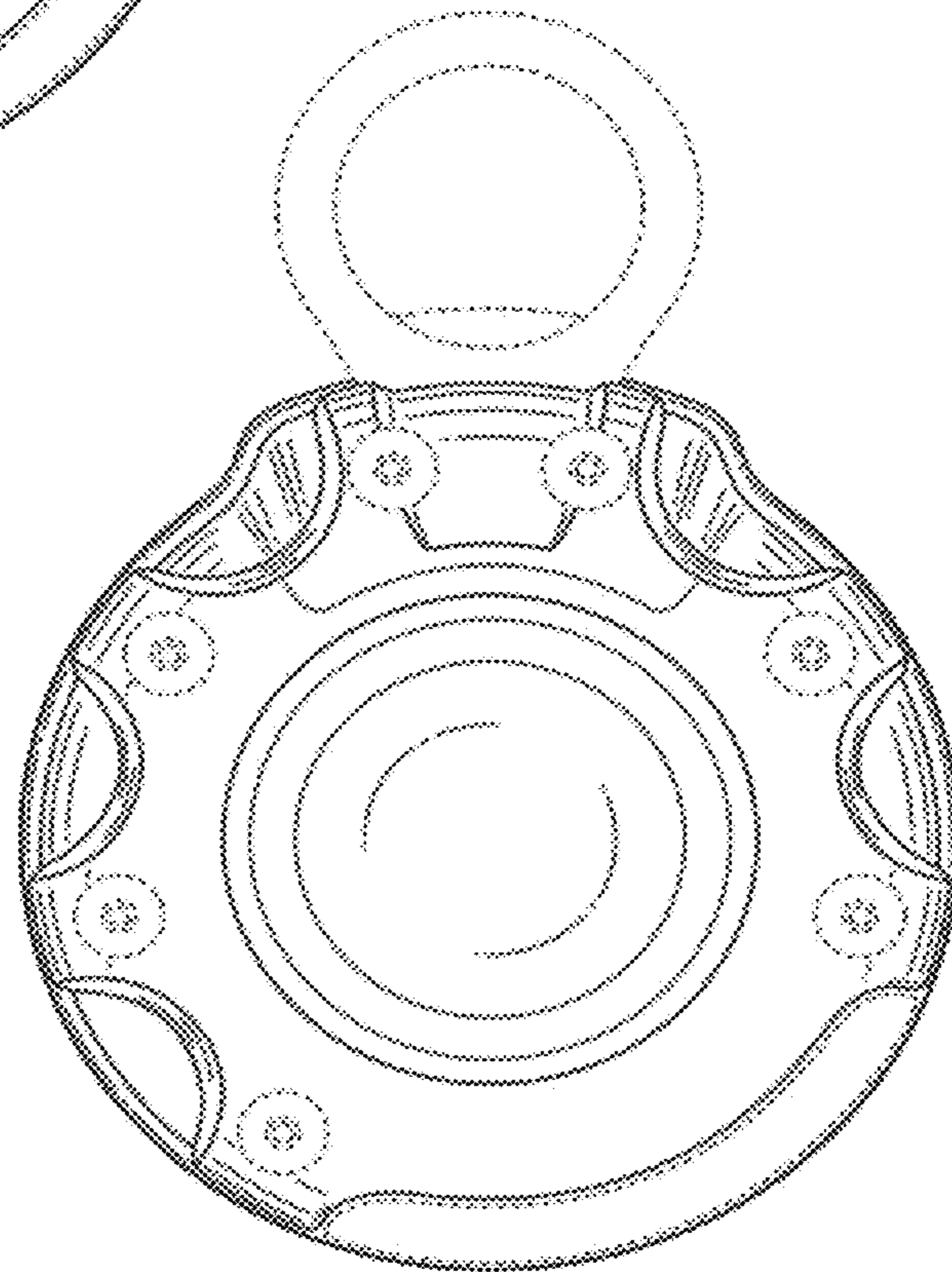


Fig. 3

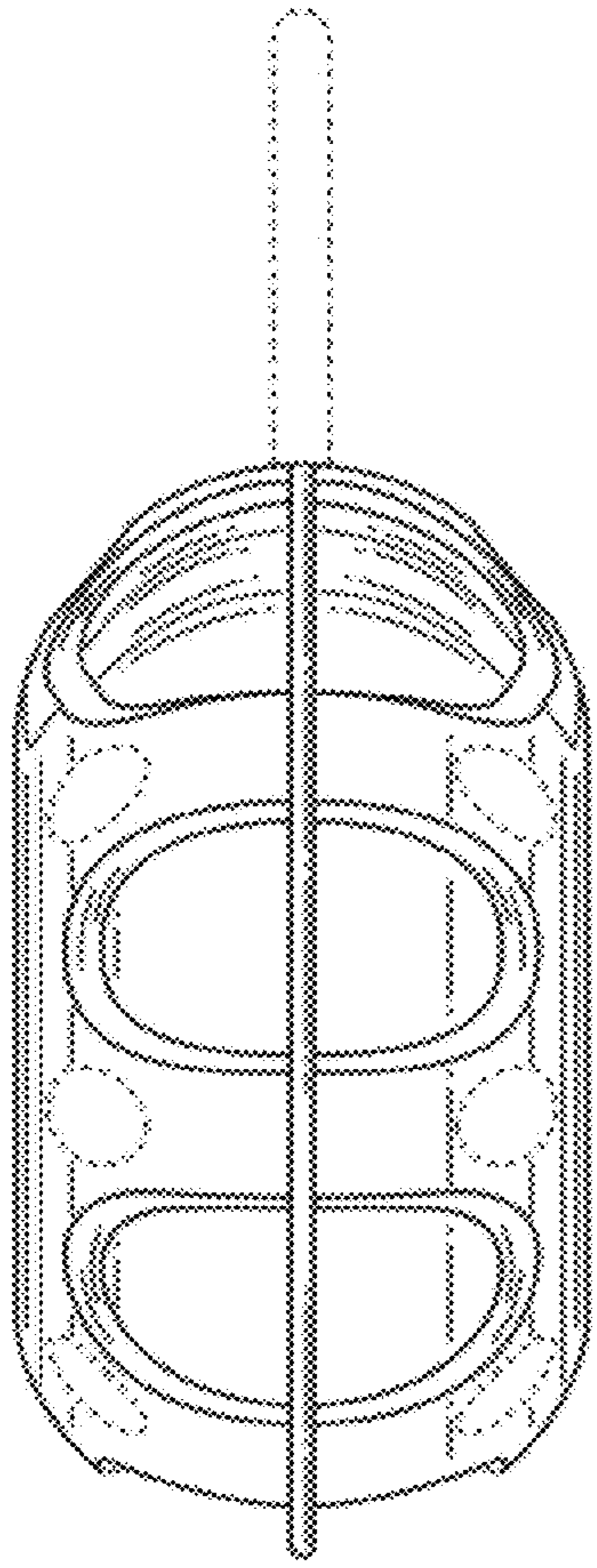


Fig. 4

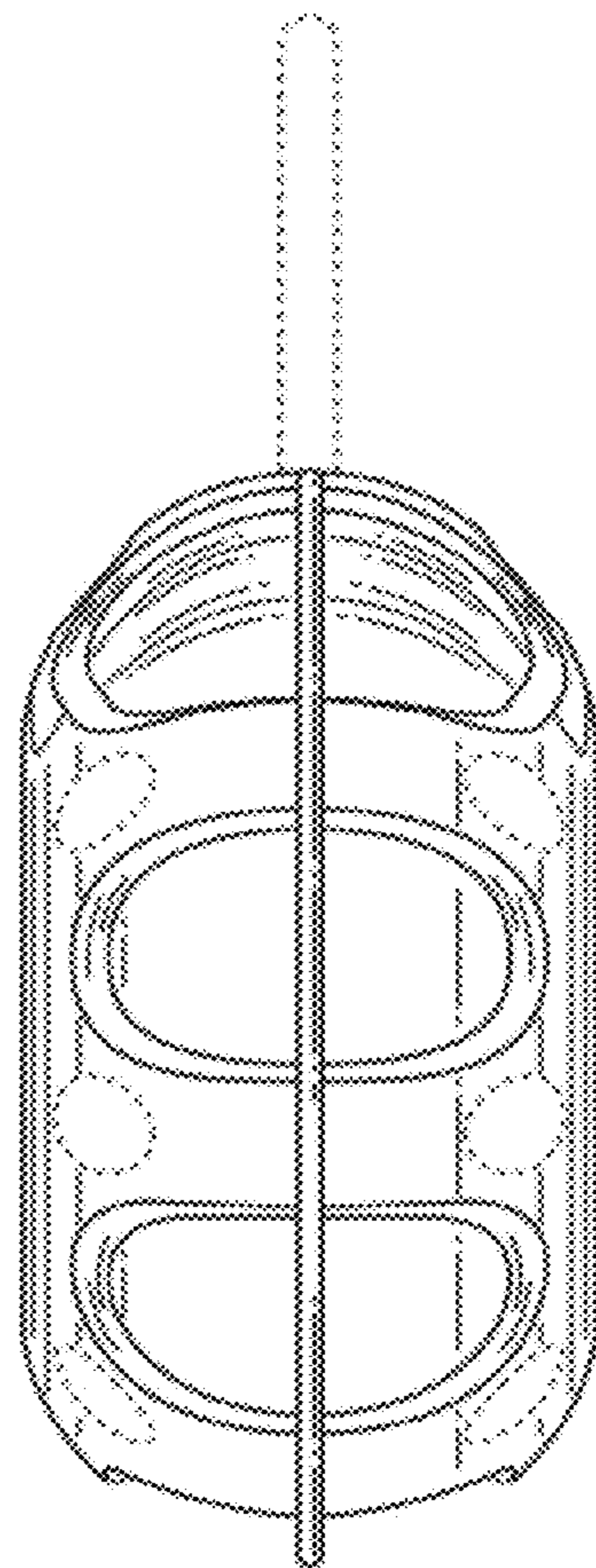


Fig. 5

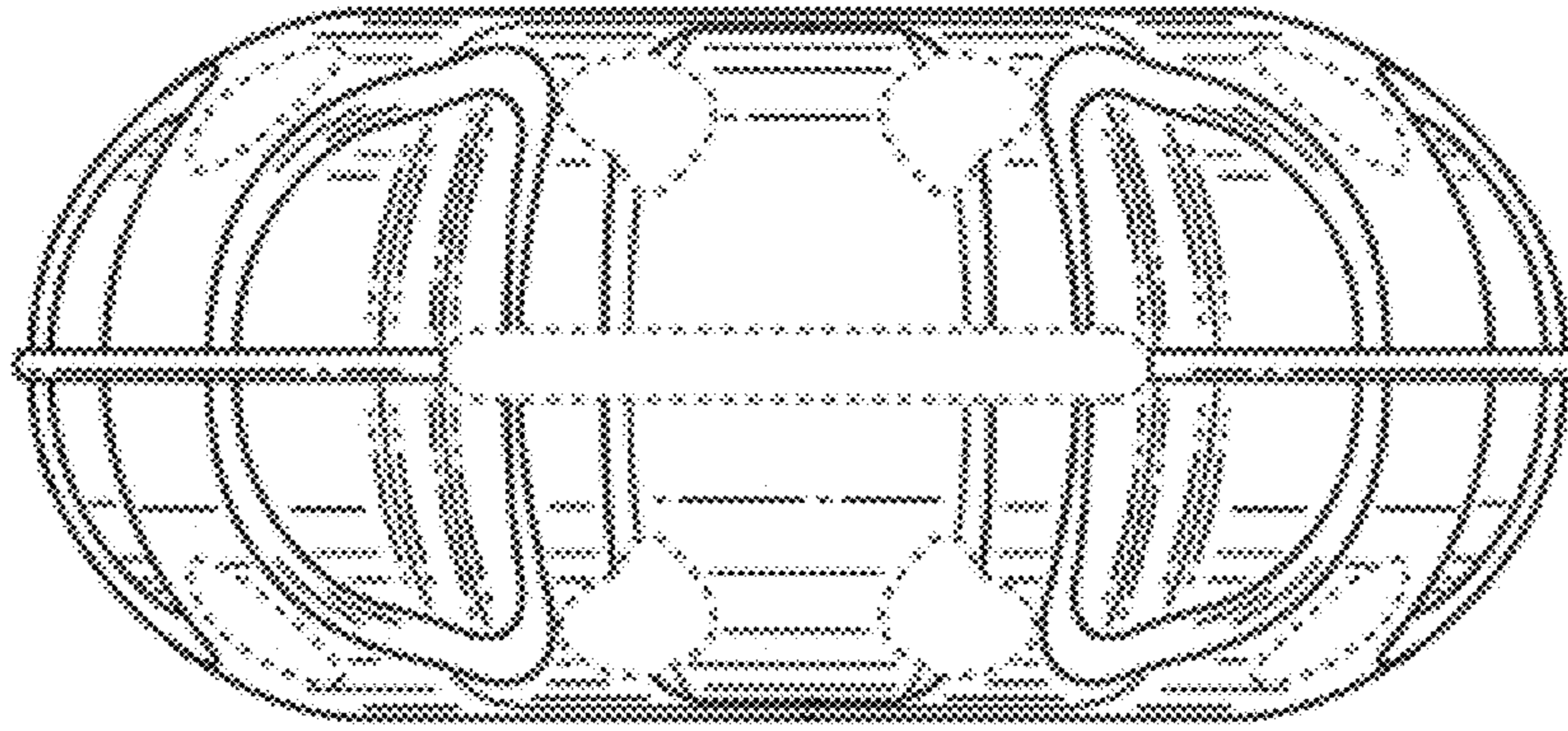


Fig. 6

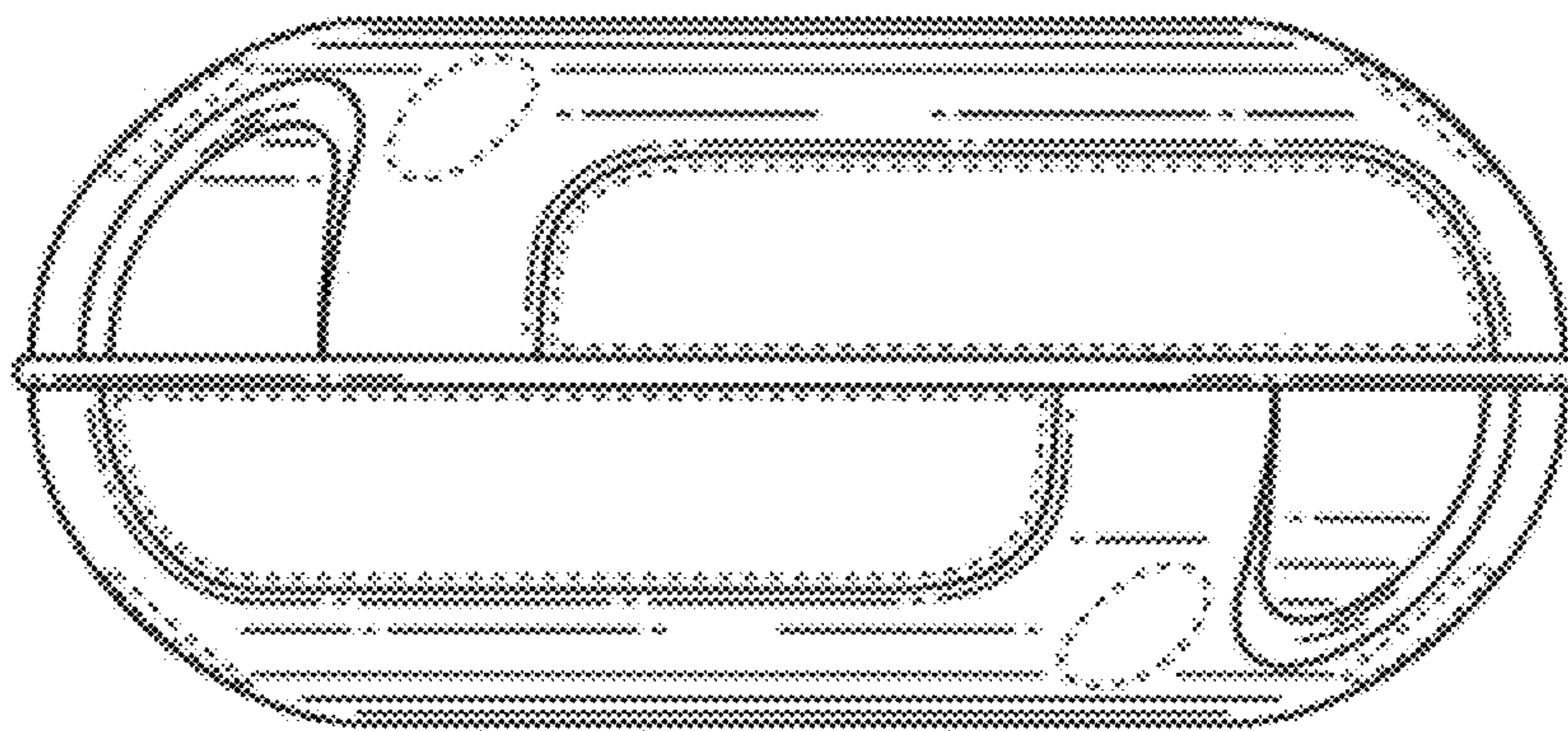


Fig. 7