

US00D675012S

(12) **United States Design Patent**  
**Votel et al.**

(10) **Patent No.:** **US D675,012 S**  
(45) **Date of Patent:** **\*\* Jan. 29, 2013**

- (54) **RETRACTABLE LANYARD**
- (75) Inventors: **Thomas Votel**, Sunfish Lake, MN (US);  
**Justin Kostner**, Minneapolis, MN (US);  
**Jeffrey A. Popowski**, Roseville, MN (US)
- (73) Assignee: **Tenacious Holdings, Inc.**, St. Paul, MN (US)
- (\*\*) Term: **14 Years**
- (21) Appl. No.: **29/422,411**
- (22) Filed: **May 21, 2012**

**Related U.S. Application Data**

- (63) Continuation of application No. 29/408,429, filed on Dec. 13, 2011.
  - (51) **LOC (9) Cl.** ..... **03-01**
  - (52) **U.S. Cl.** ..... **D3/215**
  - (58) **Field of Classification Search** ..... D3/215,  
D3/207-212; D8/18, 38; D11/7; 24/3.6,  
24/3.11, 3.13; 40/1.5, 1.6, 586, 661.04, 661.05;  
70/456 R, 459; 242/376, 379, 378.3, 379.2;  
119/796
- See application file for complete search history.

2,732,148 A	1/1956	Lummis
2,987,043 A	6/1961	Spindler
3,054,573 A	9/1962	Spencer
3,062,478 A	11/1962	Adachi
3,100,608 A	8/1963	Goldfarb
3,233,591 A	2/1966	Rogers et al.
3,547,371 A	12/1970	Gruseck
3,672,597 A	6/1972	Williamson
3,693,596 A	9/1972	Croce et al.
3,968,670 A	7/1976	Quenot
4,146,191 A	3/1979	Cavanaugh
4,269,150 A	5/1981	McCarthy
4,286,387 A	9/1981	Di Diego
4,501,230 A	2/1985	Talo
4,580,347 A	4/1986	McKnight
4,620,506 A	11/1986	Stubbs
4,662,078 A	5/1987	Gammon et al.
4,800,843 A	1/1989	Wendling
5,022,351 A	6/1991	Daniels
5,031,577 A	7/1991	Flugger
5,044,323 A	9/1991	Papak
5,079,851 A	1/1992	Sill
5,230,117 A	7/1993	Johnson et al.
5,353,747 A	10/1994	Fain
5,358,158 A	10/1994	Darr
5,363,680 A	11/1994	Wu
5,377,626 A	1/1995	Kilsby et al.
5,462,019 A	10/1995	Hong-Rong et al.

(Continued)

*Primary Examiner* — Catheri Oliver-Garcia  
(74) *Attorney, Agent, or Firm* — Skaar Ulbrich Macari, PA

(56) **References Cited**

U.S. PATENT DOCUMENTS

529,402 A	11/1894	McDougall	
721,460 A	2/1902	McDougall	
1,053,848 A	* 2/1913	Milcinsky	70/459
1,120,341 A	12/1914	Smith	
1,232,299 A	7/1917	Hance	
1,374,459 A	4/1921	Lichty	
1,465,281 A	8/1923	Morrison	
1,567,783 A	12/1925	Best	
1,826,465 A	10/1931	Gilman	
2,087,176 A	7/1937	Webb	
2,311,823 A	2/1943	Gaskill	
2,435,081 A	1/1948	Howard	
2,525,890 A	10/1950	Gage	
2,706,967 A	4/1955	Iannelli	
2,713,327 A	7/1955	West	

(57) **CLAIM**

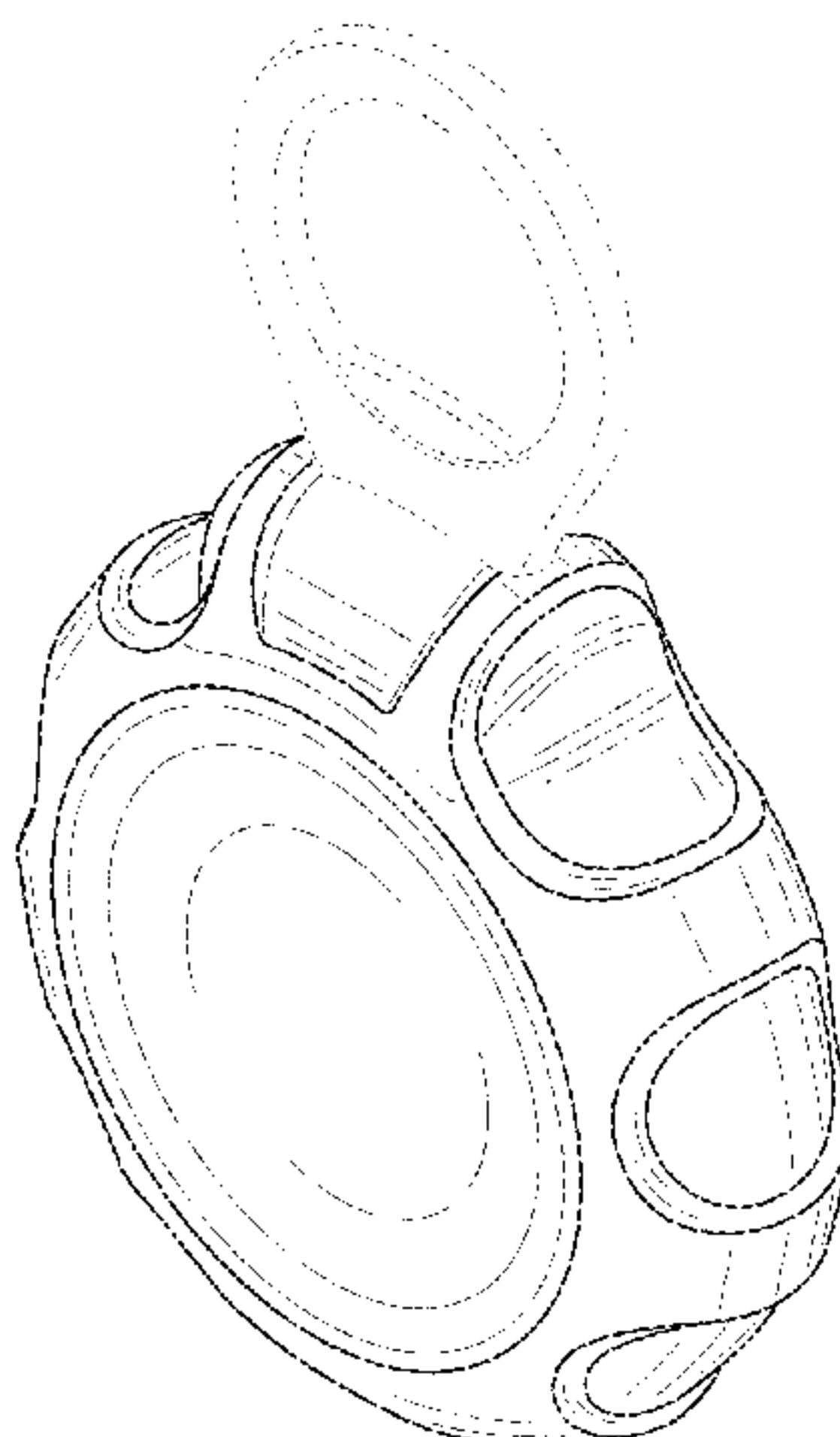
We claim the ornamental design for a retractable lanyard, as shown and described.

**DESCRIPTION**

FIG. 1 is a perspective of our retractable lanyard.  
 FIG. 2 is a front view thereof.  
 FIG. 3 is a rear view thereof.  
 FIG. 4 is a side view thereof.  
 FIG. 5 is a top view thereof; and,  
 FIG. 6 is a bottom view thereof.

The broken lines appearing in the figures are not intended to form part of the claimed design and are provided for illustrative purposes only.

**1 Claim, 4 Drawing Sheets**



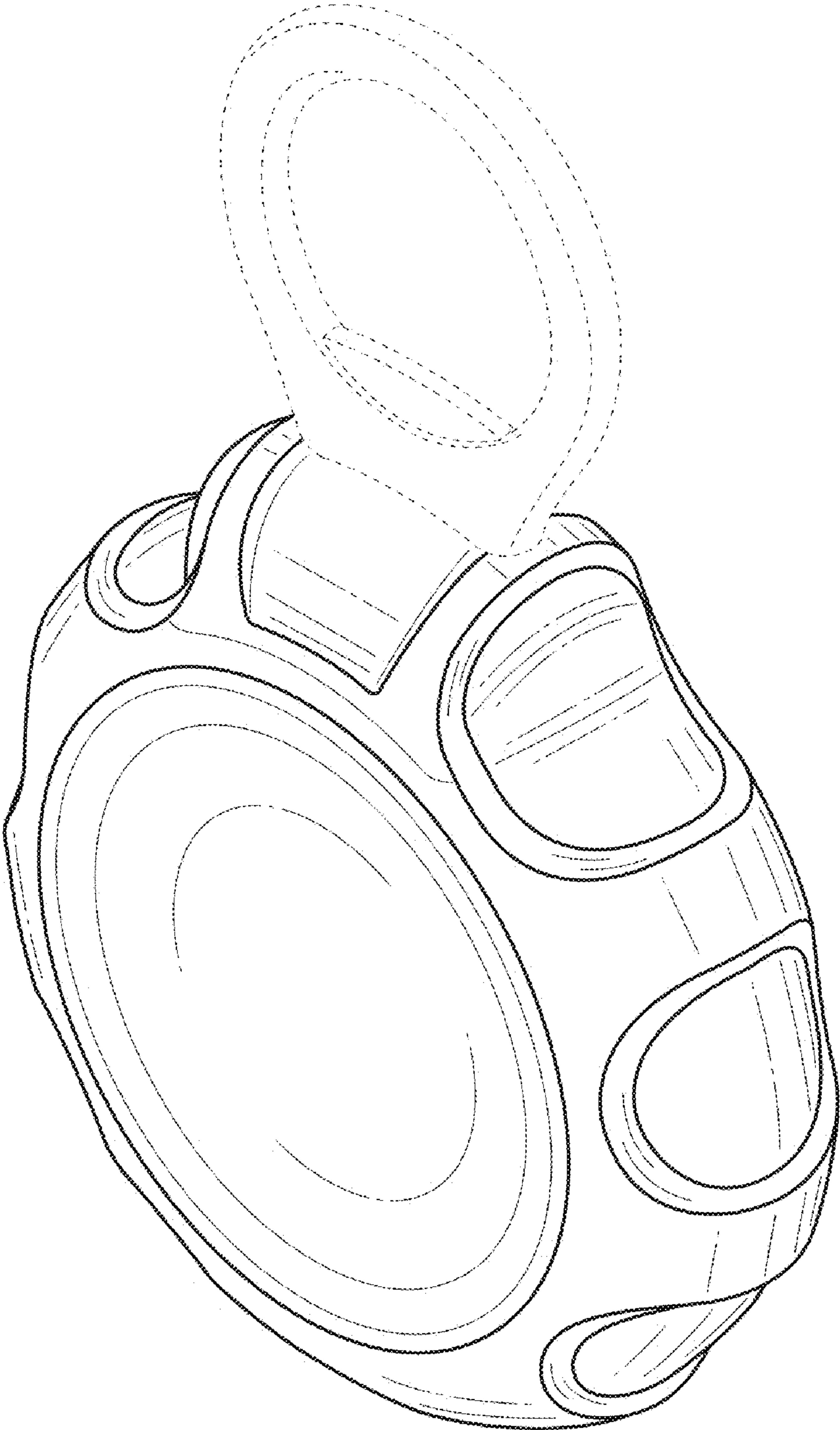
# US D675,012 S

Page 2

## U.S. PATENT DOCUMENTS

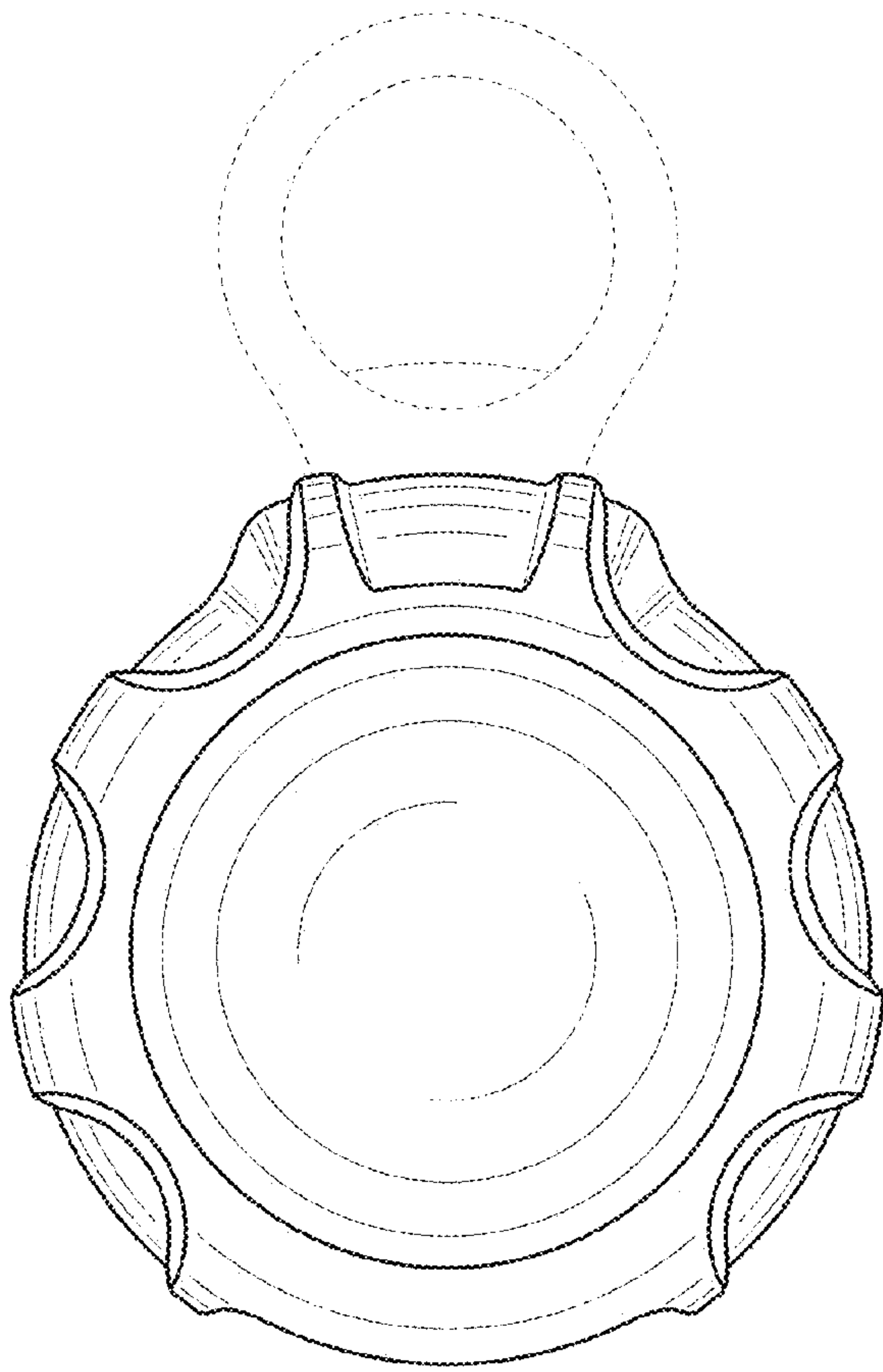
5,490,805	A	2/1996	Bredesen				
5,674,437	A	10/1997	Geisel				
5,732,662	A	3/1998	Jacobsen				
5,740,764	A	4/1998	Jacobsen				
5,833,165	A	11/1998	Paugh				
5,864,925	A	2/1999	McGee				
5,887,550	A	3/1999	Levine et al.				
5,938,137	A	8/1999	Poulson				
5,954,288	A	9/1999	Shih				
5,957,092	A	9/1999	Colsch				
5,983,836	A	11/1999	Chavez				
6,056,450	A	5/2000	Walling				
6,073,875	A	6/2000	Paugh				
6,082,656	A	7/2000	Thornton				
6,112,357	A	9/2000	Halloran				
6,148,773	A	11/2000	Bogdahn				
6,170,775	B1 *	1/2001	Kovacik et al.	.....	242/379.2		
6,192,835	B1	2/2001	Calhoun et al.				
6,213,421	B1	4/2001	Franklin				
6,243,921	B1	6/2001	Chang				
6,290,158	B1	9/2001	Huang				
6,314,916	B1	11/2001	Watson, Sr.				
6,364,237	B1	4/2002	Kagel				
6,371,056	B1	4/2002	Phillips				
6,401,656	B1	6/2002	Adkisson				
6,405,683	B1	6/2002	Walter et al.				
6,419,175	B1	7/2002	Rankin, VI				
6,434,797	B1 *	8/2002	Sagman	.....	24/3.13		
6,487,756	B1	12/2002	Vidal, Jr.				
6,502,727	B1	1/2003	Decoteau				
6,523,500	B1	2/2003	Zenteno				
6,526,918	B1	3/2003	Arnold				
6,578,683	B1	6/2003	Burke et al.				
6,584,724	B1	7/2003	Le Blanc				
6,612,263	B2	9/2003	Scheid et al.				
6,619,313	B2	9/2003	Boughton et al.				
6,731,956	B2	5/2004	Hanna et al.				
6,935,277	B2	8/2005	Vaccari				
6,966,519	B2	11/2005	Salentine et al.				
D514,311	S *	2/2006	Cetera	.....	D3/215		
7,007,882	B2	3/2006	Raia et al.				
D521,231	S *	5/2006	Ng	.....	D3/208		
7,040,257	B2	5/2006	Waxman et al.				
7,354,304	B2	4/2008	Livingston				
7,380,357	B2	6/2008	Jones et al.				
D608,541	S *	1/2010	Myers	.....	D3/215		
7,762,215	B2	7/2010	Horton				
D642,376	S *	8/2011	Pennington	.....	D3/215		
D648,522	S *	11/2011	Gorman	.....	D3/215		
D649,346	S *	11/2011	Davidson	.....	D3/215		

\* cited by examiner

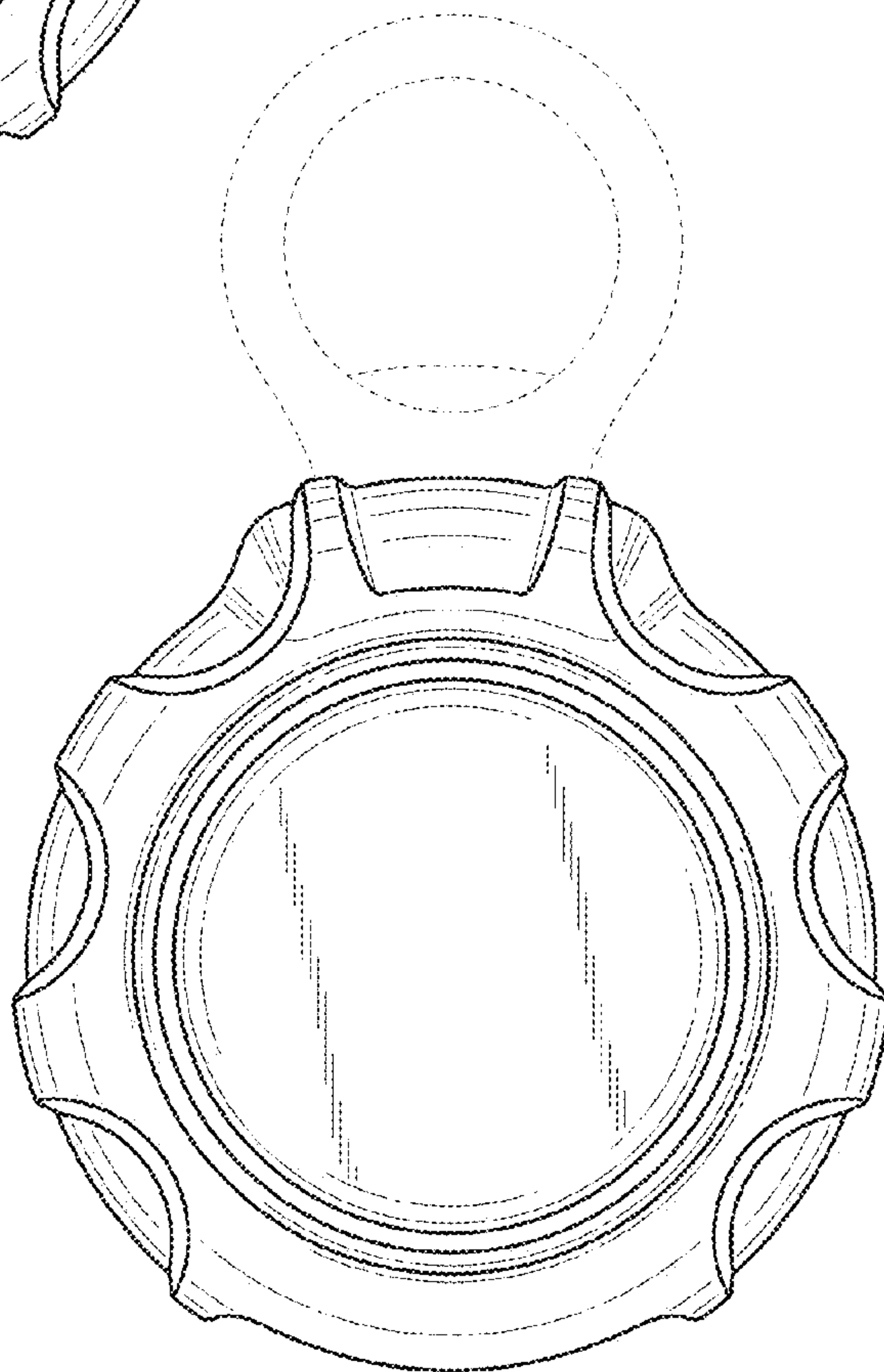


**Fig. 1**

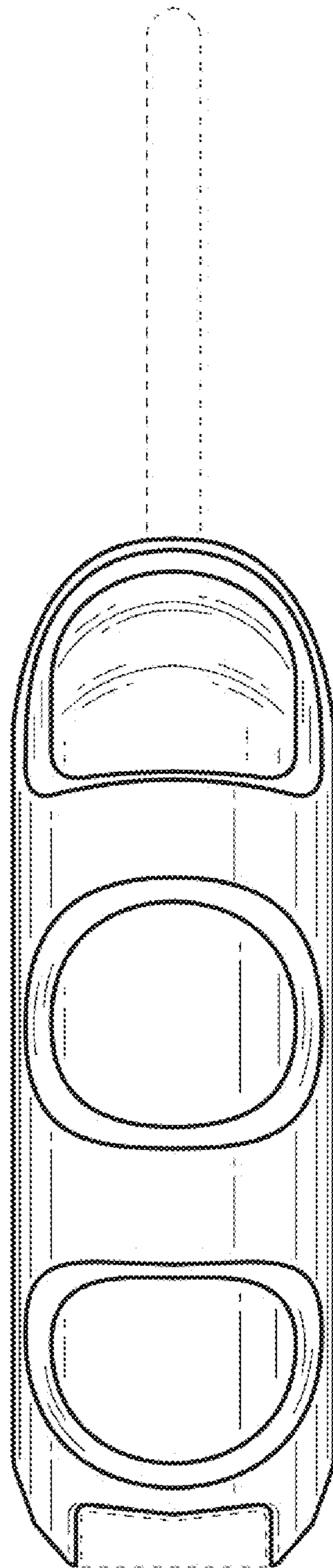




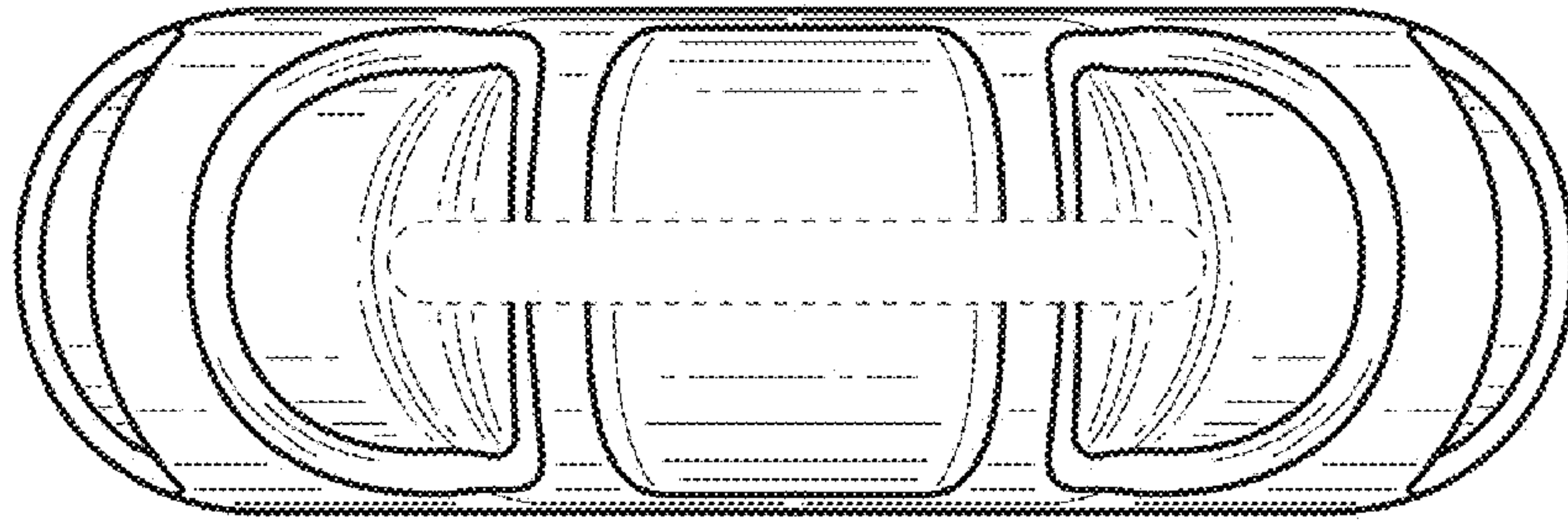
**Fig. 2**



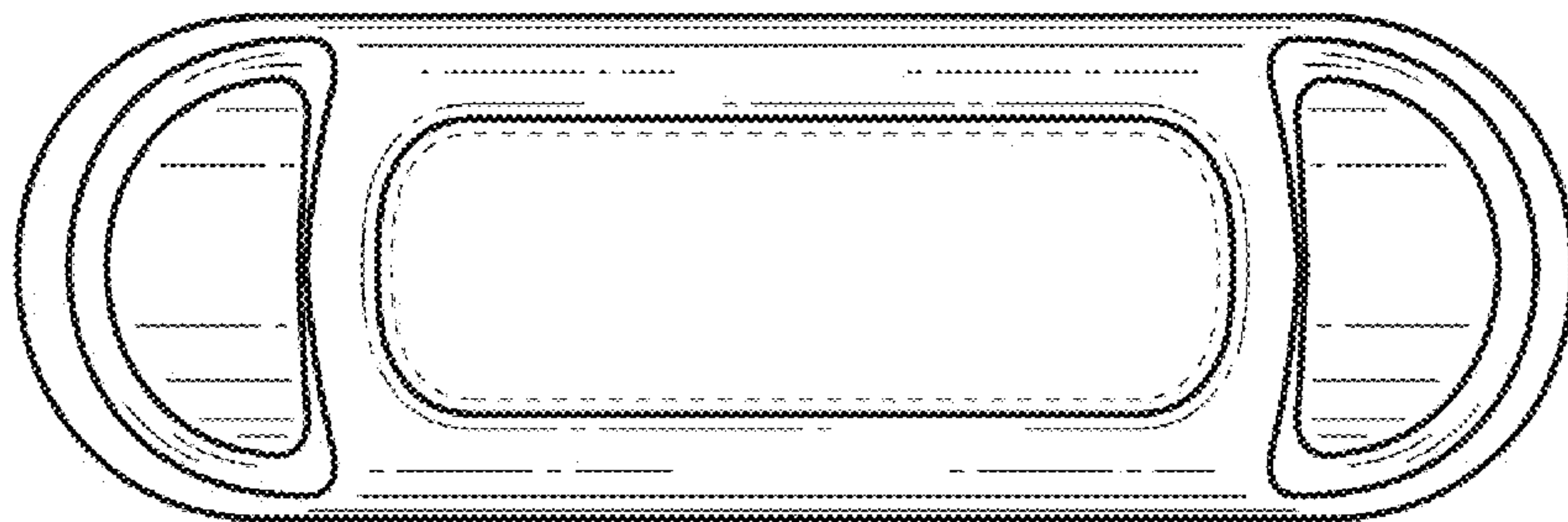
**Fig. 3**



**Fig. 4**



**Fig. 5**



**Fig. 6**