



US00D675010S

(12) **United States Design Patent**
Votel et al.

(10) **Patent No.:** **US D675,010 S**
(45) **Date of Patent:** **** Jan. 29, 2013**

- (54) **DUAL RETRACTABLE LANYARD**
- (75) Inventors: **Thomas Votel**, Sunfish Lake, MN (US);
Justin Kostner, Minneapolis, MN (US);
Jeffrey A. Popowski, Roseville, MN (US)
- (73) Assignee: **Tenaciuos Holdings, Inc.**, St. Paul, MN (US)
- (**) Term: **14 Years**
- (21) Appl. No.: **29/408,430**
- (22) Filed: **Dec. 13, 2011**
- (51) **LOC (9) Cl.** **03-01**
- (52) **U.S. Cl.** **D3/215**
- (58) **Field of Classification Search** D3/215,
D3/207-212; D8/18, 38; D11/7; 40/1.5,
40/1.6, 661.04, 661.05; 24/3.6, 3.11, 3.13;
70/456 R, 459; 242/376, 378.3, 379, 379.2;
119/796

- 3,233,591 A 2/1966 Rogers et al.
- 3,547,371 A 12/1970 Gruseck
- 3,672,597 A 6/1972 Williamson
- 3,693,596 A 9/1972 Croce et al.
- 3,968,670 A 7/1976 Quenot
- 4,146,191 A 3/1979 Cavanaugh
- 4,269,150 A 5/1981 McCarthy
- 4,286,387 A 9/1981 Di Diego
- 4,501,230 A 2/1985 Talo
- 4,580,347 A 4/1986 McKnight
- 4,620,506 A 11/1986 Stubbs
- 4,662,078 A 5/1987 Gammon et al.
- 4,800,843 A 1/1989 Wendling
- 5,022,351 A 6/1991 Daniels
- 5,031,577 A 7/1991 Flugger
- 5,044,323 A 9/1991 Papak
- 5,079,851 A 1/1992 Sill
- 5,230,117 A 7/1993 Johnson et al.
- 5,353,747 A 10/1994 Fain
- 5,358,158 A 10/1994 Darr
- 5,363,680 A 11/1994 Wu
- 5,377,626 A 1/1995 Kilsby et al.
- 5,462,019 A 10/1995 Hong-Rong et al.
- 5,490,805 A 2/1996 Bredesen
- 5,674,437 A 10/1997 Geisel

(Continued)

See application file for complete search history.

(56) **References Cited**

U.S. PATENT DOCUMENTS

- 529,402 A 11/1894 McDougall
- 721,460 A 2/1902 McDougall
- 1,053,848 A * 2/1913 Milcinsky 70/459
- 1,120,341 A 12/1914 Smith
- 1,232,299 A 7/1917 Hance
- 1,374,459 A 4/1921 Lichty
- 1,465,281 A 8/1923 Morrison
- 1,567,783 A 12/1925 Best
- 1,826,465 A 10/1931 Gilman
- 2,087,176 A 7/1937 Webb
- 2,311,823 A 2/1943 Gaskill
- 2,435,081 A 1/1948 Howard
- 2,525,890 A 10/1950 Gage
- 2,706,967 A 4/1955 Iannelli
- 2,713,327 A 7/1955 West
- 2,732,148 A 1/1956 Lummis
- 2,987,043 A 6/1961 Spindler
- 3,054,573 A 9/1962 Spencer
- 3,062,478 A 11/1962 Adachi et al.
- 3,100,608 A 8/1963 Goldfarb

Primary Examiner — Catheri Oliver-Garcia

(74) *Attorney, Agent, or Firm* — Skaar Ulbrich Macari, PA

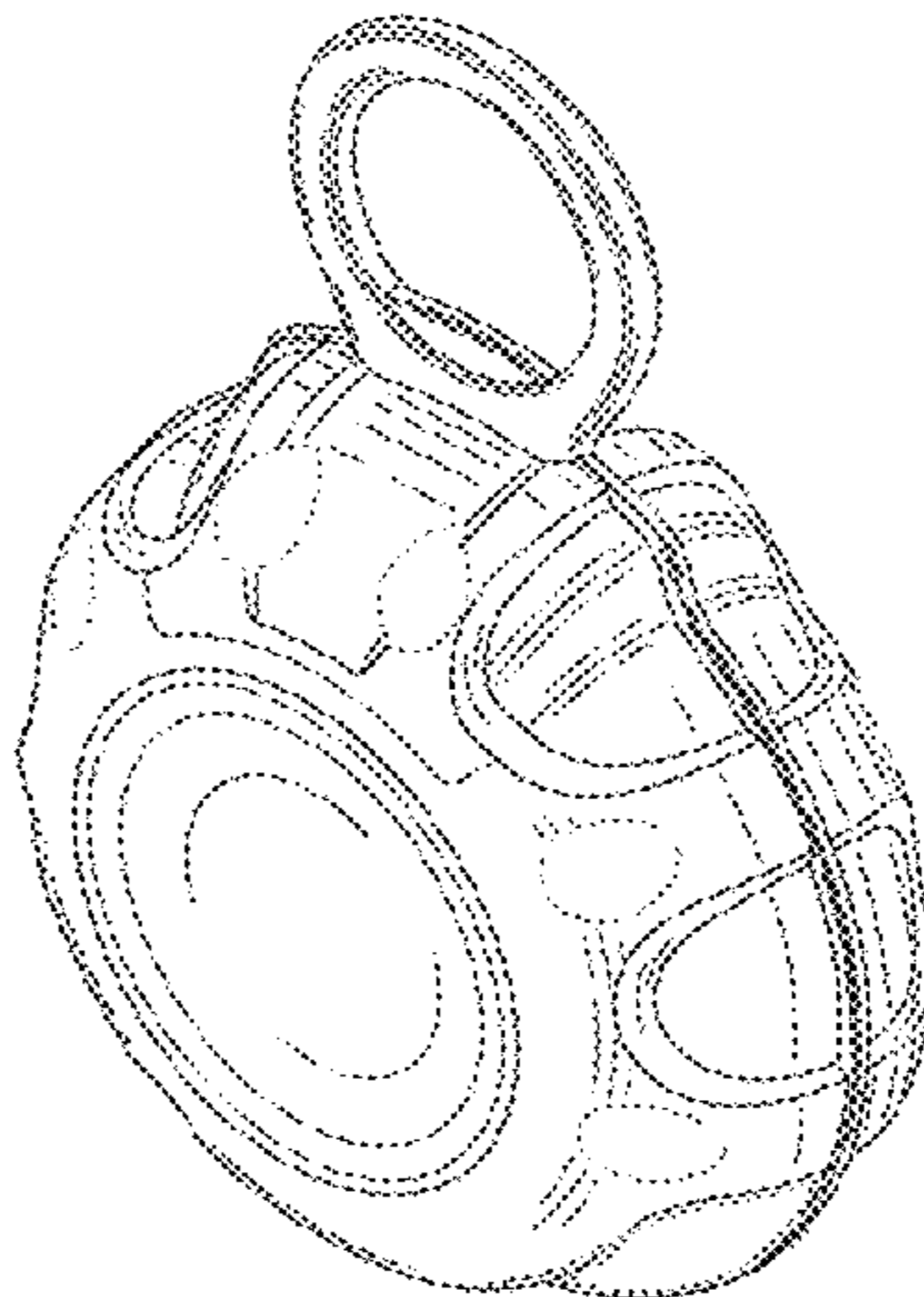
(57) **CLAIM**

We claim the ornamental design for a dual retractable lanyard, as shown and described.

DESCRIPTION

FIG. 1 is a perspective view of our dual retractable lanyard.
 FIG. 2 is a front view thereof.
 FIG. 3 is a rear view thereof.
 FIG. 4 is a side view thereof.
 FIG. 5 is a side view thereof.
 FIG. 6 is a top view thereof; and,
 FIG. 7 is a bottom view thereof.
 The broken lines appearing in the figures are not intended to form part of the claimed design and are provided for illustrative purposes only.

1 Claim, 4 Drawing Sheets



US D675,010 S

Page 2

U.S. PATENT DOCUMENTS

5,732,662	A	3/1998	Jacobsen				
5,740,764	A	4/1998	Jacobsen				
5,833,165	A	11/1998	Paugh				
5,864,925	A	2/1999	McGee				
5,887,550	A	3/1999	Levine et al.				
5,938,137	A	8/1999	Poulson				
5,954,288	A	9/1999	Shih				
5,957,092	A	9/1999	Colsch				
5,983,836	A	11/1999	Chavez				
6,056,450	A	5/2000	Walling				
6,073,875	A	6/2000	Paugh				
6,082,656	A	7/2000	Thornton				
6,112,357	A	9/2000	Halloran				
6,148,773	A	11/2000	Bogdahn				
6,170,775	B1 *	1/2001	Kovacik et al.	242/379.2		
6,192,835	B1	2/2001	Calhoun et al.				
6,213,421	B1	4/2001	Franklin				
6,243,921	B1	6/2001	Chang				
6,290,158	B1	9/2001	Huang				
6,314,916	B1	11/2001	Watson, Sr.				
6,364,237	B1	4/2002	Kagel				
6,371,056	B1	4/2002	Phillips				
6,401,656	B1	6/2002	Adkisson				
6,405,683	B1	6/2002	Walter et al.				
6,419,175	B1	7/2002	Rankin, VI				
6,434,797	B1 *	8/2002	Sagman	24/3.13		
6,487,756	B1	12/2002	Vidal, Jr.				
6,502,727	B1	1/2003	Decoteau				
6,523,500	B1	2/2003	Zenteno				
6,526,918	B1	3/2003	Arnold				
6,578,683	B1	6/2003	Burke et al.				
6,584,724	B1	7/2003	Le Blanc				
6,612,263	B2	9/2003	Scheid et al.				
6,619,313	B2	9/2003	Boughton et al.				
6,731,956	B2	5/2004	Hanna et al.				
6,935,277	B2	8/2005	Vaccari				
6,966,519	B2	11/2005	Salentine et al.				
D514,311	S *	2/2006	Cetera	D3/215		
7,007,882	B2	3/2006	Raia et al.				
D521,231	S *	5/2006	Ng	D3/208		
7,040,257	B2	5/2006	Waxman et al.				
7,354,304	B2	4/2008	Livingston				
7,380,357	B2	6/2008	Jones et al.				
D608,541	S *	1/2010	Myers	D3/215		
7,762,215	B2	7/2010	Horton				
D642,376	S *	8/2011	Pennington	D3/215		
D648,522	S *	11/2011	Gorman	D3/215		
D649,346	S *	11/2011	Davidson	D3/215		

* cited by examiner

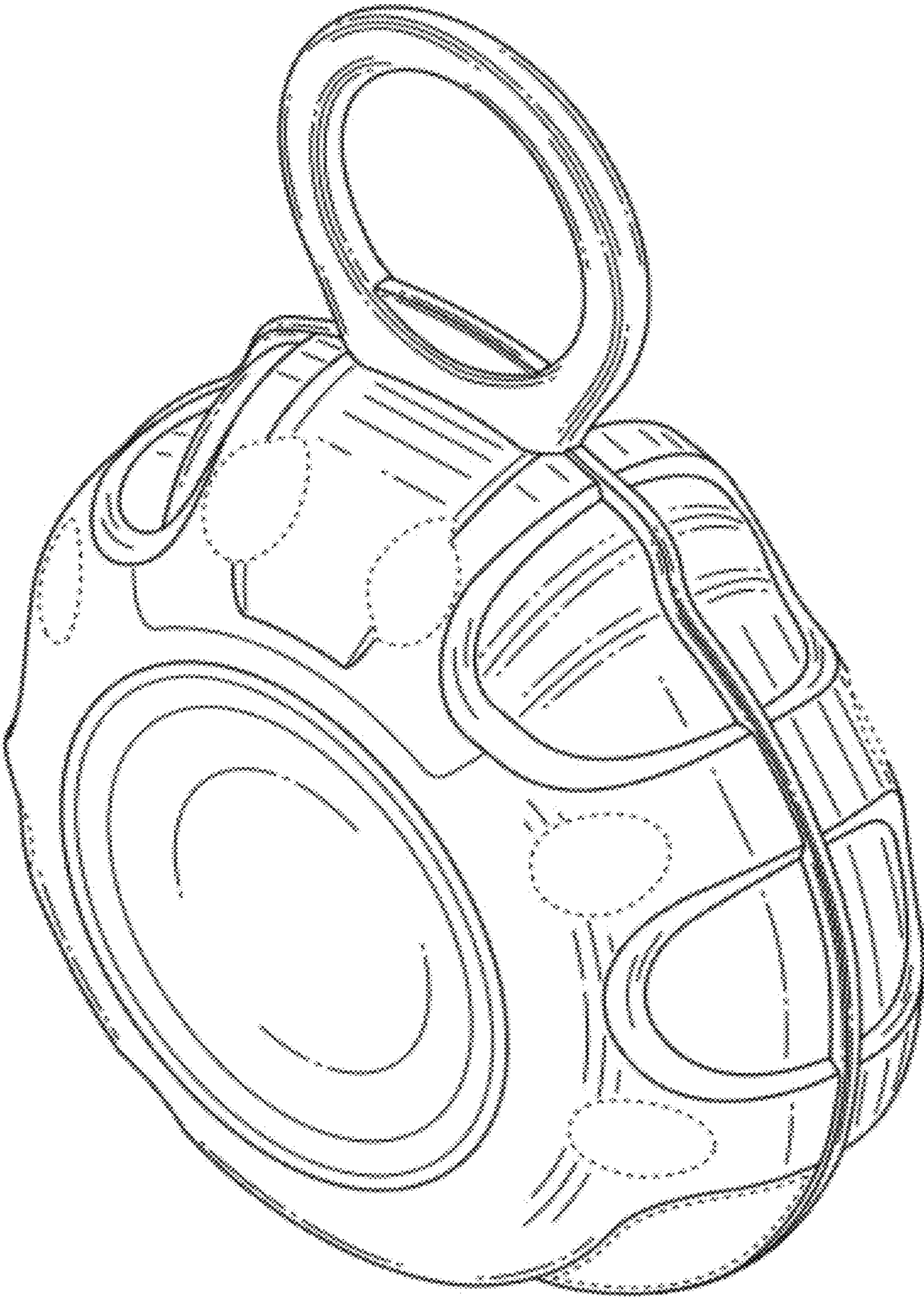


Fig. 1

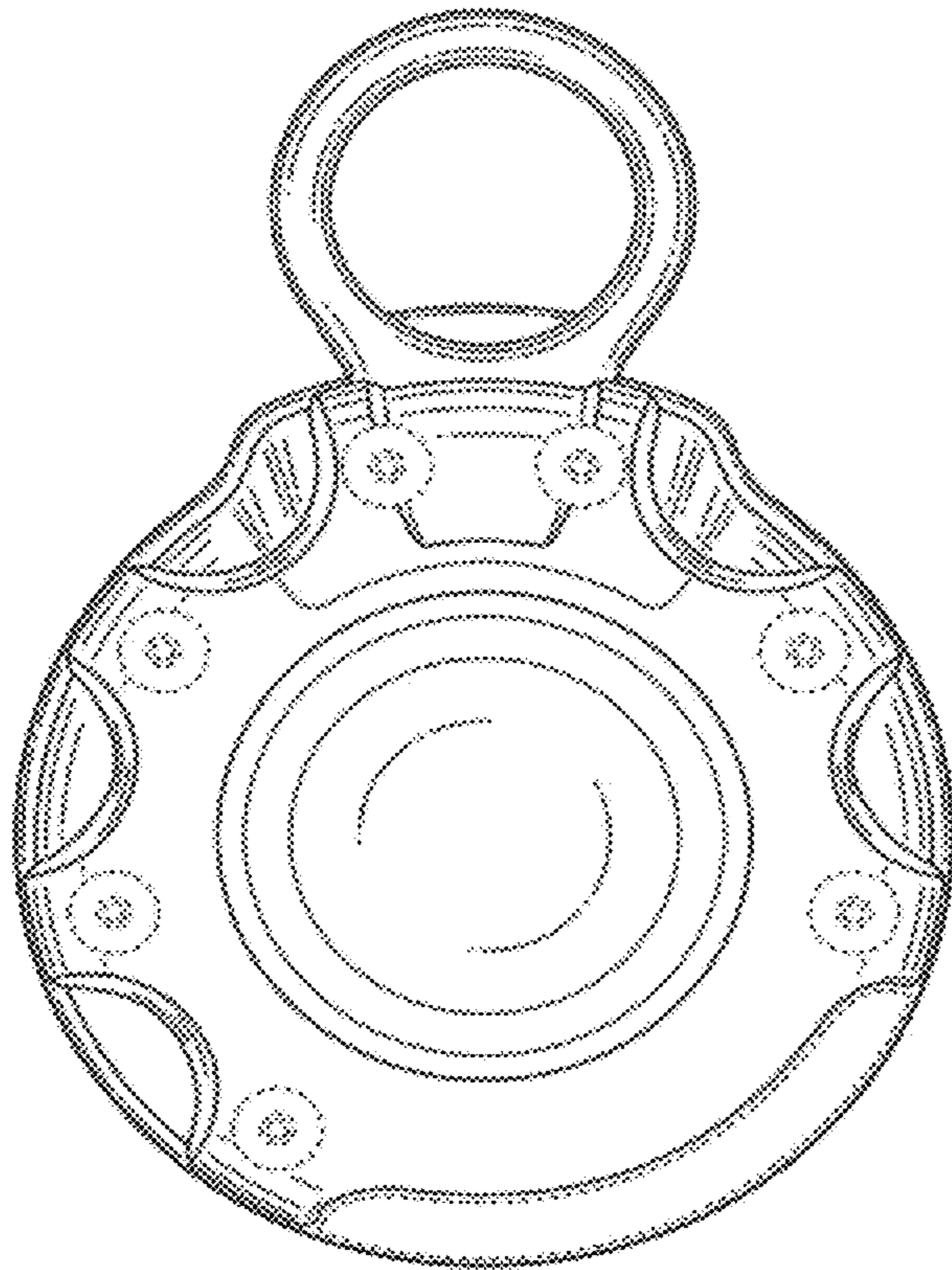


Fig. 2

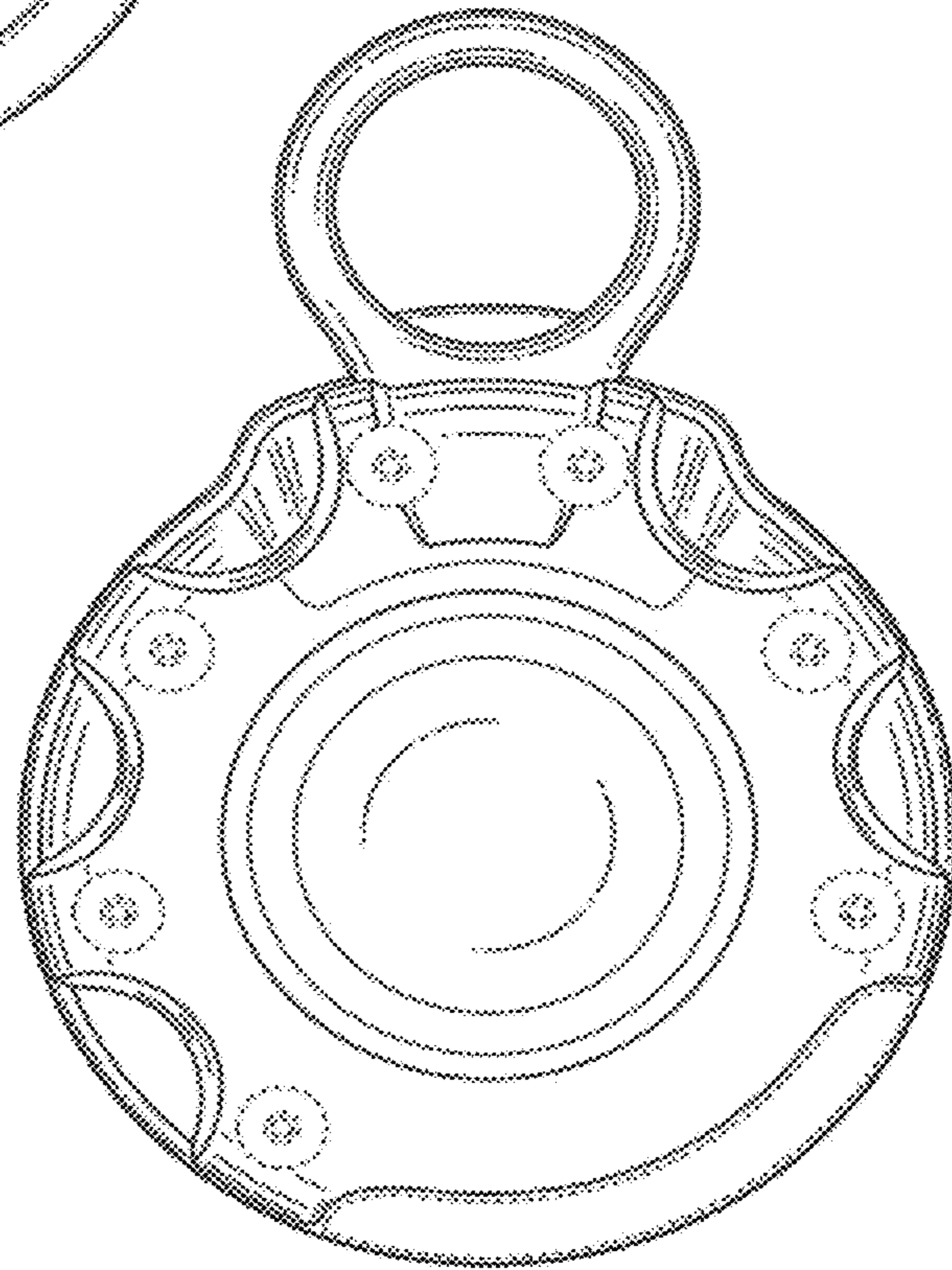


Fig. 3

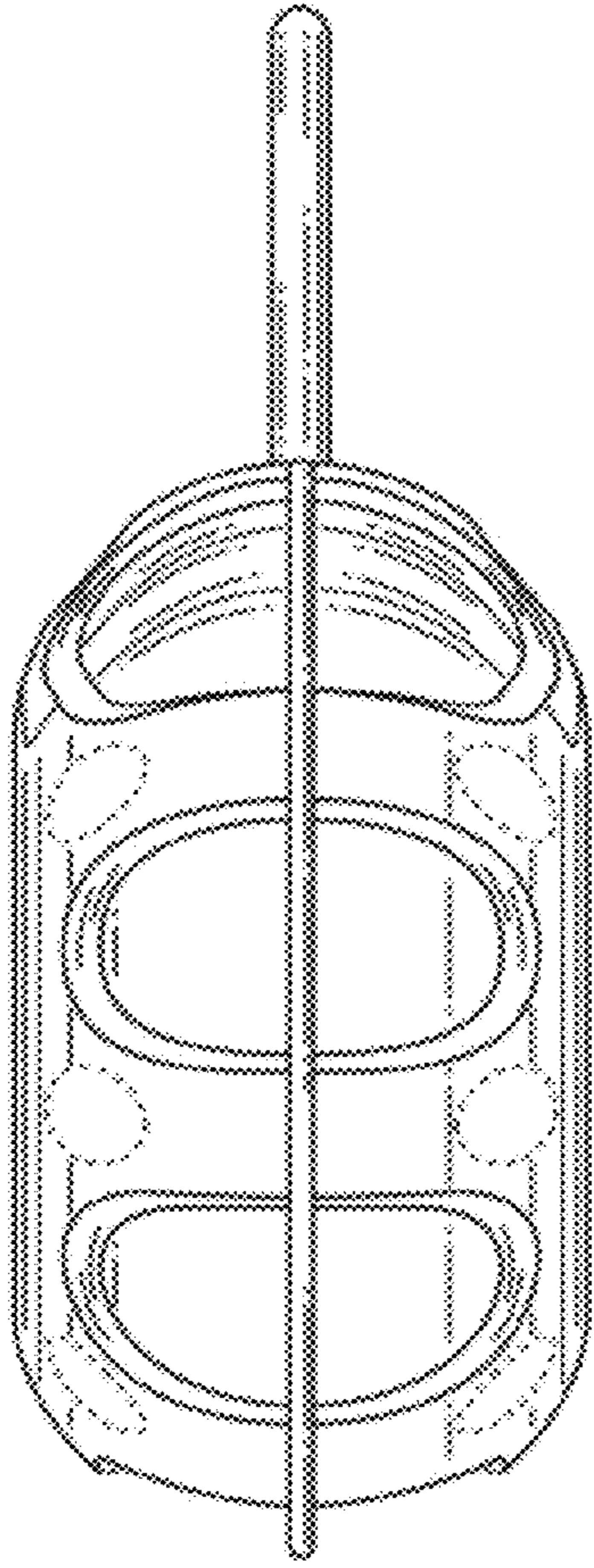


Fig. 4

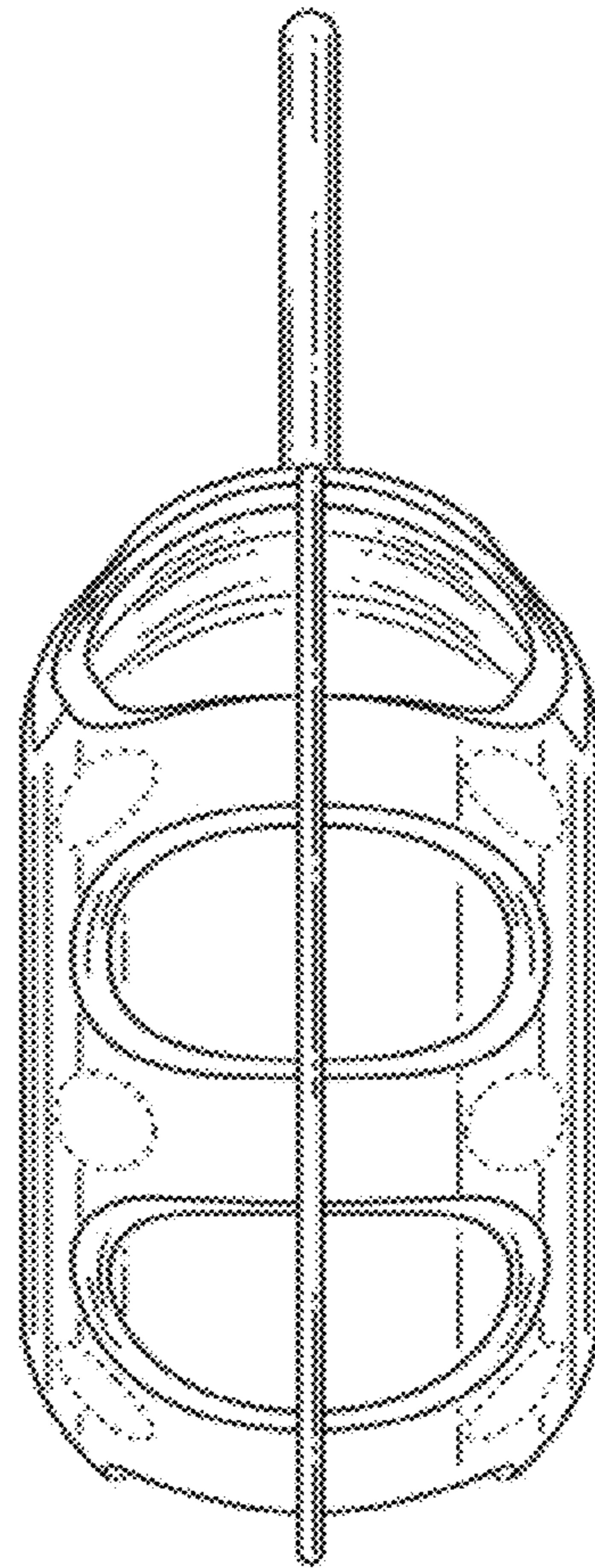


Fig. 5

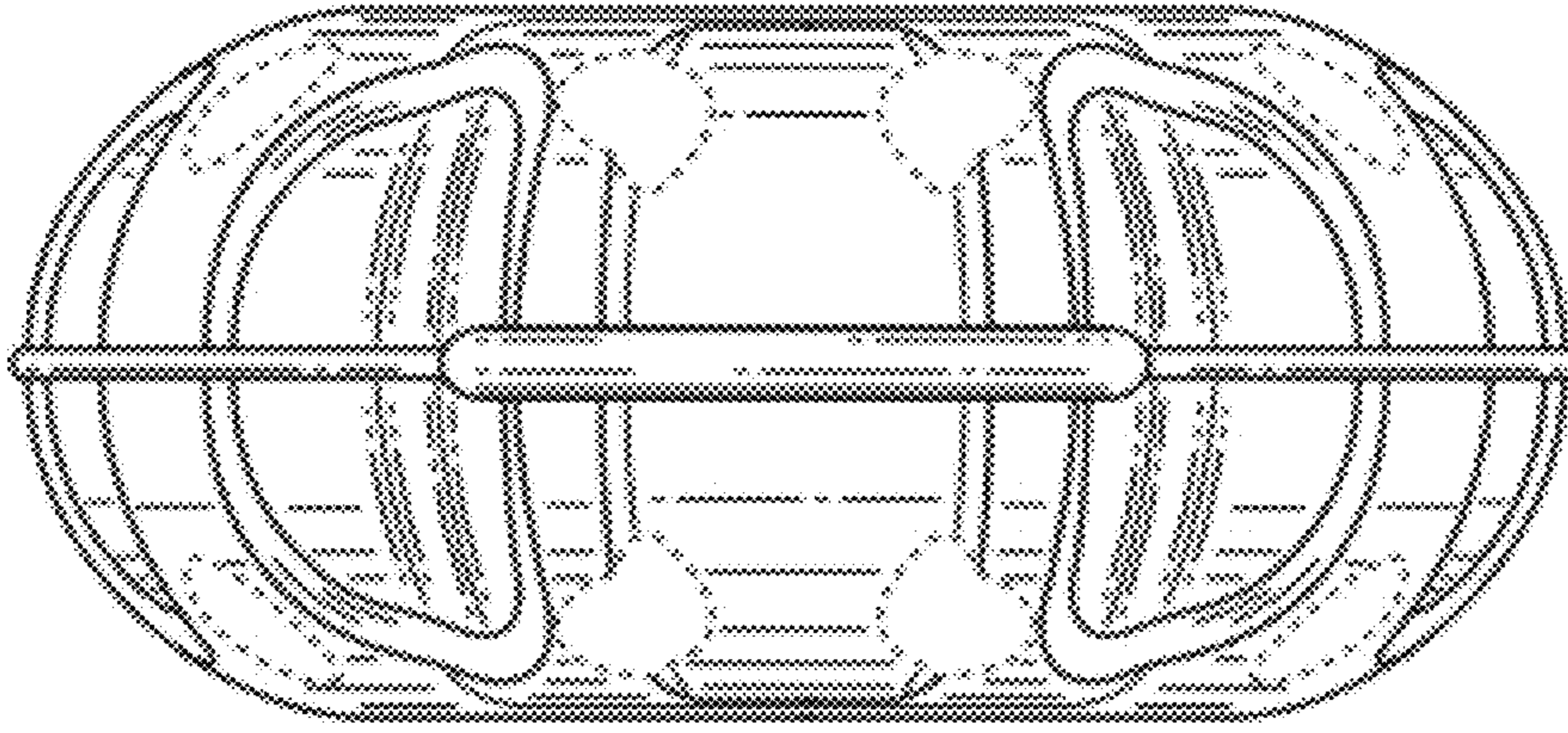


Fig. 6

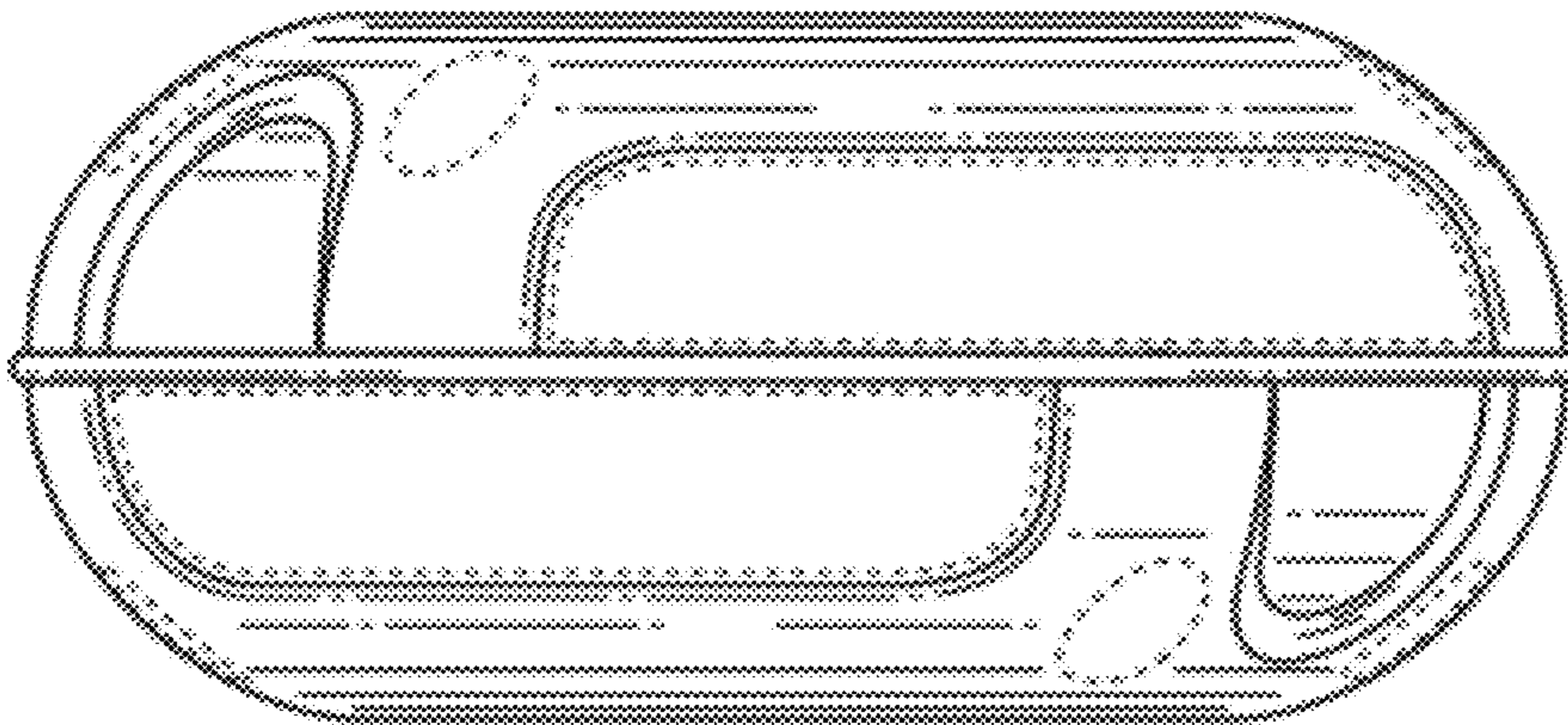


Fig. 7