



US00D674990S

(12) **United States Design Patent**
Johnson

(10) **Patent No.:** **US D674,990 S**
(45) **Date of Patent:** **** Jan. 29, 2013**

(54) **TROUSERS WITH A BI-DIRECTIONAL ZIPPER**

(76) Inventor: **Brenda L. Johnson**, Danbury, WI (US)

(**) Term: **14 Years**

(21) Appl. No.: **29/414,550**

(22) Filed: **Feb. 29, 2012**

Related U.S. Application Data

(63) Continuation-in-part of application No. 12/317,960, filed on Dec. 31, 2008, now abandoned.

(51) **LOC (9) Cl.** **02-02**

(52) **U.S. Cl.** **D2/742**

(58) **Field of Classification Search** D2/700,
D2/712, 731, 738, 742; 2/79, 227, 228, 234-239
See application file for complete search history.

(56) **References Cited**

U.S. PATENT DOCUMENTS

6,941,584	B1 *	9/2005	Matthews	2/234
D613,039	S *	4/2010	Viola et al.	D2/742
D628,517	S *	12/2010	Bitzan	D11/221
7,926,122	B1 *	4/2011	Countryman	2/227
D640,041	S *	6/2011	Flora et al.	D2/742
8,091,146	B1 *	1/2012	Anhalt et al.	2/227
2006/0174399	A1 *	8/2006	Nikolayev et al.	2/227

* cited by examiner

Primary Examiner — Rashida Johnson

(74) *Attorney, Agent, or Firm* — Montgomery Patent & Design LLC; Robert C. Montgomery

(57) **CLAIM**

The ornamental design for trousers with a bi-directional zipper, as shown and described.

DESCRIPTION

FIG. 1 is a front perspective view of trousers with a bi-directional zipper, showing my new design;
 FIG. 2 is a front view thereof;
 FIG. 3 is a rear view thereof;
 FIG. 4 is a left side view thereof;
 FIG. 5 is a right side view thereof;
 FIG. 6 is a top view thereof;
 FIG. 7 is a bottom view thereof;
 FIG. 8 is a front perspective view of the trousers with a bi-directional zipper depicted with front and rear zipper cover flaps turned outward and a bi-directional zipper in an unzipped state;
 FIG. 9 is a front view thereof;
 FIG. 10 is a rear view thereof;
 FIG. 11 is a left side view thereof;
 FIG. 12 is a right side view thereof;
 FIG. 13 is a top view thereof; and,
 FIG. 14 is a bottom view thereof.
 The cross hatch shade lines shown in FIGS. 8 through 11, 13, and 14 represent hook-and-loop fasteners.

1 Claim, 12 Drawing Sheets

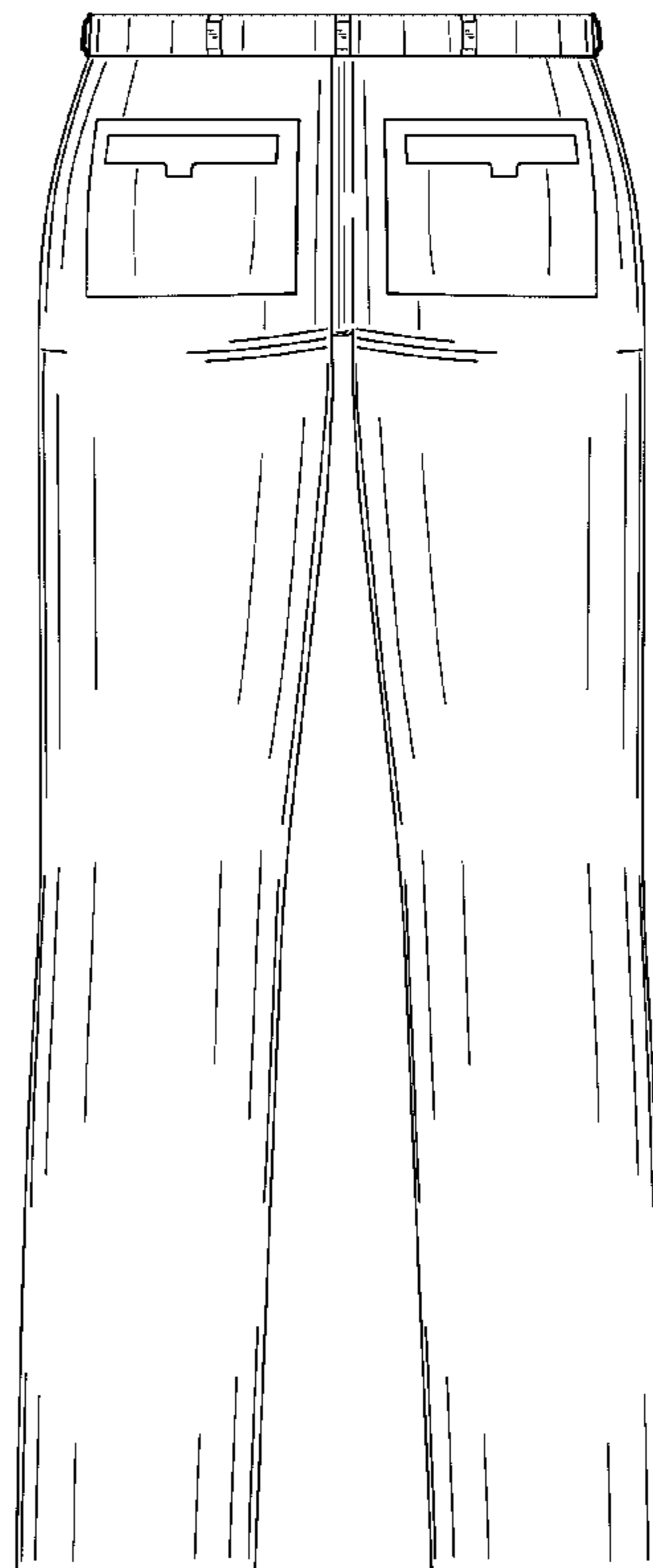
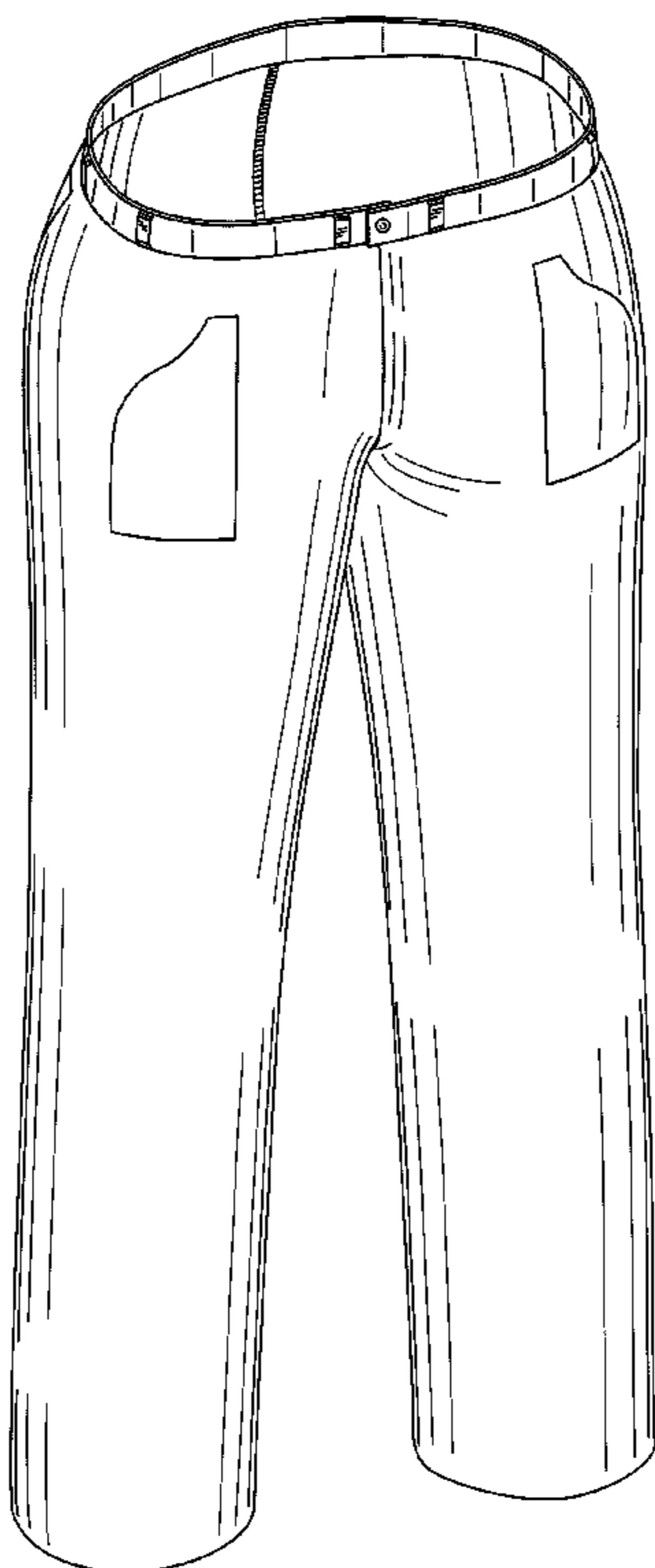




Fig. 1

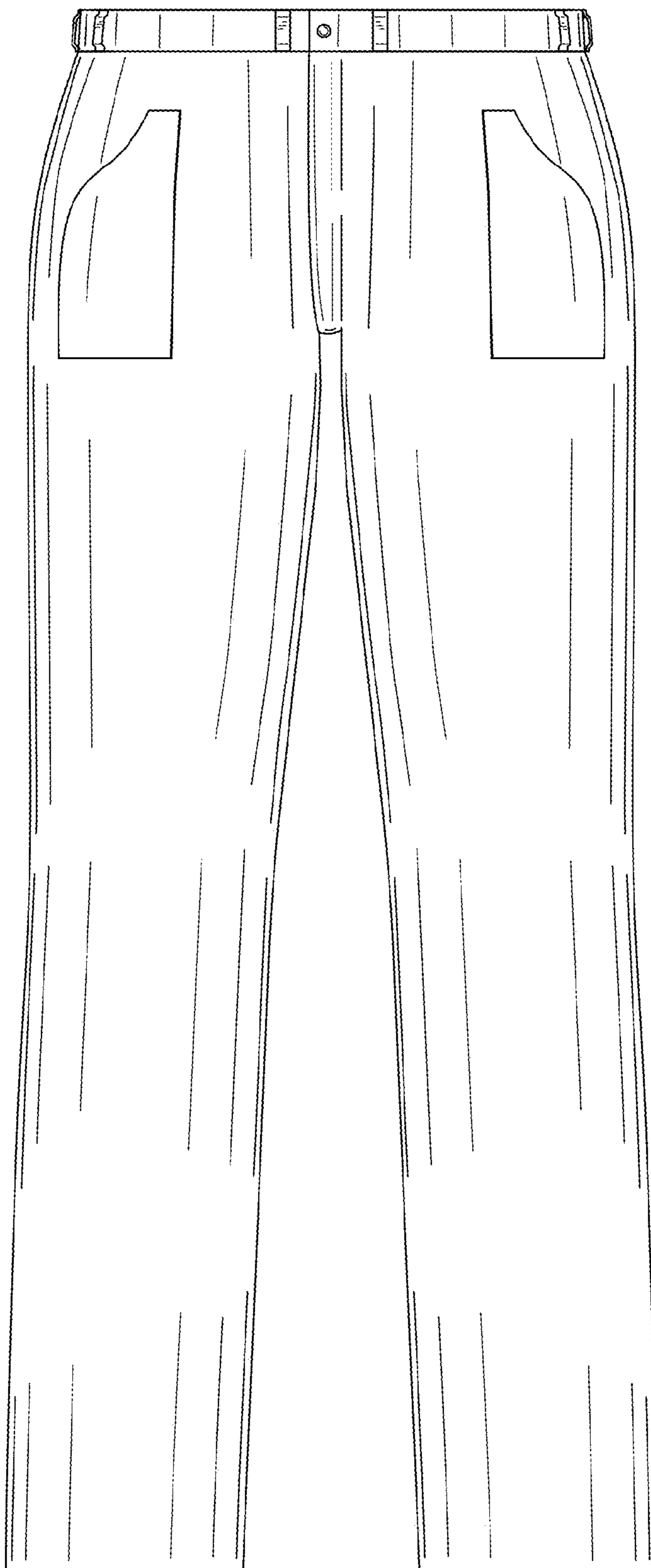


Fig. 2

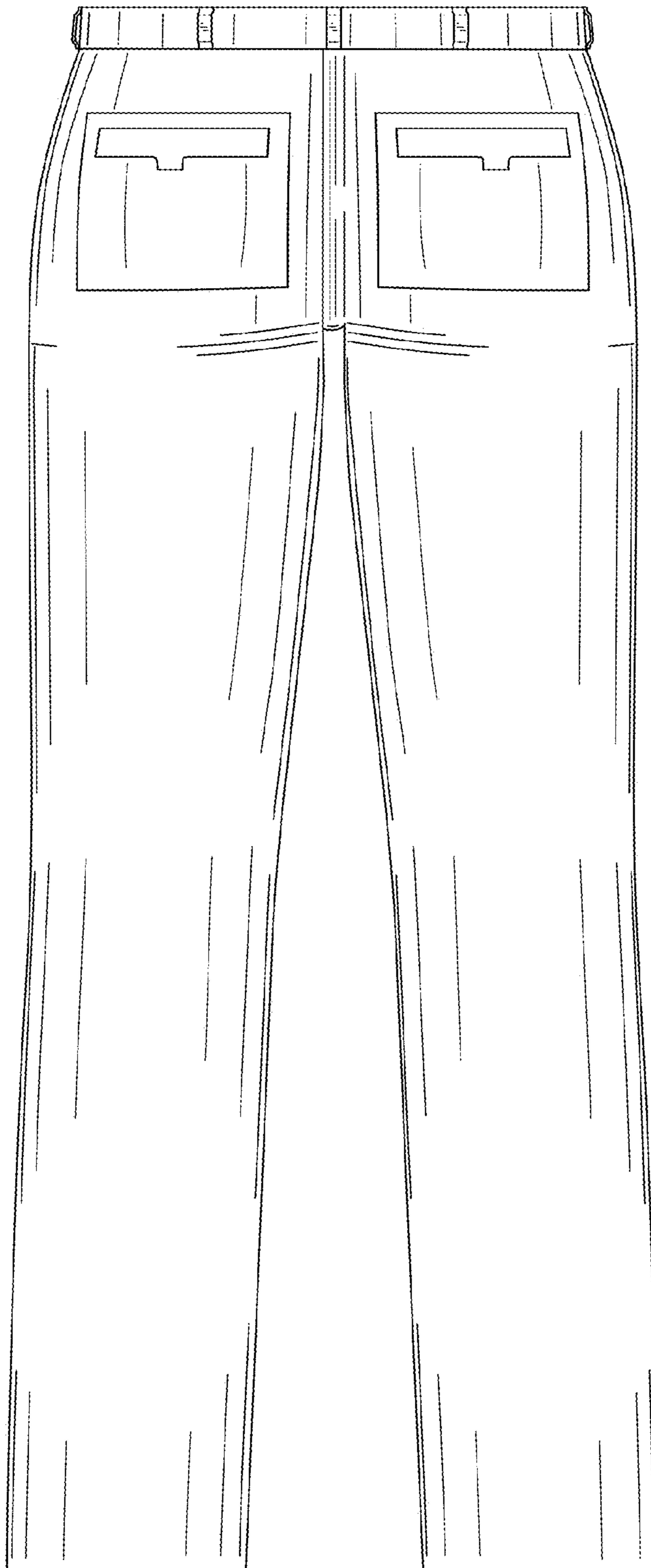


Fig. 3

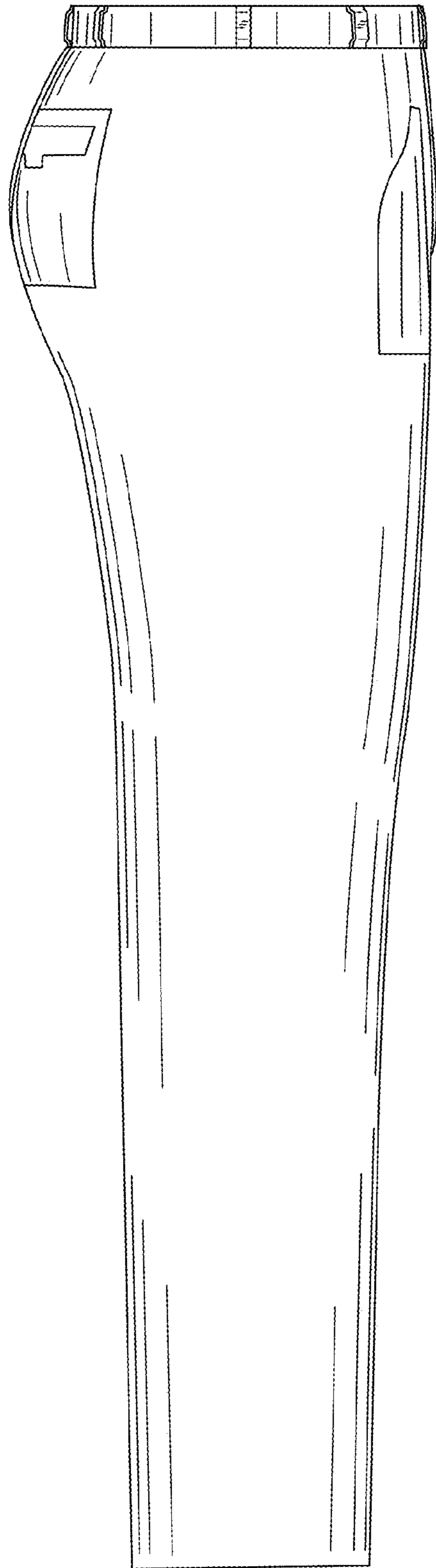


Fig. 4

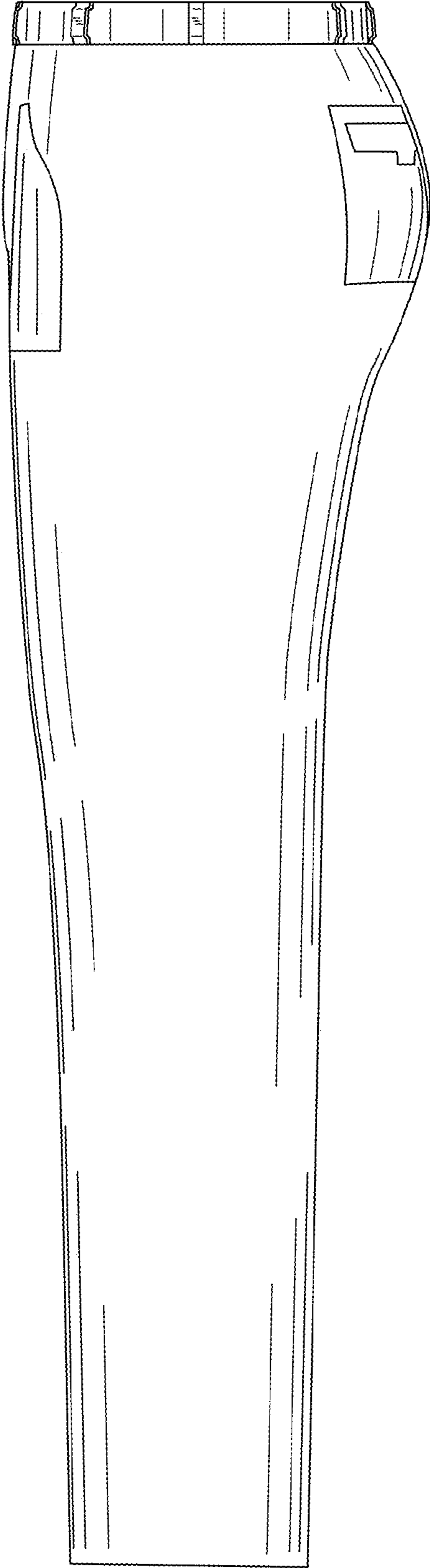


Fig. 5

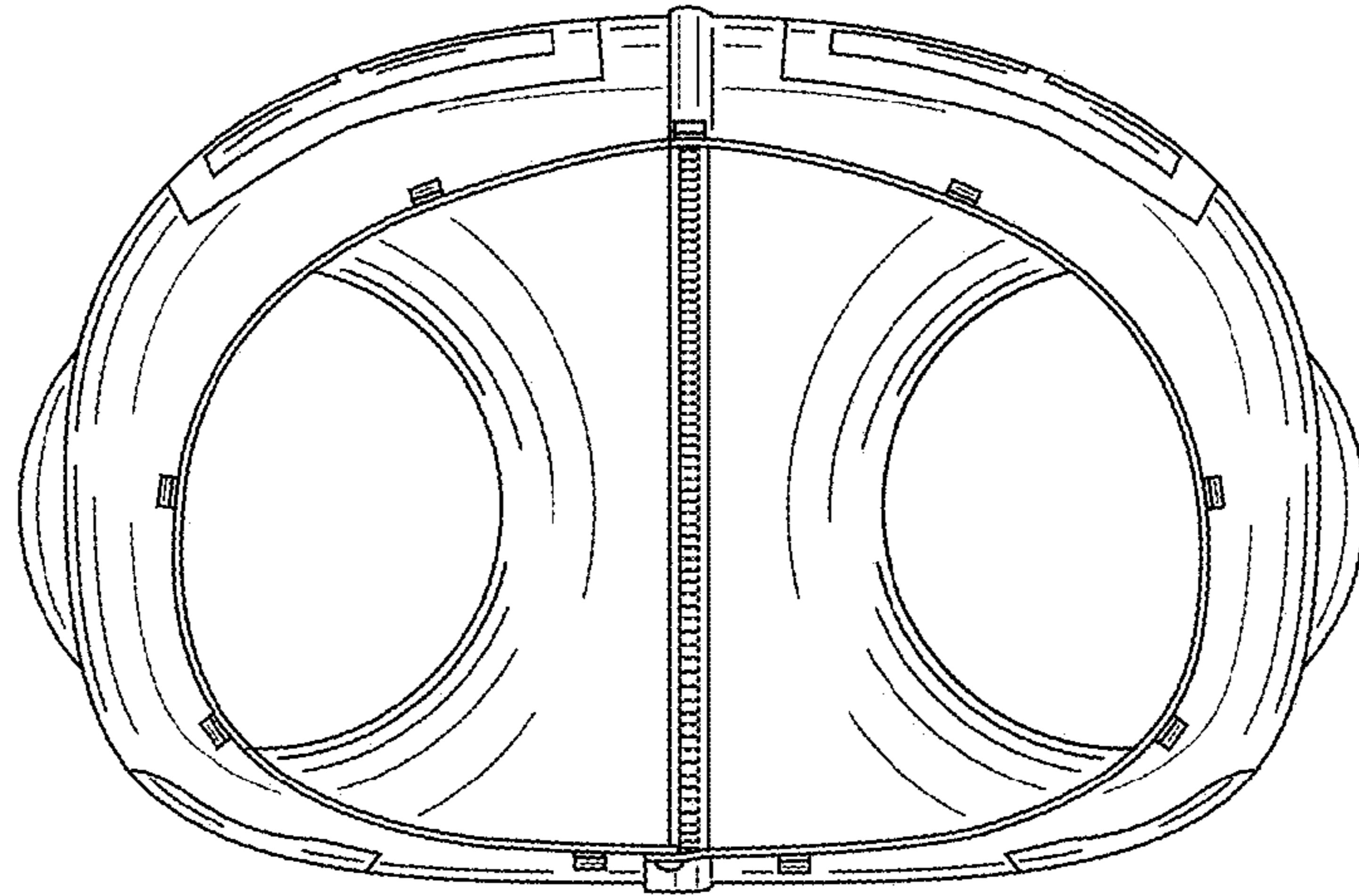


Fig. 6

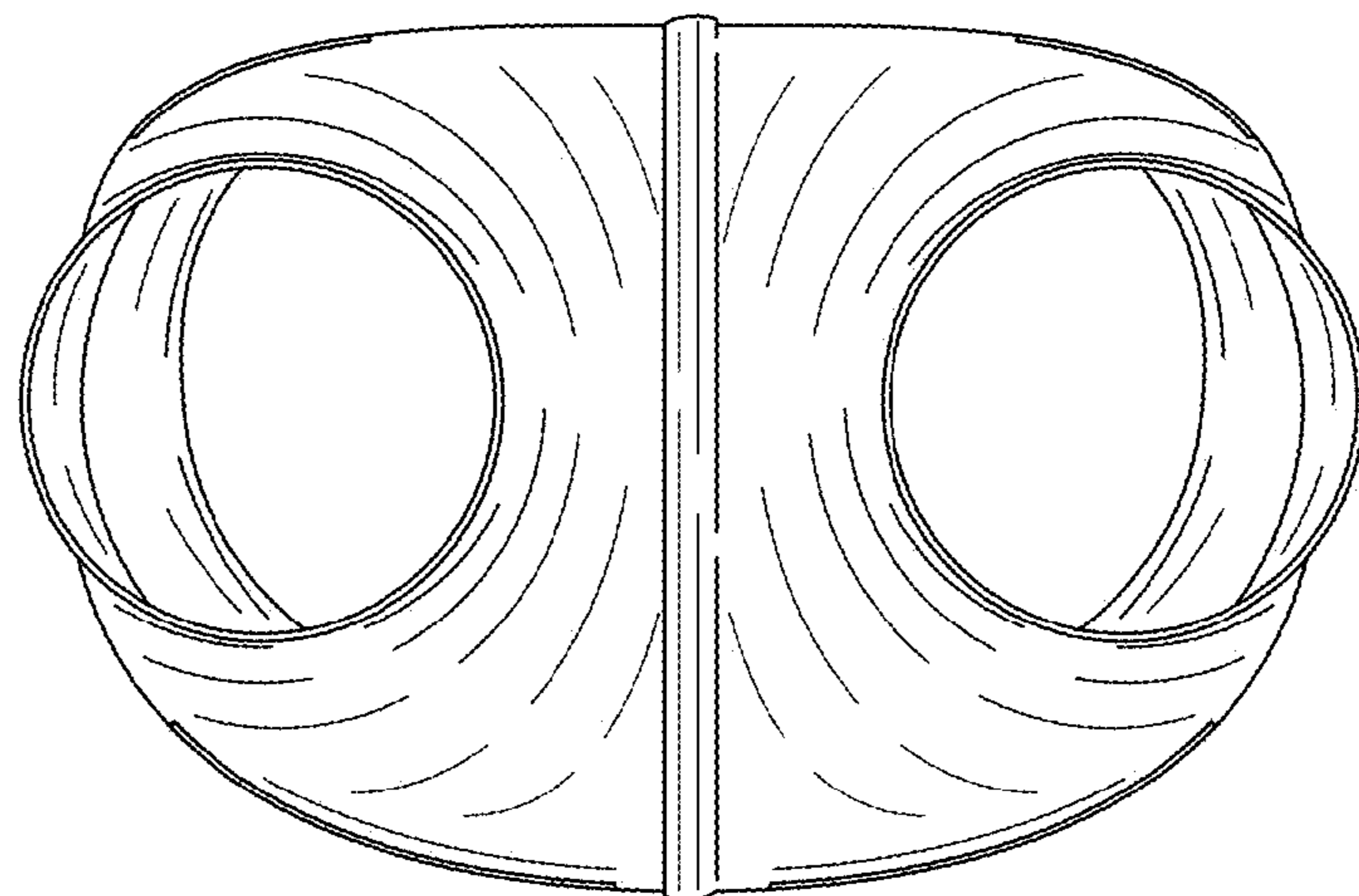


Fig. 7



Fig. 8

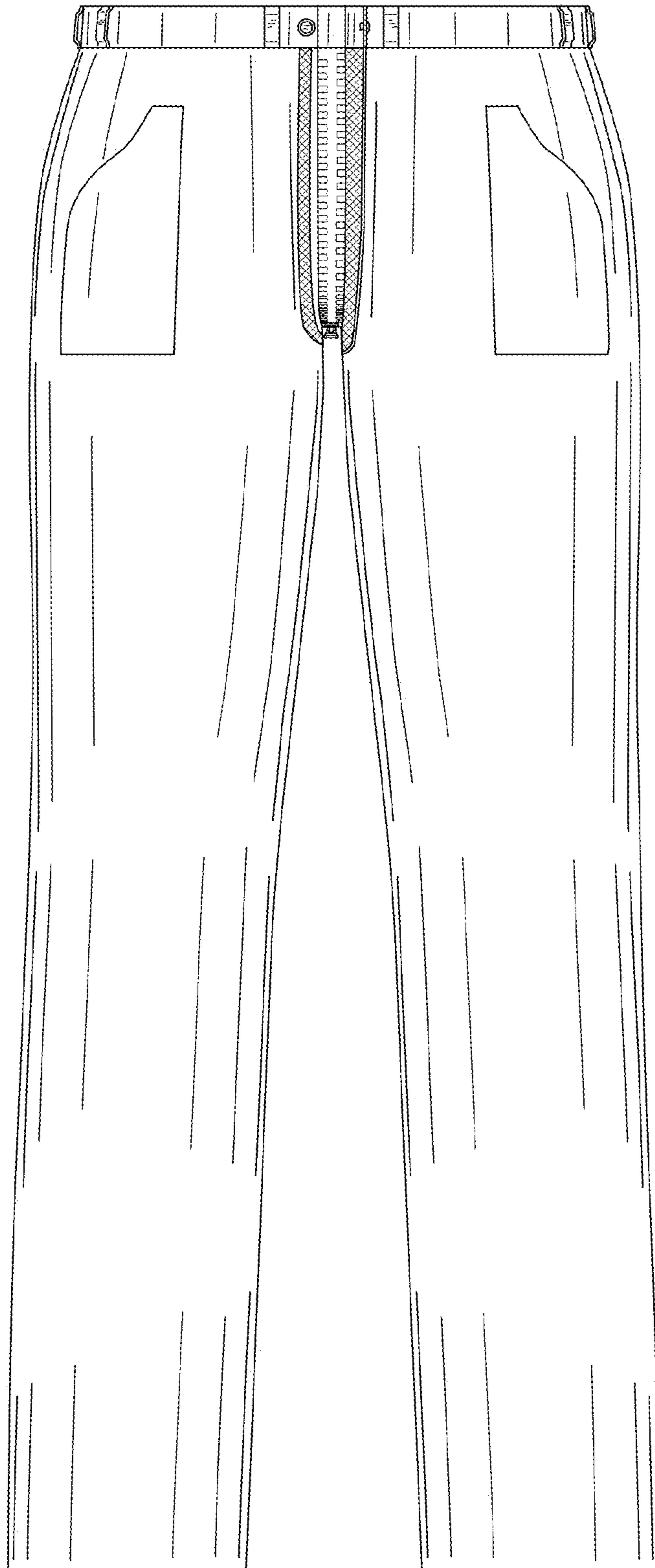


Fig. 9

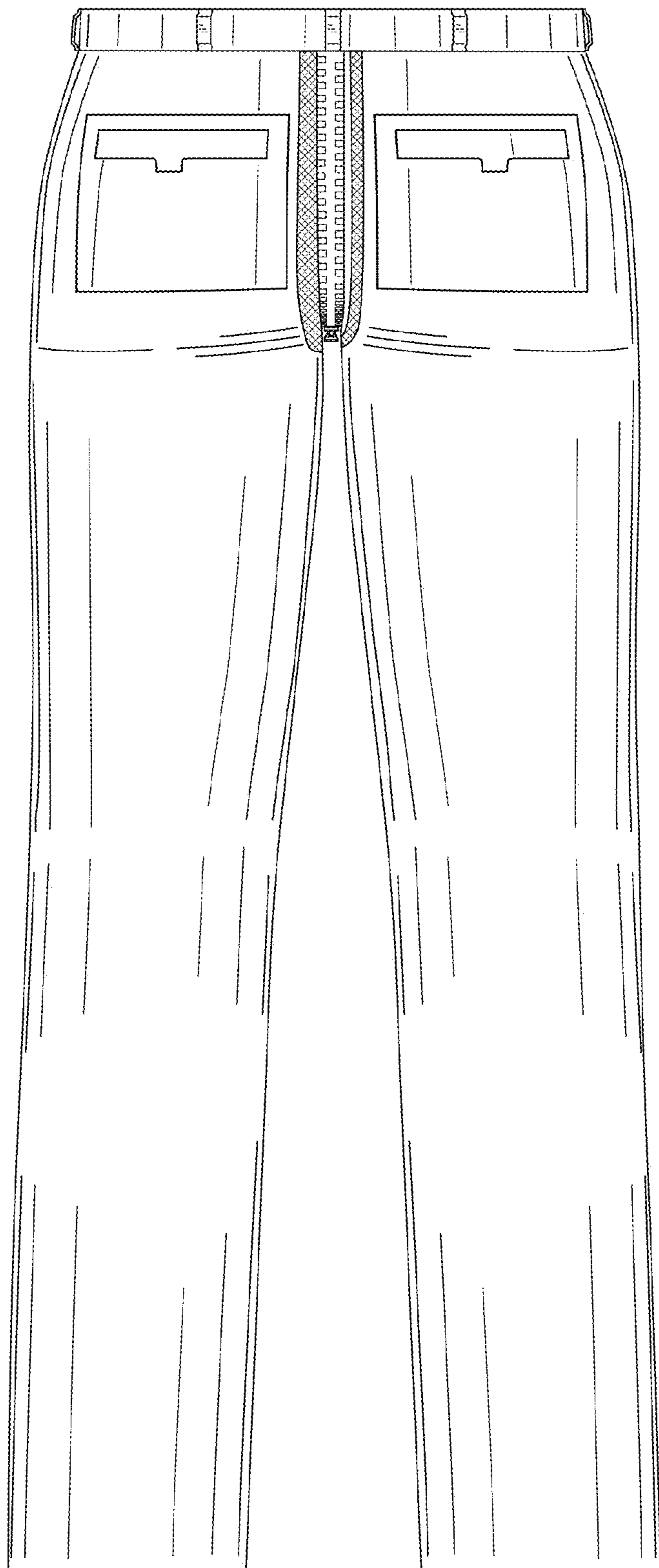


Fig. 10

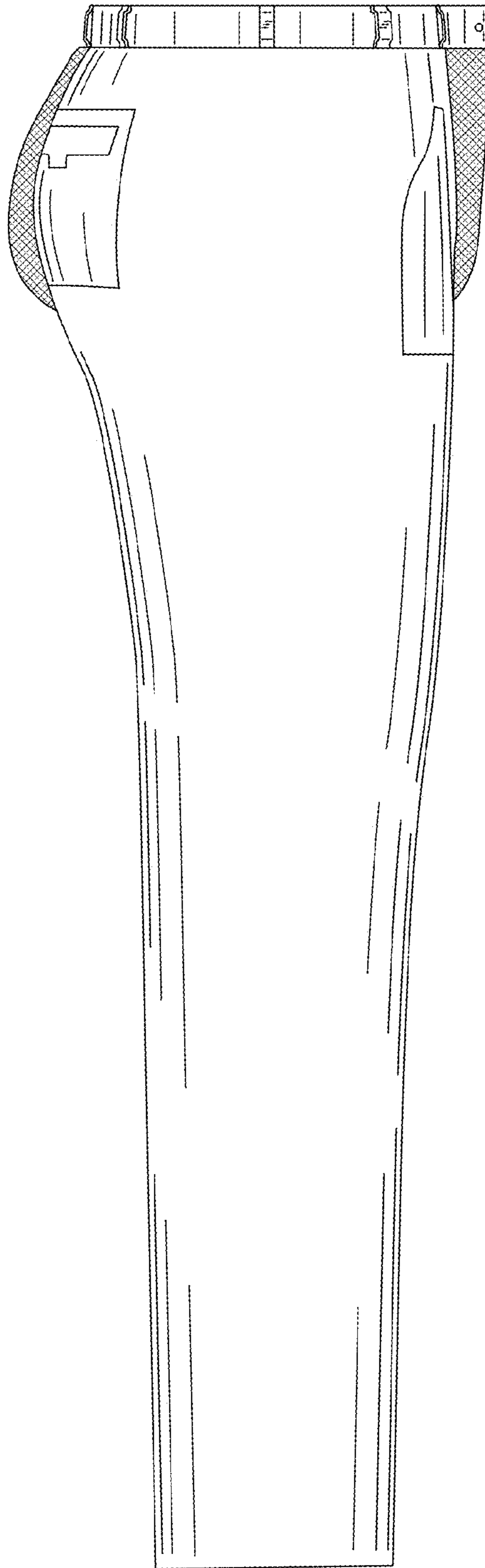


Fig. 11

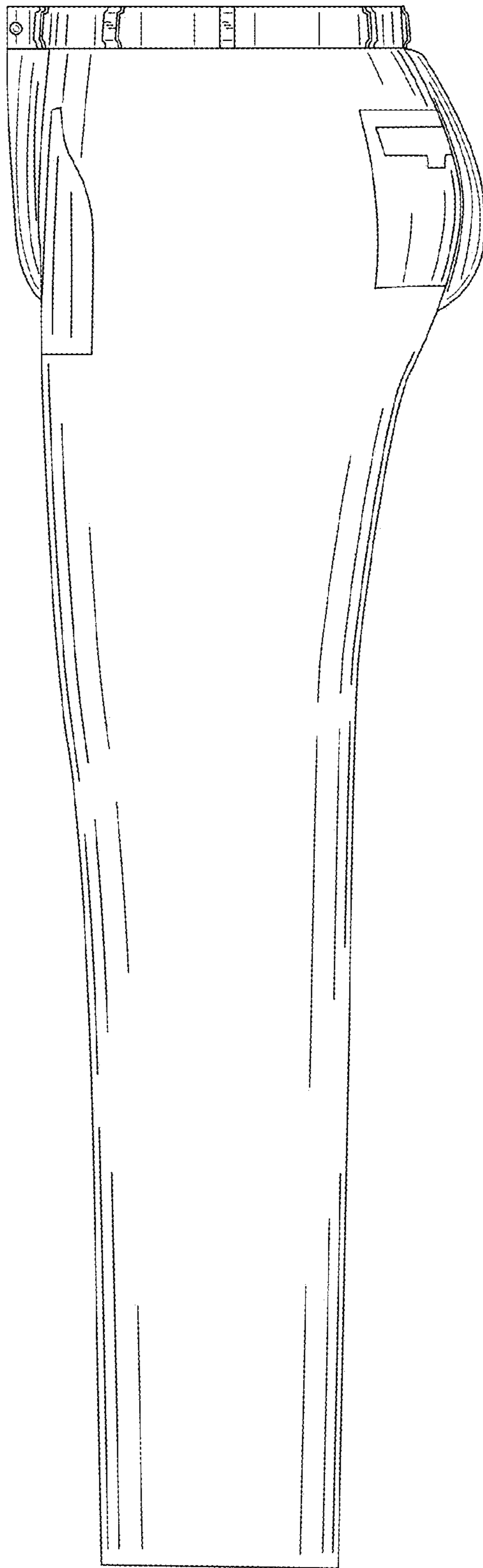


Fig. 12

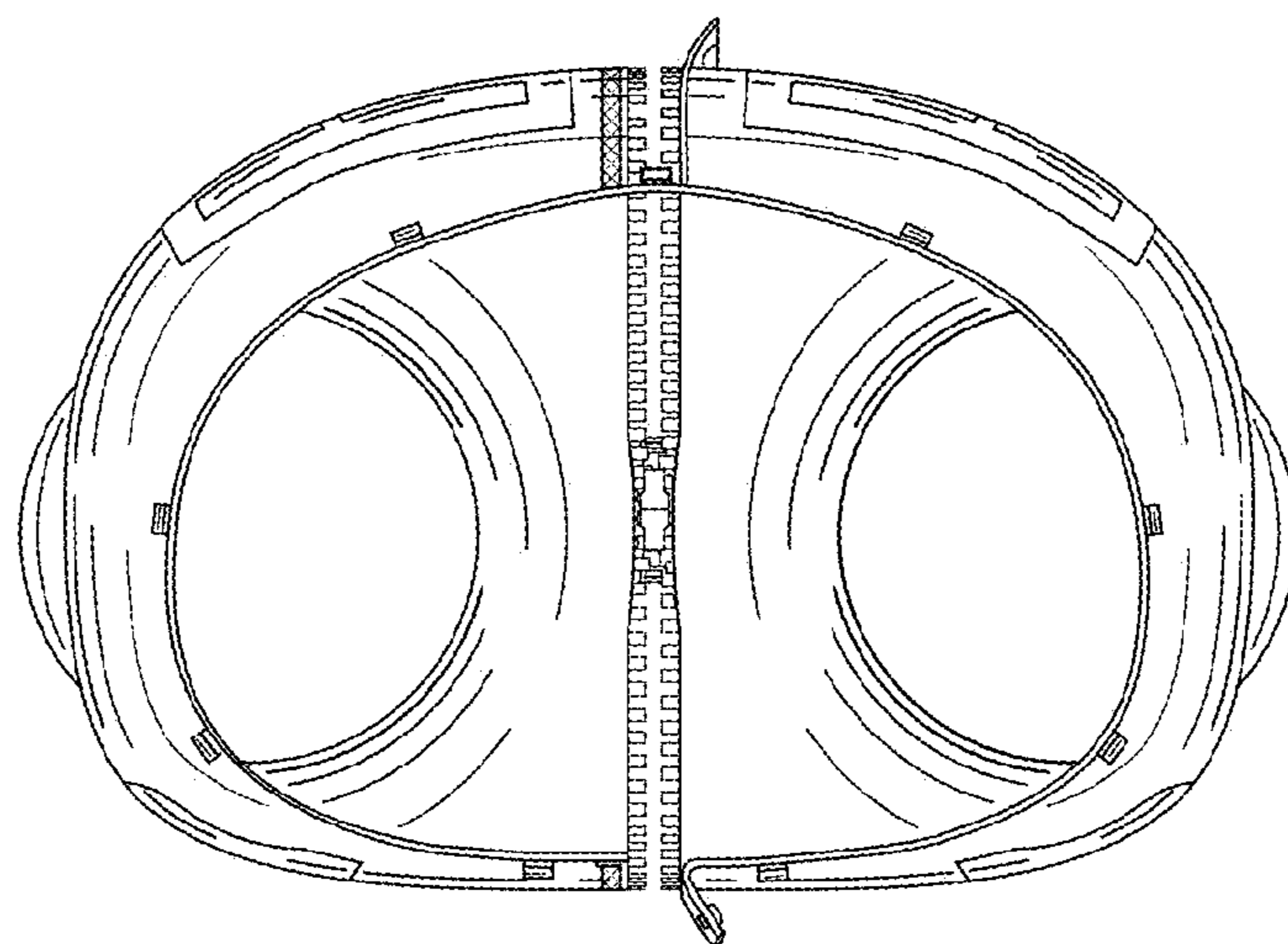


Fig. 13

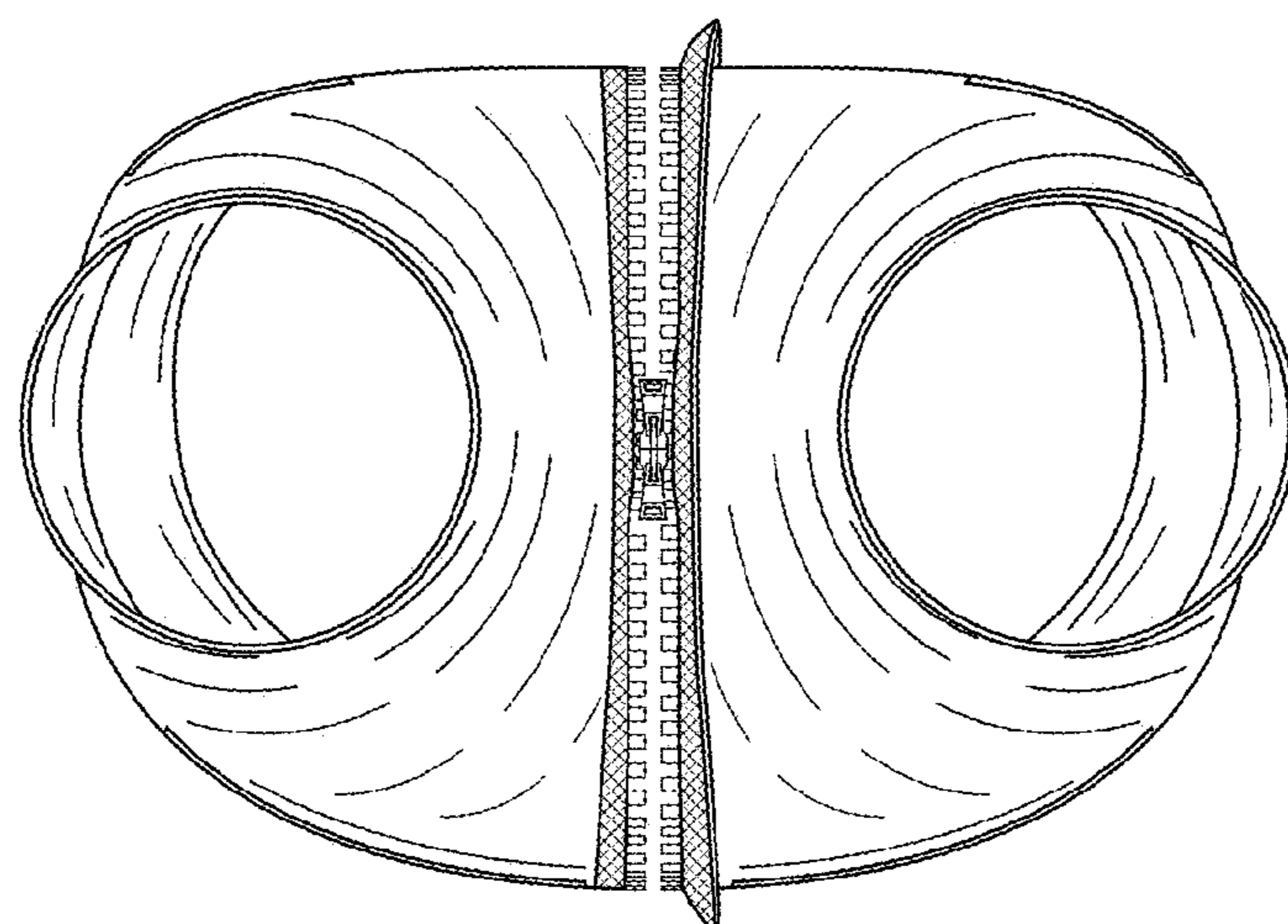


Fig. 14