



US00D674983S

(12) **United States Design Patent**  
**Auf der Maur**

(10) **Patent No.:** **US D674,983 S**  
(45) **Date of Patent:** **\*\* Jan. 22, 2013**

(54) **GRIPPER**

(75) Inventor: **Konrad Auf der Maur**, Gossau (CH)

(73) Assignee: **Ferag AG**, Hinwil (CH)

(\*\*) Term: **14 Years**

(21) Appl. No.: **29/424,523**

(22) Filed: **Jun. 13, 2012**

**Related U.S. Application Data**

(62) Division of application No. 29/390,594, filed on Apr. 27, 2011, now Pat. No. Des. 668,832.

**Foreign Application Priority Data**

Oct. 29, 2010 (WO) ..... DM/074 683

(51) **LOC (9) Cl.** ..... **12-05**

(52) **U.S. Cl.** ..... **D34/35**

(58) **Field of Classification Search** ..... D34/35,  
D34/29; 198/851, 838, 853, 825; 104/93,  
104/153, 106, 150; 271/99, 10.04, 10.01,  
271/11, 10.11; D15/28, 32

See application file for complete search history.

(56) **References Cited**

**U.S. PATENT DOCUMENTS**

D142,093 S 8/1945 Kennedy  
4,299,381 A 11/1981 Smith

4,570,543 A 2/1986 Ishikura et al.  
D301,179 S 5/1989 Miller  
5,125,637 A 6/1992 Glaser  
D367,143 S 2/1996 Sauber  
D373,883 S 9/1996 Dillard  
D448,908 S 10/2001 Kangas et al.  
D459,047 S 6/2002 Tanaka  
6,616,137 B2 9/2003 Kaya et al.  
7,252,209 B2 8/2007 Julius  
D586,074 S 2/2009 Auf der Maur  
D668,832 S \* 10/2012 Auf Der Maur ..... D34/35

\* cited by examiner

*Primary Examiner* — Cynthia Ramirez

(74) *Attorney, Agent, or Firm* — Rankin, Hill & Clark LLP

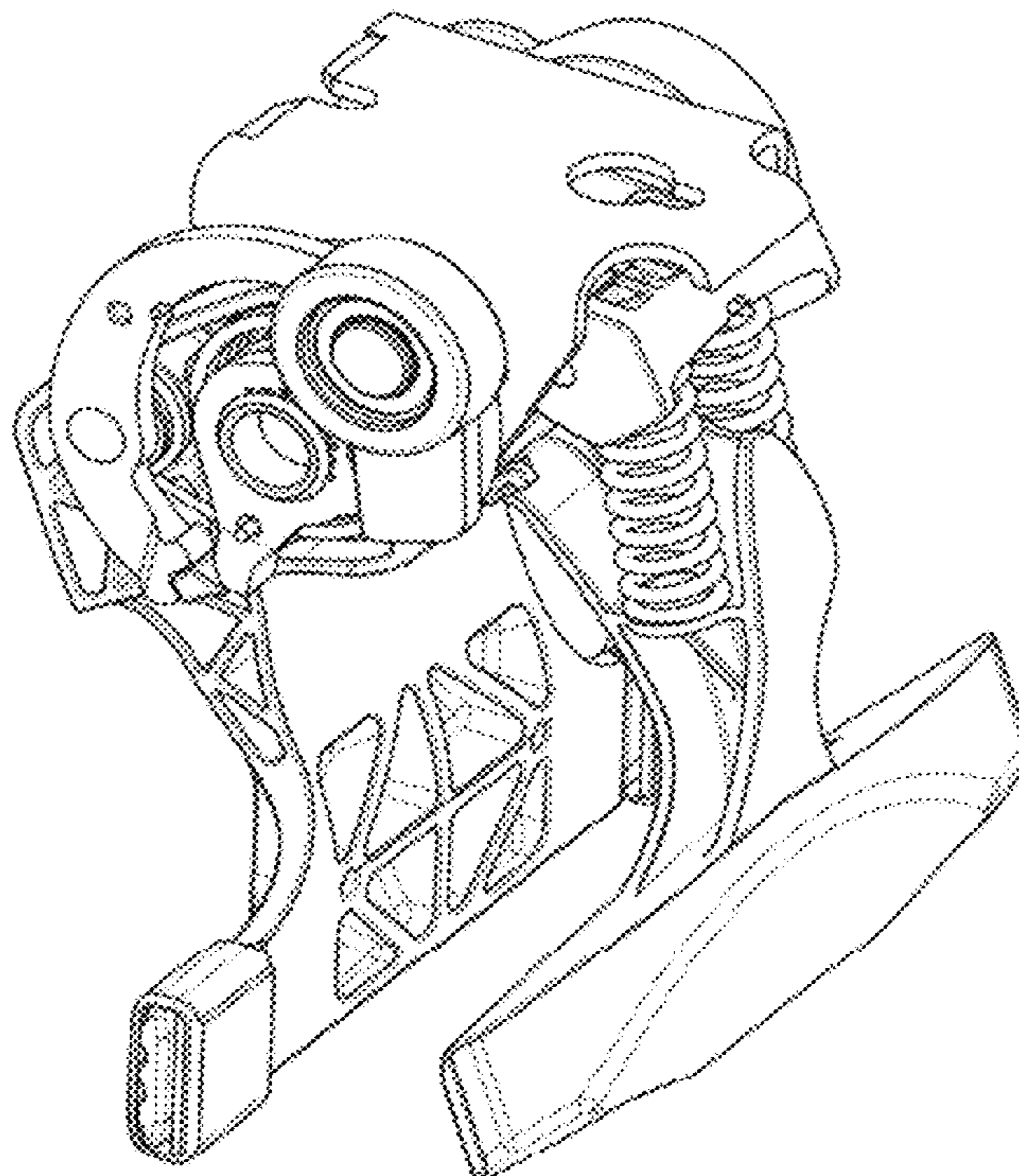
(57) **CLAIM**

The ornamental design for a gripper, as shown and described.

**DESCRIPTION**

FIG. 1 is a front left perspective view of a gripper embodying my new design;  
FIG. 2 is a rear right view of the device shown in FIG. 1;  
FIG. 3 is a right side elevational view of the device shown in FIG. 1;  
FIG. 4 is a left side elevational view of the device shown in FIG. 1;  
FIG. 5 is a top view of the device shown in FIG. 1;  
FIG. 6 is a bottom view of the device shown in FIG. 1;  
FIG. 7 is a front view of the device shown in FIG. 1; and,  
FIG. 8 is a rear view of the device shown in FIG. 1.

**1 Claim, 8 Drawing Sheets**



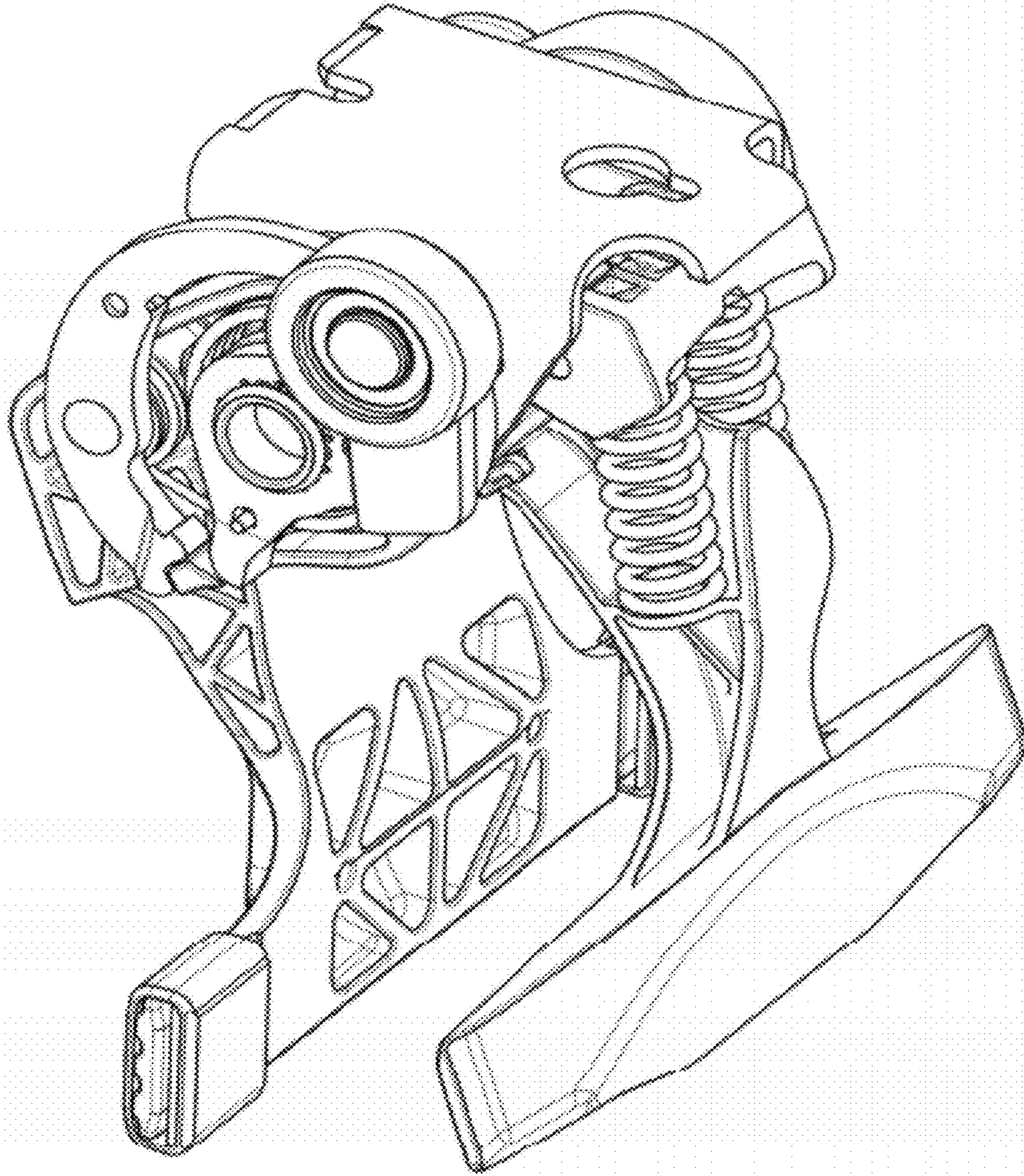


FIG. 1



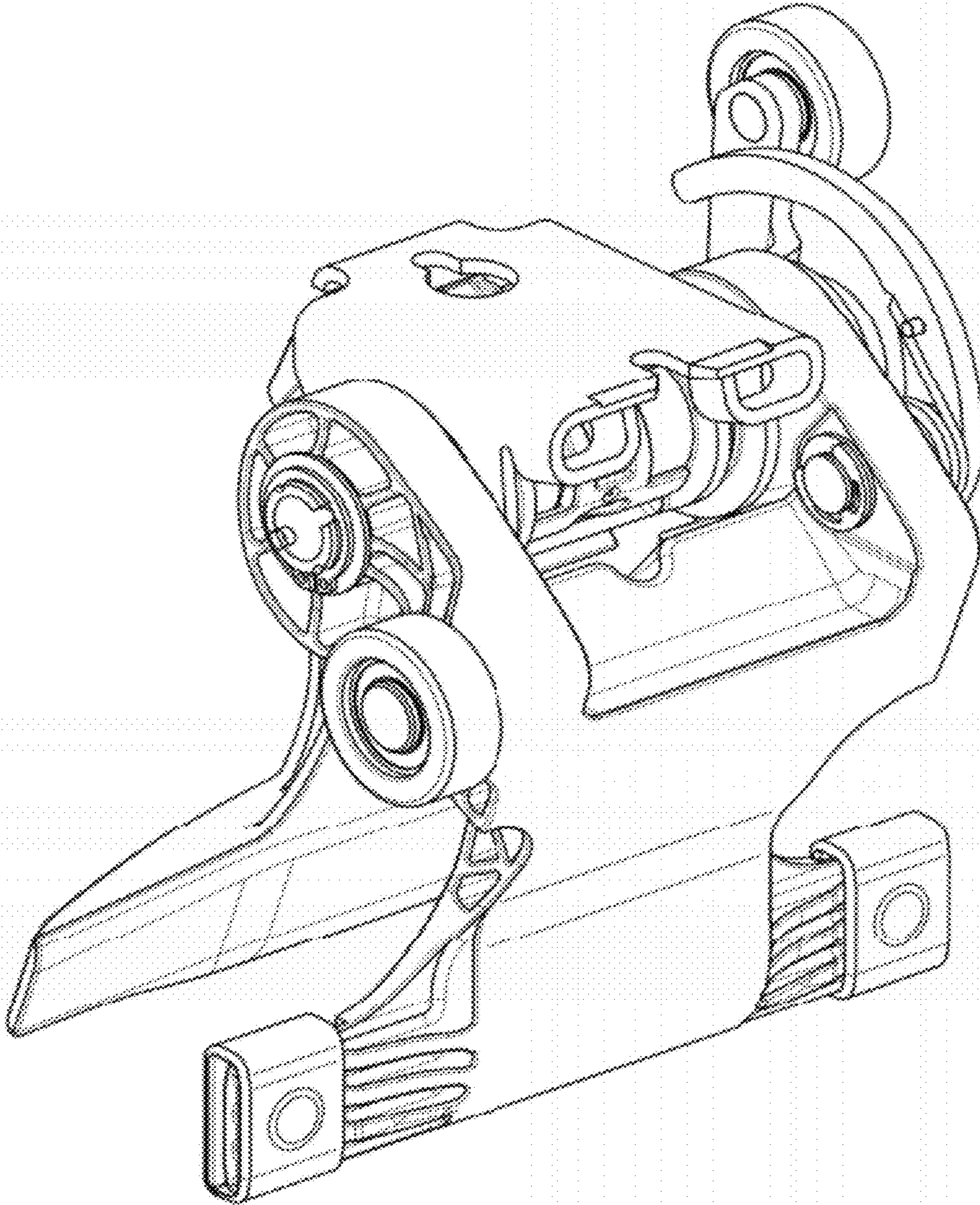


FIG. 2



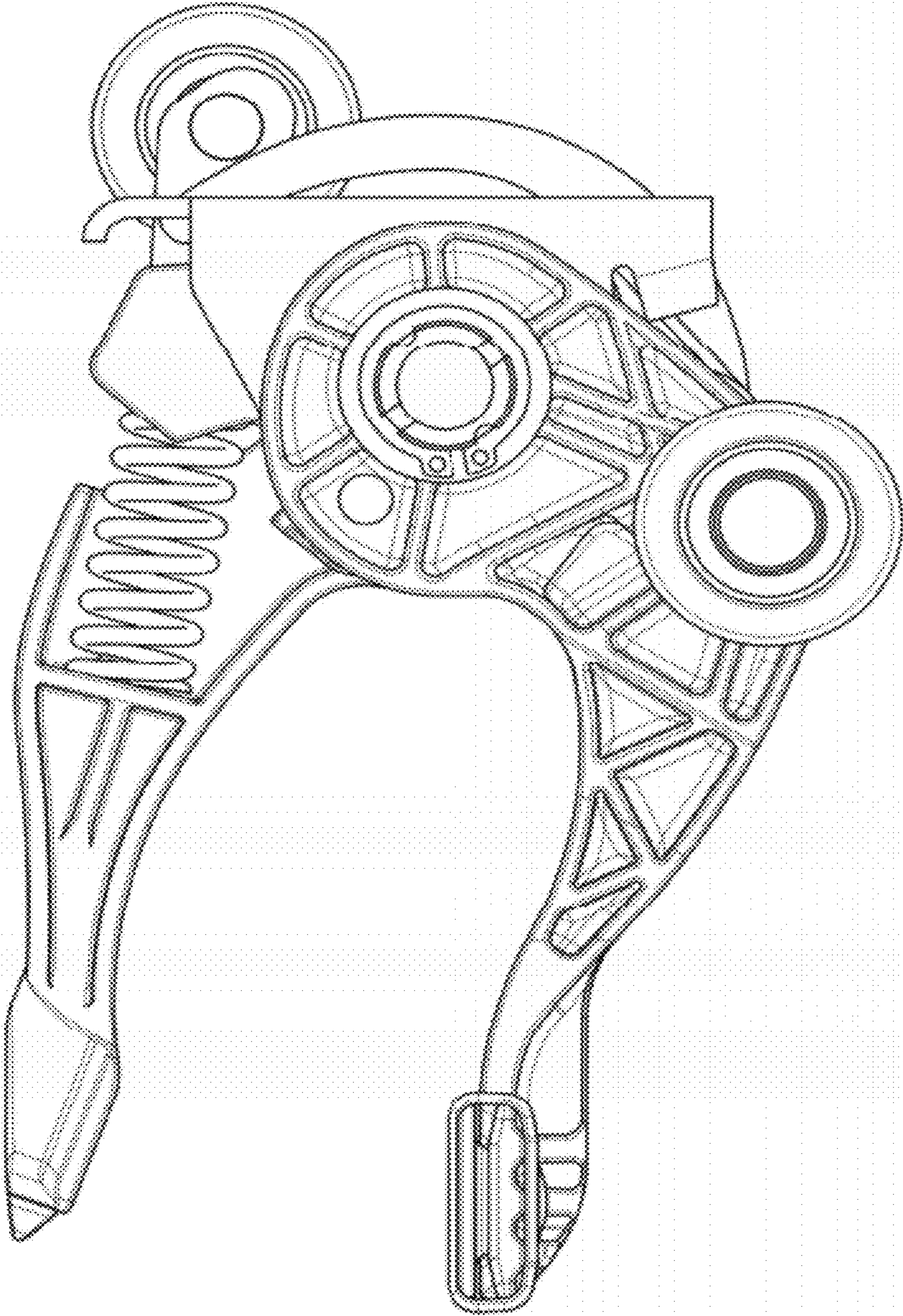


FIG. 3



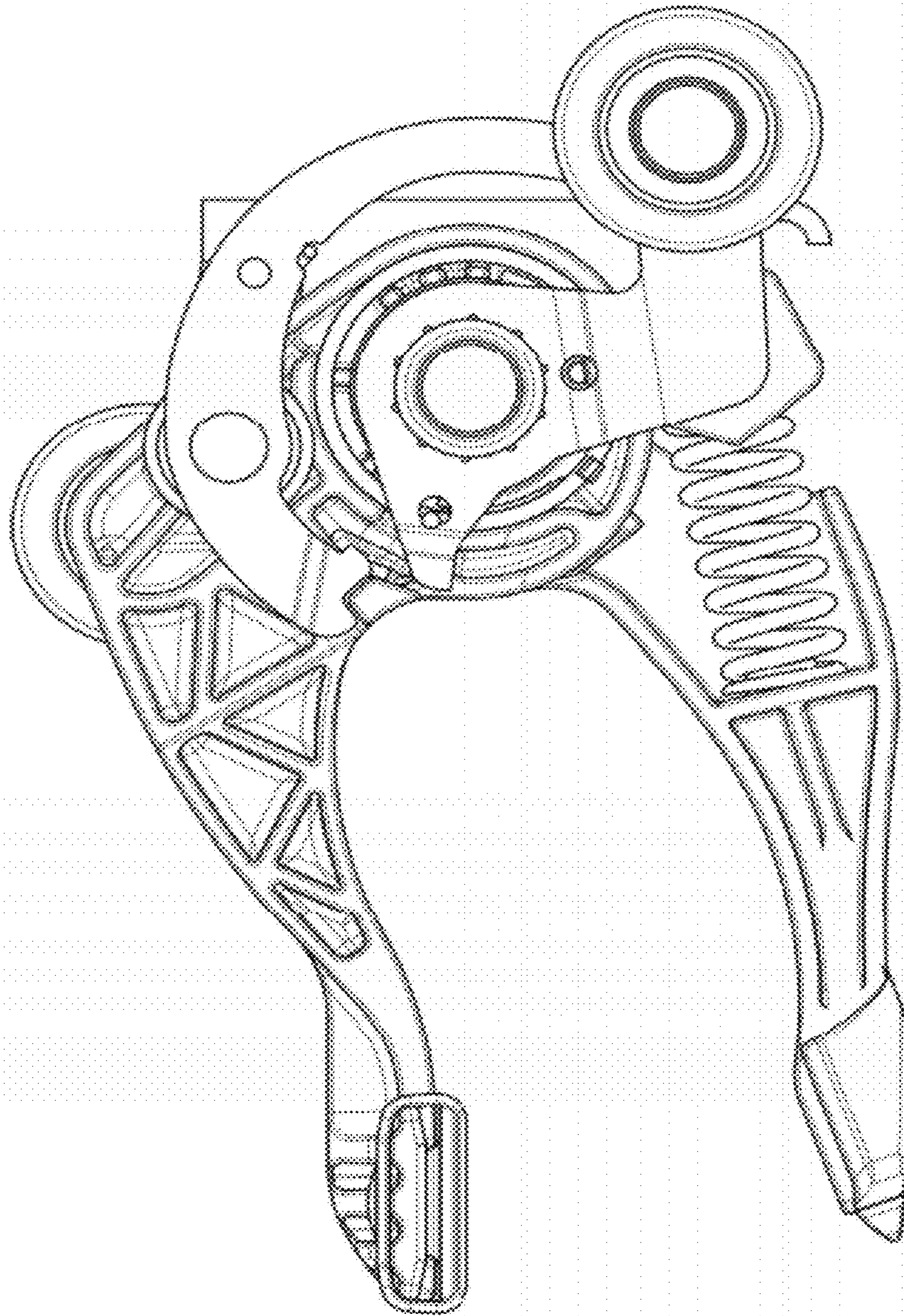


FIG. 4

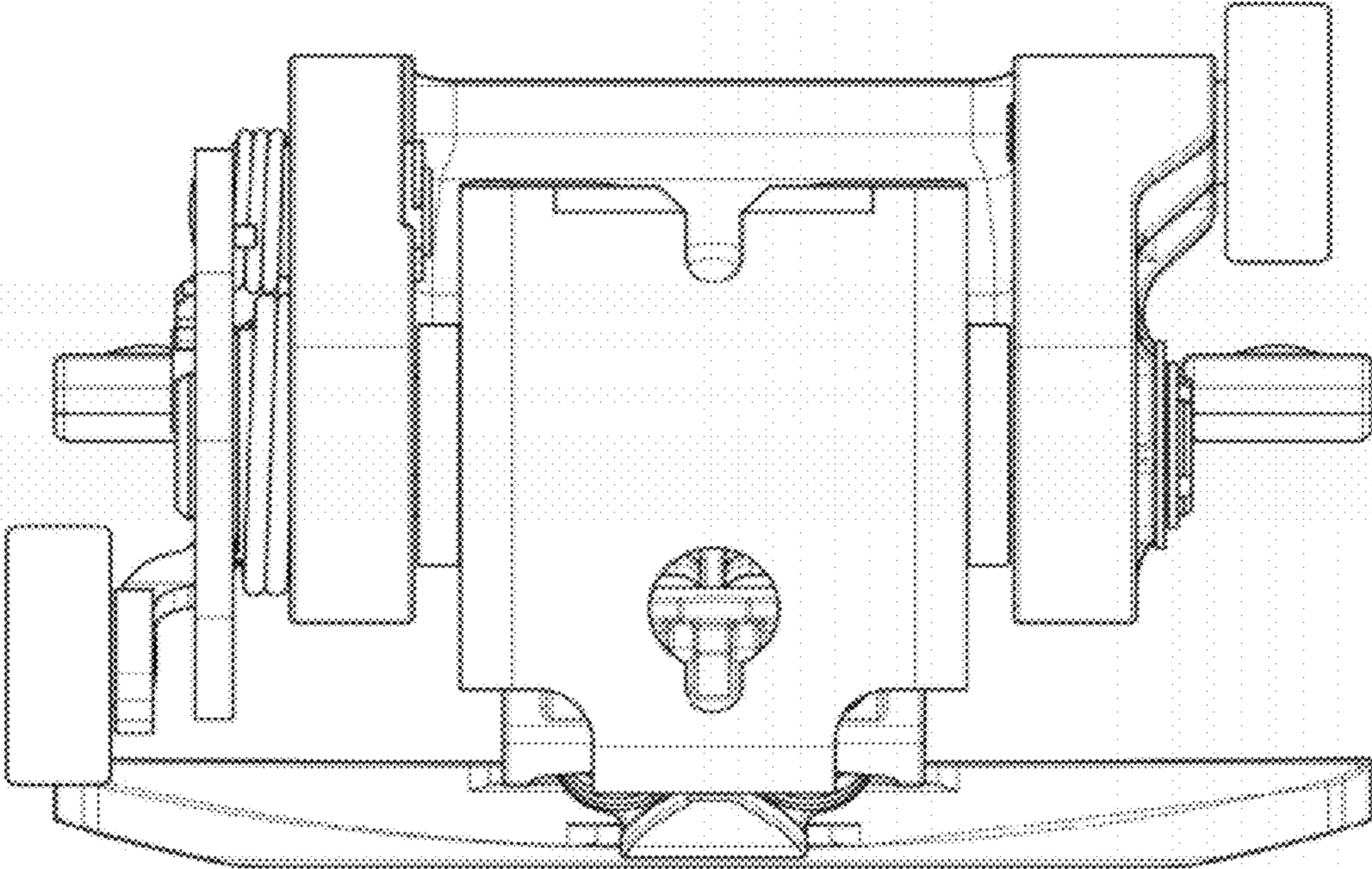


FIG. 5



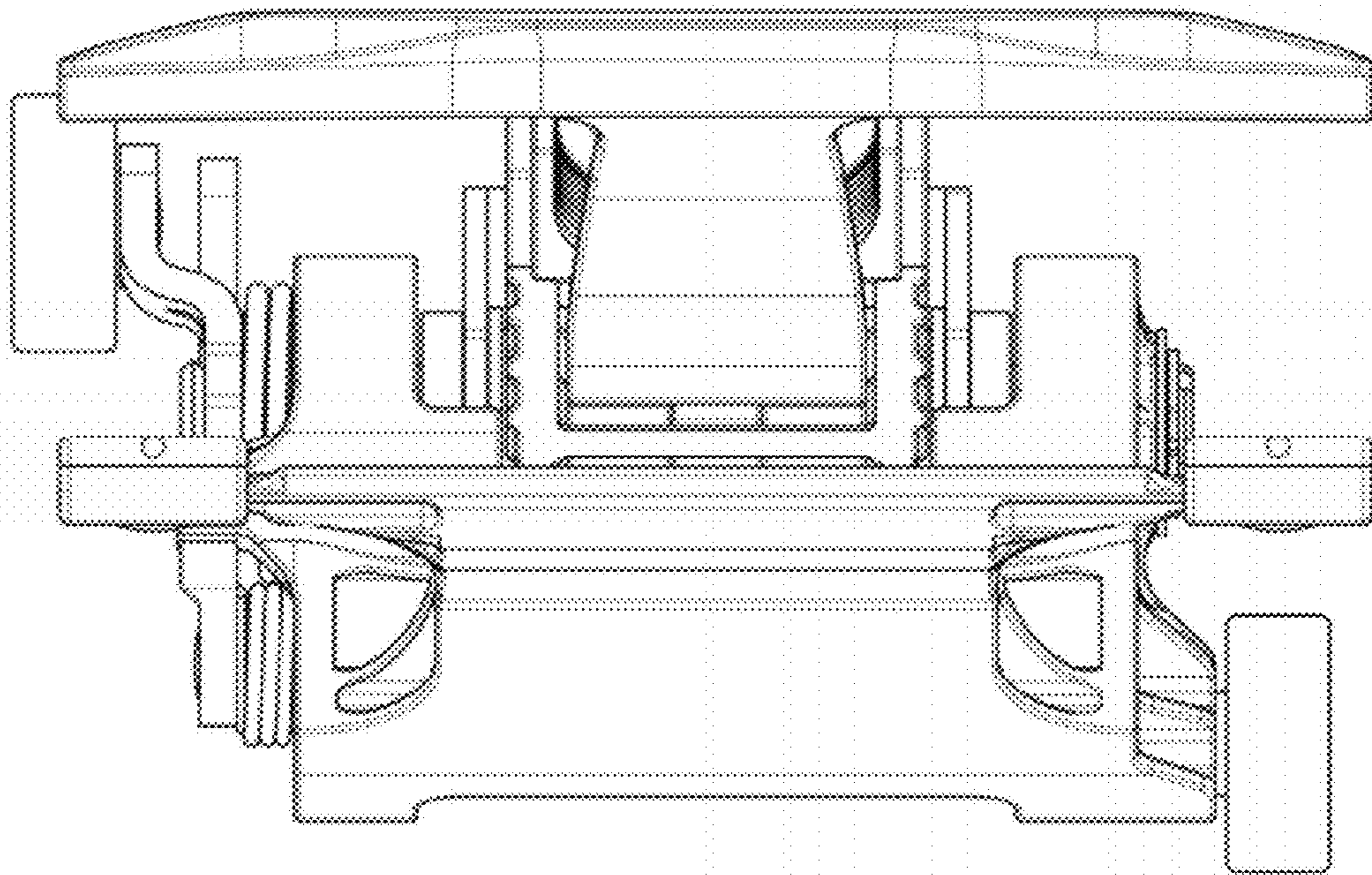


FIG. 6

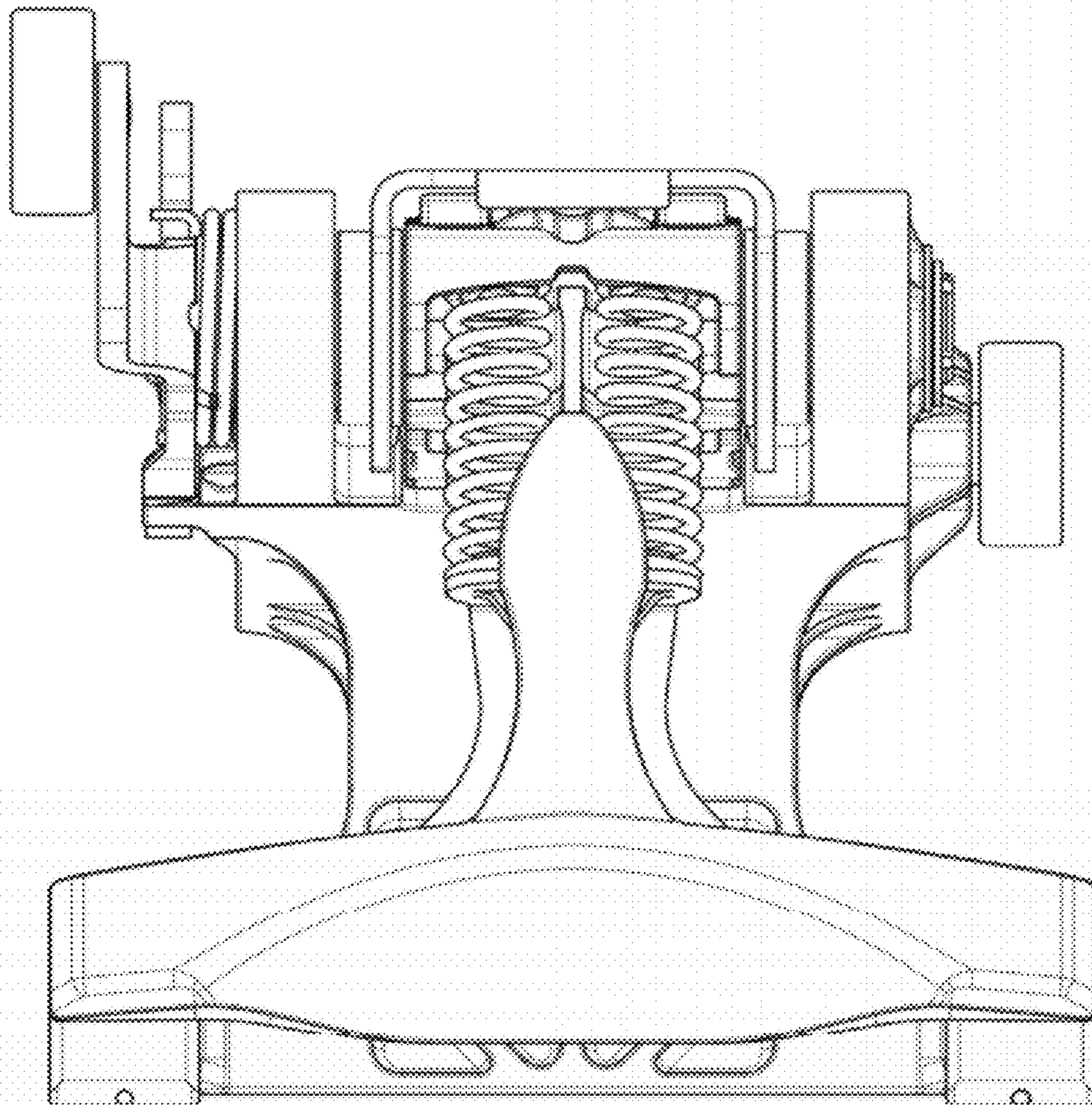


FIG. 7



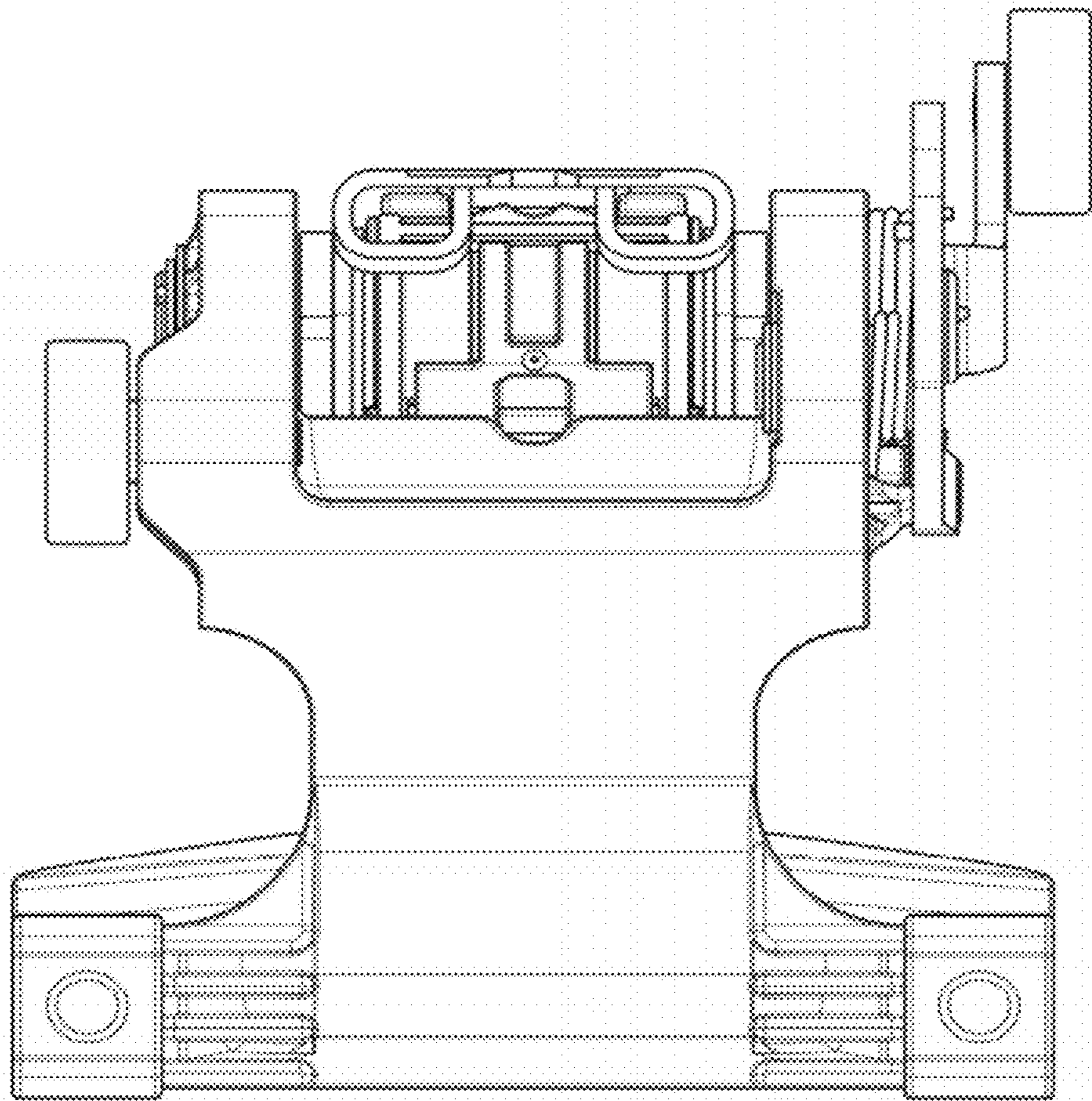


FIG. 8