

US00D674982S

(12) **United States Design Patent**
Babel et al.

(10) **Patent No.:** **US D674,982 S**
(45) **Date of Patent:** **** Jan. 22, 2013**

(54) **INSTRUMENT COVER FOR LIFT TRUCK**
(75) Inventors: **Christoph Babel**, Tuerkenfeld (DE);
James Valentine Kraimer, Haimhausen
(DE)
(73) Assignee: **Crown Equipment Corporation**, New
Bremen, OH (US)
(**) Term: **14 Years**

D537,227 S *	2/2007	Ruppert	D34/35
D548,923 S *	8/2007	Niebuhr	D34/34
D559,497 S *	1/2008	Ruppert et al.	D34/34
D559,498 S *	1/2008	Ruppert et al.	D34/34
D565,270 S *	3/2008	Ruppert et al.	D34/34
D587,425 S *	2/2009	Mori et al.	D34/34
D608,074 S *	1/2010	Berger et al.	D34/34
D612,563 S *	3/2010	Stark	D34/34
D651,783 S *	1/2012	Shibata et al.	D34/35
D652,194 S *	1/2012	Shibata et al.	D34/34

* cited by examiner

(21) Appl. No.: **29/409,209**
(22) Filed: **Dec. 21, 2011**

Primary Examiner — Cynthia Ramirez
(74) *Attorney, Agent, or Firm* — Stevens & Showalter LLP

(30) **Foreign Application Priority Data**
Jul. 1, 2011 (EM) 001885484-0002
(51) **LOC (9) Cl.** **12-05**
(52) **U.S. Cl.** **D34/35**
(58) **Field of Classification Search** D34/35,
D34/34; 180/299, 89.12, 315, 89.13, 89.17;
187/222, 224; 414/685, 679, 294, 572, 592,
414/631
See application file for complete search history.

(57) **CLAIM**
The ornamental design for an instrument cover for lift truck,
as shown.

(56) **References Cited**
U.S. PATENT DOCUMENTS
D427,409 S * 6/2000 Sato et al. D34/34
D461,942 S * 8/2002 Gallagher D34/35
D492,833 S * 7/2004 Henshaw et al. D34/34
D499,521 S * 12/2004 Swetish et al. D34/35
D526,460 S * 8/2006 Goto et al. D34/34

DESCRIPTION

FIG. 1 is a perspective view of an instrument cover for a lift truck as seen from the top, rear and right side showing our new design and the environment of a fork lift truck which uses the instrument cover;
FIG. 2 is a front elevational view thereof;
FIG. 3 is a rear elevational view thereof;
FIG. 4 is a top plan view thereof;
FIG. 5 is a bottom plan view thereof;
FIG. 6 is a right side elevational view thereof; and,
FIG. 7 is a left side elevational view thereof.
The broken line showing in FIG. 1 is included for the purpose of illustrating environmental structure and forms no part of the claimed design.

1 Claim, 7 Drawing Sheets

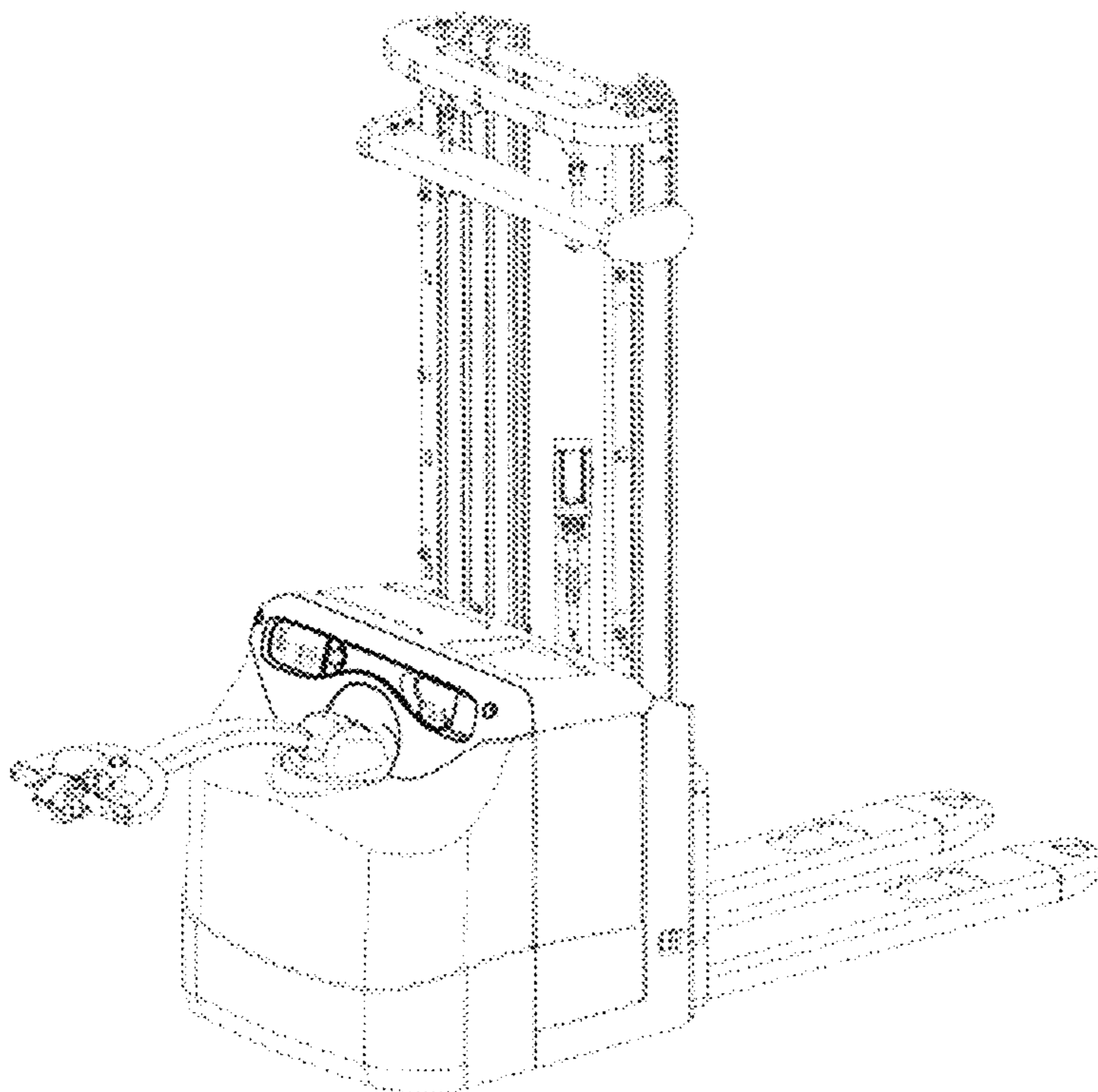


FIG. 1

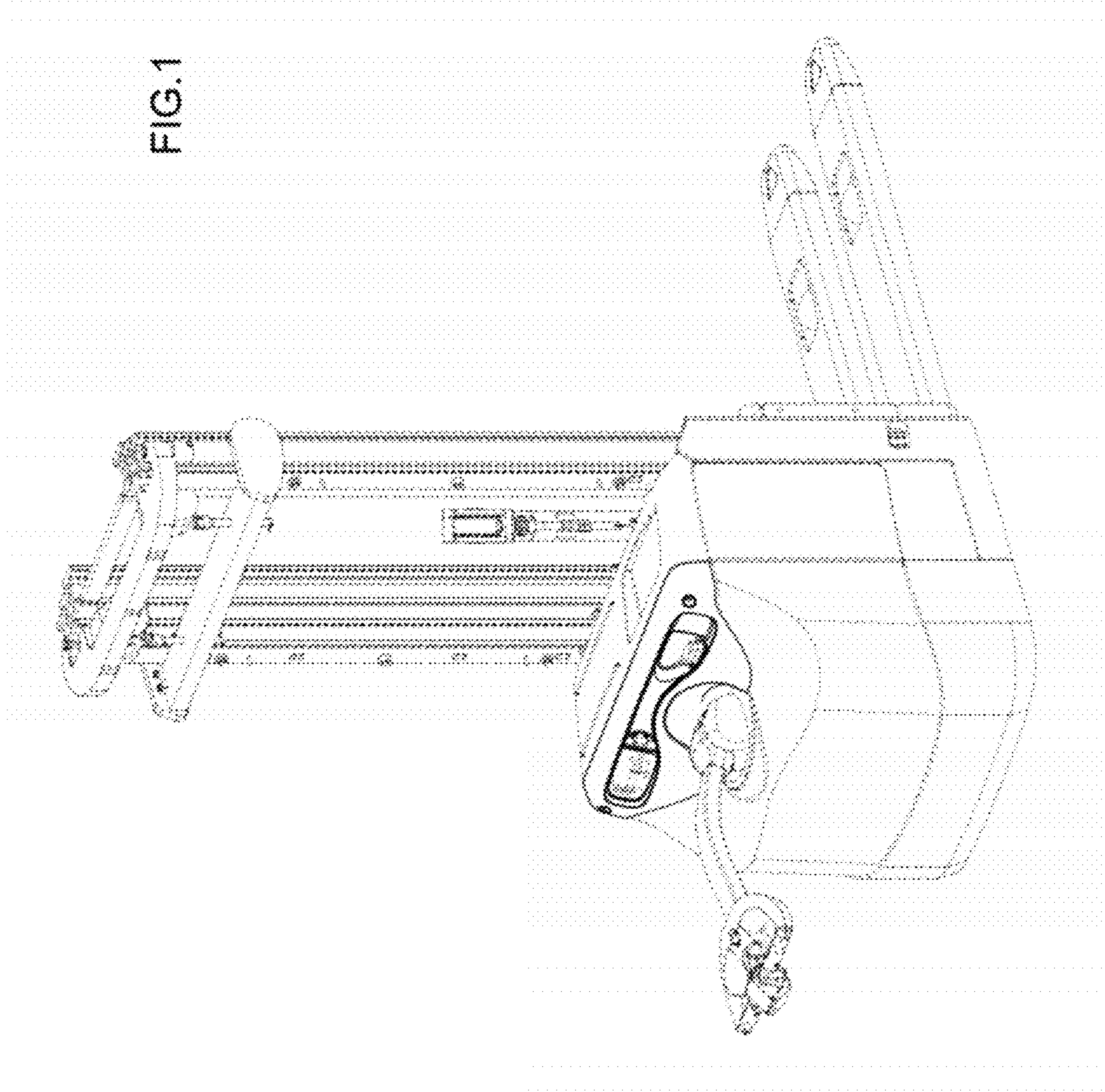


FIG. 2

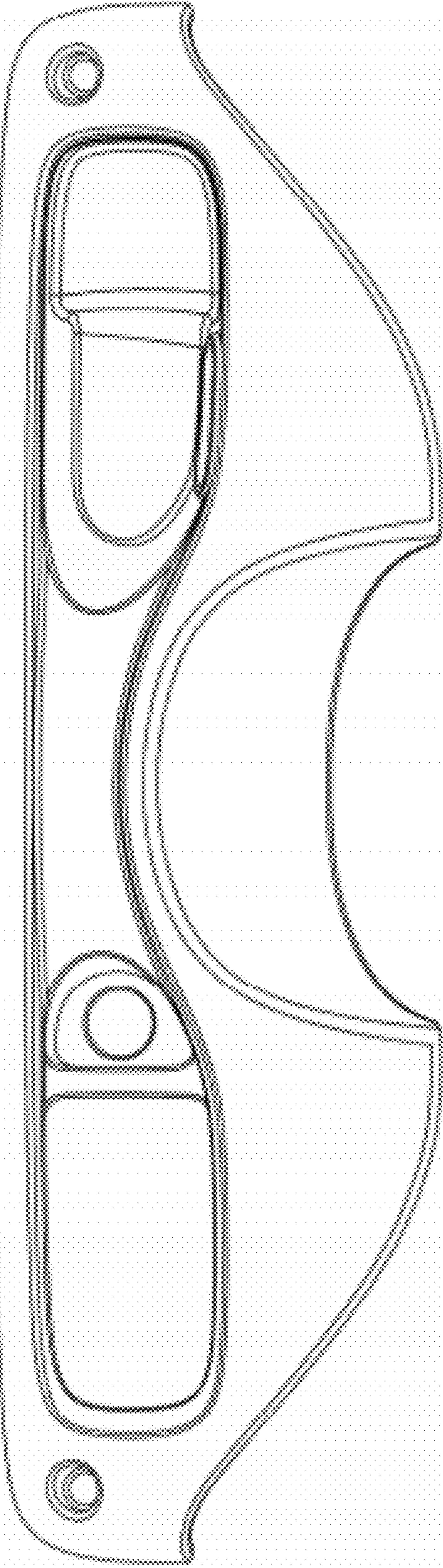


FIG. 3

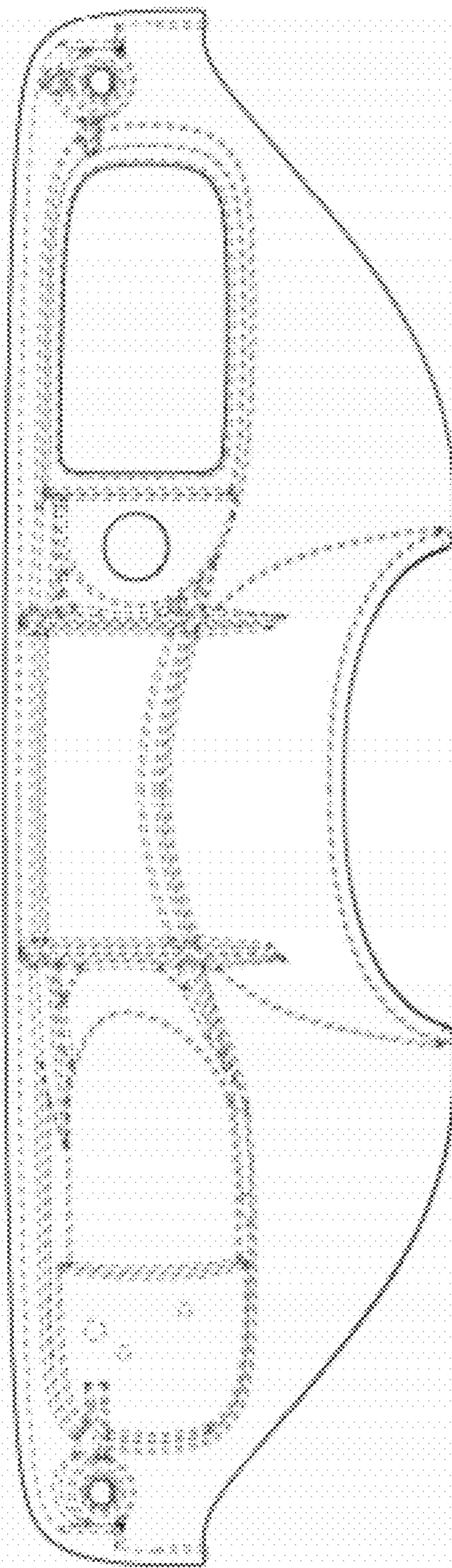


FIG. 4

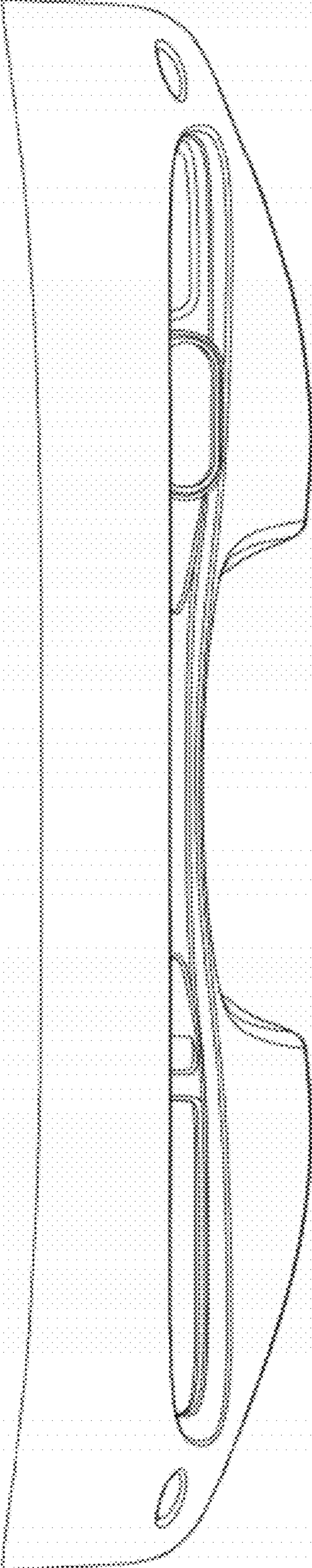
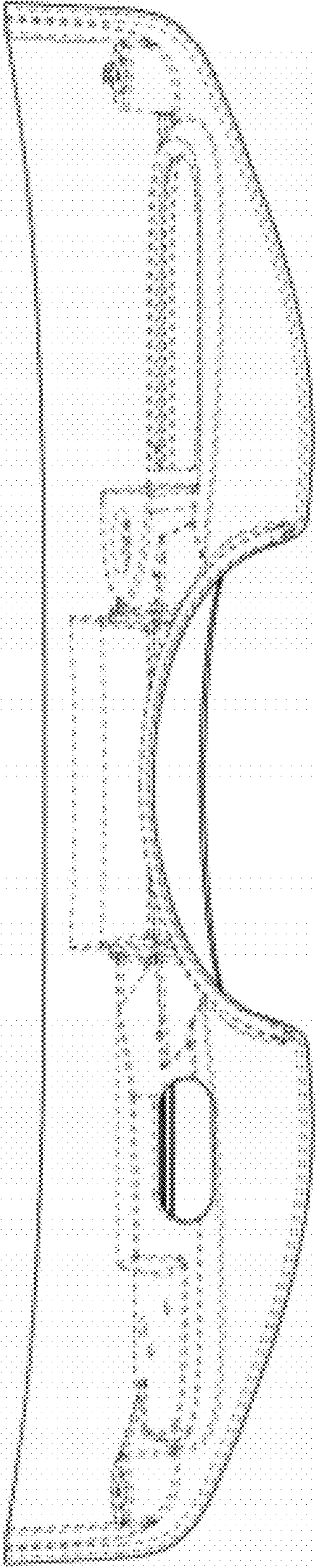


FIG. 5



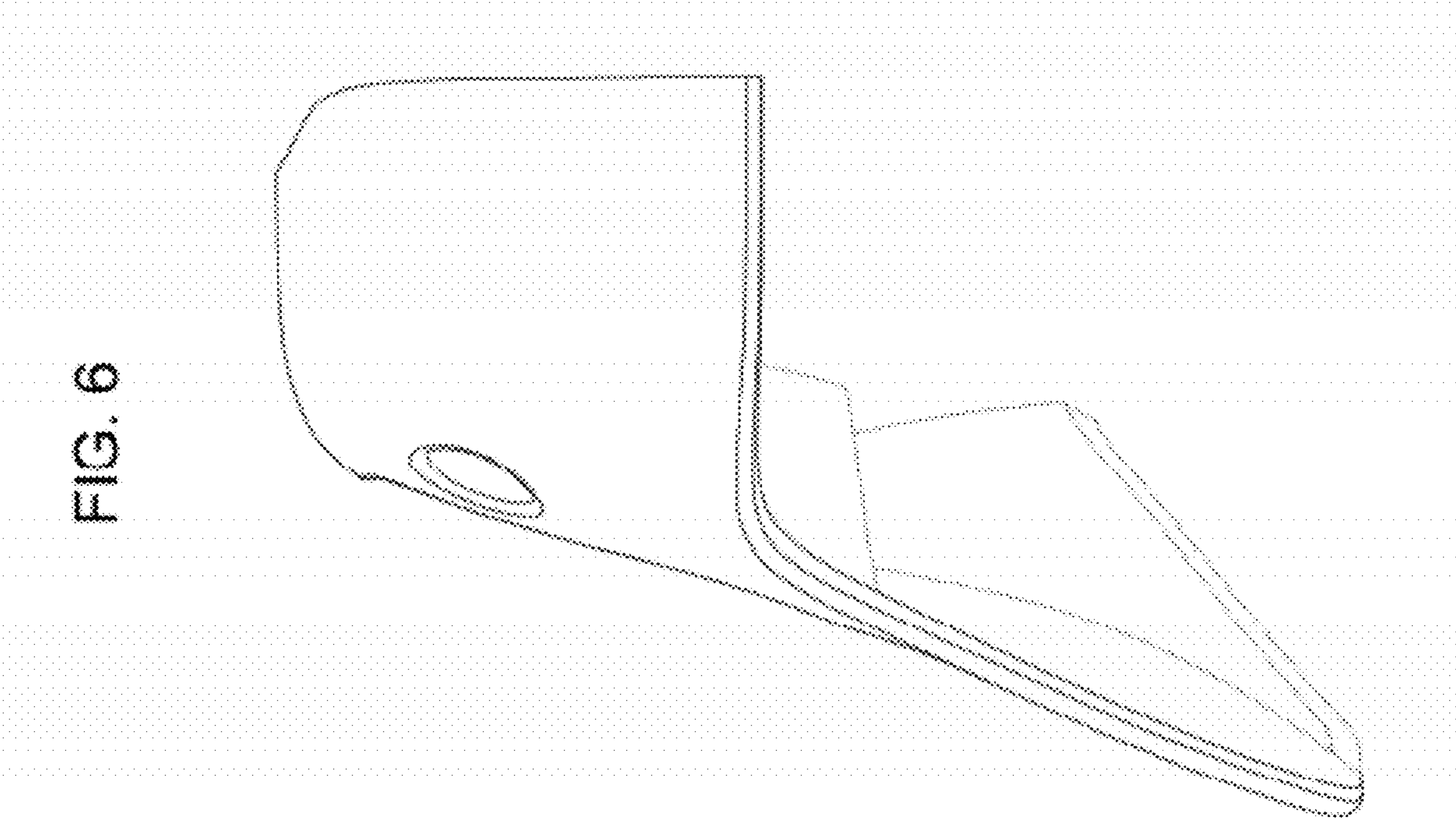


FIG. 6

FIG. 7

