



US00D674981S

(12) **United States Design Patent**
Liljedahl

(10) **Patent No.:** **US D674,981 S**

(45) **Date of Patent:** **** Jan. 22, 2013**

(54) **SUPPORT STRAP**

(75) Inventor: **Barbro Liljedahl**, Lulea (SE)

(73) Assignee: **Liko Research & Development AB**,
Lulea (SE)

(**) Term: **14 Years**

(21) Appl. No.: **29/425,908**

(22) Filed: **Jun. 28, 2012**

Related U.S. Application Data

(62) Division of application No. 29/354,651, filed on Jan. 27, 2010, now Pat. No. Des. 665,963.

(51) **LOC (9) Cl.** **12-05**

(52) **U.S. Cl.** **D34/28**

(58) **Field of Classification Search** 5/81.1,
5/510; D34/28; 16/DIG. 28; D8/14, 88,
D8/89; 294/149, 15, 26, 19.1, 68.1, 152,
294/155, 165, 170

See application file for complete search history.

(56) **References Cited**

U.S. PATENT DOCUMENTS

2,723,067	A	7/1952	Fretz	
3,031,359	A	4/1962	Blank et al.	
3,143,266	A	8/1964	Imatake	
D203,208	S	12/1965	Hillman	
5,232,258	A	8/1993	Rossi	
5,297,834	A	3/1994	Vanarnem	
5,439,265	A	8/1995	Plante	
D362,327	S	9/1995	Nelson	
D376,692	S	12/1996	Hartman	
5,963,995	A	10/1999	Glass	
D475,495	S	6/2003	Edwards	
D475,496	S	6/2003	Edwards	
D600,424	S	9/2009	Pouliot et al.	
D665,963	S	* 8/2012	Liljedahl D34/28

* cited by examiner

Primary Examiner — Cynthia Ramirez

(74) *Attorney, Agent, or Firm* — Dinsmore & Shohl LLP

(57) **CLAIM**

The ornamental design for support strap, as shown and described.

DESCRIPTION

FIG. 1 is a top view of a first embodiment of a support strap with the pockets in closed positions;

FIG. 2 is a top perspective view of the support strap of FIG. 1 with the pockets in open positions;

FIG. 3 is a bottom view of the support strap of FIG. 1;

FIG. 4 is a bottom perspective view of the support strap of FIG. 1;

FIG. 5 is a side view of the support strap of FIG. 1 with the pockets in open positions, the opposite side being a mirror image thereof;

FIG. 6 is a side view of the support strap of FIG. 17 with the pocket in closed positions, the opposite side being a minor image thereof;

FIG. 7 is a top view of a second embodiment of a support strap with the pockets in closed positions;

FIG. 8 is a top perspective view of the support strap of FIG. 7 with the pockets in open positions;

FIG. 9 is a bottom view of the support strap of FIG. 7;

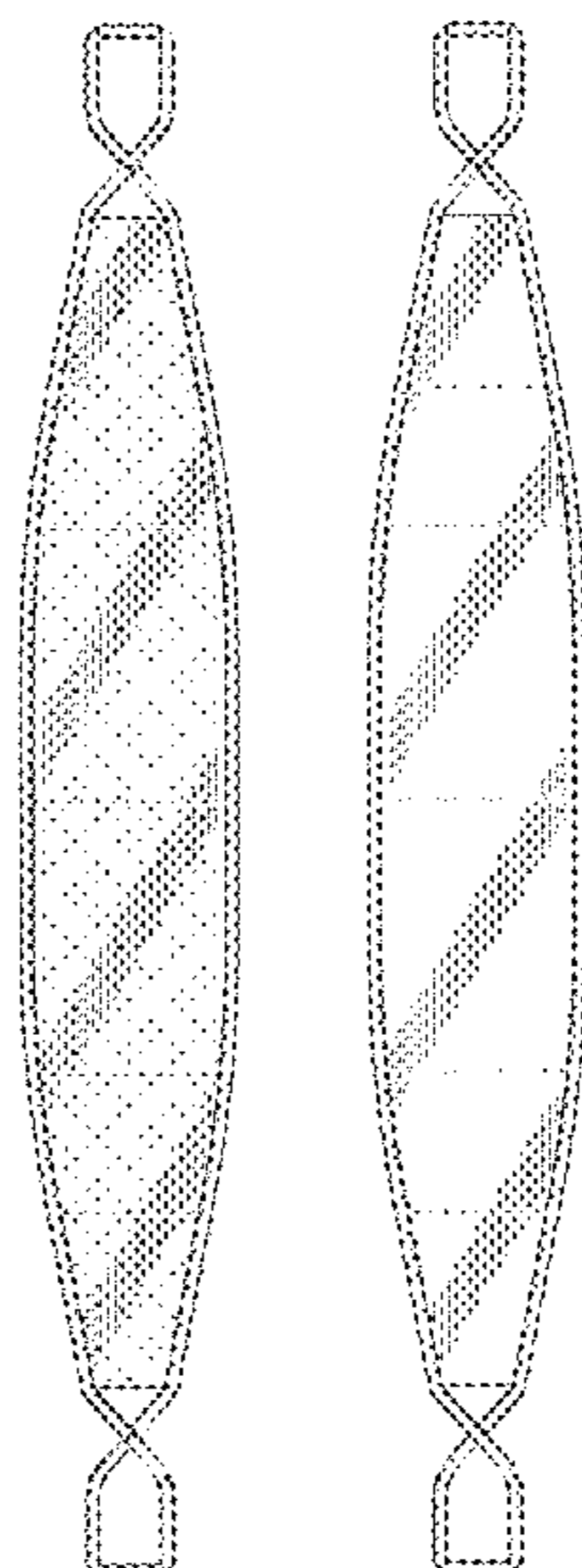
FIG. 10 is a bottom perspective view of the support strap of FIG. 7;

FIG. 11 is a side view of the support strap of FIG. 7 with the pockets in open positions, the opposite side being a mirror image thereof; and,

FIG. 12 is a side view of the support strap of FIG. 7 with the pockets in closed positions, the opposite side being a mirror image thereof.

The phantom lines and areas shown in the figures, including those lines representing stitching, are for illustrative purposes only and form no part of the claimed design. The stipple pattern shown in FIGS. 1-5 is indicative of a contrast in materials.

1 Claim, 6 Drawing Sheets



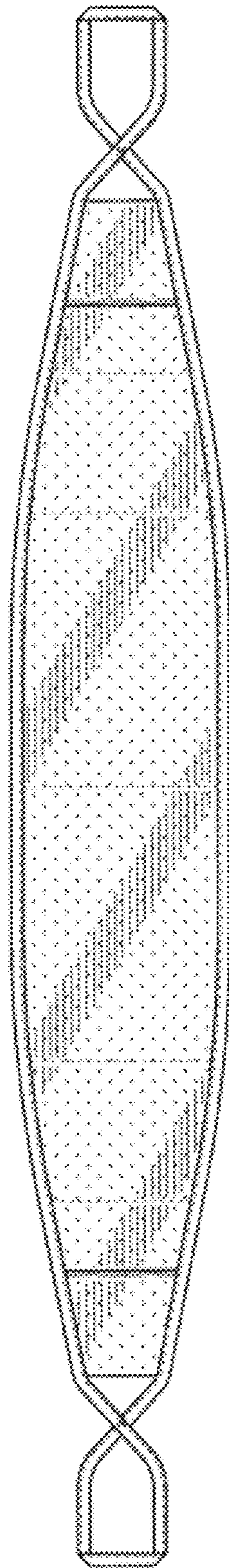


FIG. 1

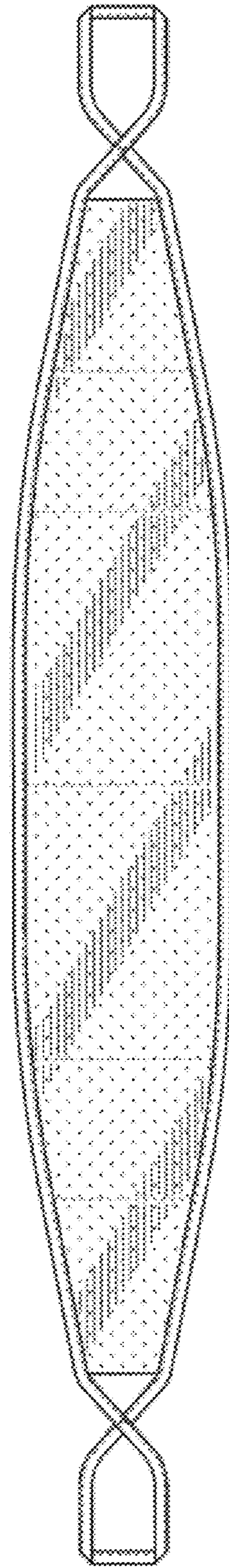


FIG. 2

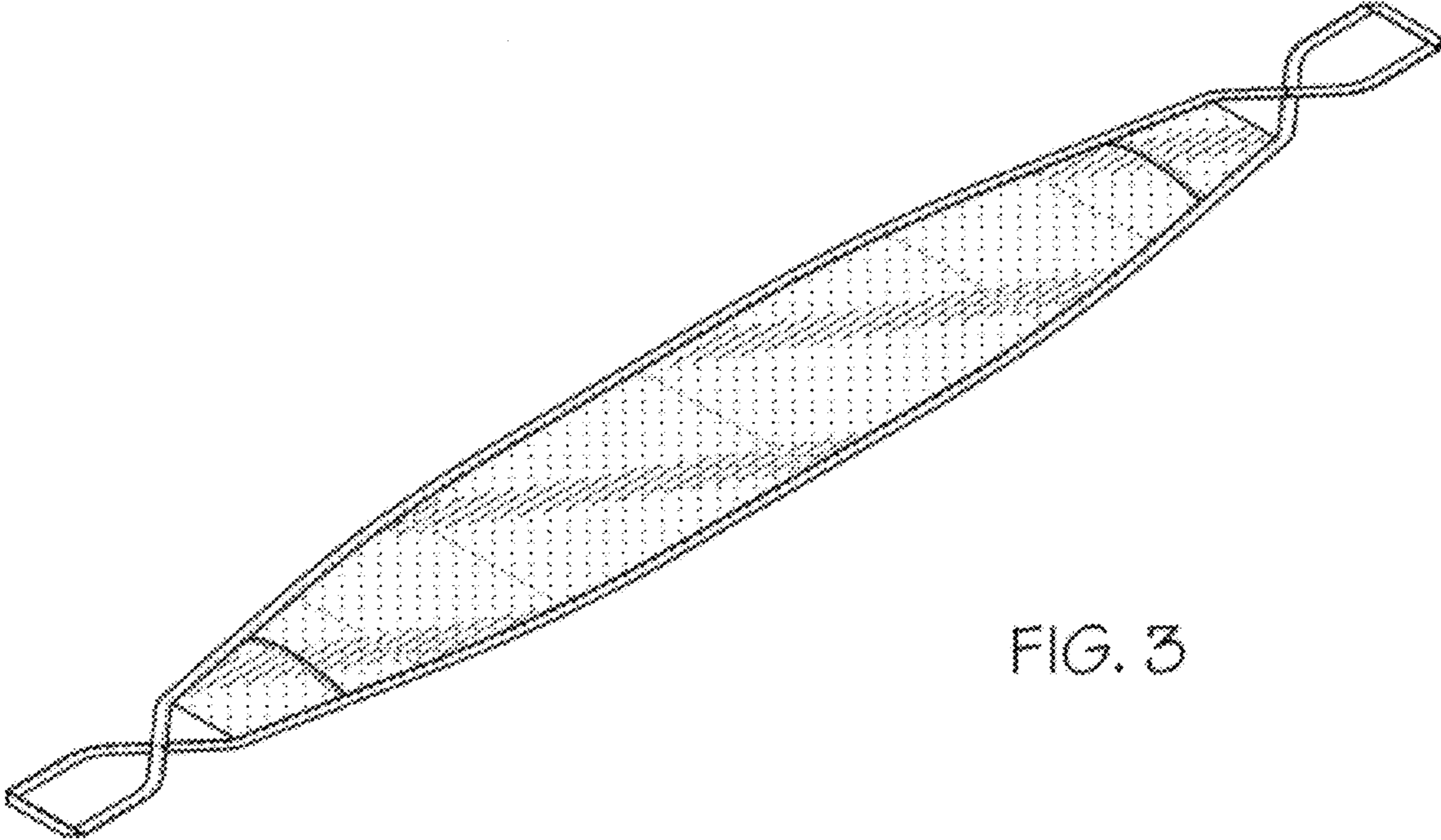


FIG. 3

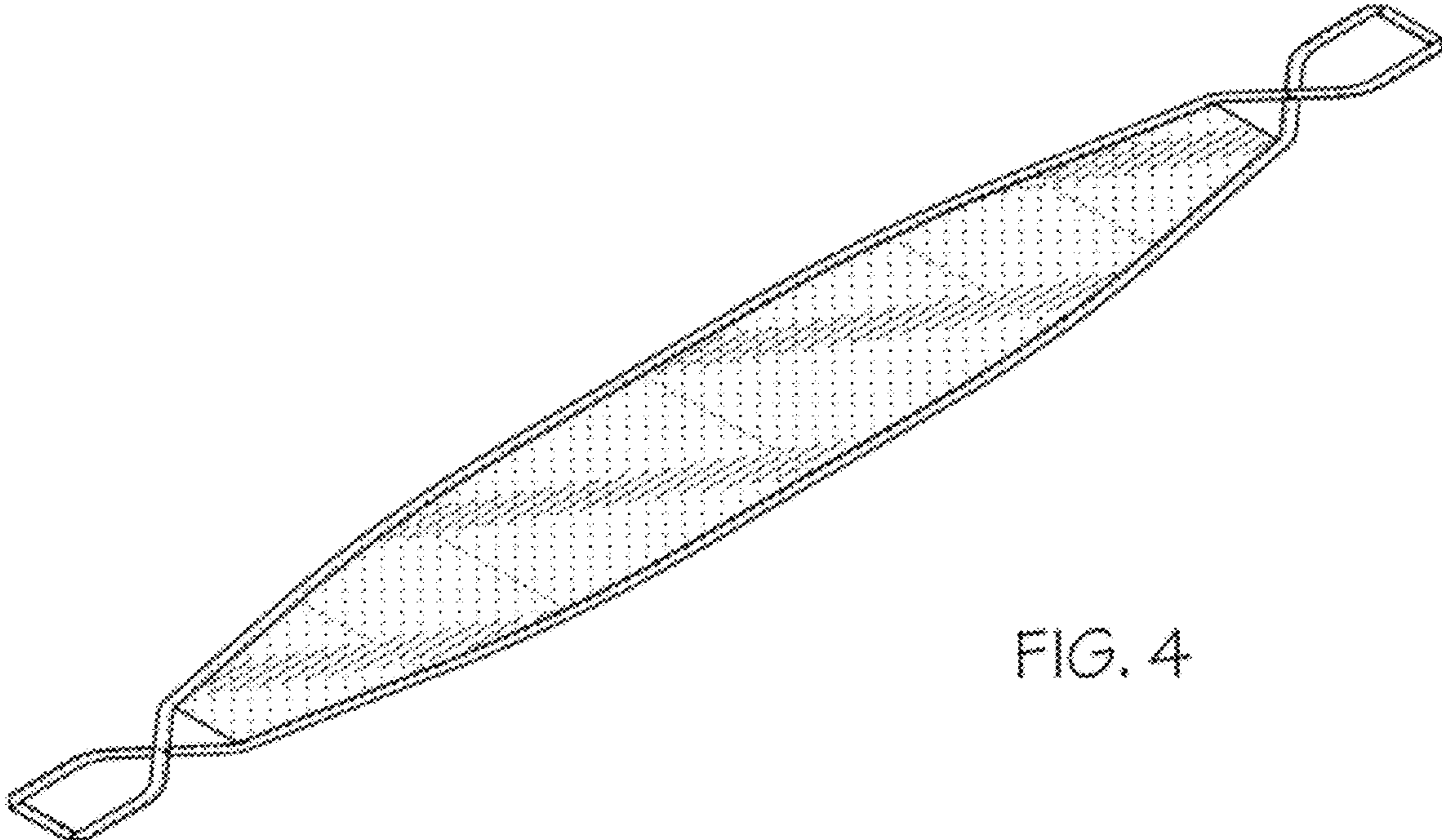


FIG. 4



FIG. 5



FIG. 6

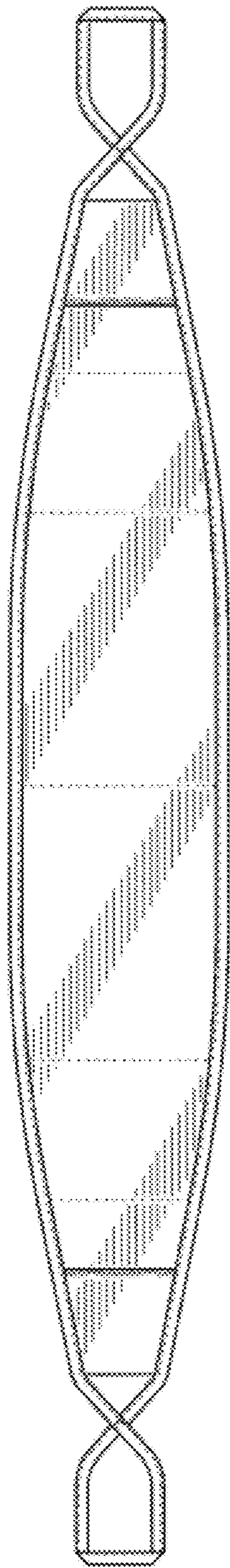


FIG. 7

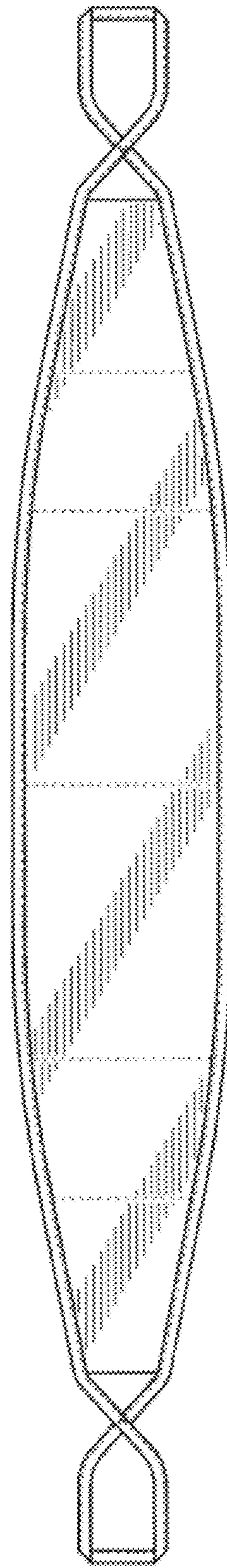


FIG. 8

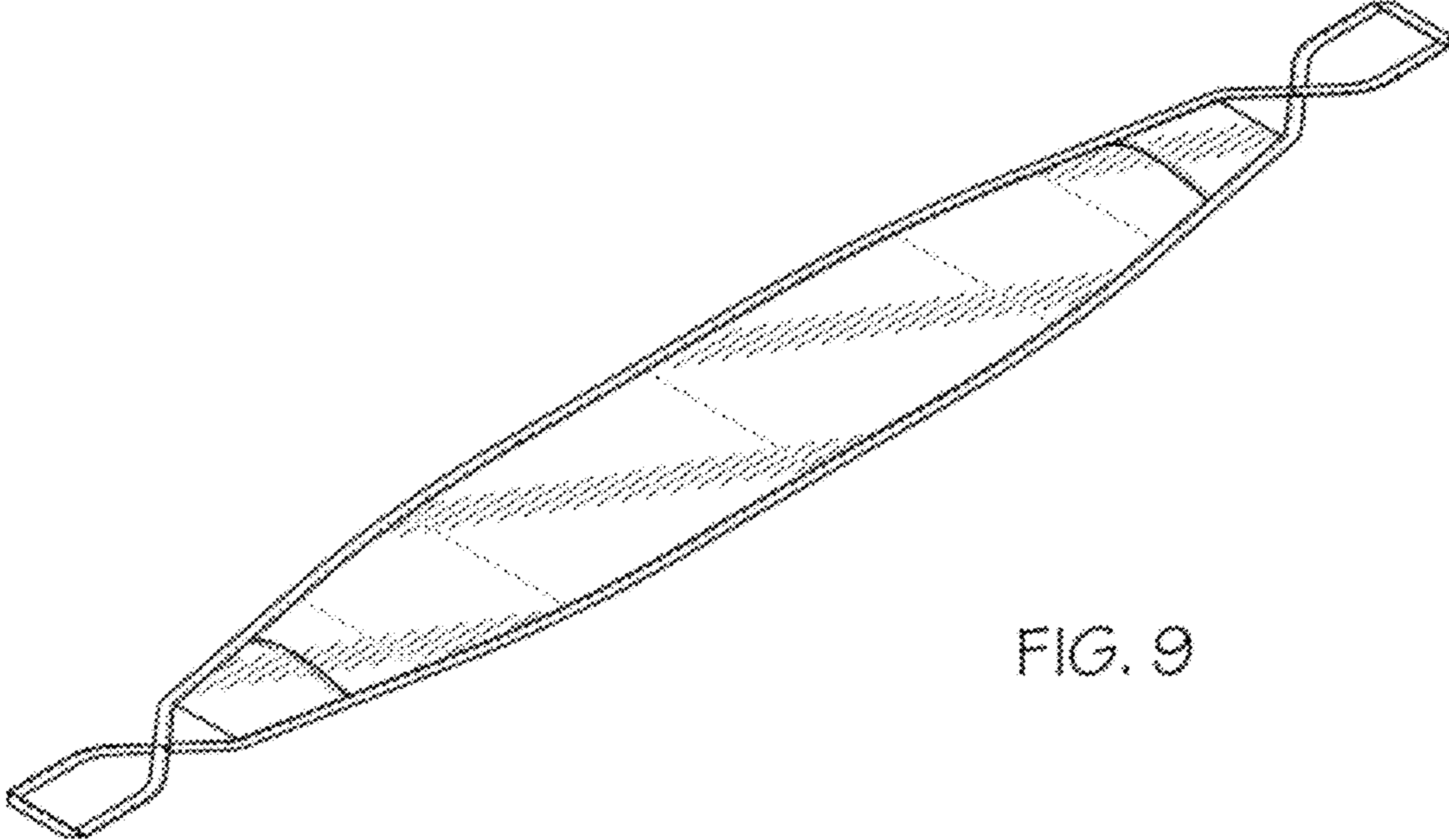


FIG. 9

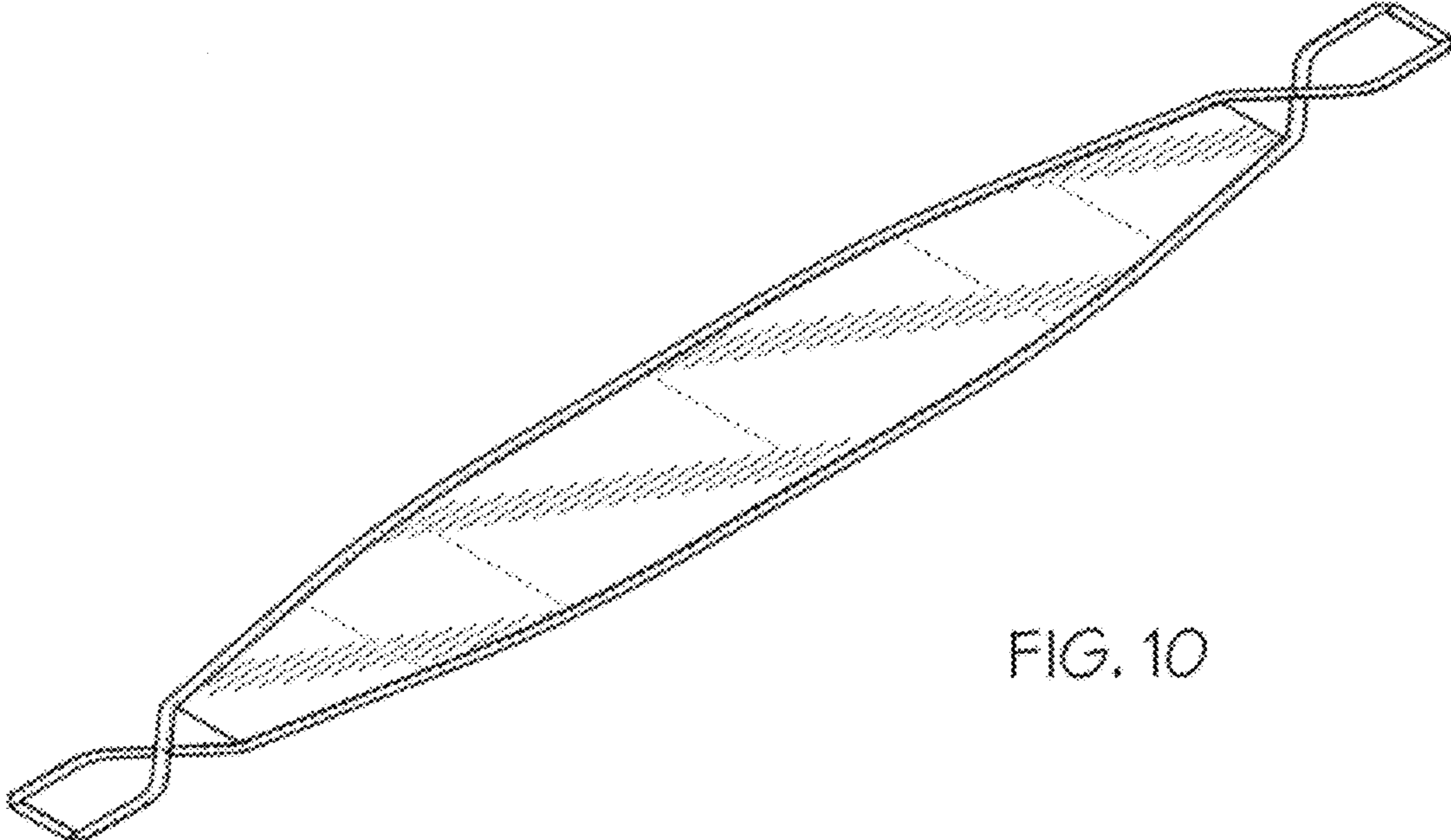


FIG. 10



FIG. 11



FIG. 12