



US00D674978S

(12) **United States Design Patent**
Hill et al.

(10) **Patent No.:** **US D674,978 S**

(45) **Date of Patent:** **** Jan. 22, 2013**

(54) **HANDHELD VACUUM TOOL ATTACHMENT**

(75) Inventors: **Jason E. Hill**, St. Louis, MO (US);
Charles Ostendorf, St. Clair, MO (US);
Vincent Lau, St. Peters, MO (US)

(73) Assignee: **Rug Doctor, Inc.**, Plano, TX (US)

(**) Term: **14 Years**

(21) Appl. No.: **29/415,100**

(22) Filed: **Mar. 7, 2012**

(51) **LOC (9) Cl.** **15-05**

(52) **U.S. Cl.** **D32/32**

(58) **Field of Classification Search** D32/17-18,
D32/31-33; 15/321-322, 415.1-422.1, 246.2,
15/400, 353; 38/77.5, 77.9; 392/384, 404;
68/5 R, 5 A, 222; 223/51, 70, 73; 239/538
See application file for complete search history.

(56) **References Cited**

U.S. PATENT DOCUMENTS

D239,243	S	*	3/1976	Hachtmann et al.	D32/32
D266,962	S	*	11/1982	Hachtmann et al.	D32/33
D296,372	S	*	6/1988	Toney et al.	D32/32
D306,788	S	*	3/1990	McAllister et al.	D32/32
5,001,806	A	*	3/1991	Gurstein	15/322
5,600,866	A	*	2/1997	Berfield	15/322
5,640,739	A	*	6/1997	Campbell	15/321
5,655,255	A	*	8/1997	Kelly	15/322
5,752,289	A	*	5/1998	Collins	15/421
D419,733	S	*	1/2000	Medema	D32/32

D538,986	S	*	3/2007	Ingram	D32/32
D590,111	S	*	4/2009	Wiljanen et al.	D32/32
D590,112	S	*	4/2009	Sun	D32/32
D621,112	S	*	8/2010	Benacquisto	D32/33
D621,566	S	*	8/2010	Crawley et al.	D32/33
D629,981	S	*	12/2010	Roschi	D32/32
D659,923	S	*	5/2012	Dyson	D32/33
D660,526	S	*	5/2012	Erlich et al.	D32/18
D663,909	S	*	7/2012	Andreesen	D32/17
2012/0204377	A1	*	8/2012	White et al.	15/322

* cited by examiner

Primary Examiner — Ruth McInroy

(74) *Attorney, Agent, or Firm* — Thompson Coburn LLP

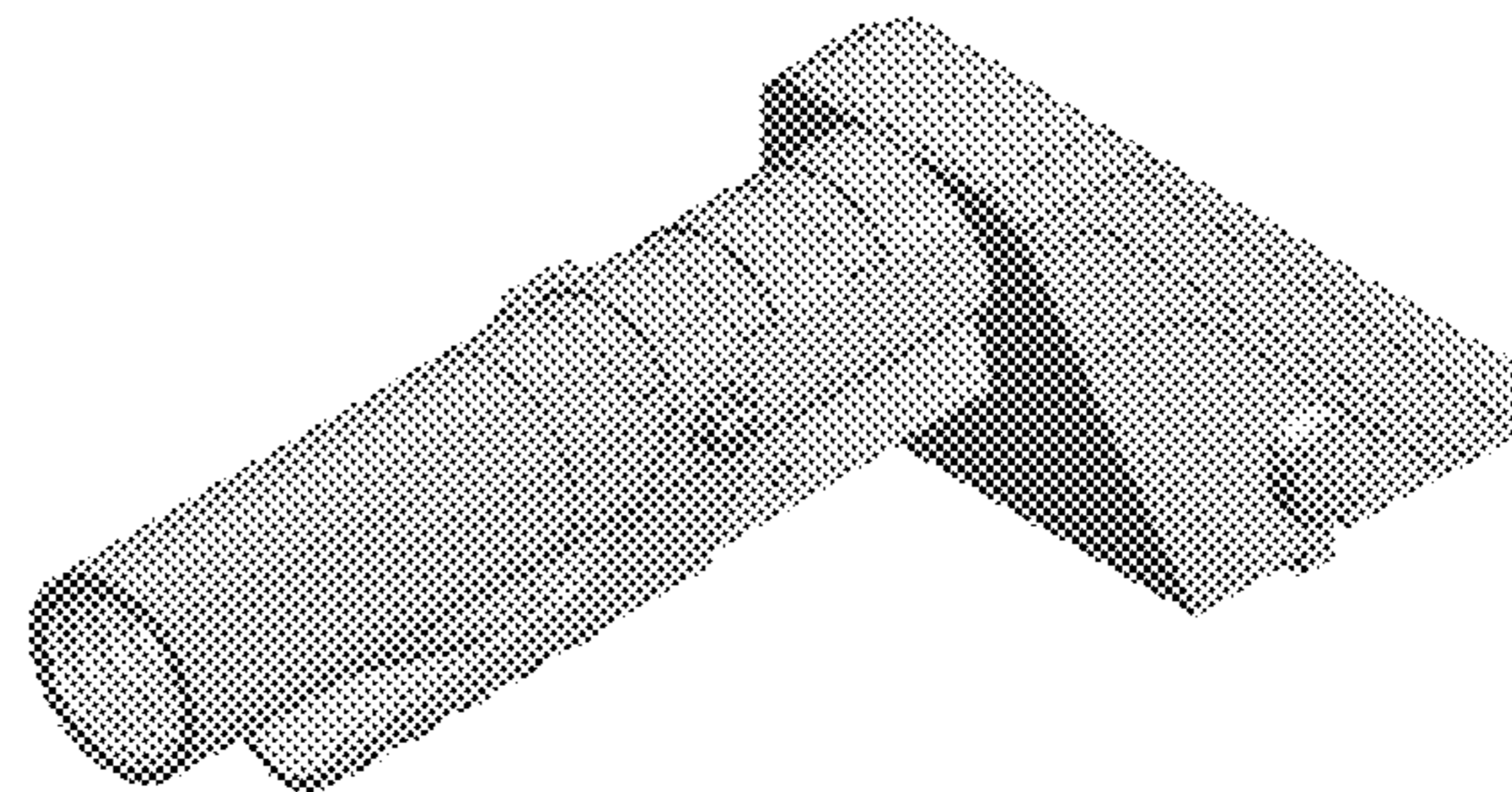
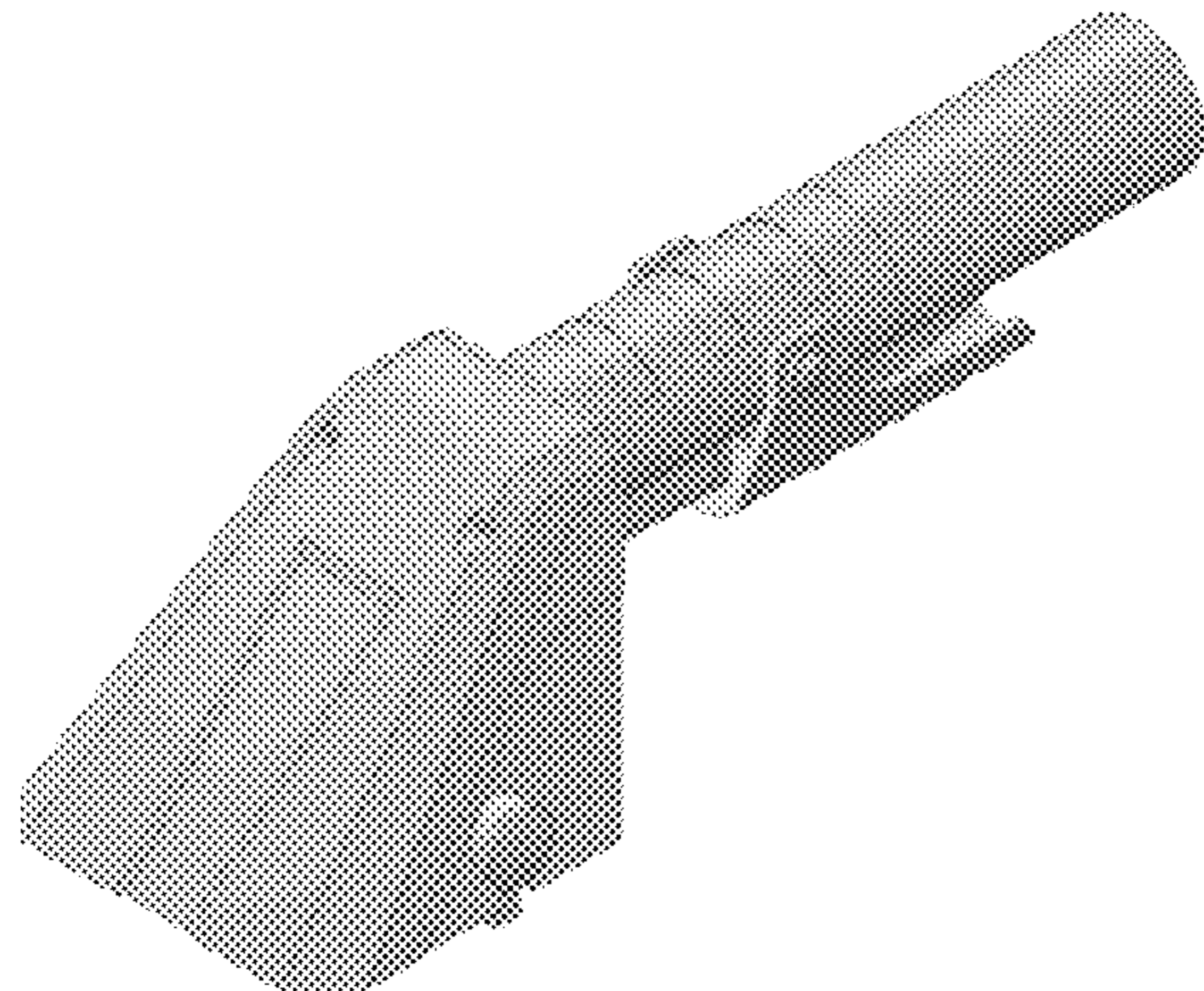
(57) **CLAIM**

The ornamental design for a handheld vacuum tool attachment, as shown and described.

DESCRIPTION

FIG. 1 is a front view of a handheld vacuum tool attachment showing our new design;
FIG. 2 is a rear view thereof;
FIG. 3 is a top view thereof;
FIG. 4 is a bottom view thereof;
FIG. 5 is a left side view thereof, the right side being a mirror image;
FIG. 6 is a top, front and right side perspective view thereof;
FIG. 7 is a top, rear and left side perspective view thereof;
FIG. 8 is a bottom, front and right side perspective view thereof; and,
FIG. 9 is a bottom, left and rear perspective view thereof.

1 Claim, 8 Drawing Sheets



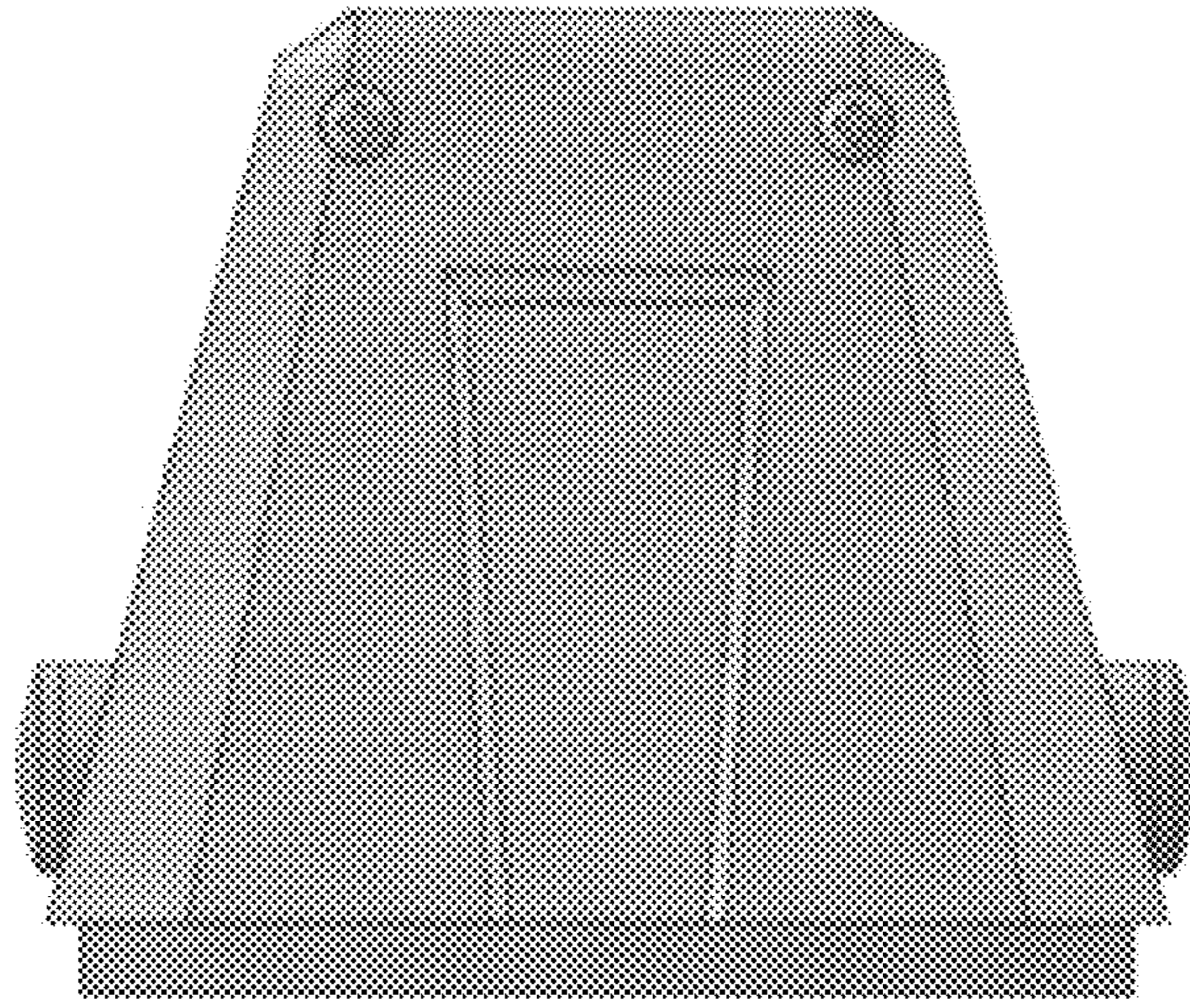


FIG. 1

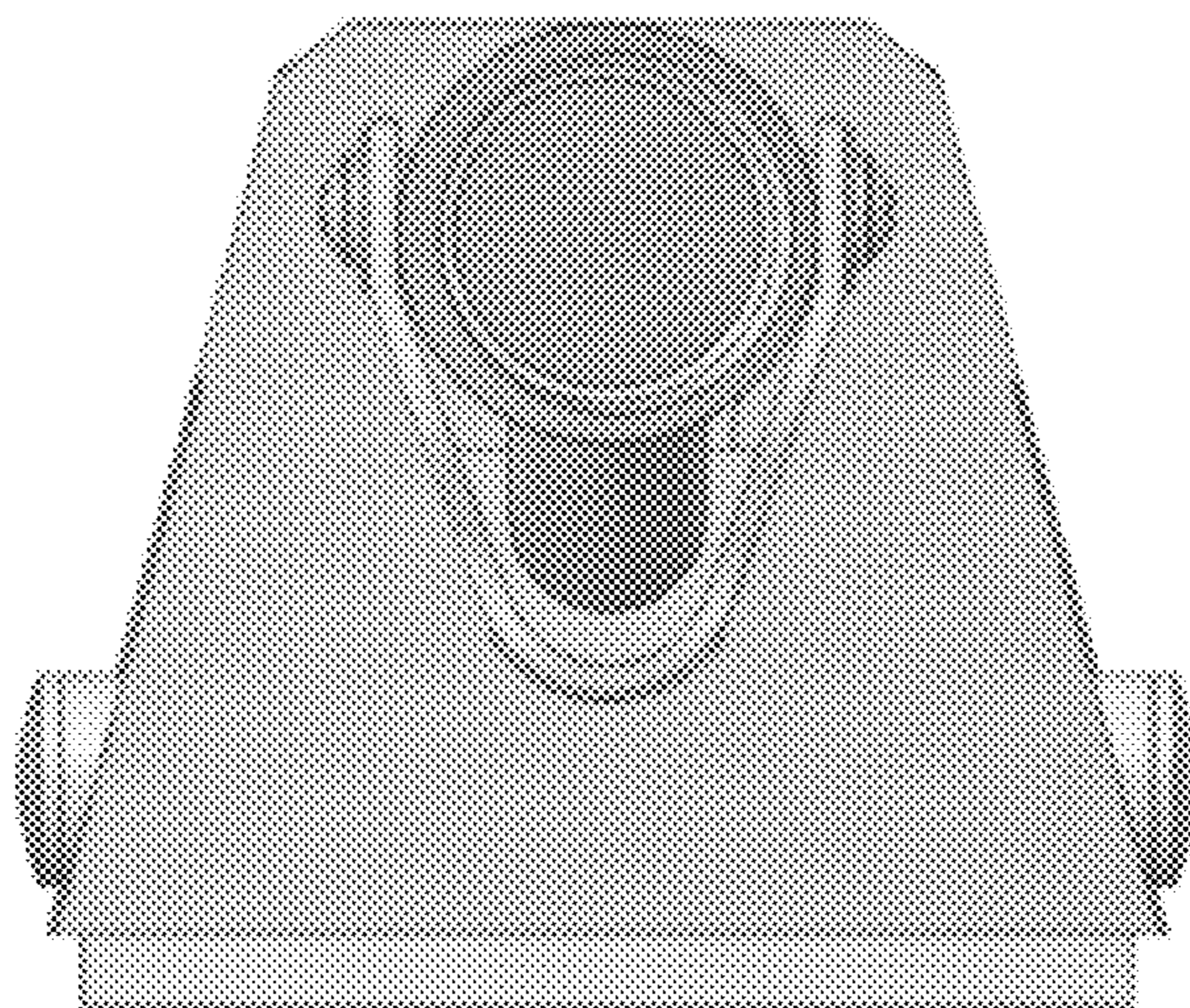


FIG. 2

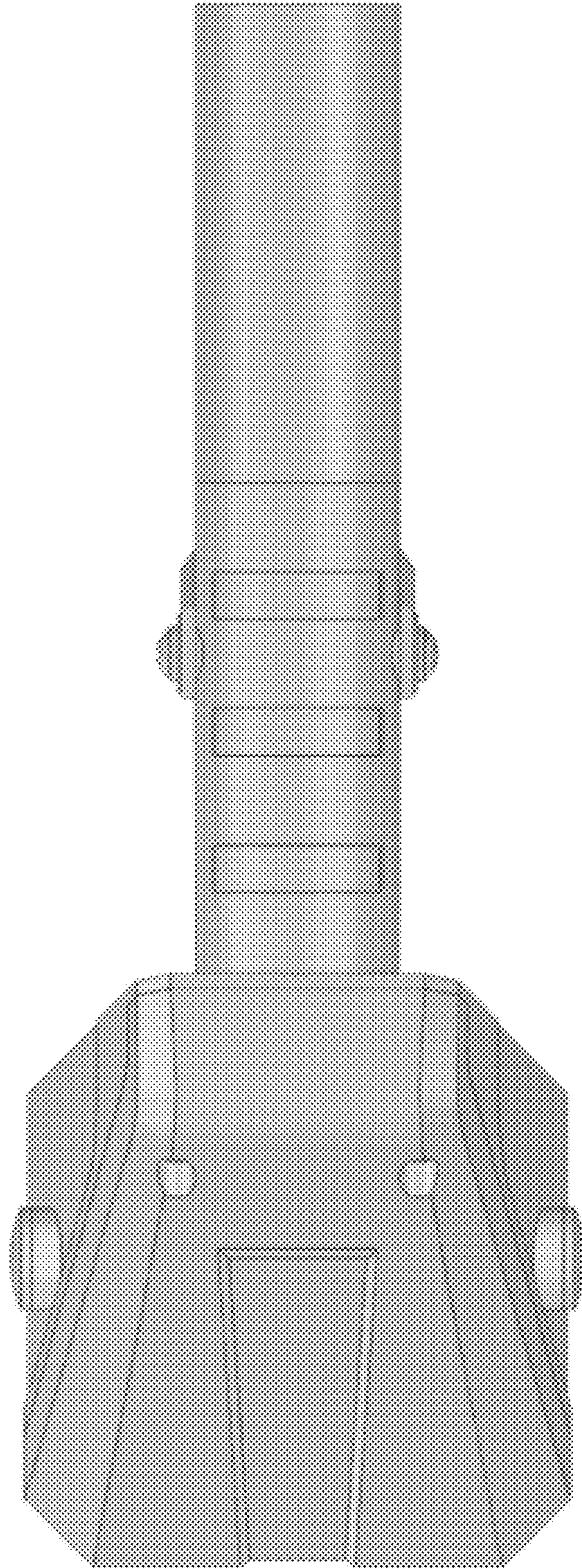


FIG. 3

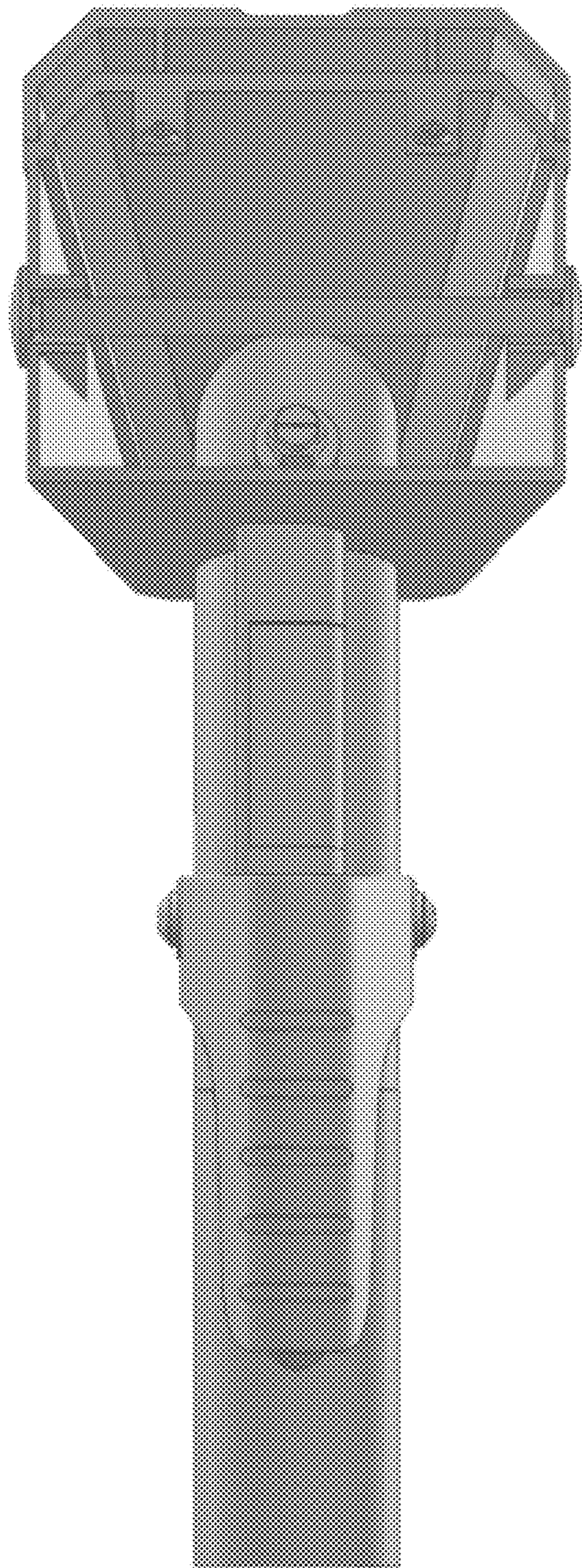


FIG. 4

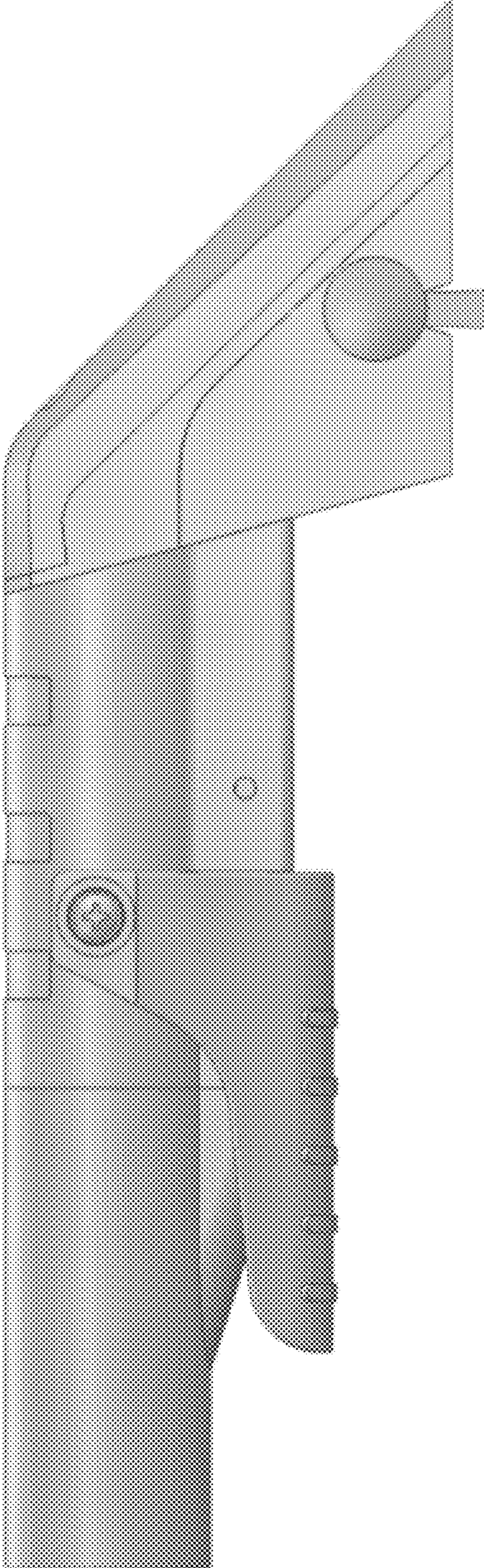


FIG. 5

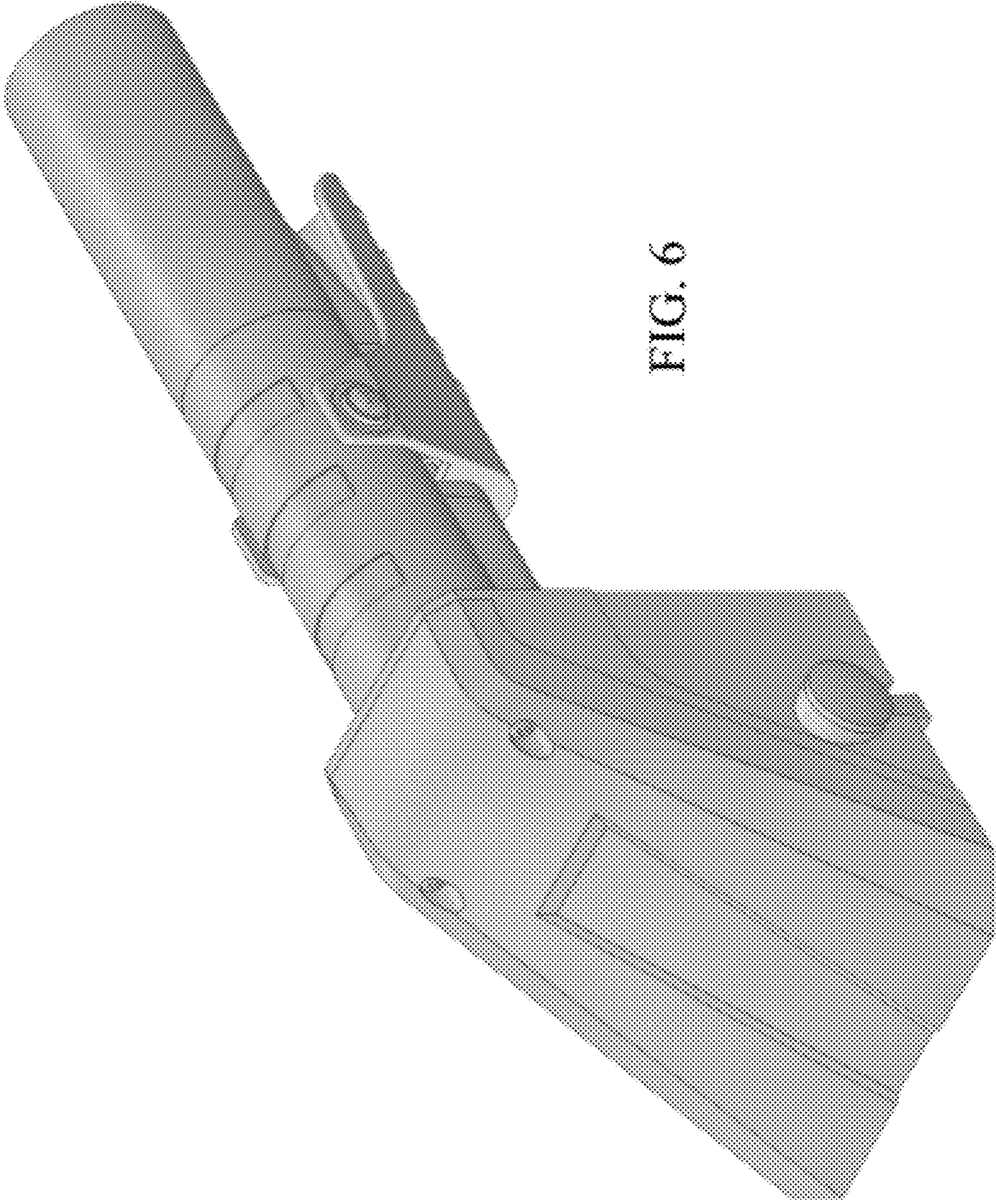


FIG. 6

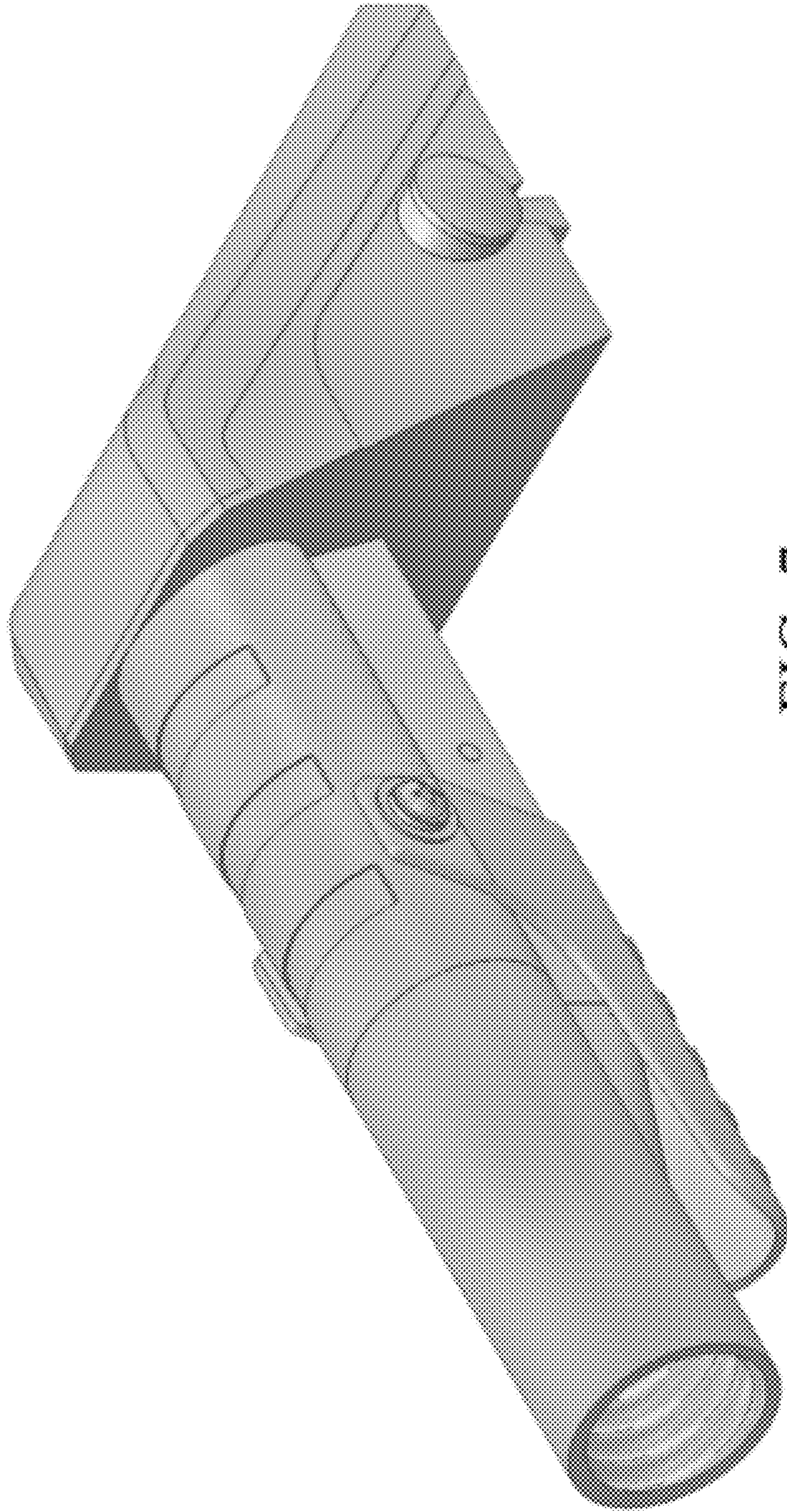


FIG. 7

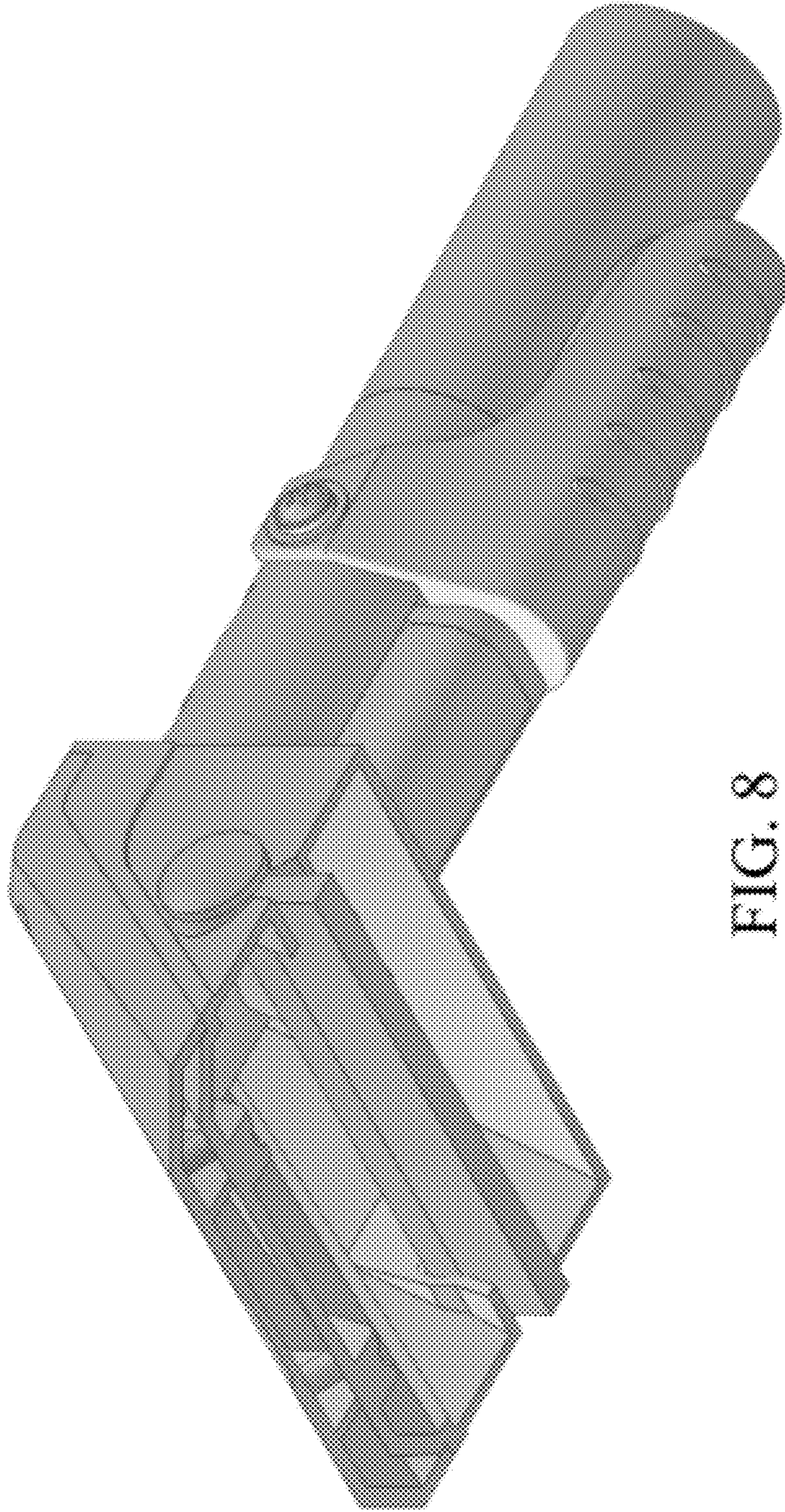


FIG. 8

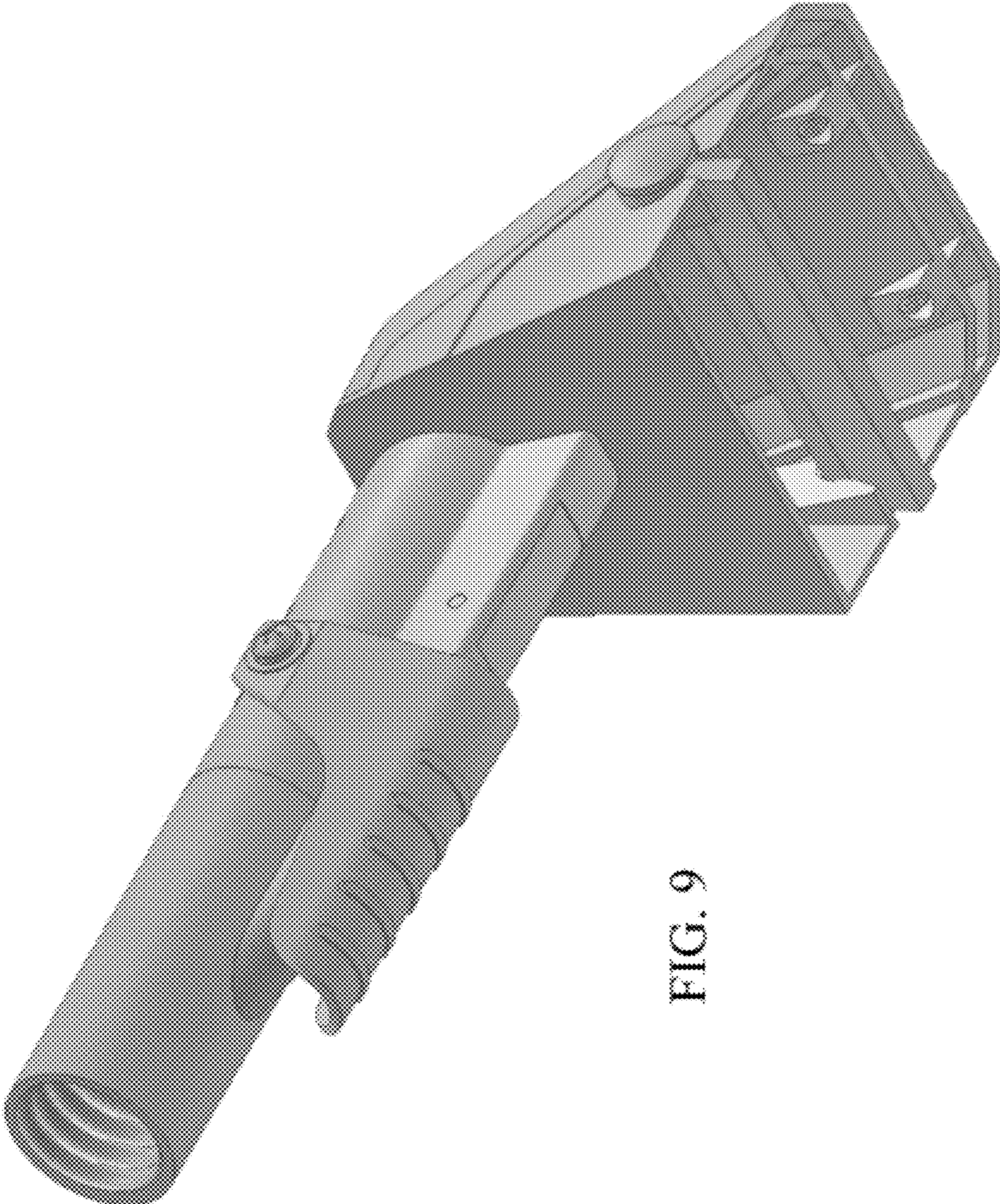


FIG. 9