

US00D674976S

(12) **United States Design Patent**  
**Gill**

(10) **Patent No.:** **US D674,976 S**

(45) **Date of Patent:** **\*\* Jan. 22, 2013**

(54) **MATERIAL CONTROL SYSTEM WITH ROTATING SPRAY BARS**

(76) Inventor: **Brent Gill**, Hillsboro, OR (US)

(\*\*) Term: **14 Years**

(21) Appl. No.: **29/392,455**

(22) Filed: **May 20, 2011**

(51) **LOC (9) Cl.** ..... **15-05**

(52) **U.S. Cl.** ..... **D32/1**

(58) **Field of Classification Search** ..... D32/1,  
D32/15, 25; D23/213-214, 304; 134/21.1,  
134/22.18, 24, 34, 166 R, 167 R, 168 R,  
134/172, 176, 179-181; 15/301; 165/95;  
210/520, 695

See application file for complete search history.

(56) **References Cited**

U.S. PATENT DOCUMENTS

724,350 A	3/1903	Stauff	
1,350,605 A	8/1920	Greenawalt	
1,583,141 A	5/1926	Greenawalt	
1,639,373 A	8/1927	Glover	
RE21,652 E	12/1940	Thayer	
2,364,298 A	12/1944	Kamp	
2,389,329 A	11/1945	Streander	
2,404,286 A	7/1946	Graham	
2,457,191 A	12/1948	Wigton	
2,489,678 A	11/1949	Sharples	
3,278,166 A	10/1966	Miles	
D244,532 S *	5/1977	Poston	D32/15
4,022,696 A *	5/1977	Krofta	210/520
4,030,513 A	6/1977	McKenzie	
D274,352 S	6/1984	Haug	
4,538,765 A	9/1985	Mayr et al.	
4,545,892 A	10/1985	Cymbalisty et al.	
D282,200 S *	1/1986	Haug	D23/213
4,743,382 A	5/1988	Williamson et al.	
4,876,010 A	10/1989	Riddle	
D310,860 S *	9/1990	Delepine	D23/213
D311,053 S *	10/1990	Delepine	D23/213
D311,054 S	10/1990	Delepine	

5,089,136 A	2/1992	Cyr	
5,116,492 A	5/1992	Zlobin et al.	
5,518,553 A *	5/1996	Moulder	134/22.18
5,814,210 A	9/1998	Yoon et al.	
D401,680 S *	11/1998	Tiernan	D23/304
5,830,356 A	11/1998	Kauppila	
5,911,255 A	6/1999	Bond	
5,913,320 A *	6/1999	Varrin et al.	134/22.18
D442,749 S	5/2001	Jones et al.	
6,568,413 B1 *	5/2003	Hurskainen	134/167 R
6,651,681 B1 *	11/2003	Hurskainen	134/167 R
6,874,616 B2	4/2005	DeVries et al.	
D544,656 S	6/2007	Bloch	
7,718,013 B2 *	5/2010	Jonsson	134/167 R
7,967,918 B2 *	6/2011	Collin et al.	134/167 R

(Continued)

FOREIGN PATENT DOCUMENTS

WO WO/2004/028975 8/2004

*Primary Examiner* — T. Chase Nelson

*Assistant Examiner* — Kathleen M Sims

(74) *Attorney, Agent, or Firm* — Law Office of Karen Dana Oster

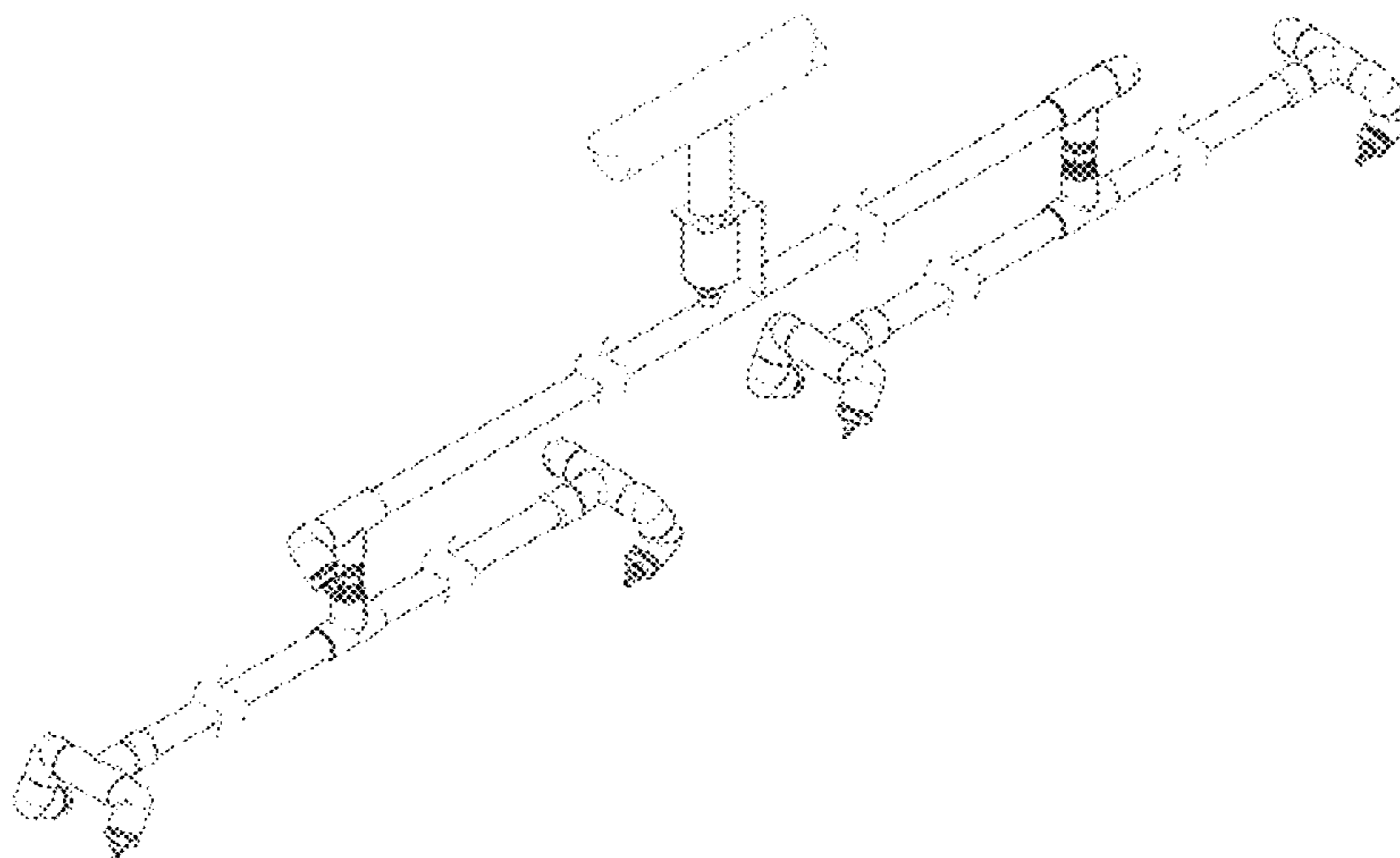
(57) **CLAIM**

I claim the ornamental design for a material control system with rotating spray bars, as shown and described.

**DESCRIPTION**

FIG. 1 is a perspective view of a material control system with rotating spray bars showing my new design.  
FIG. 2 is a front plan view thereof;  
FIG. 3 is a back plan view thereof;  
FIG. 4 is a bottom plan view thereof;  
FIG. 5 is a top plan view thereof;  
FIG. 6 is a first side view thereof; and,  
FIG. 7 is a second side view thereof.  
The broken lines in the drawings are included for the purpose of illustrating portions of the material control system with rotating spray bars that form no part of the claimed design.

**1 Claim, 5 Drawing Sheets**



# US D674,976 S

Page 2

---

## U.S. PATENT DOCUMENTS

D655,782	S *	3/2012	Gill .....	D23/214	2006/0108203	A1	5/2006	Swinderman	
8,147,616	B2 *	4/2012	Wu et al. ....	134/22.18	2006/0201783	A1	9/2006	Baldasari	
2001/0040129	A1	11/2001	Deskings		2006/0247543	A1	11/2006	Cornish et al.	
2004/0093682	A1	5/2004	Litomisky et al.		2007/0033764	A1	2/2007	Lundin et al.	
2004/0112716	A1	6/2004	DeVries et al.		2007/0170041	A1	7/2007	Hall	
2004/0134757	A1	7/2004	DeVries et al.		2007/0267051	A1	11/2007	Gill	
2004/0222066	A1	11/2004	Hall		2008/0264607	A1 *	10/2008	Hebert .....	165/95
2005/0247543	A1	11/2005	DeVries et al.		2010/0116621	A1	5/2010	DeVries	
2006/0108202	A1	5/2006	Swinderman		2010/0218336	A1 *	9/2010	Kilhlstrom .....	15/301

\* cited by examiner

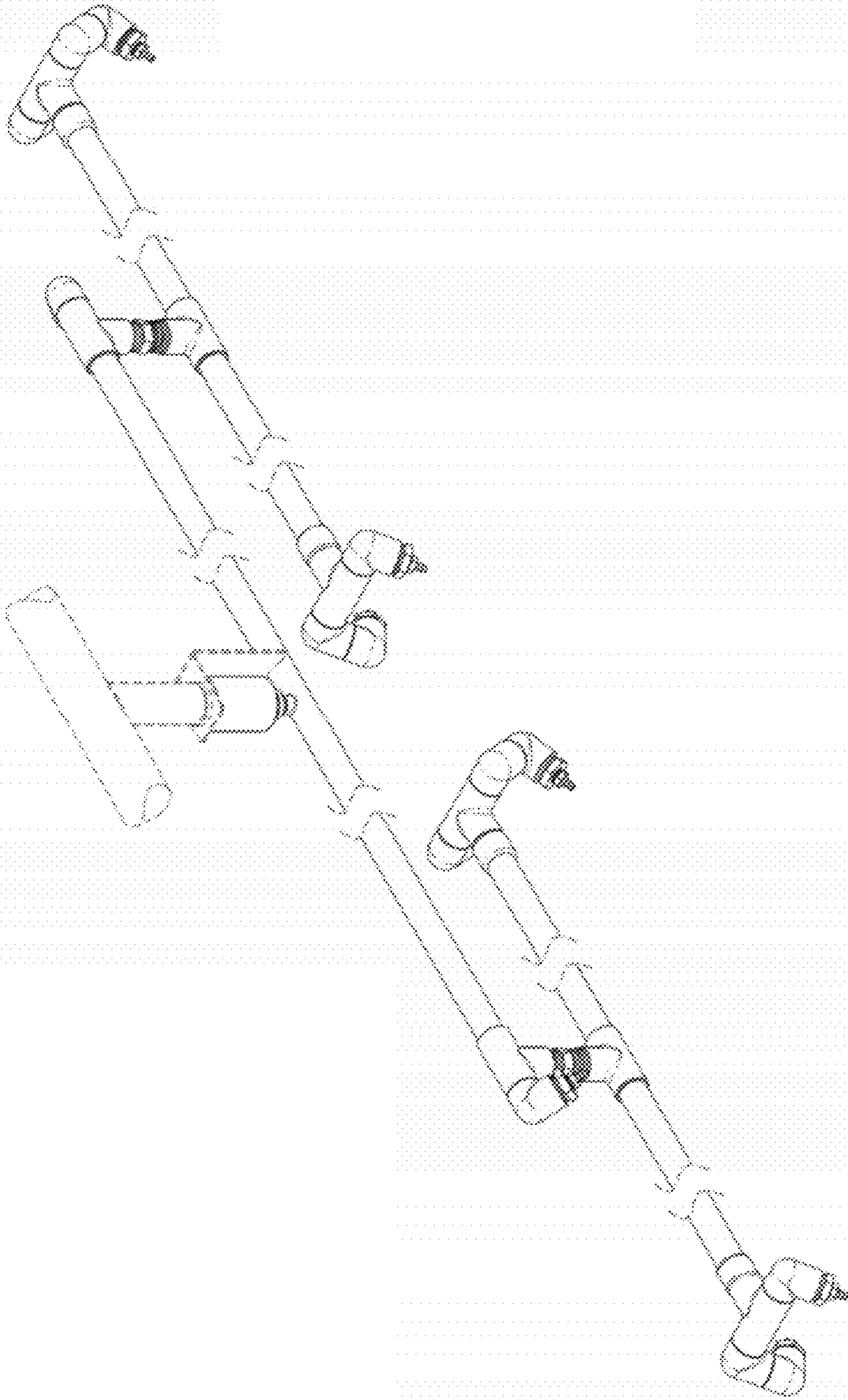


FIG. 1

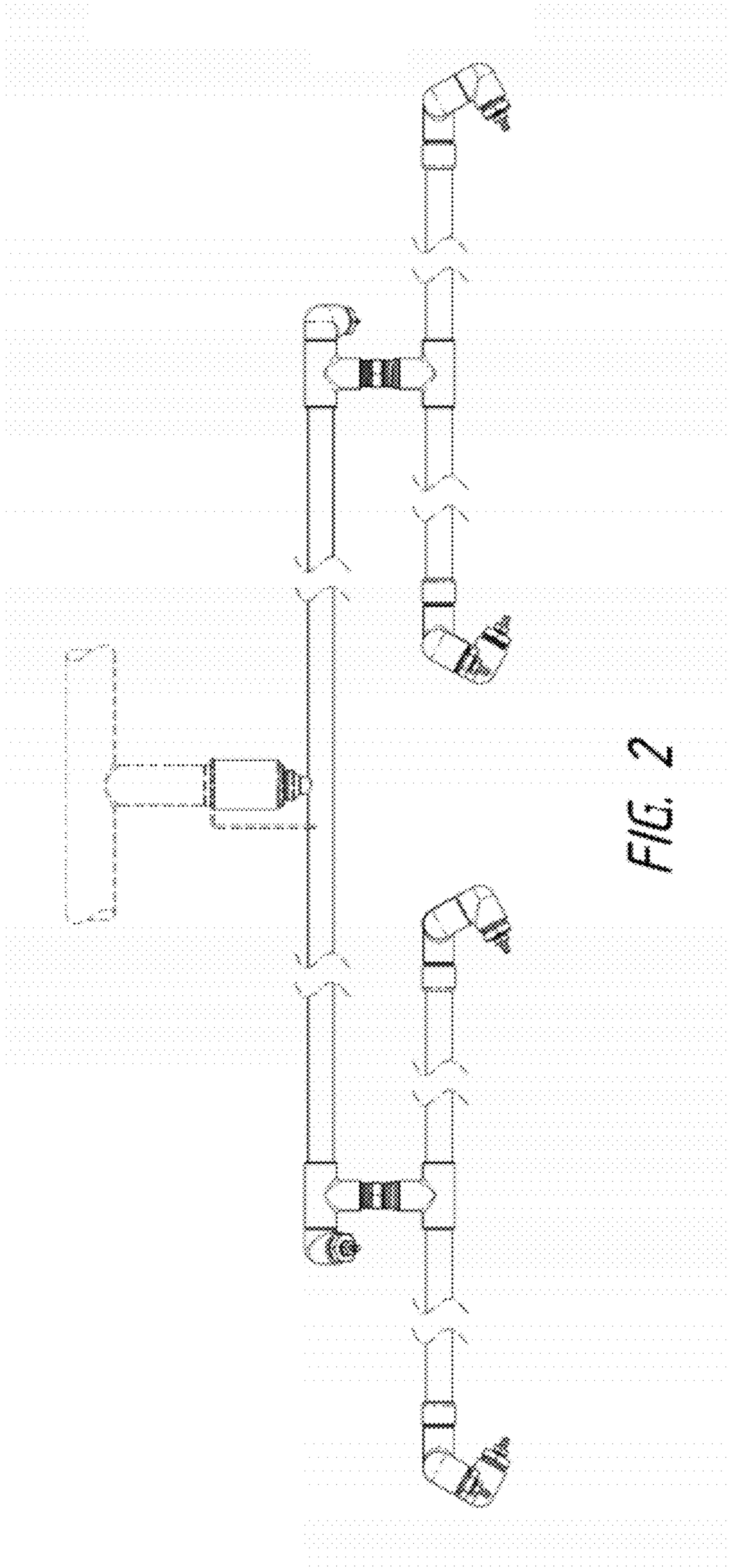


FIG. 2

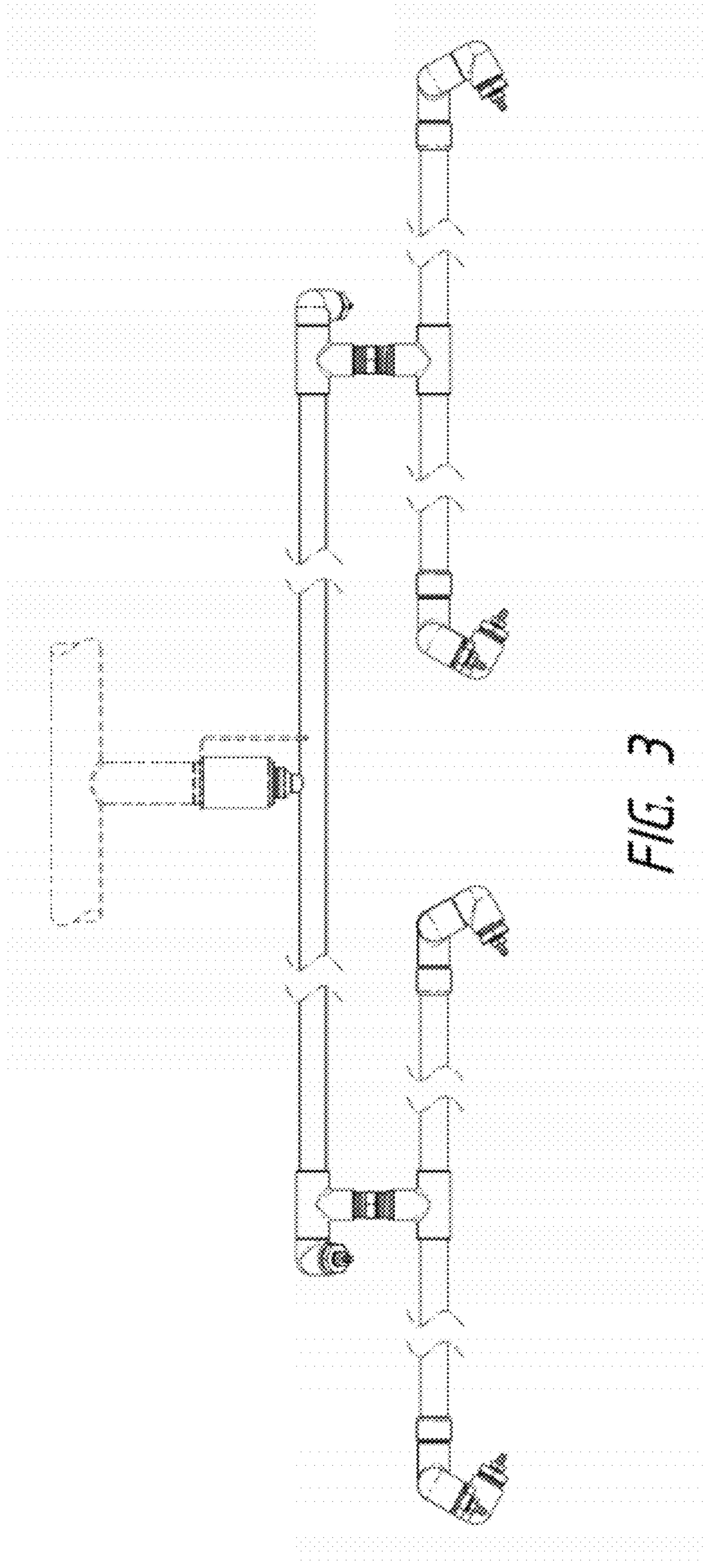


FIG. 3

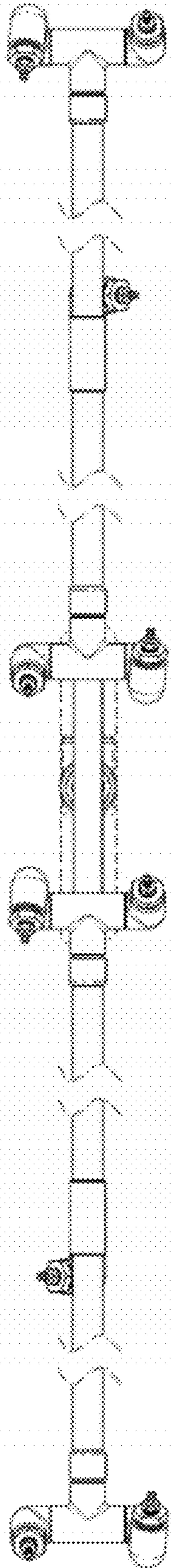


FIG. 4

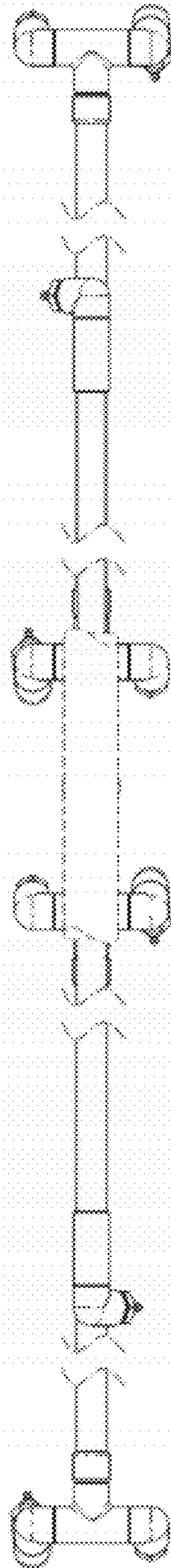


FIG. 5

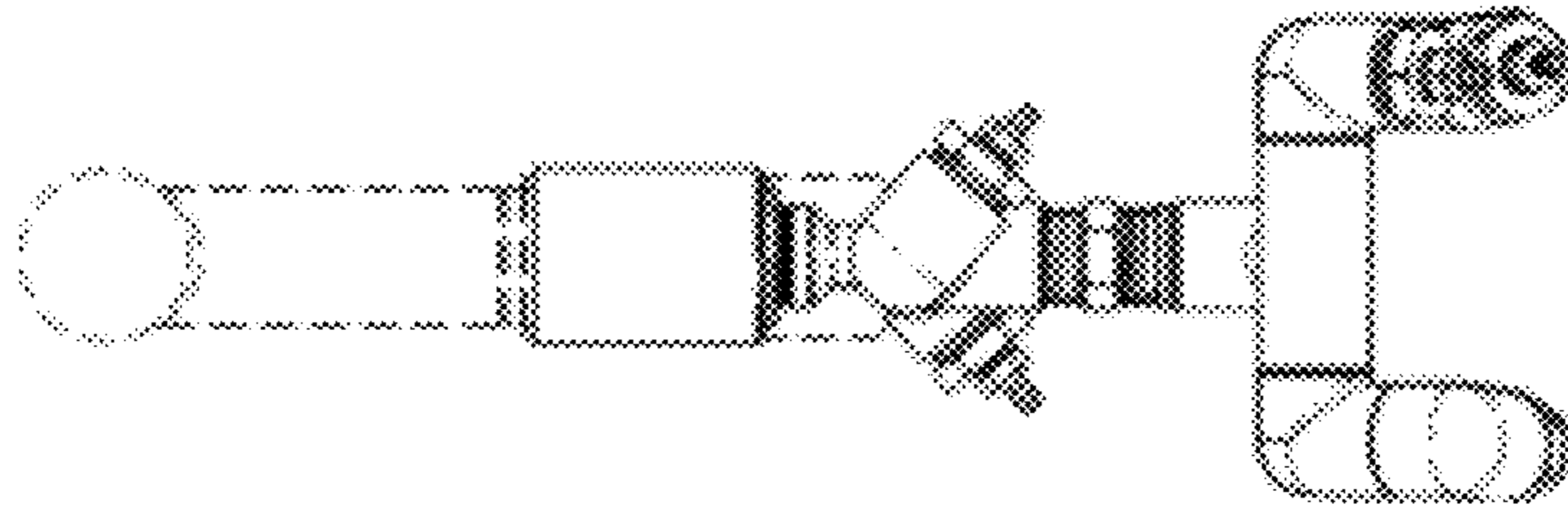


FIG. 6

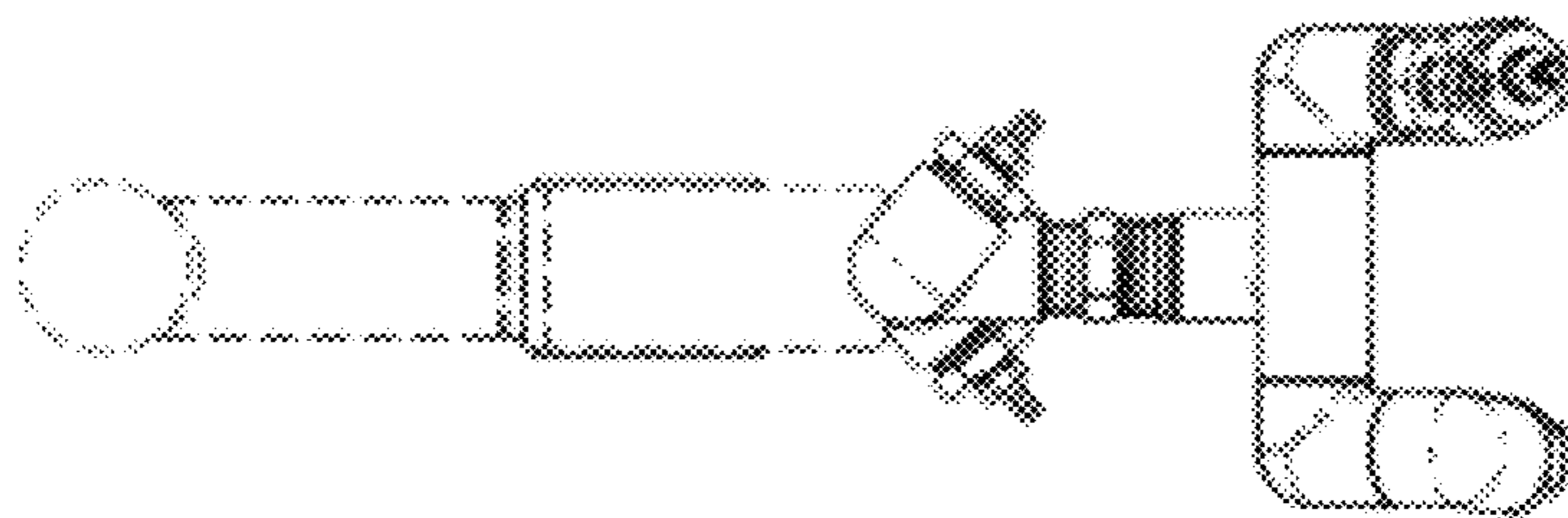


FIG. 7