



US00D674972S

(12) **United States Design Patent**
Dyson et al.

(10) **Patent No.:** **US D674,972 S**
(45) **Date of Patent:** **** Jan. 22, 2013**

- (54) **PART OF A VACUUM CLEANER**
- (75) Inventors: **James Dyson**, Malmesbury (GB); **Giles Ashbee**, Malmesbury (GB)
- (73) Assignee: **Dyson Limited**, Malmesbury (GB)
- (**) Term: **14 Years**
- (21) Appl. No.: **29/366,732**
- (22) Filed: **Jul. 29, 2010**
- (30) **Foreign Application Priority Data**
Feb. 1, 2010 (GB) 4014353
- (51) **LOC (9) Cl.** **30-99**
- (52) **U.S. Cl.** **D30/158; D32/32**
- (58) **Field of Classification Search** D30/158, D30/159, 199; 15/104.002, 230.11, 104.94, 15/104.8, 23, 231, 169, 184, 114, DIG. 14, 15/186-188, 329, 337, 338, 415.1, 416-422, 15/422.1, 93.1, 246.2, 322, 350-354, 361-363, 15/366, 378, 400, 401, 414, 412, 344; 132/119-119.1, 212; 206/15.2-15.3, 361, 206/362.3, 470; 242/571.4; D28/25, 23, D28/30, 59, 21; D4/117, 116, 121-123, D4/102, 199, 137, 131; D32/31-33, 25
See application file for complete search history.

(56) **References Cited**

U.S. PATENT DOCUMENTS

3,384,919	A *	5/1968	Jording et al.	15/339
3,574,885	A *	4/1971	Jones	15/393
3,955,238	A *	5/1976	Remijas	15/402
3,965,527	A *	6/1976	George	15/396
5,088,199	A *	2/1992	Romani	30/133
D337,176	S *	7/1993	Romani	D28/54
D348,543	S *	7/1994	Melton	D28/54
D389,618	S *	1/1998	Rosen	D32/33
5,768,748	A *	6/1998	Silvera et al.	15/402

5,881,462	A *	3/1999	Romani	30/133
D419,733	S *	1/2000	Medema	D32/32
D424,260	S *	5/2000	Worwag	D32/32
D443,741	S *	6/2001	Parr et al.	D32/32
D453,246	S *	1/2002	Nimmo	D32/32
6,571,478	B1 *	6/2003	Romani et al.	30/133
D480,187	S *	9/2003	Jansson et al.	D32/32
6,681,775	B2 *	1/2004	Wang	132/119
D506,585	S *	6/2005	Muller et al.	D32/32
D507,682	S *	7/2005	Dunn et al.	D30/158
7,100,537	B1 *	9/2006	Suen et al.	119/612
7,159,274	B2 *	1/2007	Freidell	15/339
D565,263	S *	3/2008	Wishney	D32/32
D590,111	S *	4/2009	Wiljanen et al.	D32/32
D590,112	S *	4/2009	Sun	D32/32
D599,514	S *	9/2009	Knox et al.	D32/32
D603,570	S *	11/2009	Svantesson et al.	D32/32
D613,912	S *	4/2010	Benacquisto	D30/158
D616,165	S *	5/2010	McLeod et al.	D32/32
8,082,887	B2 *	12/2011	Fernandez	119/612
8,225,512	B2 *	7/2012	Coleman et al.	30/133
8,230,819	B2 *	7/2012	Freidell	119/601

(Continued)

Primary Examiner — Susan Moon Lee

(74) *Attorney, Agent, or Firm* — Morrison & Foerster LLP

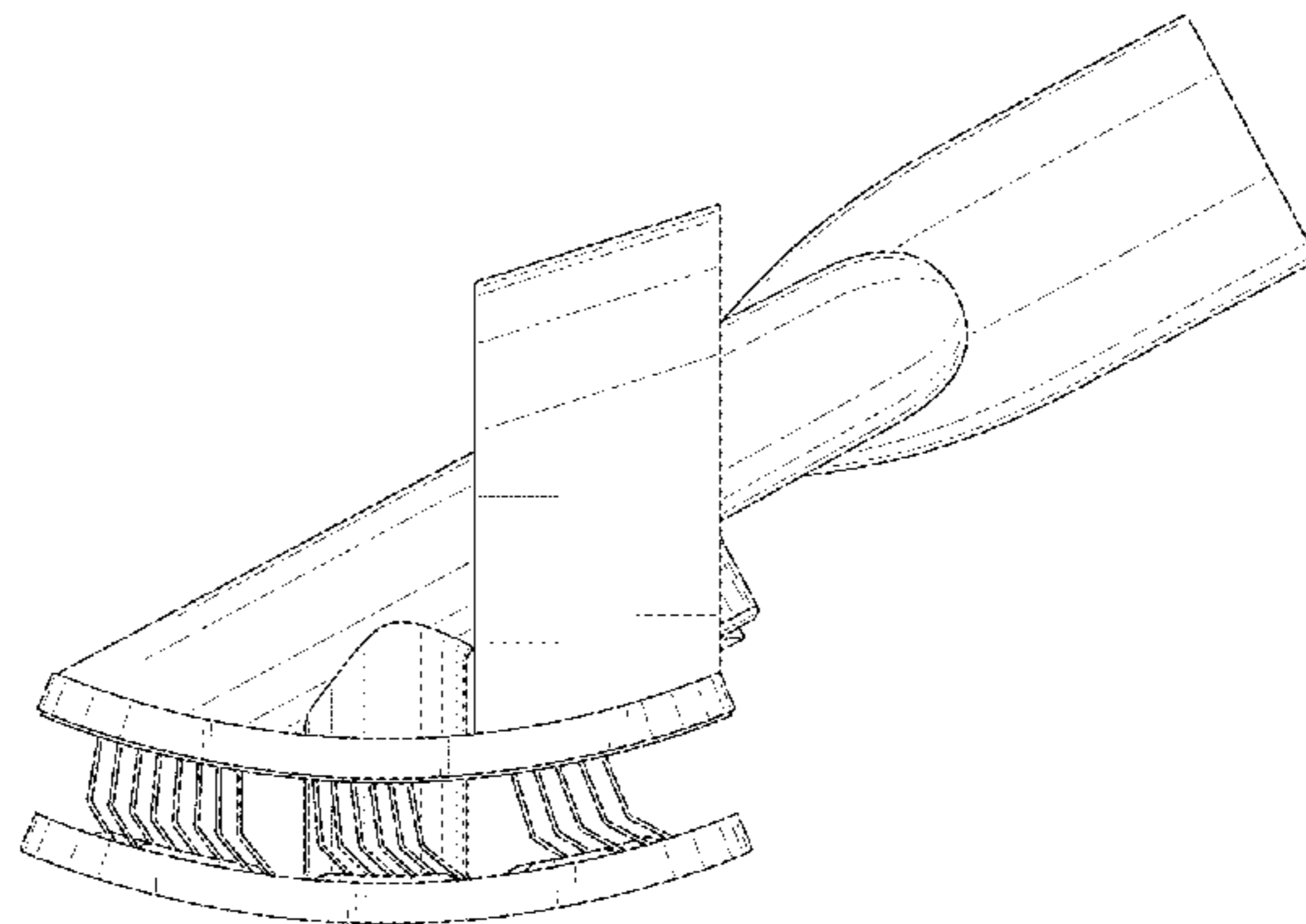
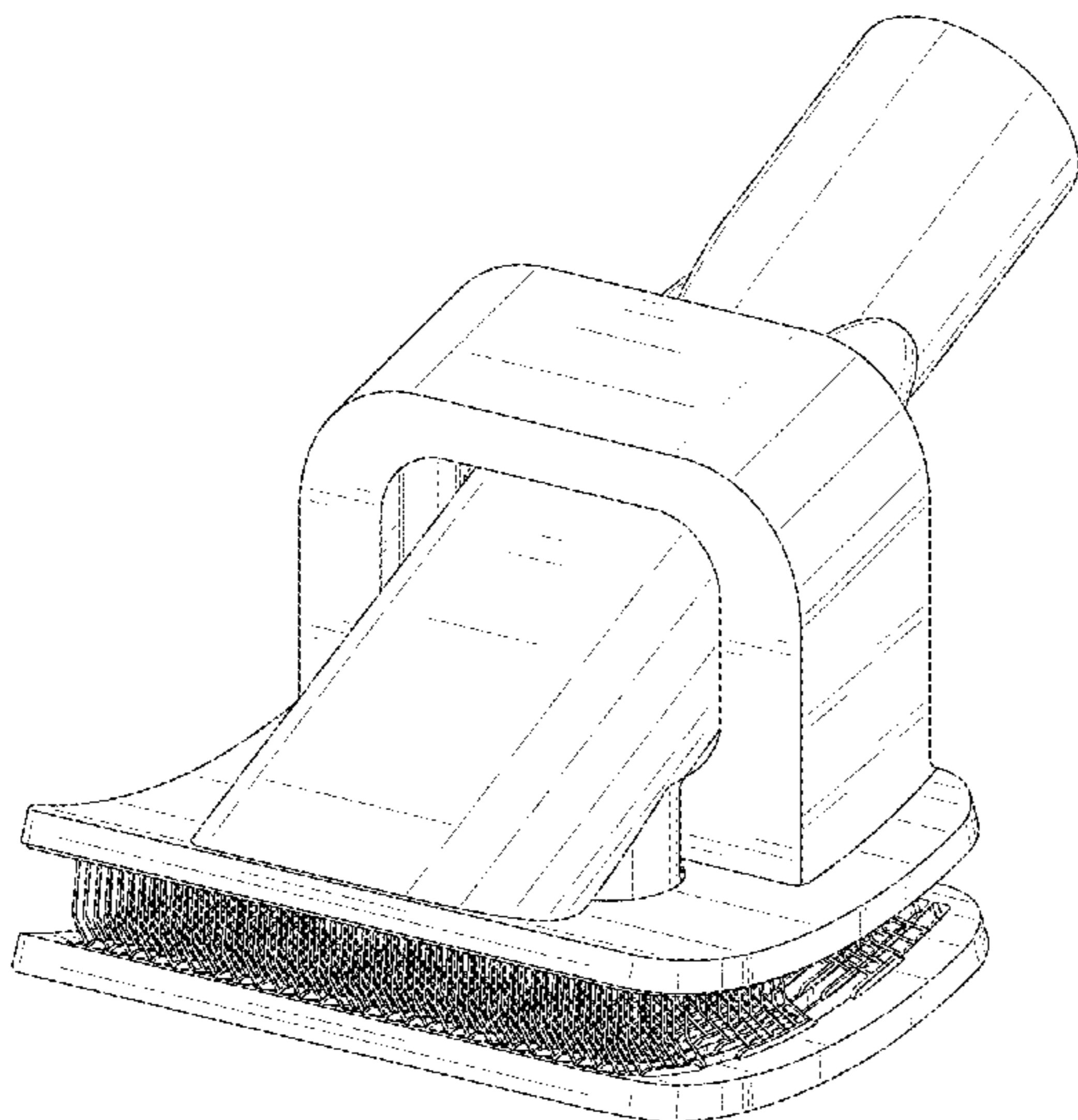
(57) **CLAIM**

We claim the ornamental design for a part of a vacuum cleaner, as shown and described.

DESCRIPTION

FIG. 1 is a perspective view of a part of a vacuum cleaner showing our new design;
 FIG. 2 is a front view thereof;
 FIG. 3 is a rear view thereof;
 FIG. 4 is a side view thereof;
 FIG. 5 is a side view of the opposite side of FIG. 4;
 FIG. 6 is a plan view thereof from above; and,
 FIG. 7 is a bottom view thereof.
 Broken lines and portions contained within broken line are not claimed.

1 Claim, 7 Drawing Sheets



US D674,972 S

Page 2

U.S. PATENT DOCUMENTS

2002/0096125	A1 *	7/2002	Fong	119/664	2009/0126649	A1 *	5/2009	Porter et al.	119/601
2002/0189049	A1 *	12/2002	Freidell	15/402	2010/0294207	A1 *	11/2010	Dyson et al.	119/611
2003/0101591	A1 *	6/2003	Romani et al.	30/133	2010/0294208	A1 *	11/2010	Dyson et al.	119/611
2003/0172947	A1 *	9/2003	Wang	132/119	2010/0294210	A1 *	11/2010	Dyson et al.	119/612
2004/0105715	A1 *	6/2004	Spelman et al.	401/6	2010/0307426	A1 *	12/2010	Bertsch	119/601
2006/0118137	A1 *	6/2006	Freidell	134/6	2011/0030620	A1 *	2/2011	Jouan	119/611

* cited by examiner

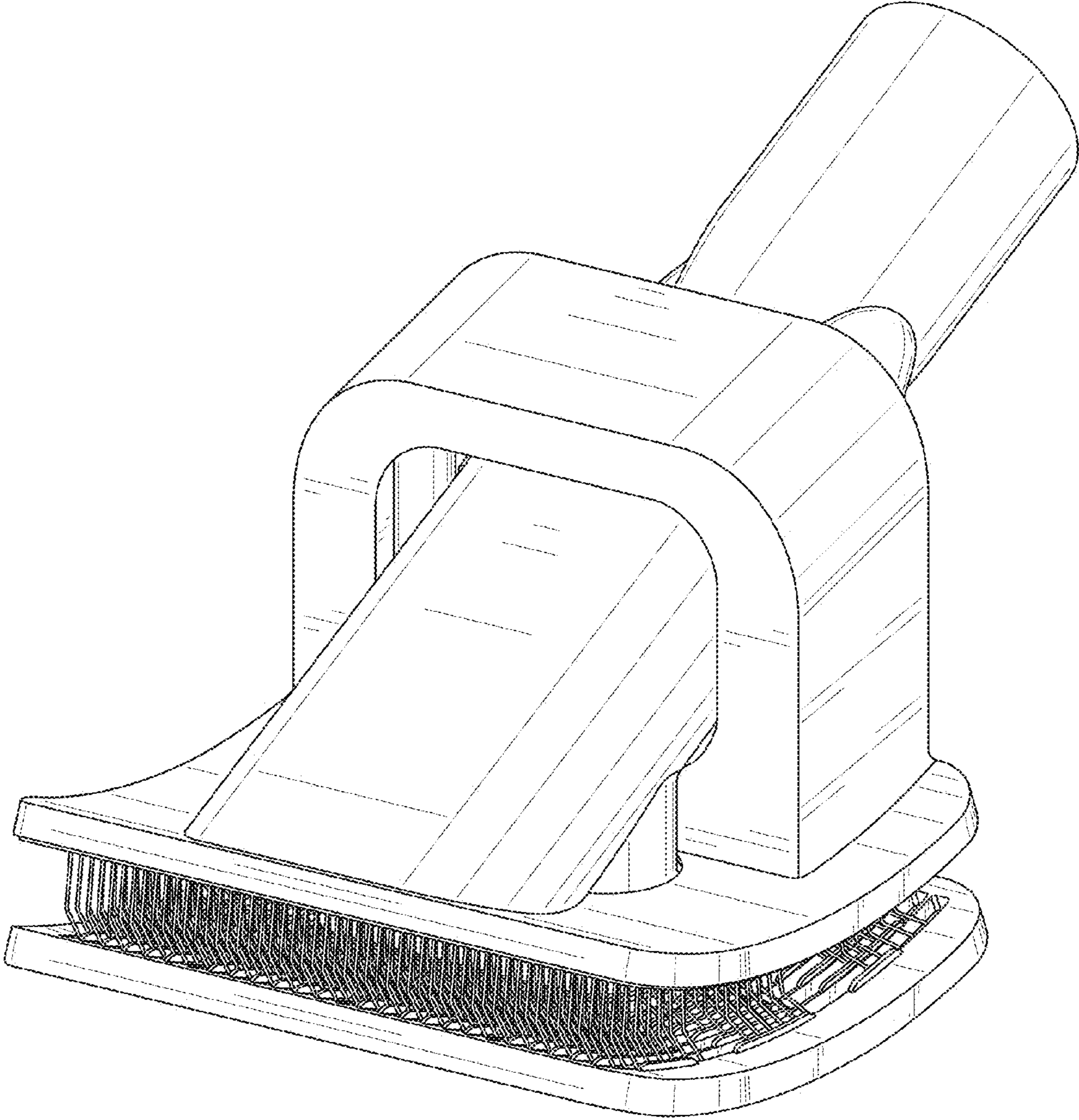


FIG. 1

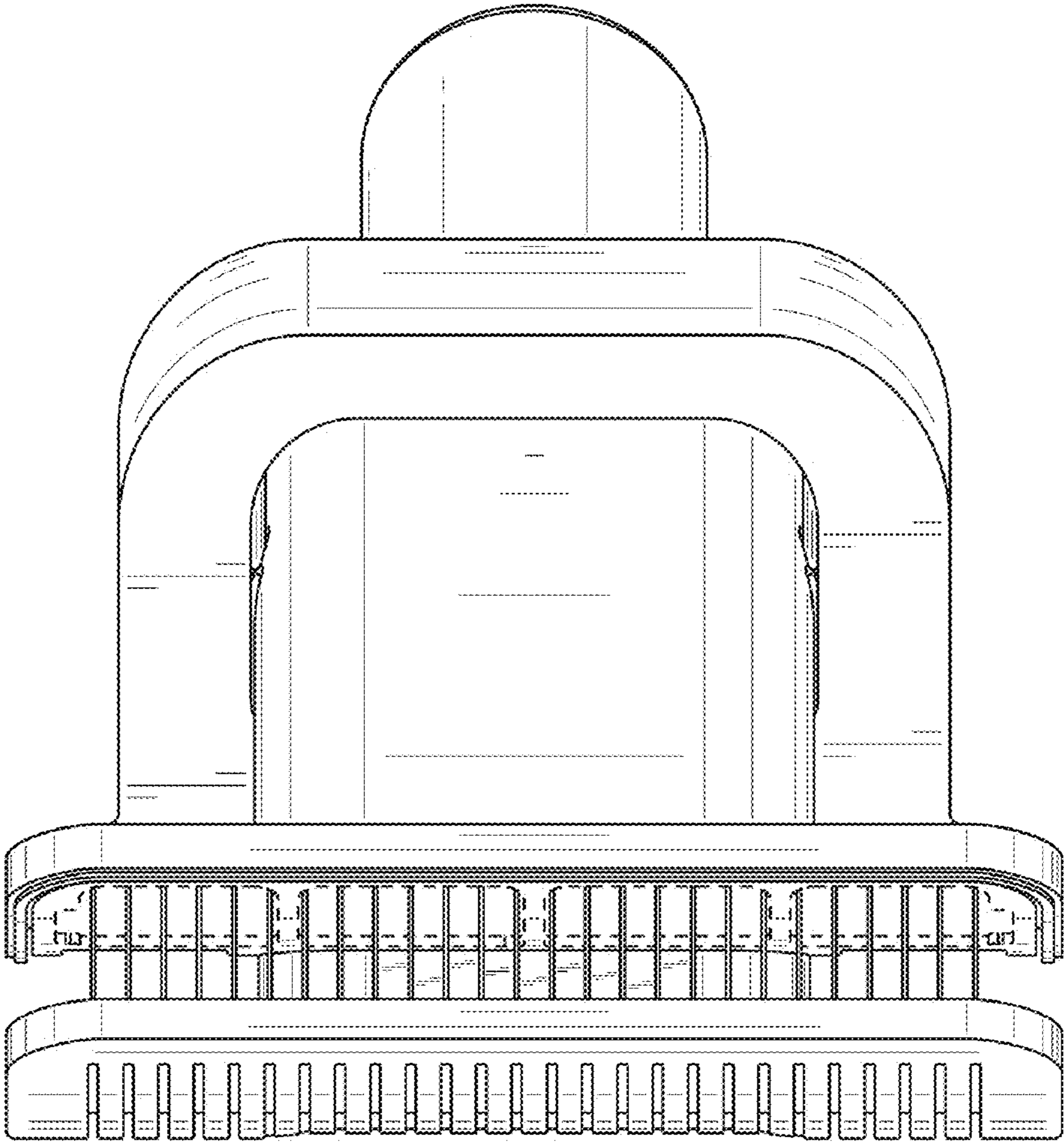


FIG. 2

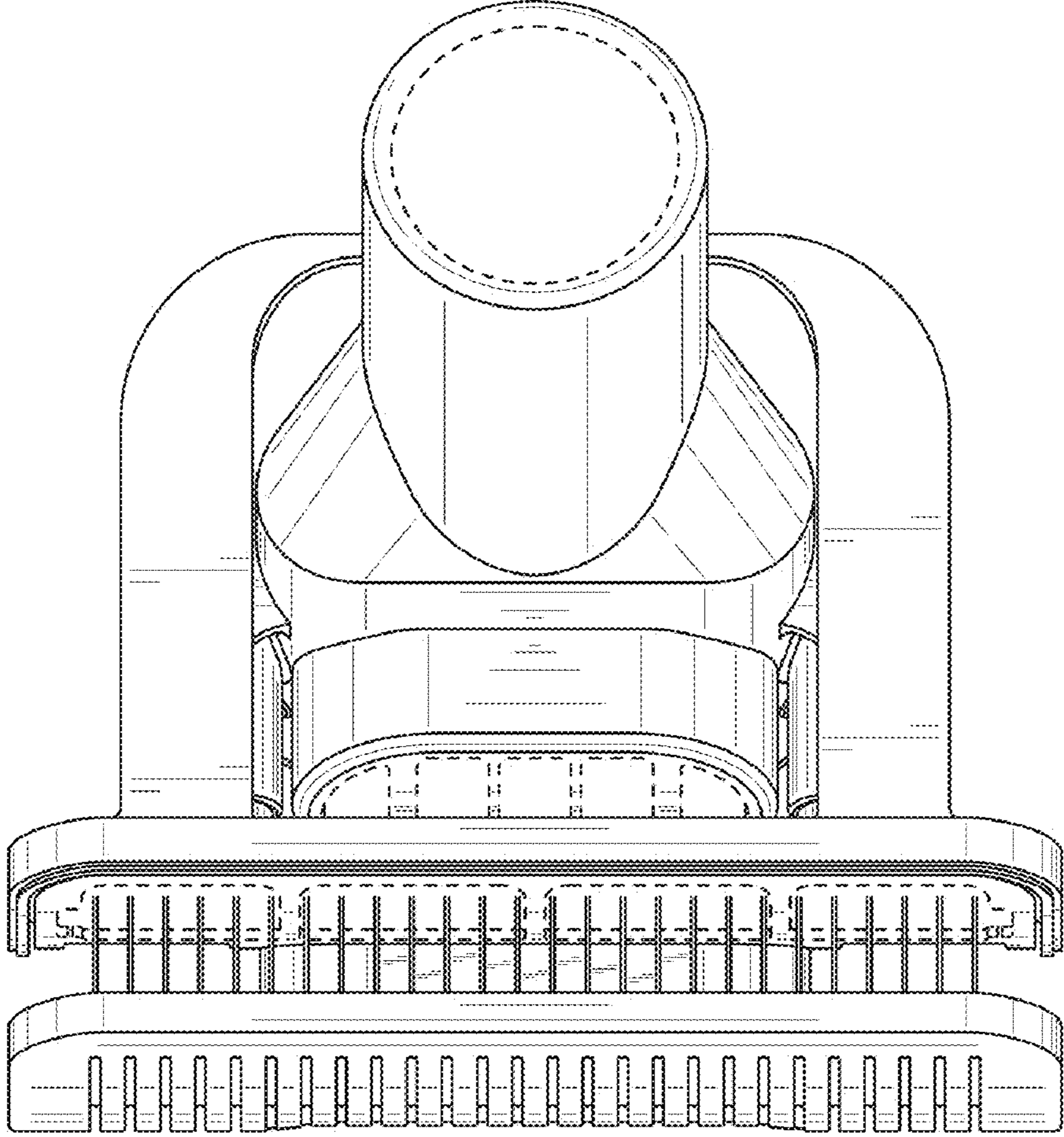


FIG. 3

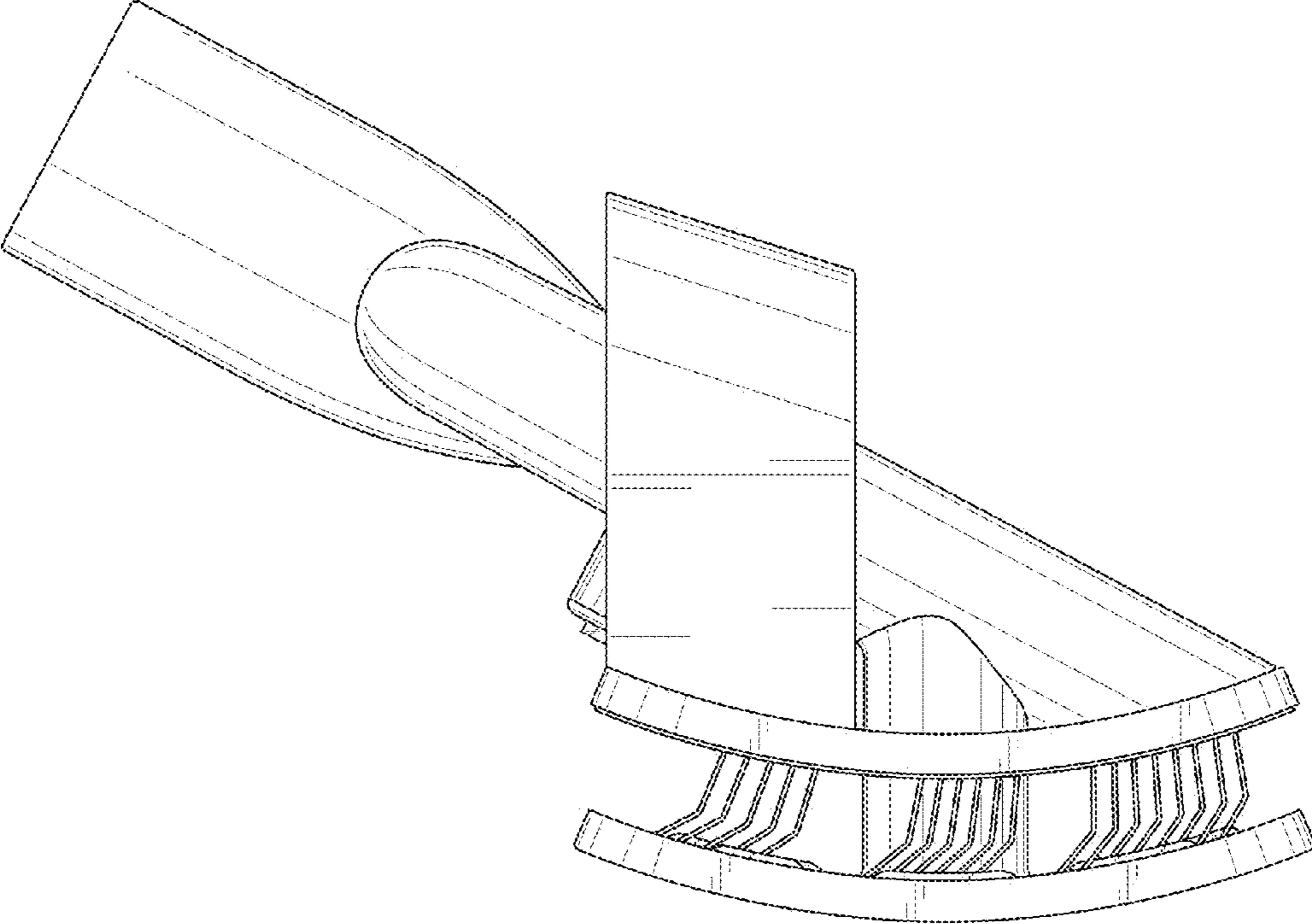


FIG. 4

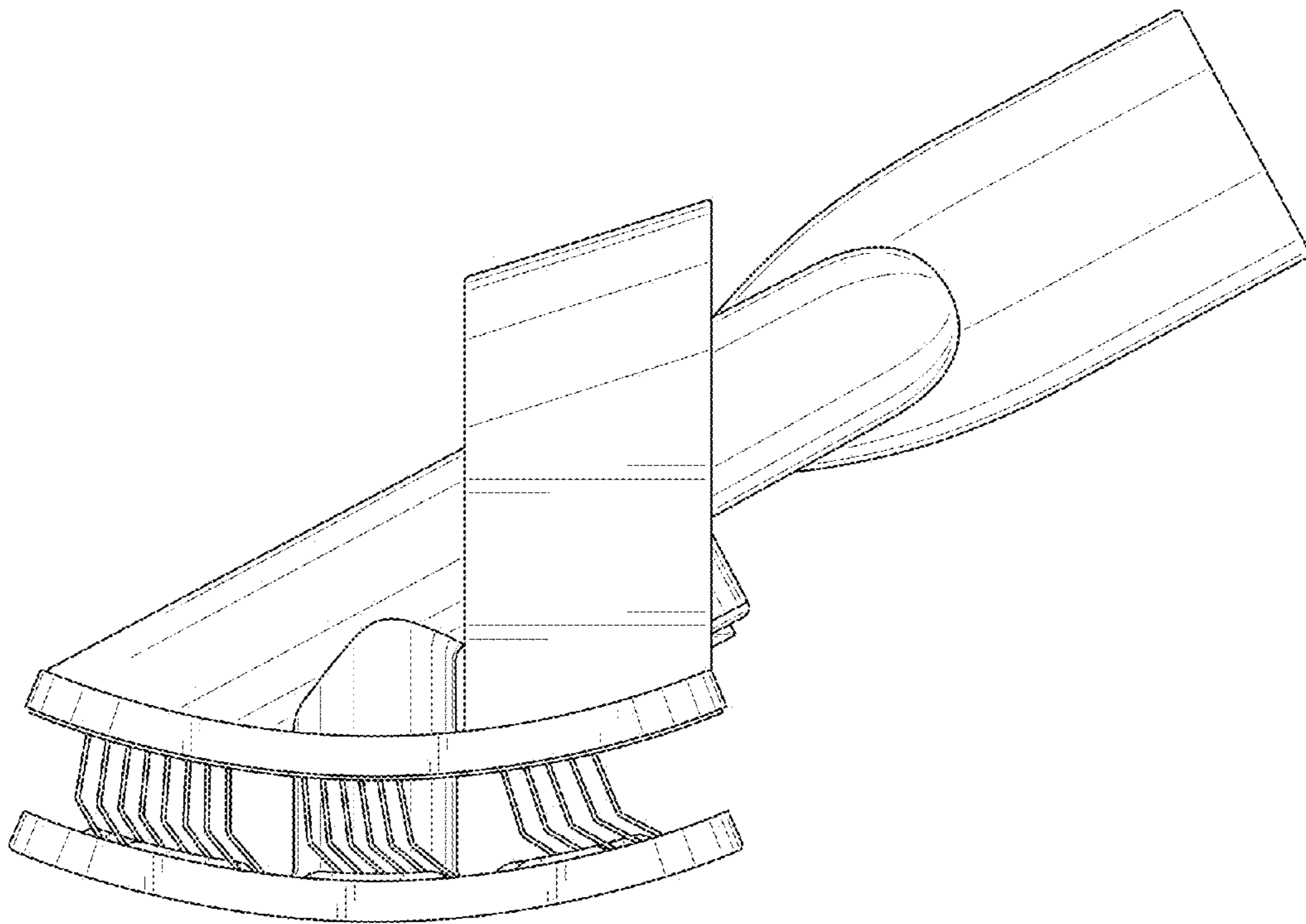


FIG. 5

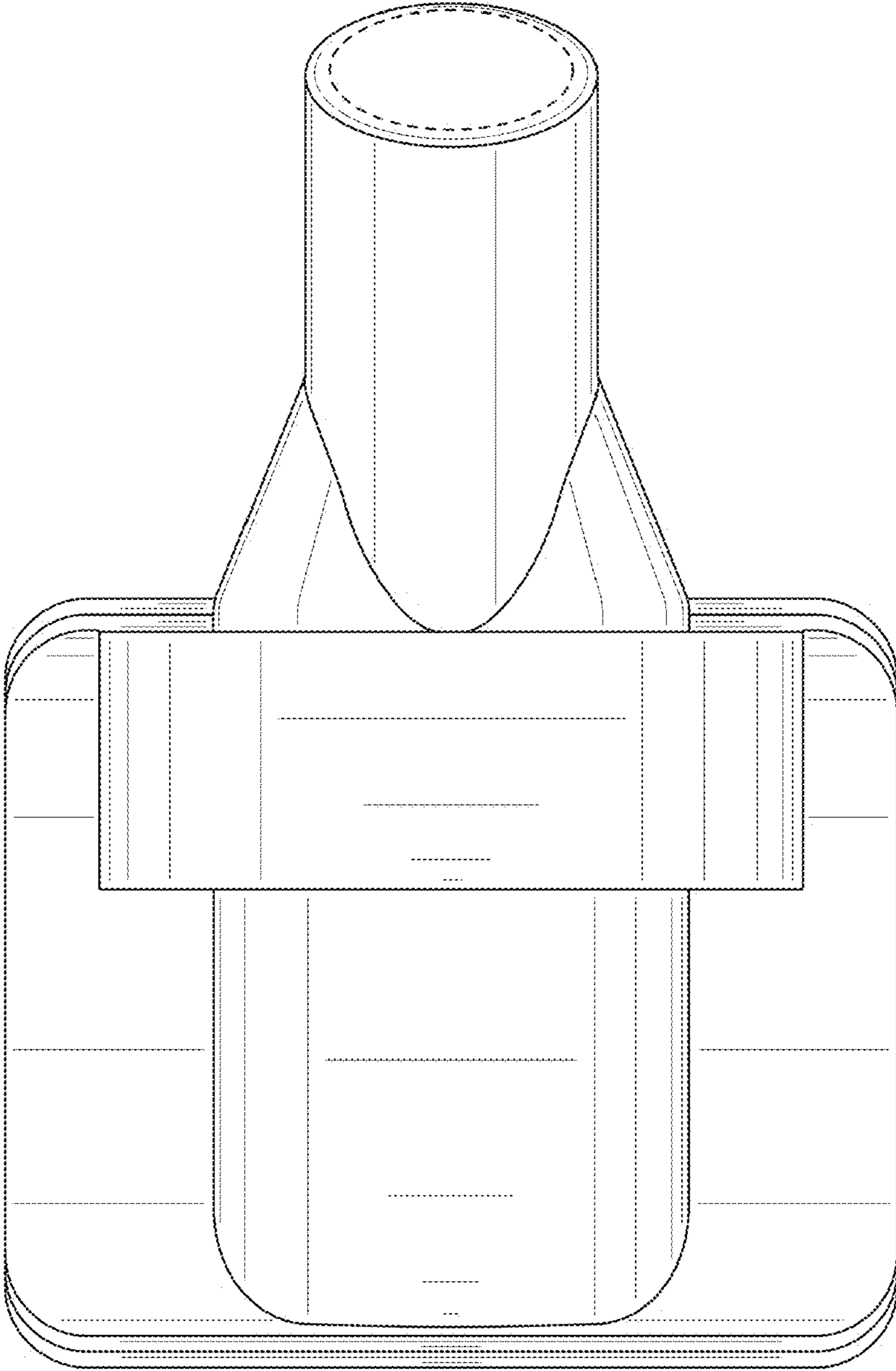


FIG. 6

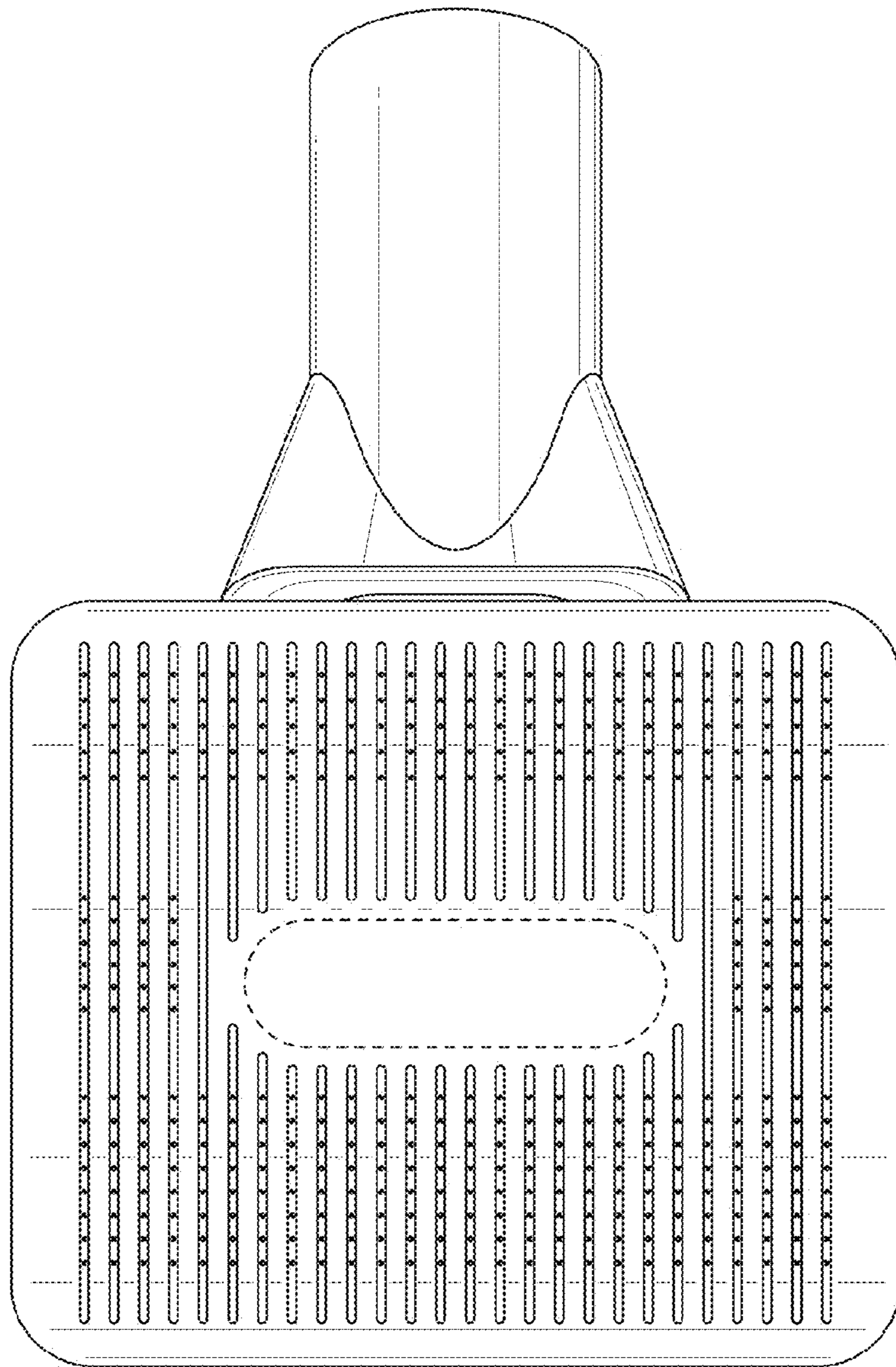


FIG. 7