



US00D674971S

(12) **United States Design Patent**
Stevenson

(10) **Patent No.:** **US D674,971 S**
(45) **Date of Patent:** **** Jan. 22, 2013**

(54) **AQUARIUM**

(75) **Inventor:** **Paul Stevenson**, North Walsham (GB)

(73) **Assignee:** **Reef One Limited**, Norwich, Norfolk (GB)

(**) **Term:** **14 Years**

(21) **Appl. No.:** **29/425,644**

(22) **Filed:** **Jun. 25, 2012**

Related U.S. Application Data

(62) Division of application No. 29/371,033, filed on Sep. 22, 2010, now Pat. No. Des. 662,673.

Foreign Application Priority Data

(30) Jun. 17, 2010 (EM) 001720913-0001
Jun. 17, 2010 (EM) 001720913-0002
Jun. 17, 2010 (EM) 001720913-0003
Jun. 17, 2010 (EM) 001720913-0004
Jun. 17, 2010 (EM) 001720913-0005

(51) **LOC (9) Cl.** **30-02**

(52) **U.S. Cl.** **D30/101**

(58) **Field of Classification Search** D30/101-107;
D11/145; D6/470-472; 40/406, 409; 119/245-247,
119/253-256, 268

See application file for complete search history.

(56) **References Cited**

U.S. PATENT DOCUMENTS

D259,292 S * 5/1981 Conrad D30/101
D449,717 S * 10/2001 Fang D30/101
D577,463 S * 9/2008 Kilroy D30/101
D616,610 S * 5/2010 Kilroy D30/104
D626,698 S * 11/2010 Stevenson et al. D30/101

FOREIGN PATENT DOCUMENTS

CN 301322675 * 8/2010

* cited by examiner

Primary Examiner — Wan Laymon

(74) *Attorney, Agent, or Firm* — Nixon & Vanderhye P.C.

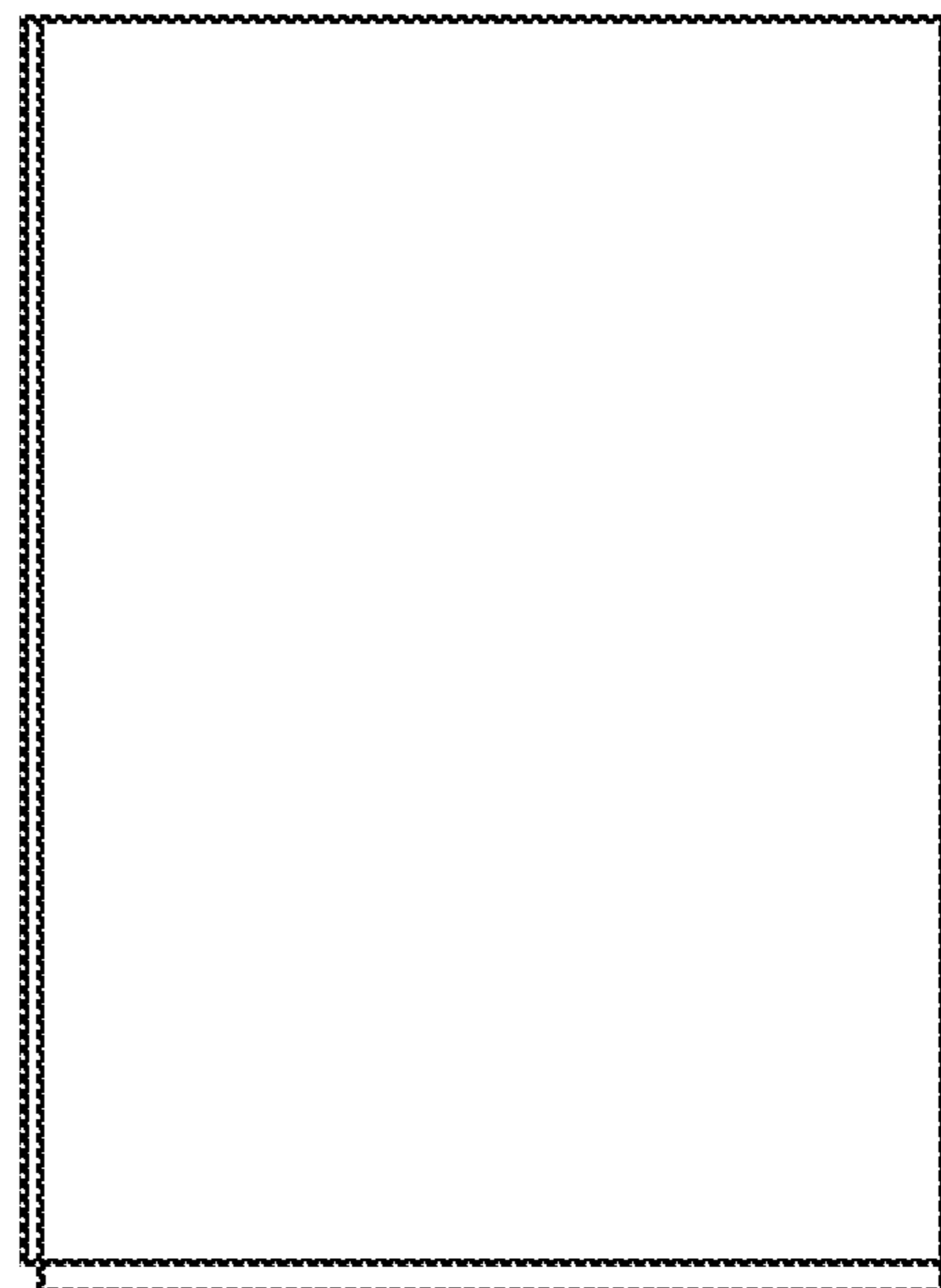
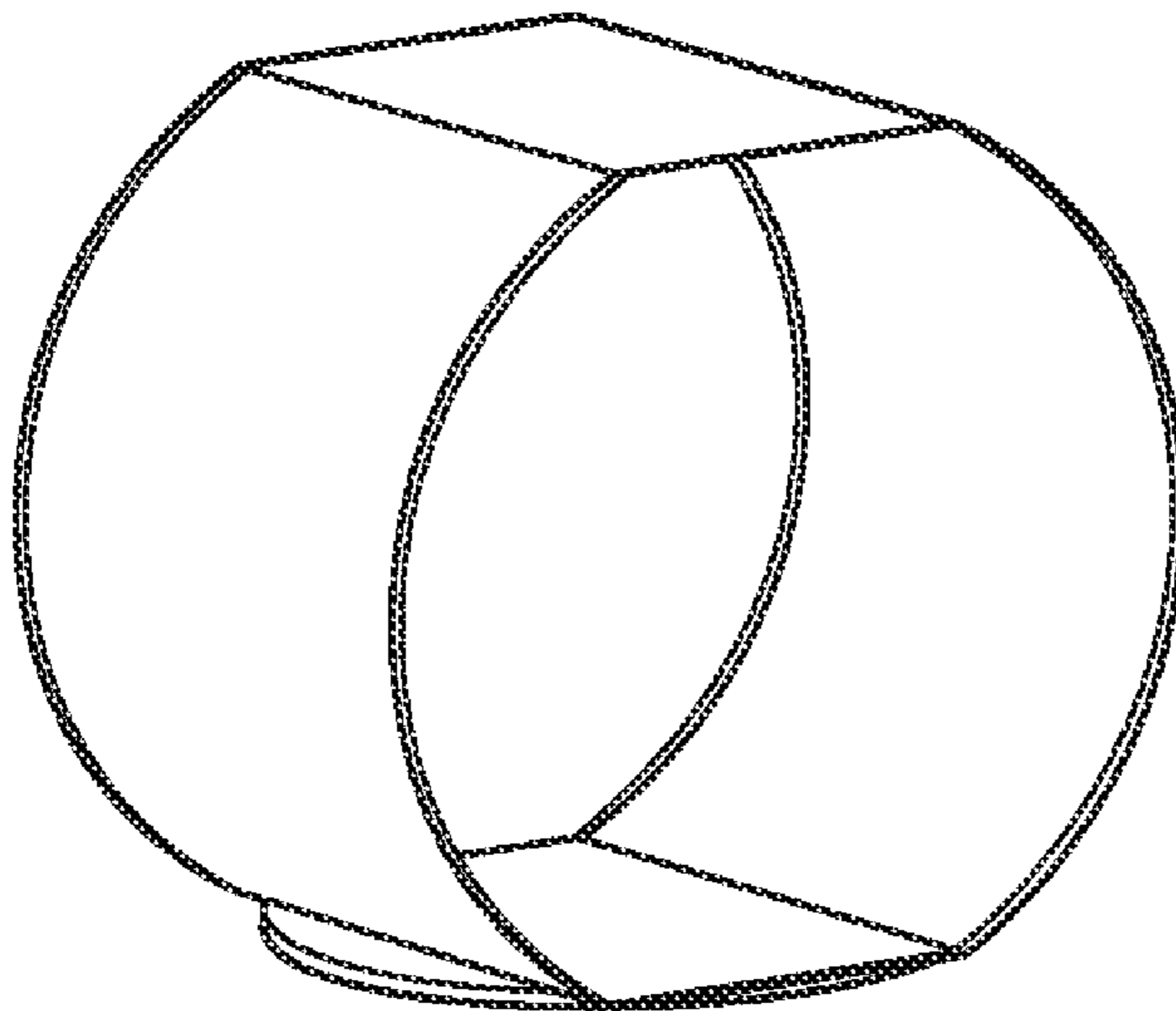
(57) **CLAIM**

The ornamental design for an aquarium, as shown and described.

DESCRIPTION

FIG. 1 is a perspective view of an aquarium;
FIG. 2 is a top plan view thereof;
FIG. 3 is a left elevational view thereof;
FIG. 4 is a front elevational view thereof;
FIG. 5 is a right elevational view thereof; and,
FIG. 6 is a bottom plan view thereof.

1 Claim, 1 Drawing Sheet



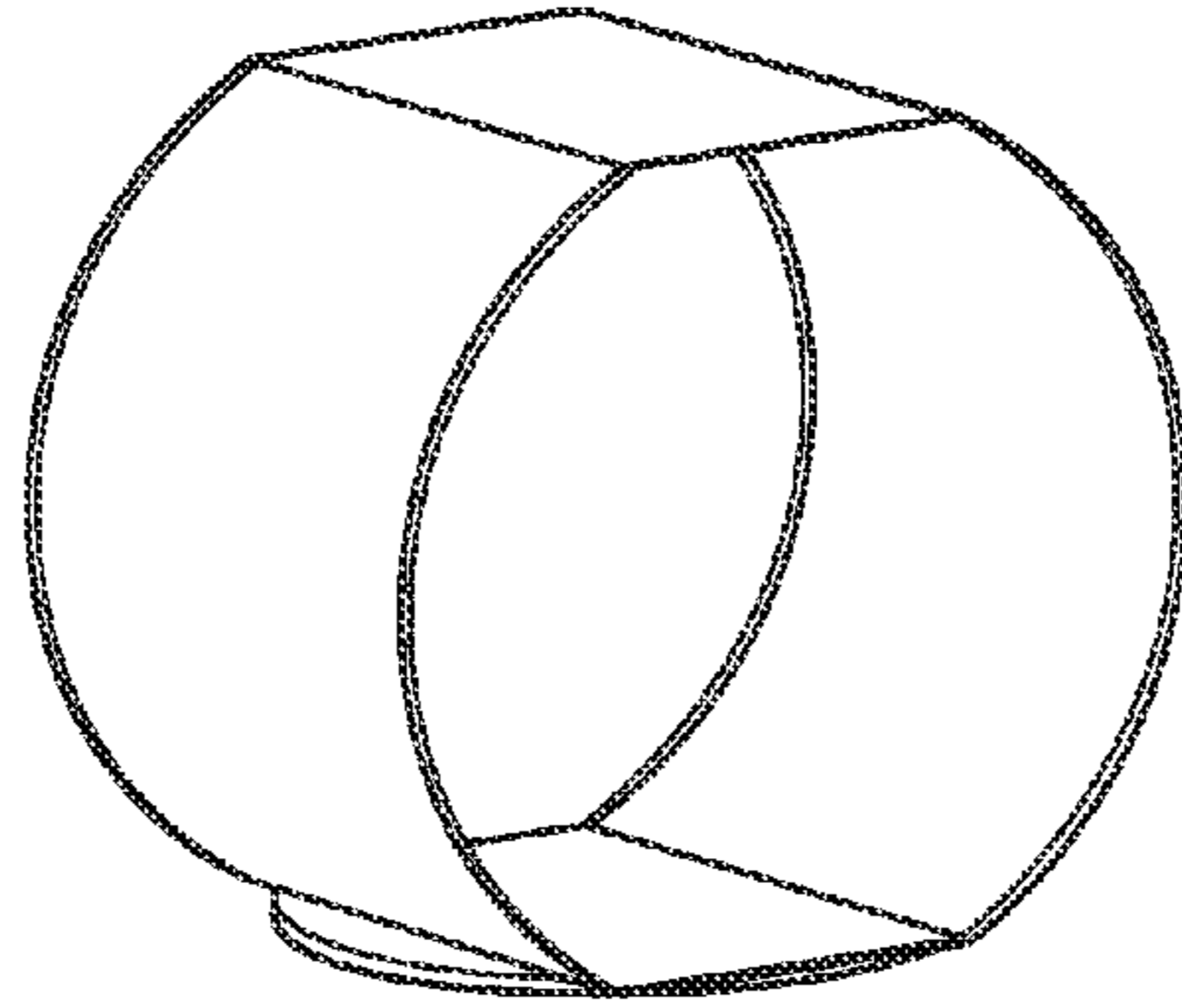


Fig. 1

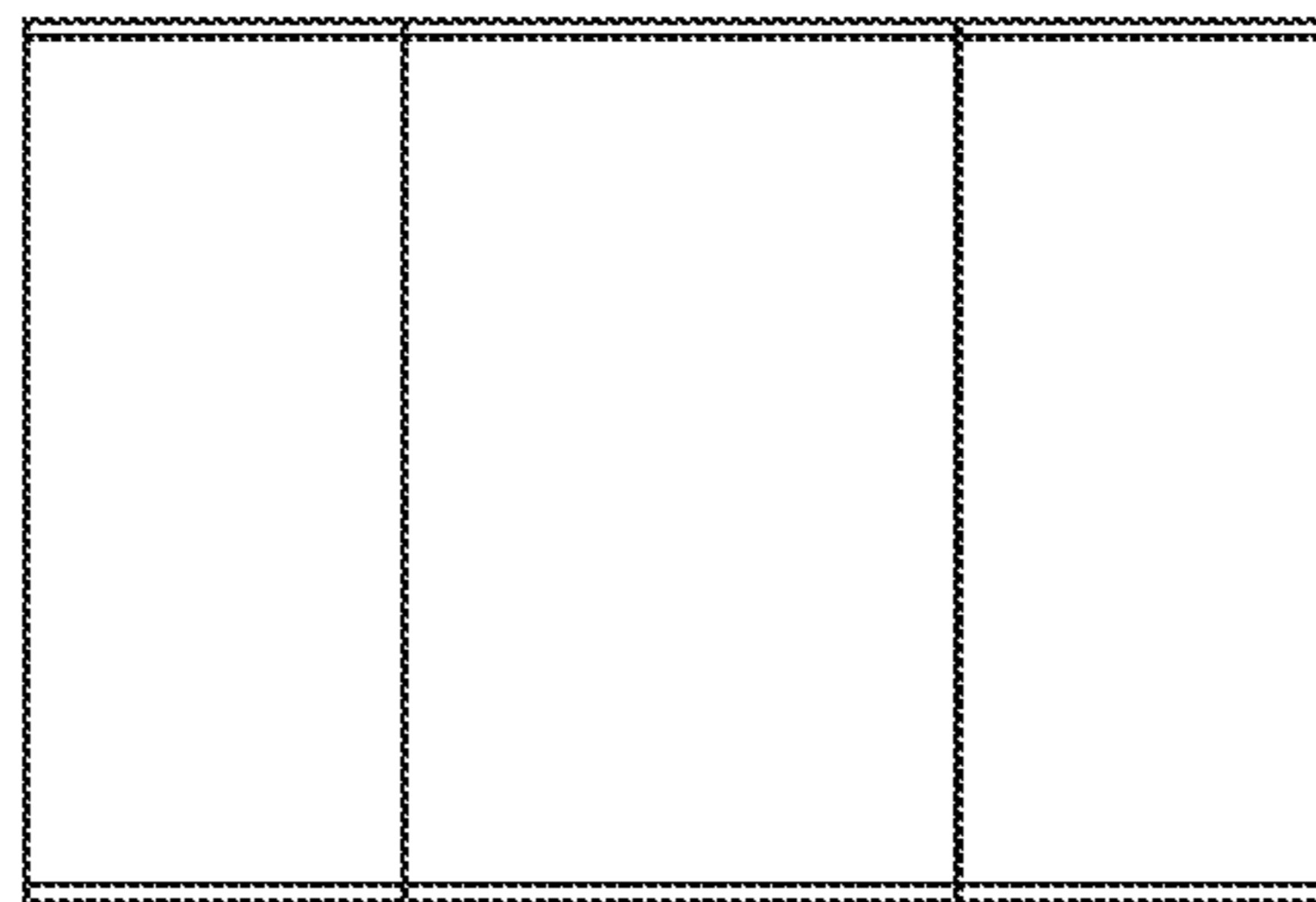


Fig. 2

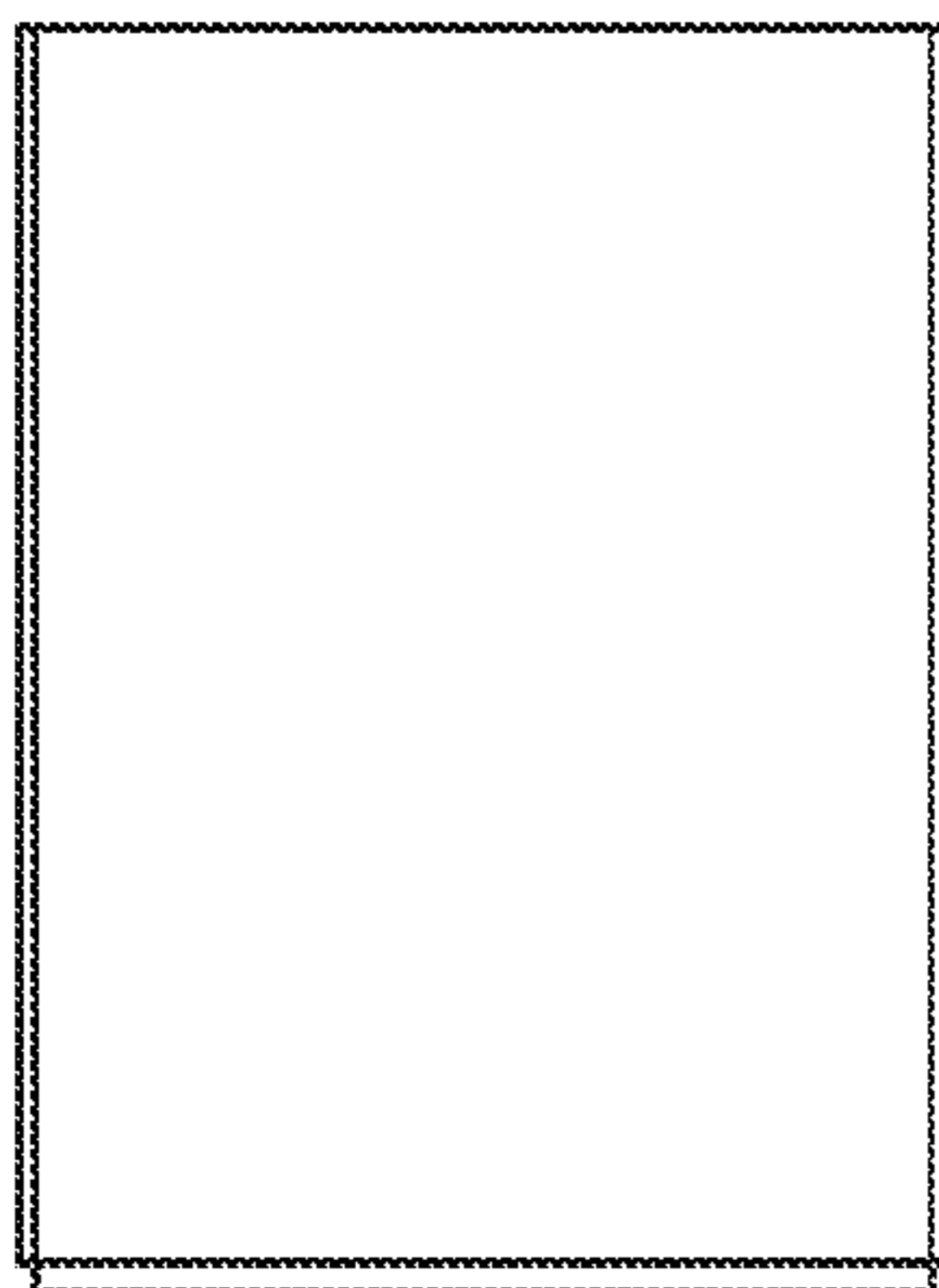


Fig. 3

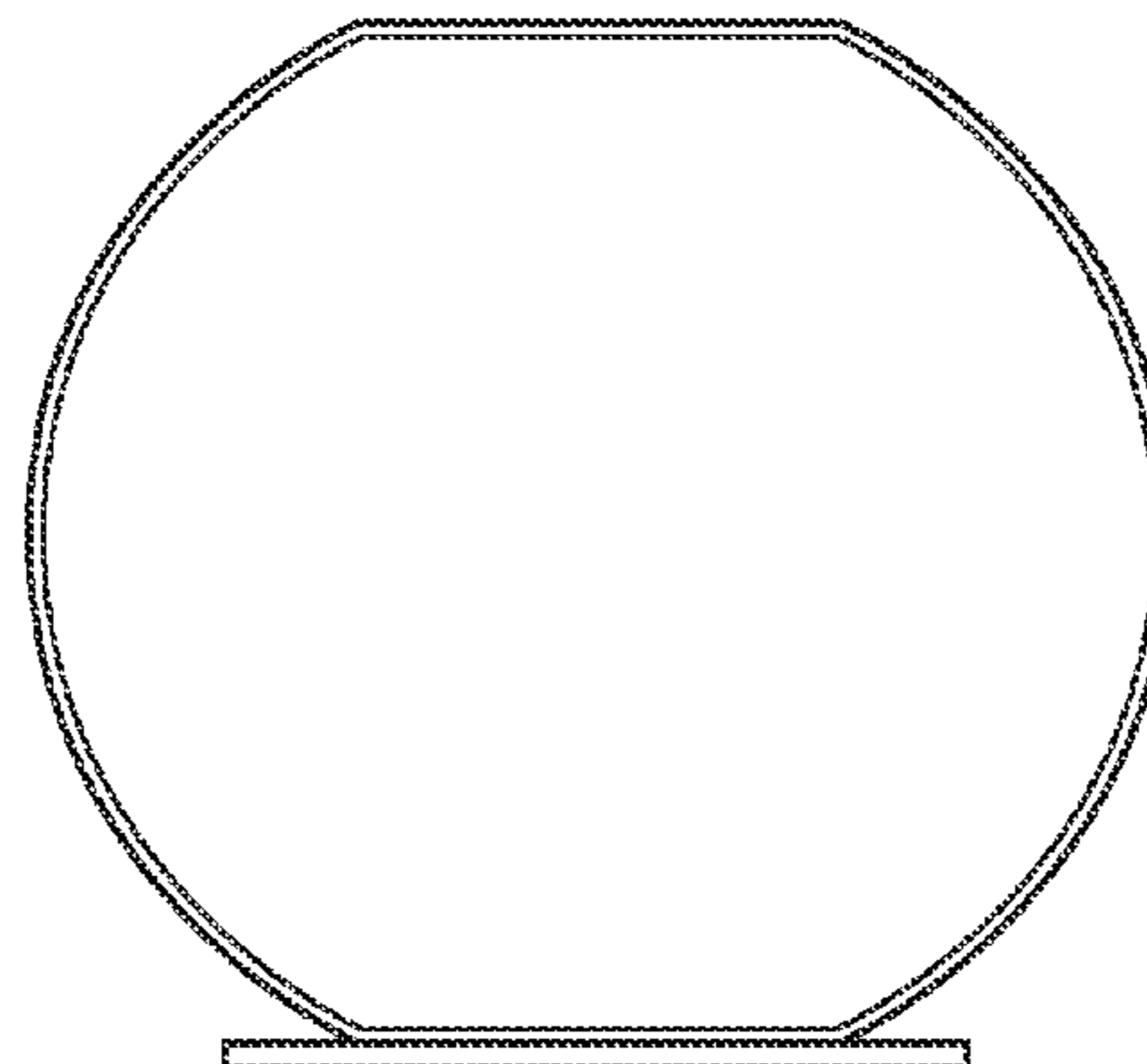


Fig. 4

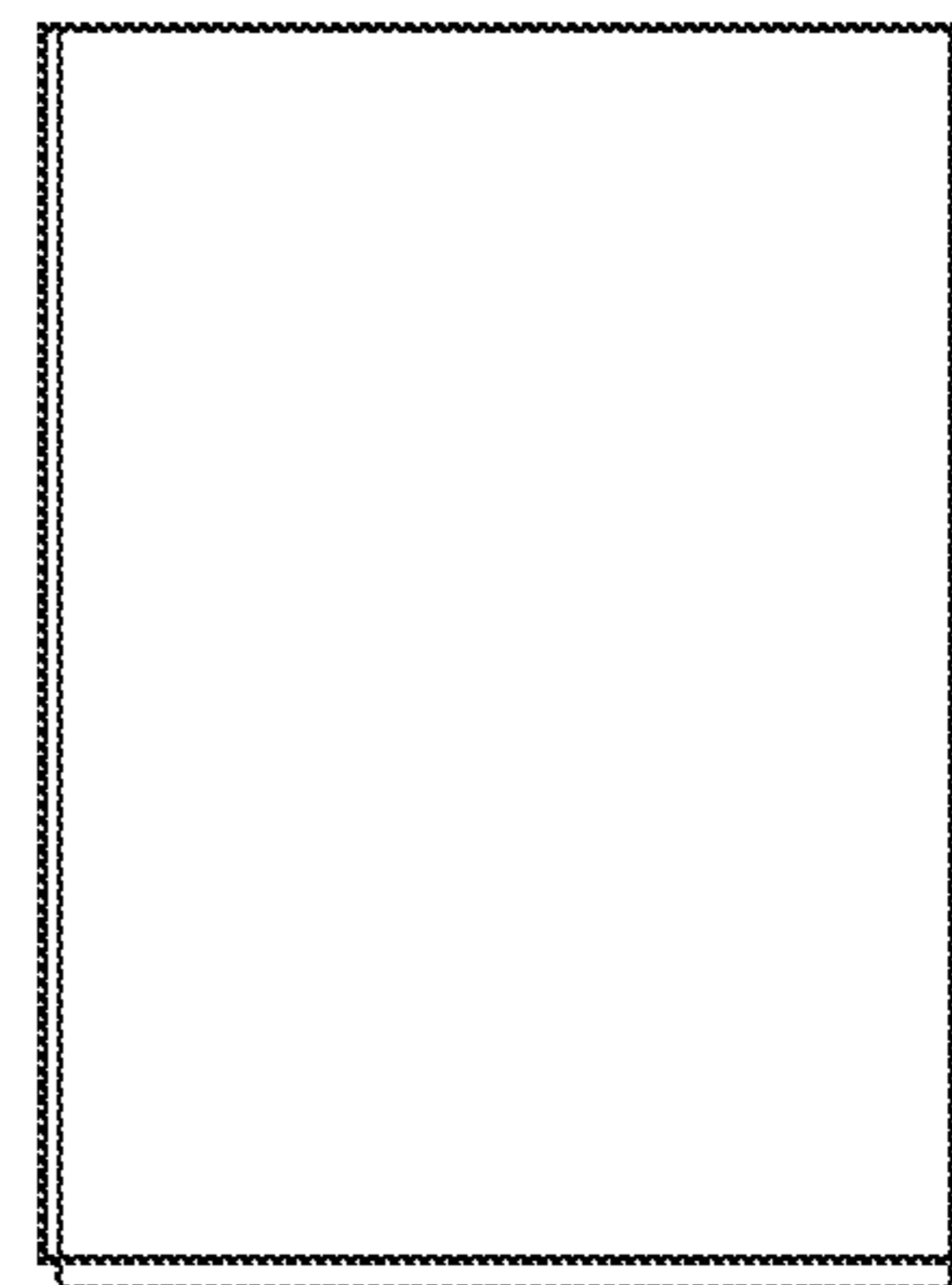


Fig. 5

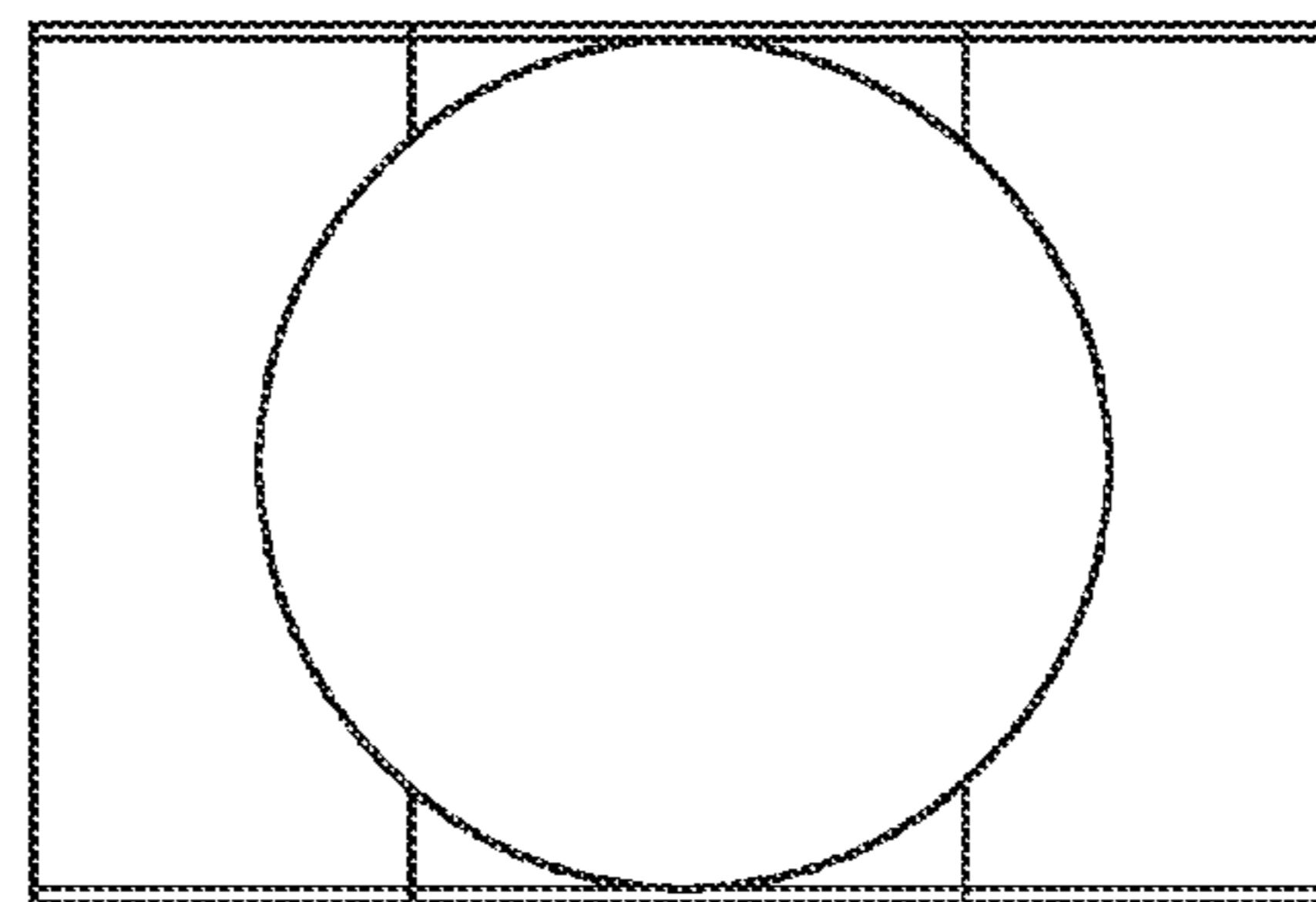


Fig. 6