



US00D674967S

(12) **United States Design Patent**
Figurski et al.

(10) **Patent No.:** **US D674,967 S**

(45) **Date of Patent:** **** Jan. 22, 2013**

(54) **HAND DRYER AND BASIN**

(75) Inventors: **Mark A. Figurski**, Hartland, WI (US);
Jason M. Renner, Greenfield, WI (US);
John M. Loberger, Germantown, WI
(US); **Kevin M. Kohlwey**, Fort
Washington, WI (US); **Cory R.**
Boudreau, Madison, WI (US); **Scott I.**
Biba, Highland, WI (US); **Nicholas S.**
Reback, Madison, WI (US)

(73) Assignee: **Bradley Fixtures Corporation**,
Menomonee Falls, WI (US)

(**) Term: **14 Years**

(21) Appl. No.: **29/424,760**

(22) Filed: **Jun. 15, 2012**

(51) **LOC (9) Cl.** **28-03**

(52) **U.S. Cl.** **D28/54.1**

(58) **Field of Classification Search** D23/271,
D23/284, 286, 308; 4/662, 619, 630, 638;
D28/54.1; D24/185

See application file for complete search history.

(56) **References Cited**

U.S. PATENT DOCUMENTS

D200,896 S * 4/1965 Gallup D28/54.1
D225,403 S * 12/1972 Brendgord D23/284
5,265,284 A * 11/1993 Dottori et al. 4/630
D387,144 S * 12/1997 Flaherty D23/308

D481,826 S * 11/2003 Martinuzzo et al. D28/54.1
D538,898 S * 3/2007 Trepanier D23/286
D588,676 S * 3/2009 Loberger et al. D23/271

* cited by examiner

Primary Examiner — Robert Delehanty

(74) *Attorney, Agent, or Firm* — Boyle Fredrickson, S.C.

(57) **CLAIM**

The ornamental design for a hand dryer and basin, substan-
tially as shown and described.

DESCRIPTION

This application claims priority from U.S. patent application
Ser. No. 29/400,281, filed on Aug. 25, 2011, which claims
priority from U.S. patent application Ser. No. 13/088,793,
filed on Apr. 18, 2011, the entireties of which are expressly
incorporated by reference herein.

FIG. 1 is a raised perspective view of the in situ hand dryer
hood of FIG. 1;

FIG. 2 is a top plan view of the in situ hand dryer hood of FIG.
1;

FIG. 3 is a raised front perspective view of the in situ hand
dryer hood of FIG. 1;

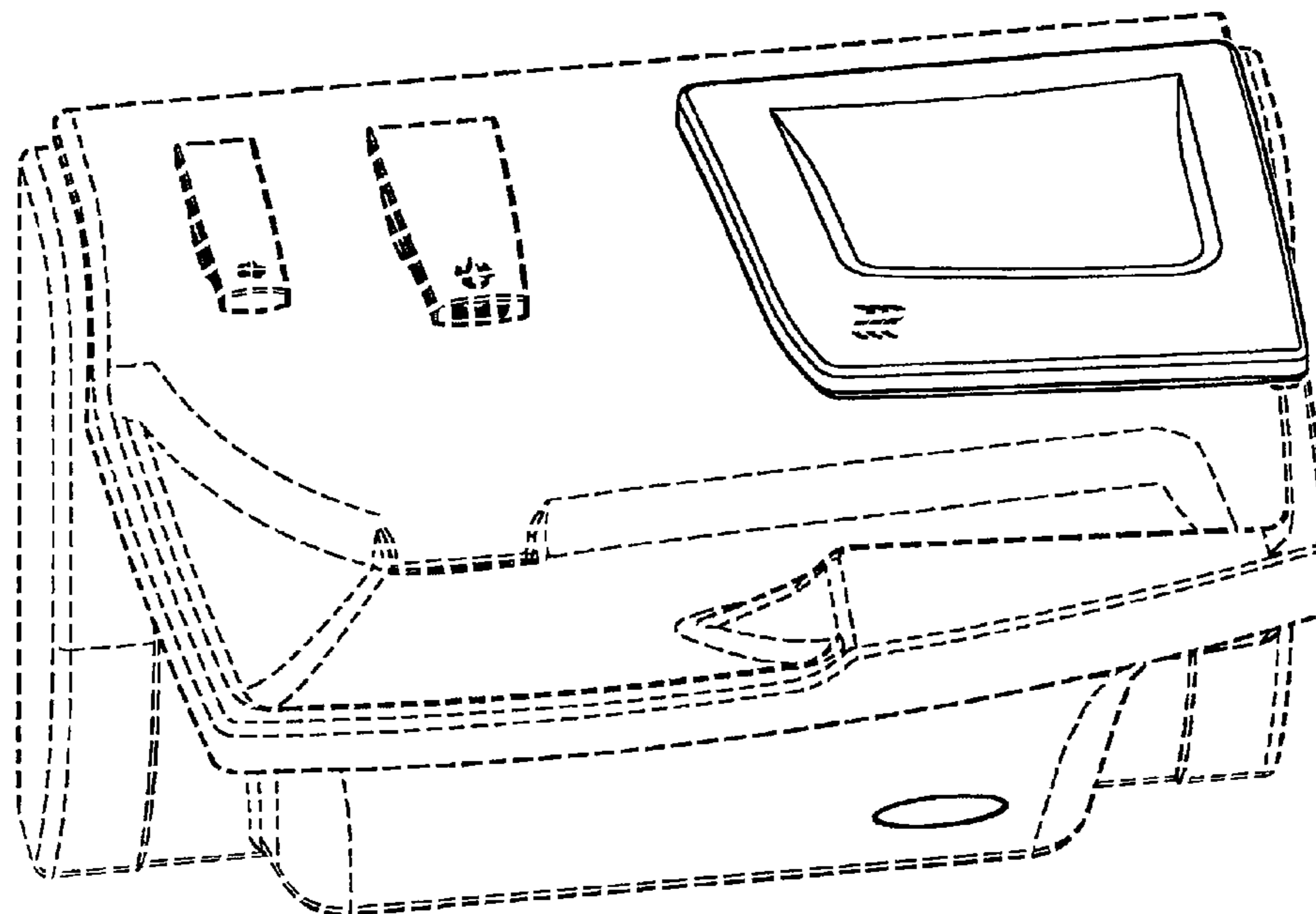
FIG. 4 is a front elevated view of the in situ hand dryer hood
of FIG. 1;

FIG. 5 is a left-side elevation view of the in situ hand dryer
hood of FIG. 1; and,

FIG. 6 is a right-side elevation view of the in situ hand dryer
hood of FIG. 1.

The broken lines represent environmental structure and form
no part of the claimed design.

1 Claim, 6 Drawing Sheets



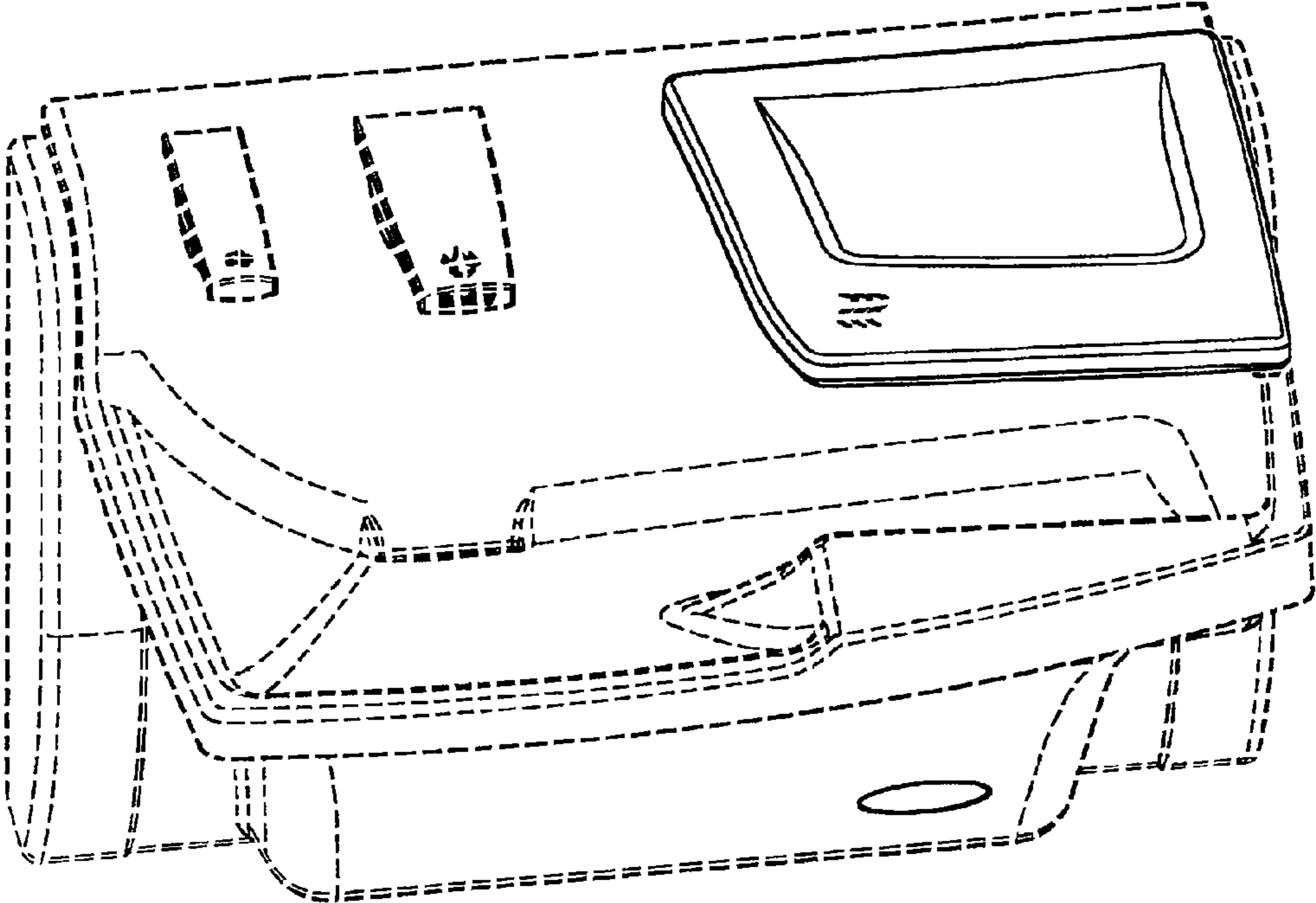


FIG 1

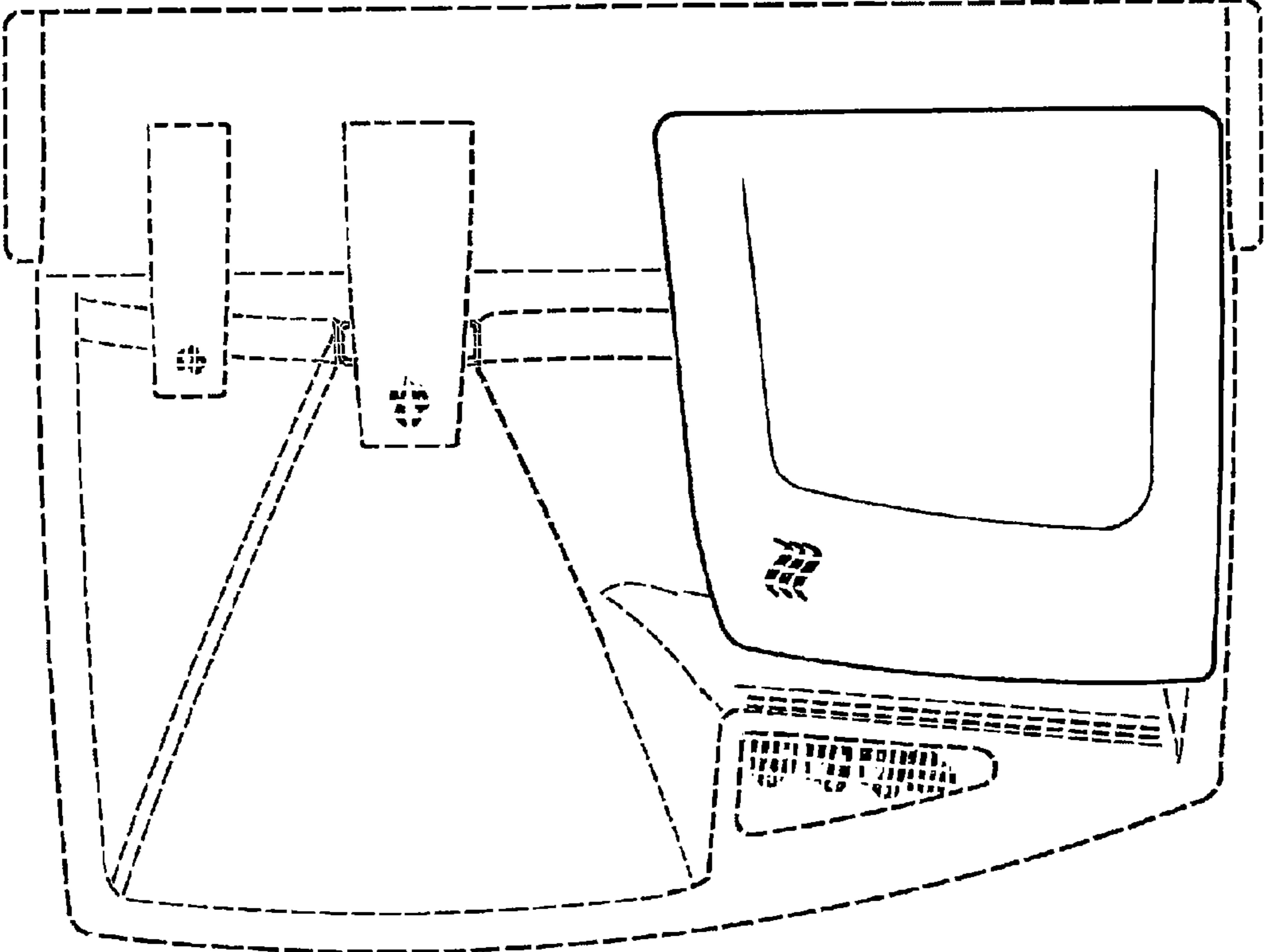


FIG 2

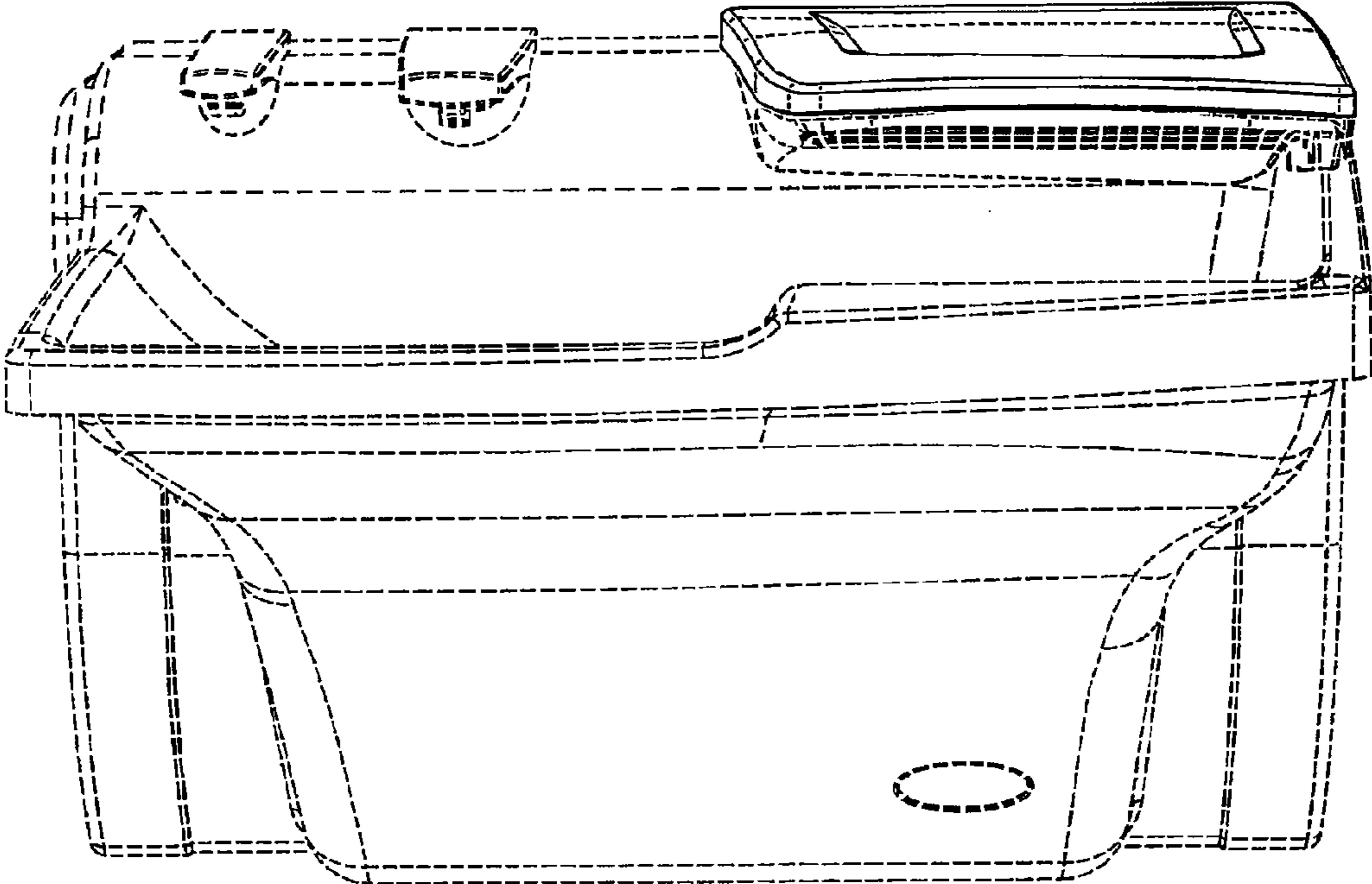


FIG 3

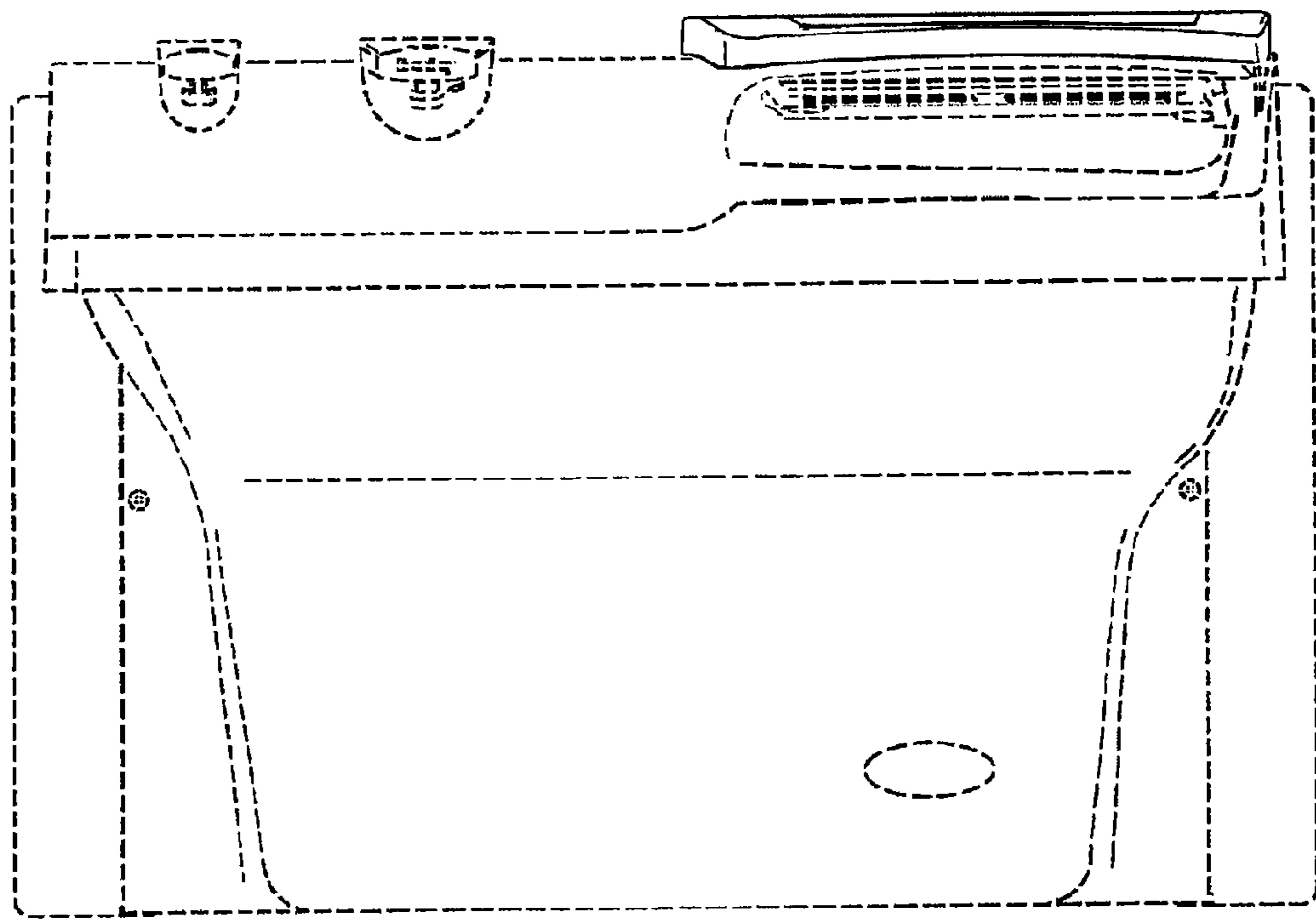


FIG 4

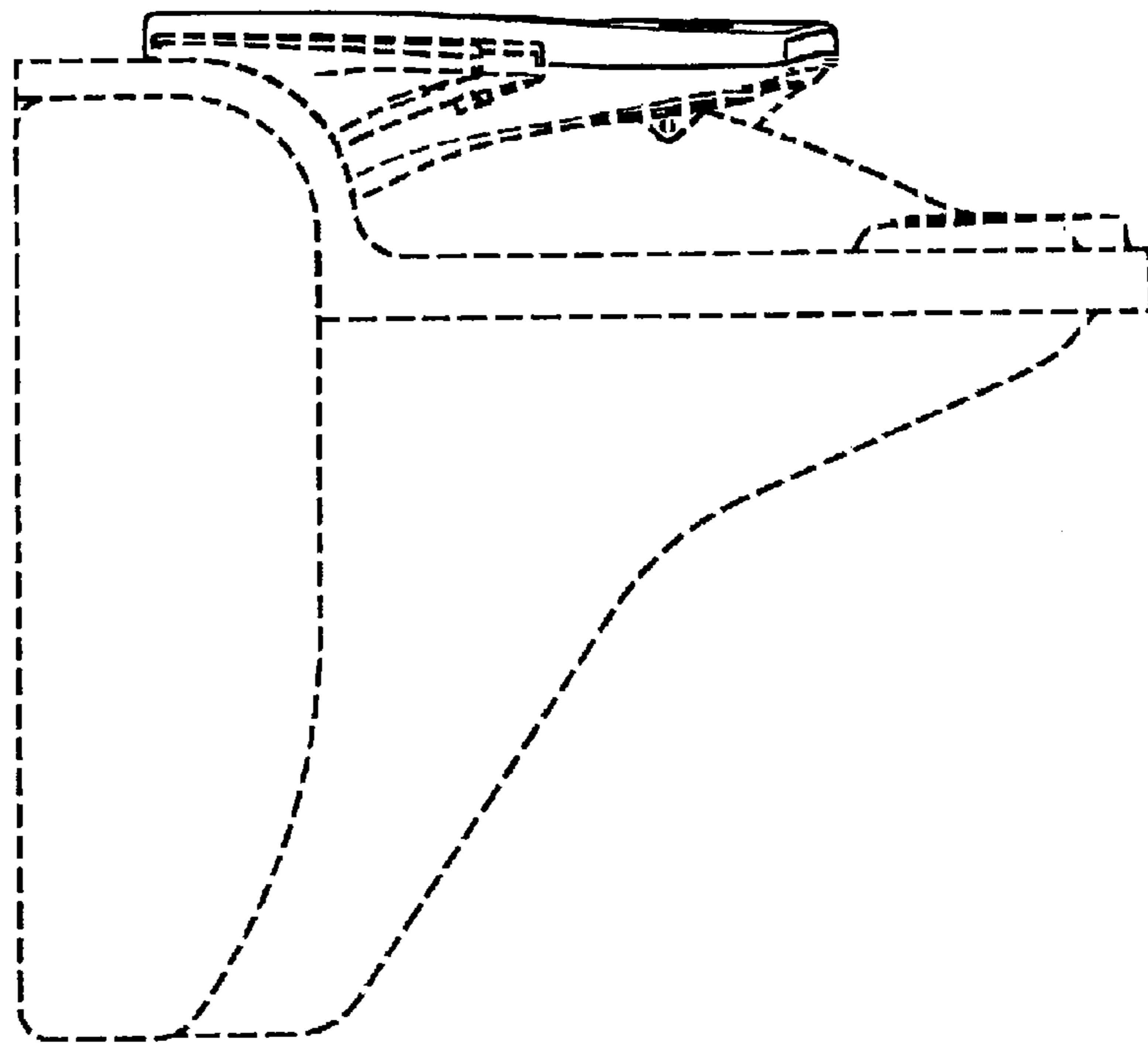


FIG 5

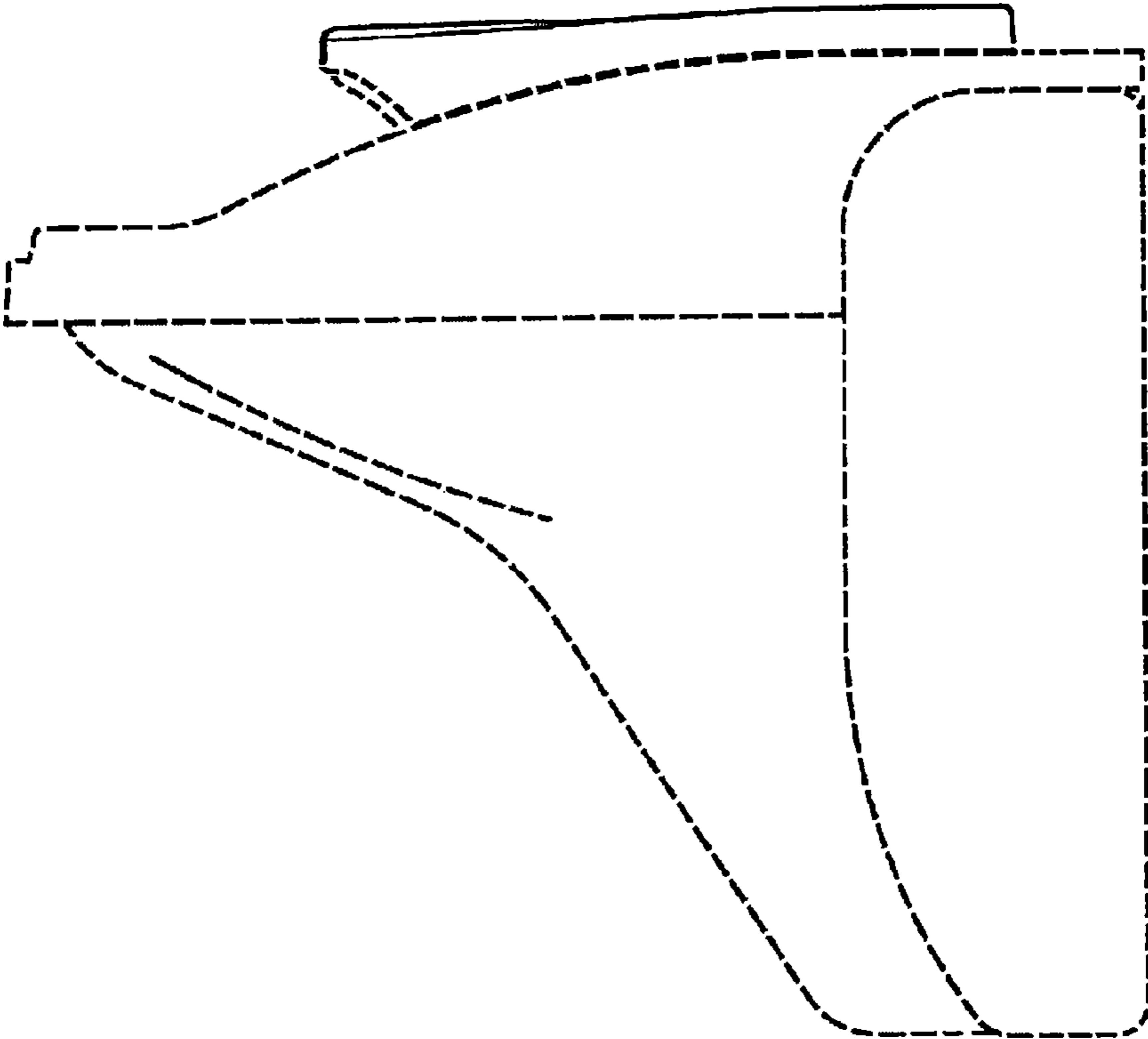


FIG 6