



US00D674964S

(12) **United States Design Patent**
Bailey et al.

(10) **Patent No.:** **US D674,964 S**
(45) **Date of Patent:** **** Jan. 22, 2013**

(54) **LUMINAIRE HOUSING**

(75) Inventors: **Christopher L. Bailey**, Palmetto, FL (US); **Adam J. Clark**, Bradenton, FL (US)

(73) Assignee: **Hubbell Incorporated**, Shelton, CT (US)

(**) Term: **14 Years**

(21) Appl. No.: **29/425,842**

(22) Filed: **Jun. 27, 2012**

Related U.S. Application Data

(62) Division of application No. 29/376,480, filed on Oct. 7, 2010.

(51) **LOC (9) Cl.** **26-99**

(52) **U.S. Cl.** **D26/118**

(58) **Field of Classification Search** D26/88, D26/91, 85, 86, 72, 74, 76, 118, 90, 134, D26/73, 75, 119, 120, 121, 122, 113, 71, D26/84, 128, 129, 2, 125, 78, 77, 138, 26, D26/89, 124, 130, 9, 10, 11, 24, 25, 63, 64, D26/65, 69, 127; 362/311.13, 249.01-249.12, 362/373, 362, 326, 247, 342, 220, 147, 148, 362/282, 339, 620, 223, 376, 219; D23/412, D23/385, 388; 349/64, 62, 63, 65; D16/101; D13/179, 180

See application file for complete search history.

(56) **References Cited**

U.S. PATENT DOCUMENTS

D119,792 S * 4/1940 Pieper D26/63
2,338,077 A 12/1943 Seribner
D150,735 S 8/1948 Schwartz et al.
D152,348 S * 1/1949 Mehr D24/210

D191,062 S * 8/1961 Gross D26/71
3,213,270 A 10/1965 Appleton at al.
3,265,885 A 8/1966 Porter
3,502,858 A 3/1970 Habro et al.
3,525,142 A 8/1970 Osborne, Jr.
3,636,339 A 1/1972 Osborne, Jr.
4,557,225 A 12/1985 Sagues et al.
4,849,862 A 7/1989 Diskin et al.
D306,909 S * 3/1990 Kelley et al. D26/24
4,985,815 A 1/1991 Endo
D315,832 S 4/1991 Rocheleau et al.
D323,897 S * 2/1992 Compton D26/24
D338,449 S 8/1993 Sahyoun
D360,047 S 7/1995 Zimmerman et al.
5,515,254 A 5/1996 Smith et al.

(Continued)

Primary Examiner — Kevin Rudzinski

(74) *Attorney, Agent, or Firm* — Alan I. Cantor; Mark S. Bicks; Alfred N. Goodman

(57) **CLAIM**

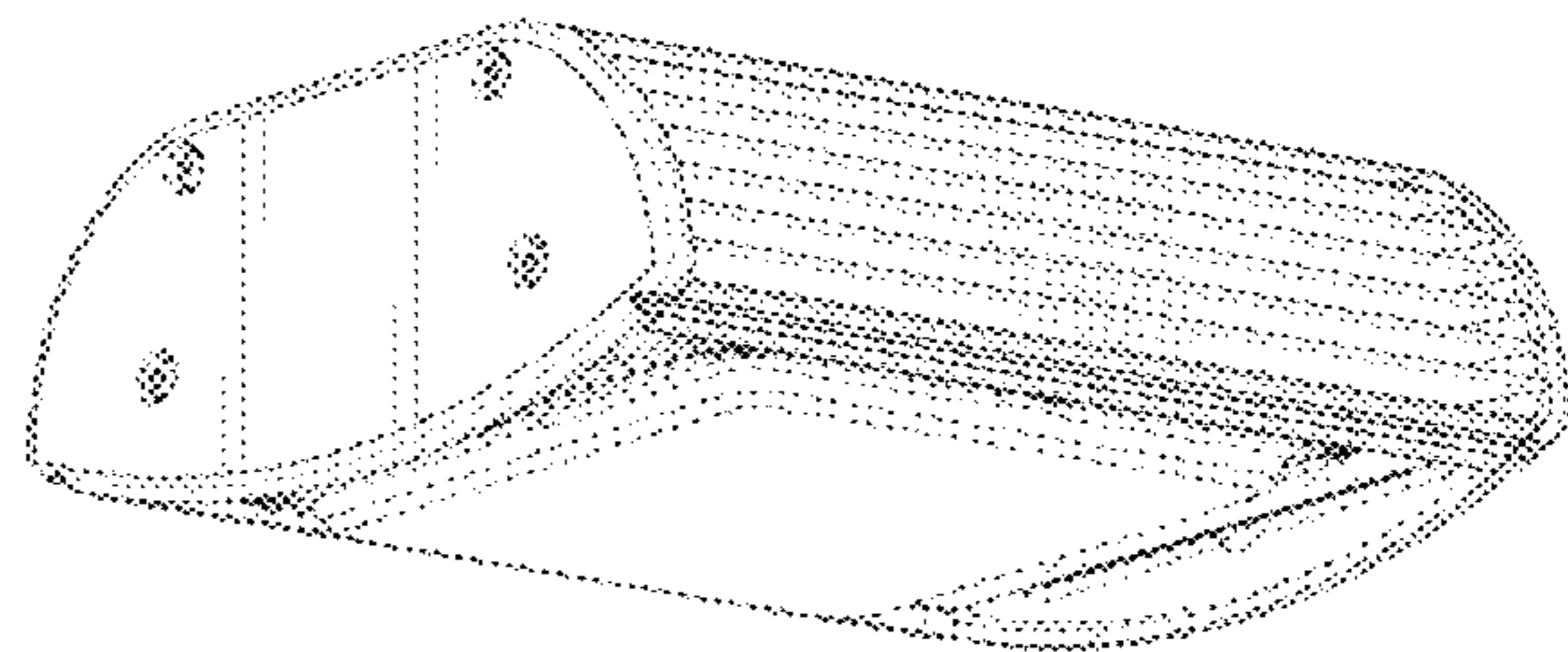
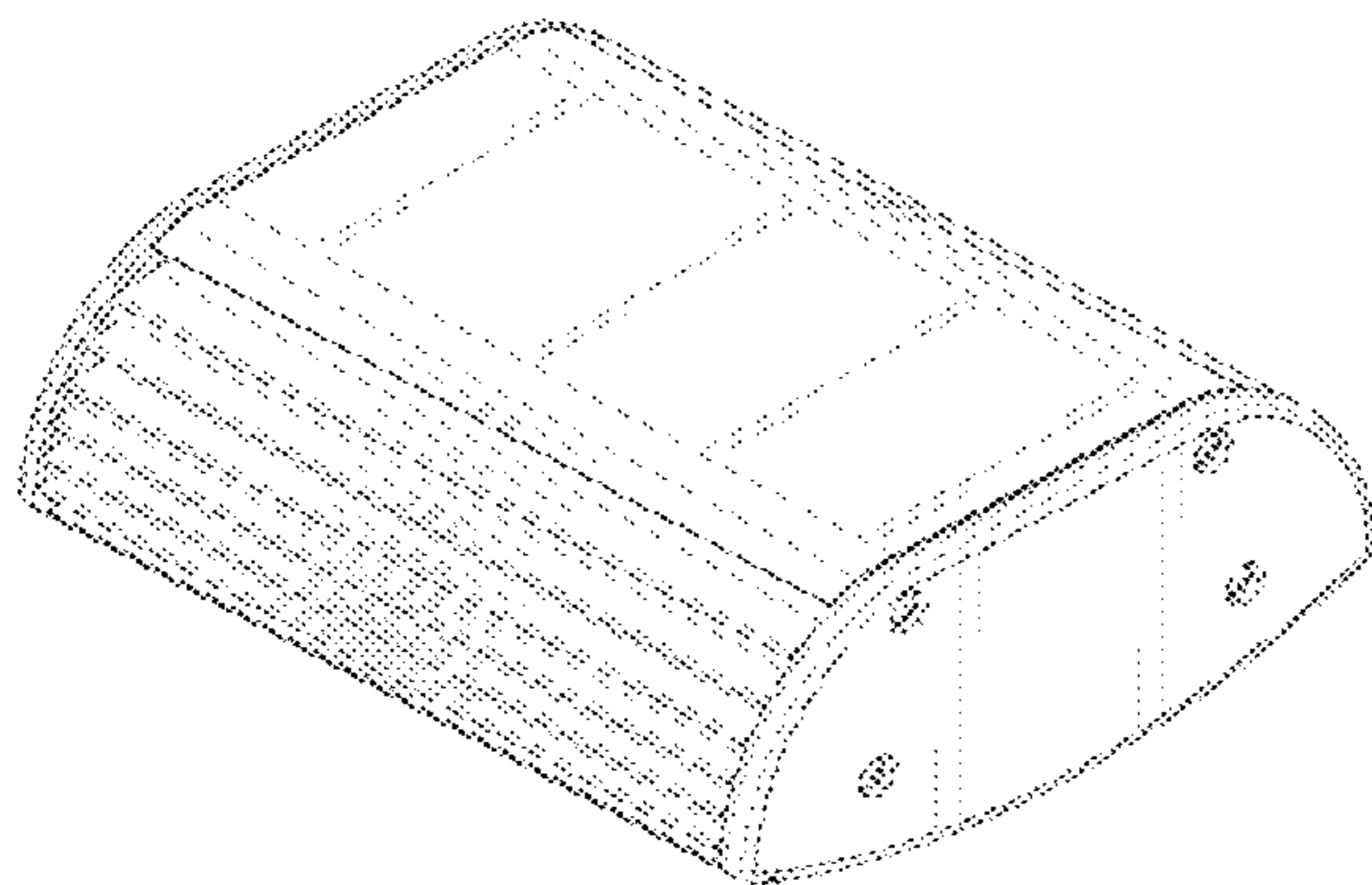
The ornamental design for a luminaire housing, as shown and described.

DESCRIPTION

FIG. 1 is a top perspective view of a luminaire housing in accordance with the present invention; FIG. 2 is a front elevational view of the luminaire housing of FIG. 1, the rear elevation being the same as that shown; FIG. 3 is a bottom perspective view of the luminaire housing of FIG. 1; FIG. 4 is a top plan view of the luminaire housing of FIG. 1; FIG. 5 is a side elevational view of the luminaire housing of FIG. 1, the opposite side being the same as that shown; and, FIG. 6 is a bottom plan view of the luminaire housing of FIG. 1.

The broken lines illustrate portions of the luminaire housing that form no part of the claimed design.

1 Claim, 6 Drawing Sheets



US D674,964 S

U.S. PATENT DOCUMENTS

D404,511 S *	1/1999	Compton	D26/67	D621,968 S	8/2010	Schultz	
D417,303 S *	11/1999	Rahn	D26/67	7,771,090 B2 *	8/2010	Chang et al. 362/294
D418,626 S	1/2000	Herst et al.			D623,342 S	9/2010	Klus	
D421,147 S	2/2000	Herst et al.			D623,343 S	9/2010	Klus	
D434,519 S	11/2000	Herst et al.			D625,463 S	10/2010	Klus	
D435,310 S	12/2000	Herst et al.			D627,095 S	11/2010	Miyairi et al.	
D437,958 S *	2/2001	Doron et al.	D26/71	D630,790 S *	1/2011	Josefowicz et al. D26/71
6,305,874 B1	10/2001	Custers et al.			D631,998 S *	2/2011	Little et al. D26/71
6,340,868 B1	1/2002	Lys et al.			D631,999 S	2/2011	Little, Jr. et al.	
D475,154 S *	5/2003	Binsukor	D26/72	D632,000 S	2/2011	Little, Jr. et al.	
6,573,536 B1	6/2003	Dry			D634,875 S	3/2011	Jiang et al.	
D484,633 S *	12/2003	Campagna	D26/72	D636,524 S *	4/2011	Lin D26/118
6,720,566 B2	4/2004	Blandford			D641,908 S *	7/2011	McKee D26/71
D492,441 S *	6/2004	Bradford et al.	D26/92	7,972,035 B2	7/2011	Boyer	
6,815,724 B2	11/2004	Dry			D643,960 S	8/2011	Waldmann	
6,831,303 B2	12/2004	Dry			8,038,327 B1	10/2011	Franck et al.	
6,905,214 B2	6/2005	Tani			D648,473 S *	11/2011	Lin et al. D26/71
6,984,055 B2	1/2006	McCarthy et al.			D648,885 S *	11/2011	Toratani D26/71
7,033,060 B2	4/2006	Dubuc			8,047,682 B2	11/2011	Zheng et al.	
7,198,387 B1	4/2007	Gloisten et al.			D663,462 S *	7/2012	Butler et al. D26/71
7,234,844 B2	6/2007	Bolta et al.			2004/0026721 A1	2/2004	Dry	
7,242,028 B2	7/2007	Dry			2004/0141326 A1	7/2004	Dry	
7,267,461 B2	9/2007	Kan et al.			2005/0258439 A1	11/2005	Dry	
7,288,796 B2	10/2007	Dry			2005/0258440 A1	11/2005	Dry	
D556,935 S	12/2007	Quioque et al.			2005/0269581 A1	12/2005	Dry	
D562,487 S *	2/2008	Romo	D26/67	2006/0146531 A1	7/2006	Reo et al.	
D568,521 S	5/2008	Compton			2006/0250803 A1	11/2006	Chen	
D570,533 S	6/2008	Morgan			2006/0262545 A1	11/2006	Piepgras et al.	
D574,107 S	7/2008	Tress et al.			2007/0070628 A1	3/2007	Chen	
D576,330 S	9/2008	Ruud et al.			2007/0086196 A1	4/2007	Wong	
D576,332 S *	9/2008	Ruud et al.	D26/72	2007/0159827 A1	7/2007	Huang	
D577,455 S *	9/2008	Zheng et al.	D26/71	2008/0192478 A1	8/2008	Chen	
7,420,811 B2	9/2008	Chan			2008/0273326 A1	11/2008	Wilcox et al.	
D578,696 S	10/2008	Wang et al.			2008/0285264 A1	11/2008	Whitehouse et al.	
7,438,448 B2	10/2008	Chen			2009/0213588 A1 *	8/2009	Manes 362/235
7,506,995 B2	3/2009	Thomas et al.			2009/0237930 A1 *	9/2009	Li 362/235
D599,940 S	9/2009	Zheng			2009/0251898 A1 *	10/2009	Kinnune et al. 362/249.02
D603,077 S *	10/2009	Kinnune et al.	D26/71	2009/0303711 A1	12/2009	Remus et al.	
7,600,908 B2	10/2009	Chang et al.			2010/0149809 A1	6/2010	Ruud et al.	
D606,501 S	12/2009	Plonski et al.			2010/0195326 A1	8/2010	Boxler et al.	
7,665,866 B2	2/2010	Mayer et al.			2011/0038153 A1	2/2011	Hu	
D615,233 S *	5/2010	Josefowicz et al.	D26/71	2011/0194281 A1	8/2011	Josefowicz et al.	
D615,234 S *	5/2010	Oblak	D26/71				

* cited by examiner

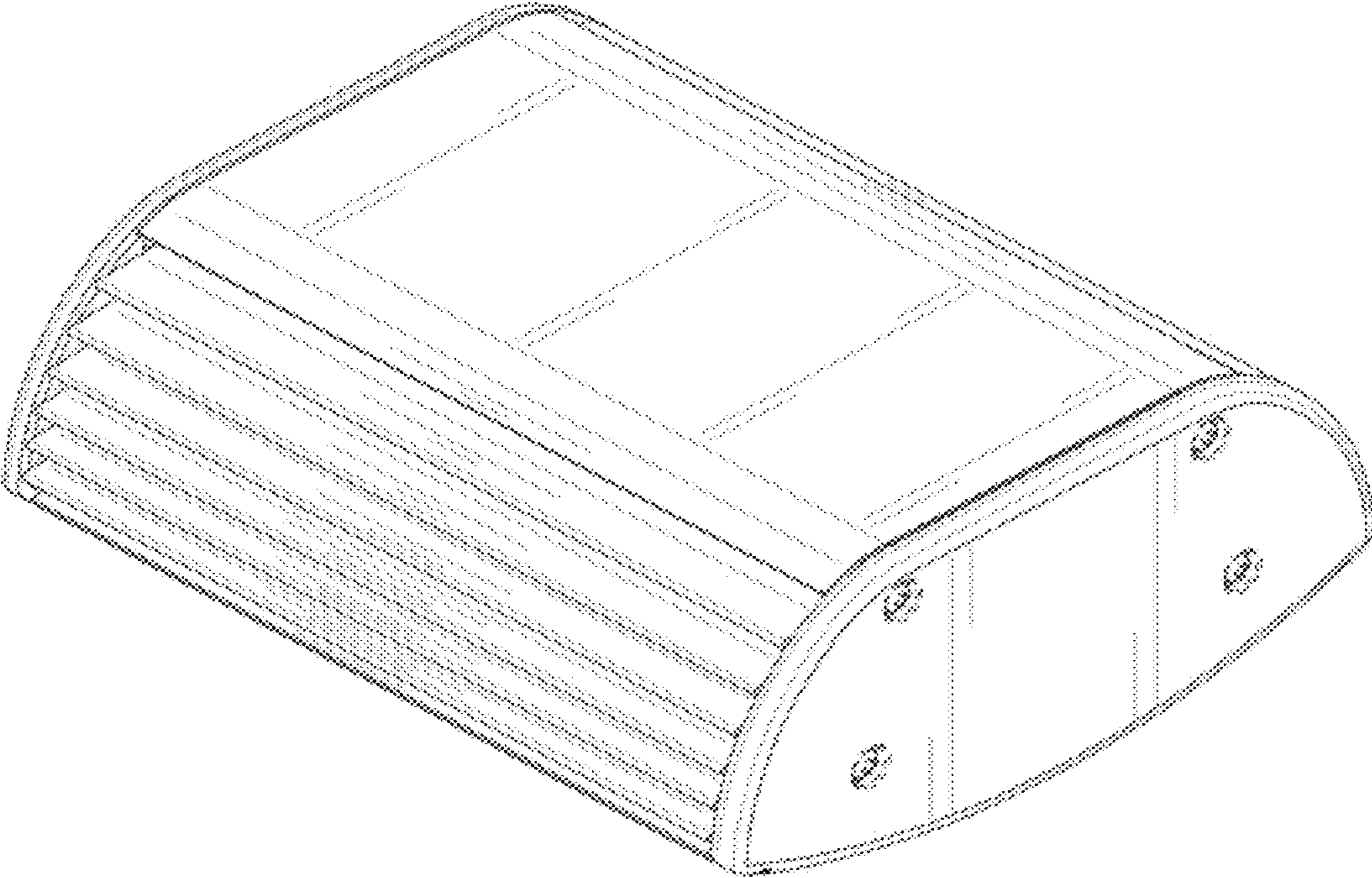


FIG. 1

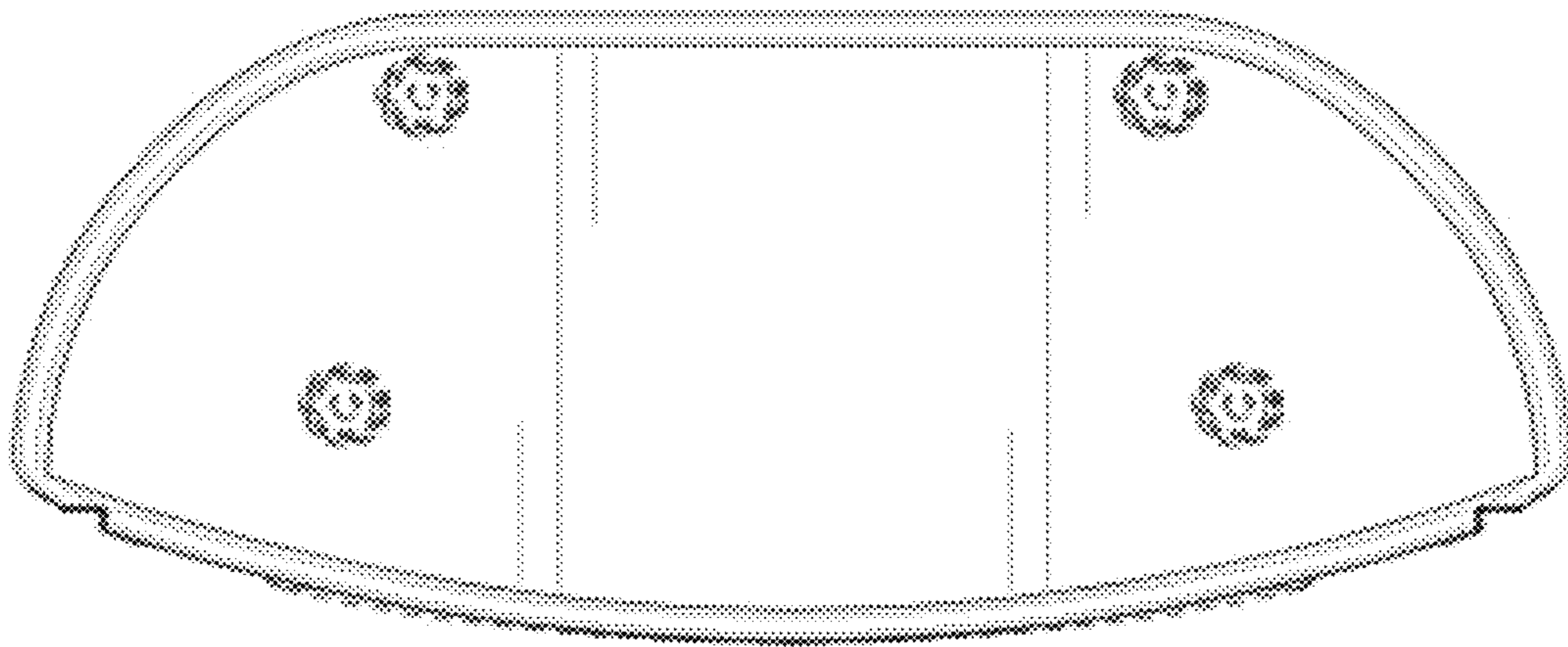


FIG. 2

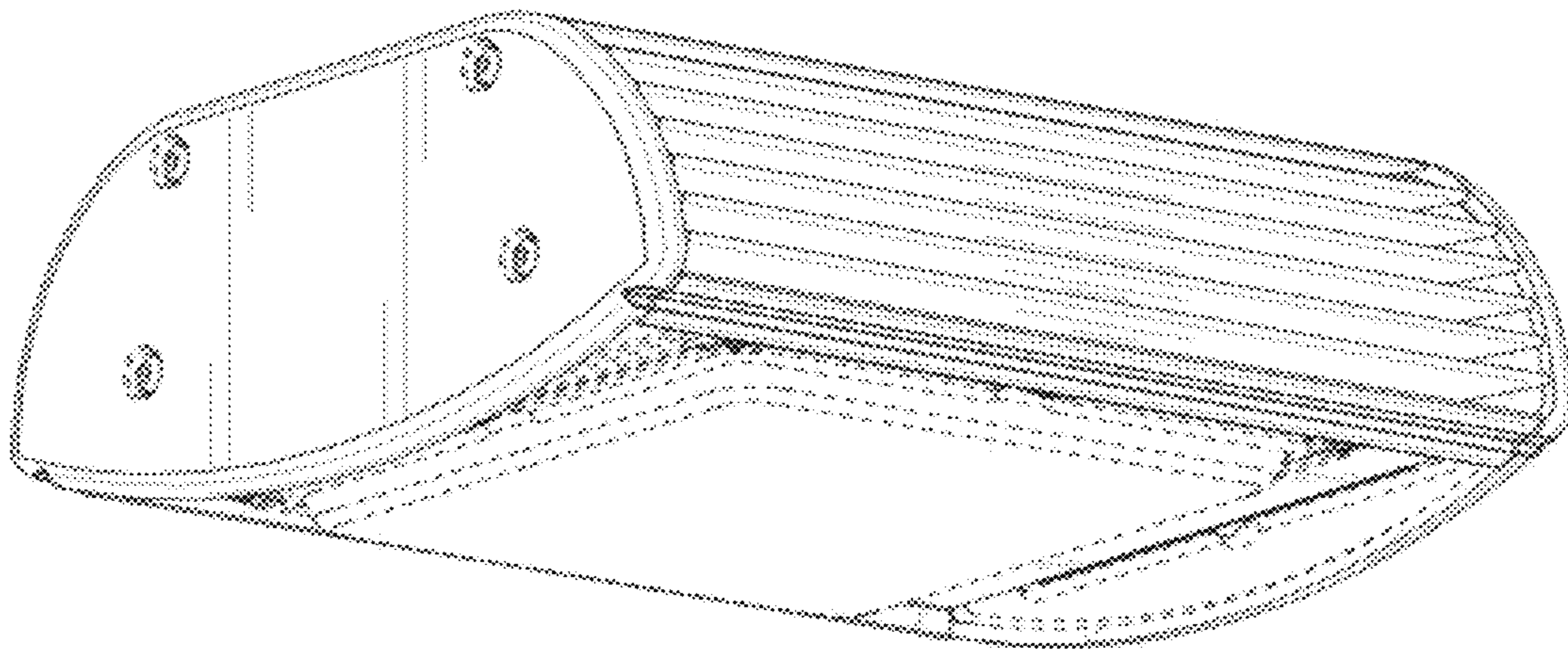


FIG. 3

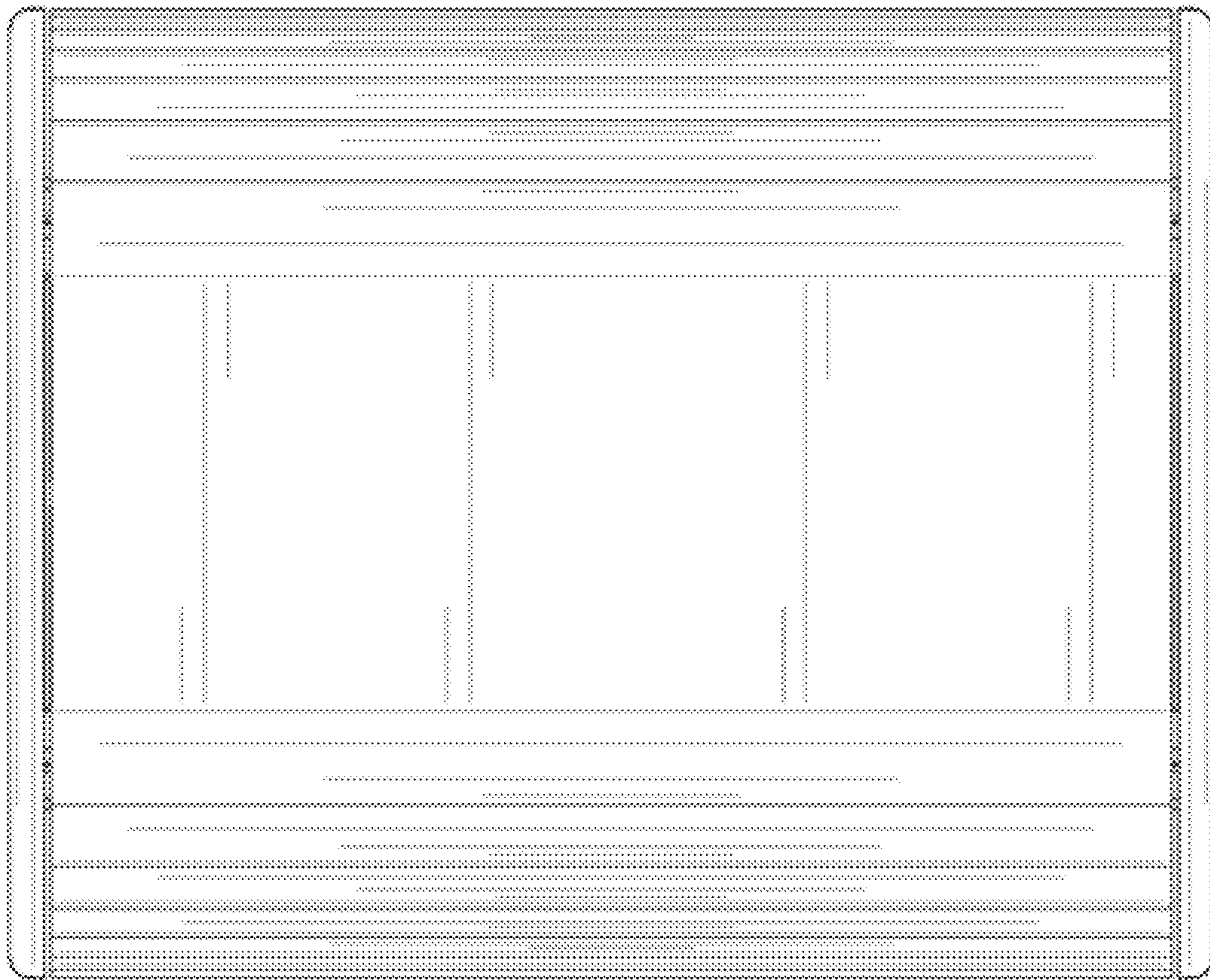


FIG. 4

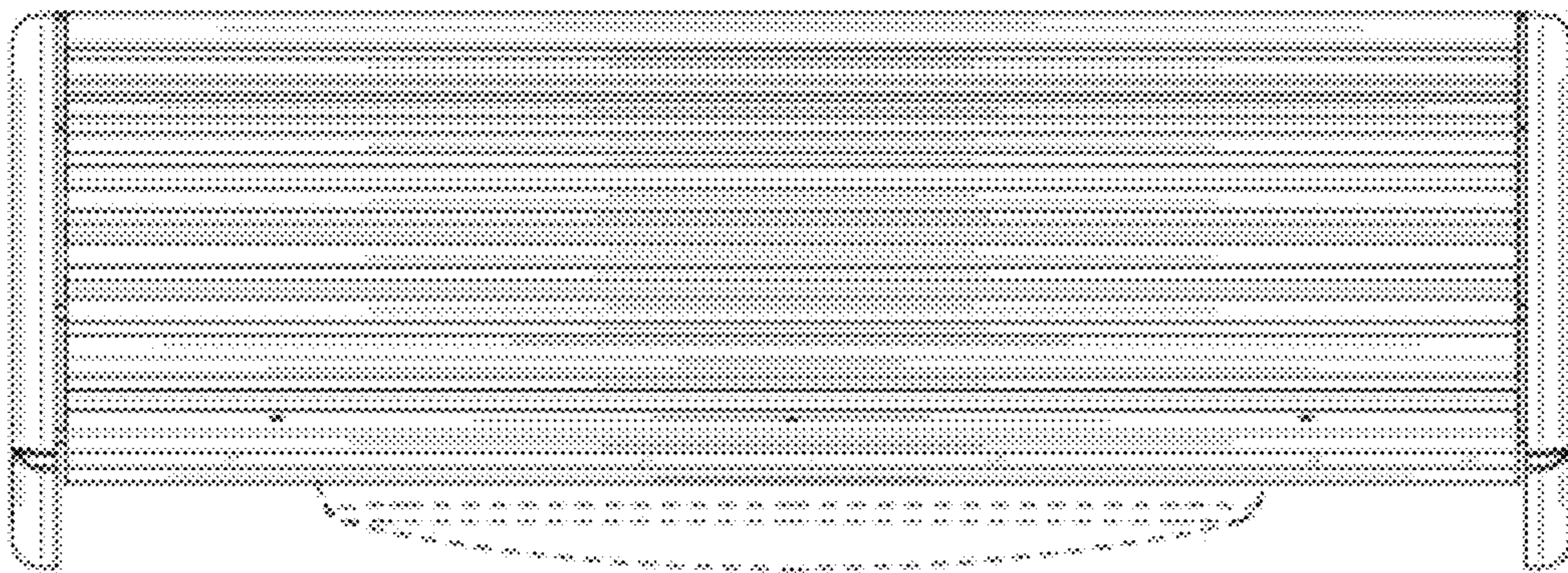


FIG. 5

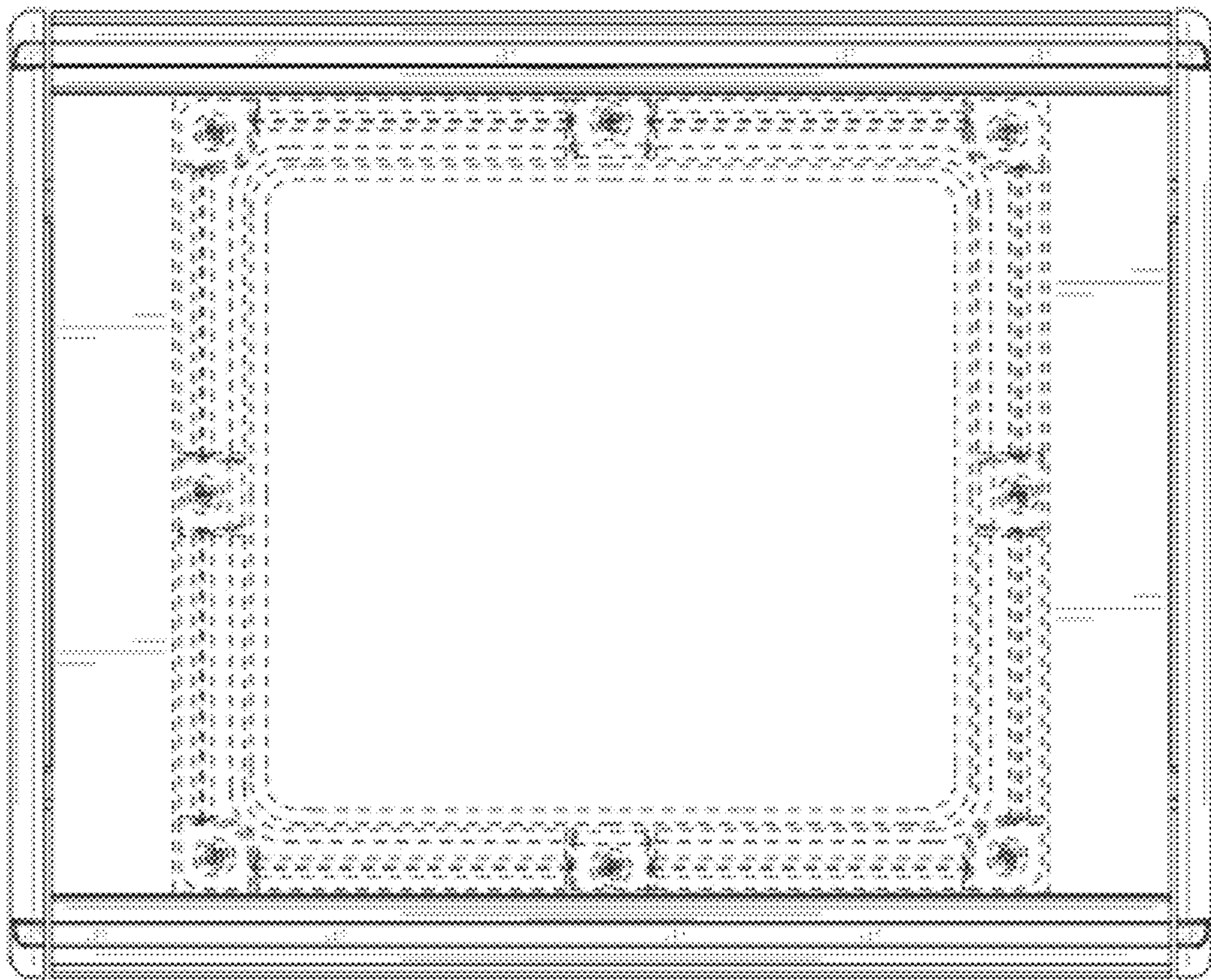


FIG. 6