



US00D674959S

(12) **United States Design Patent**  
**Townley**

(10) **Patent No.:** **US D674,959 S**

(45) **Date of Patent:** **\*\* Jan. 22, 2013**

(54) **LIGHT SHIELD FOR AN OVERHEAD LIGHT**

(76) Inventor: **Steven P. Townley**, Smyrna, TN (US)

(\*\*) Term: **14 Years**

(21) Appl. No.: **29/412,768**

(22) Filed: **Feb. 7, 2012**

(51) **LOC (9) Cl.** ..... **26-99**

(52) **U.S. Cl.** ..... **D26/113**

(58) **Field of Classification Search** ..... D26/1,  
D26/2, 118, 113, 138, 119, 120, 121, 122,  
D26/76, 77, 75, 78, 85, 86, 89, 90, 62, 64,  
D26/65, 66, 63, 73, 72, 74, 68, 71, 28, 123,  
D26/124, 127, 128, 129, 134, 135, 132, 139,  
D26/154, 155, 152, 149, 148, 145, 143, 142,  
D26/140, 141, 153, 144, 91, 92, 29, 24, 25,  
D26/26, 8, 114, 37, 87; 362/202, 347, 349,  
362/362, 419, 96, 192, 145, 294, 326, 267,  
362/373, 249.01–249.12; D13/102, 179,  
D13/180; D12/191; 296/97.6

See application file for complete search history.

(56) **References Cited**

**U.S. PATENT DOCUMENTS**

1,573,835	A	2/1926	Horsey	
1,868,031	A *	7/1932	Sudbrink	296/97.2
2,075,364	A	3/1937	Smith	
2,297,168	A	9/1942	Rosenberg	
3,609,345	A	9/1971	Perkiss	
3,621,233	A	11/1971	Ferdinand, Jr.	
3,829,681	A	8/1974	Fuss	
3,948,554	A *	4/1976	Barbee	296/97.6
4,167,287	A *	9/1979	Franklin et al.	296/97.6
4,298,912	A	11/1981	Dearth	
4,443,834	A	4/1984	Schafer et al.	
4,519,018	A	5/1985	Rowland	
4,628,417	A	12/1986	Kaminiski et al.	
D310,810	S *	9/1990	Lewis	D12/191

D338,194	S *	8/1993	Hartwig	D14/450
5,249,835	A *	10/1993	Emoto	296/97.6
5,283,683	A *	2/1994	Yamamoto	359/229
D350,342	S *	9/1994	Sack	D14/450
5,356,192	A *	10/1994	Schierau	296/97.6
5,442,530	A *	8/1995	Viertel et al.	362/137
D361,993	S *	9/1995	Egly et al.	D14/450
5,466,029	A *	11/1995	Zetterlund	296/97.8
5,577,789	A	11/1996	Alexander	

(Continued)

*Primary Examiner* — Kevin Rudzinski

(74) *Attorney, Agent, or Firm* — PatentBest; Andrew McAleavey

(57) **CLAIM**

The ornamental design for a light shield for an overhead light, as shown and described.

**DESCRIPTION**

FIG. 1 is a perspective view of a light shield for an overhead light, shown as installed on a vehicle overhead light, illustrating my new design;

FIG. 2 is a perspective view of the light shield of FIG. 1 in an uninstalled configuration;

FIG. 3 is an elevational view of one side of the light shield of FIG. 1;

FIG. 4 is an elevational view of the other side of the light shield of FIG. 1;

FIG. 5 is an elevational view of one end of the light shield of FIG. 1;

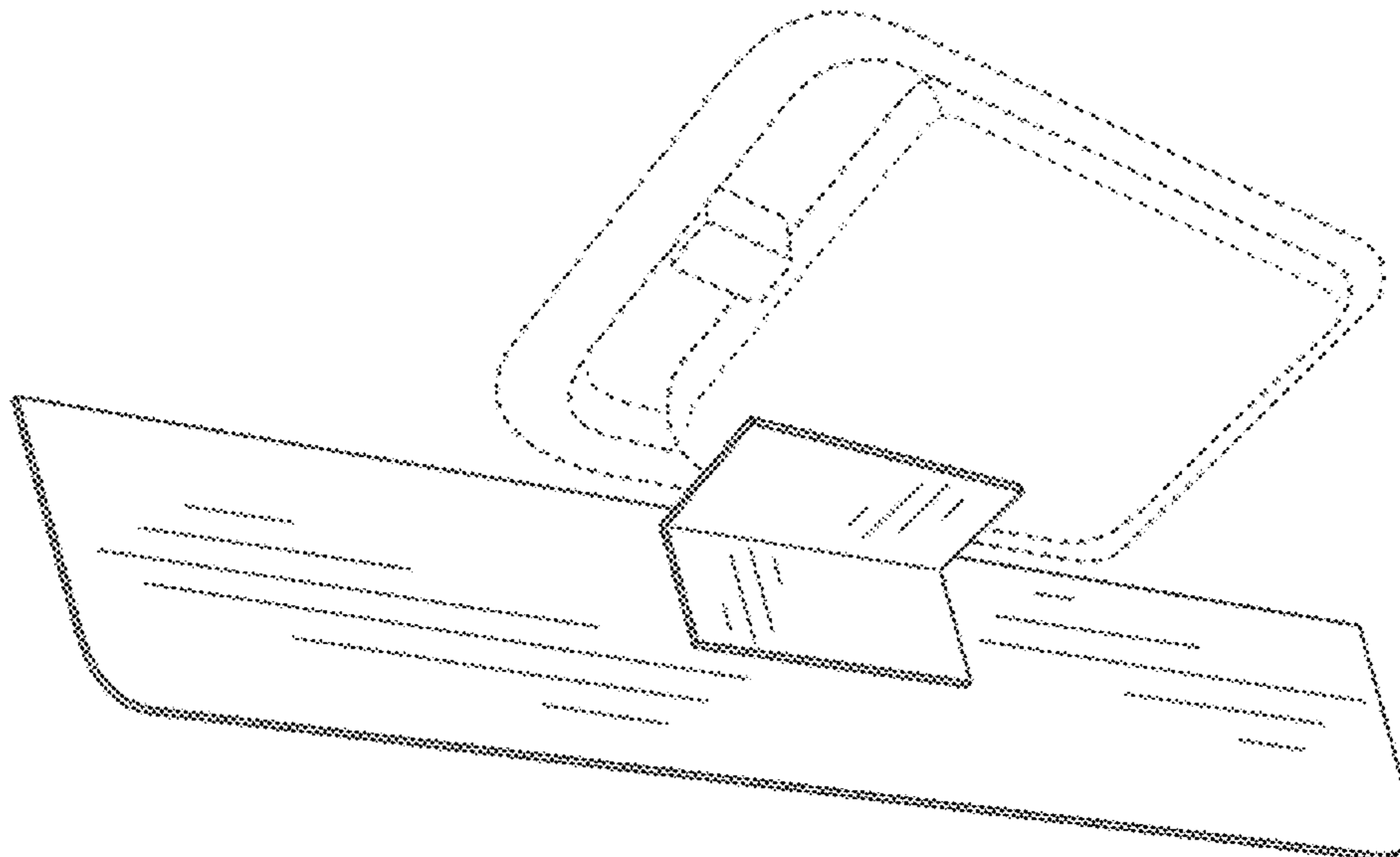
FIG. 6 is an elevational view of the other end of the light shield of FIG. 1;

FIG. 7 is a top plan view of the light shield of FIG. 1; and,

FIG. 8 is a bottom plan view of the light shield of FIG. 1.

In the figures, the broken lines are directed to environment and are for illustrative purposes only; the broken lines form no part of the claimed invention.

**1 Claim, 4 Drawing Sheets**



# US D674,959 S

Page 2

---

## U.S. PATENT DOCUMENTS

5,611,590	A *	3/1997	Filgueiras .....	296/97.5	D443,573	S *	6/2001	Finlayson et al. ....	D12/191
5,678,880	A *	10/1997	Keller .....	296/97.6	6,257,745	B1	7/2001	Speth et al.	
D398,915	S *	9/1998	Shaffer .....	D14/450	D461,022	S *	7/2002	Eberlein et al. ....	D26/118
5,873,620	A *	2/1999	Lu .....	296/97.5	6,471,378	B1	10/2002	Ziegerer et al.	
6,012,758	A *	1/2000	Fisher .....	296/97.6	6,899,371	B1 *	5/2005	Hammond .....	296/97.6
6,176,539	B1 *	1/2001	Westerman .....	296/97.6					

\* cited by examiner

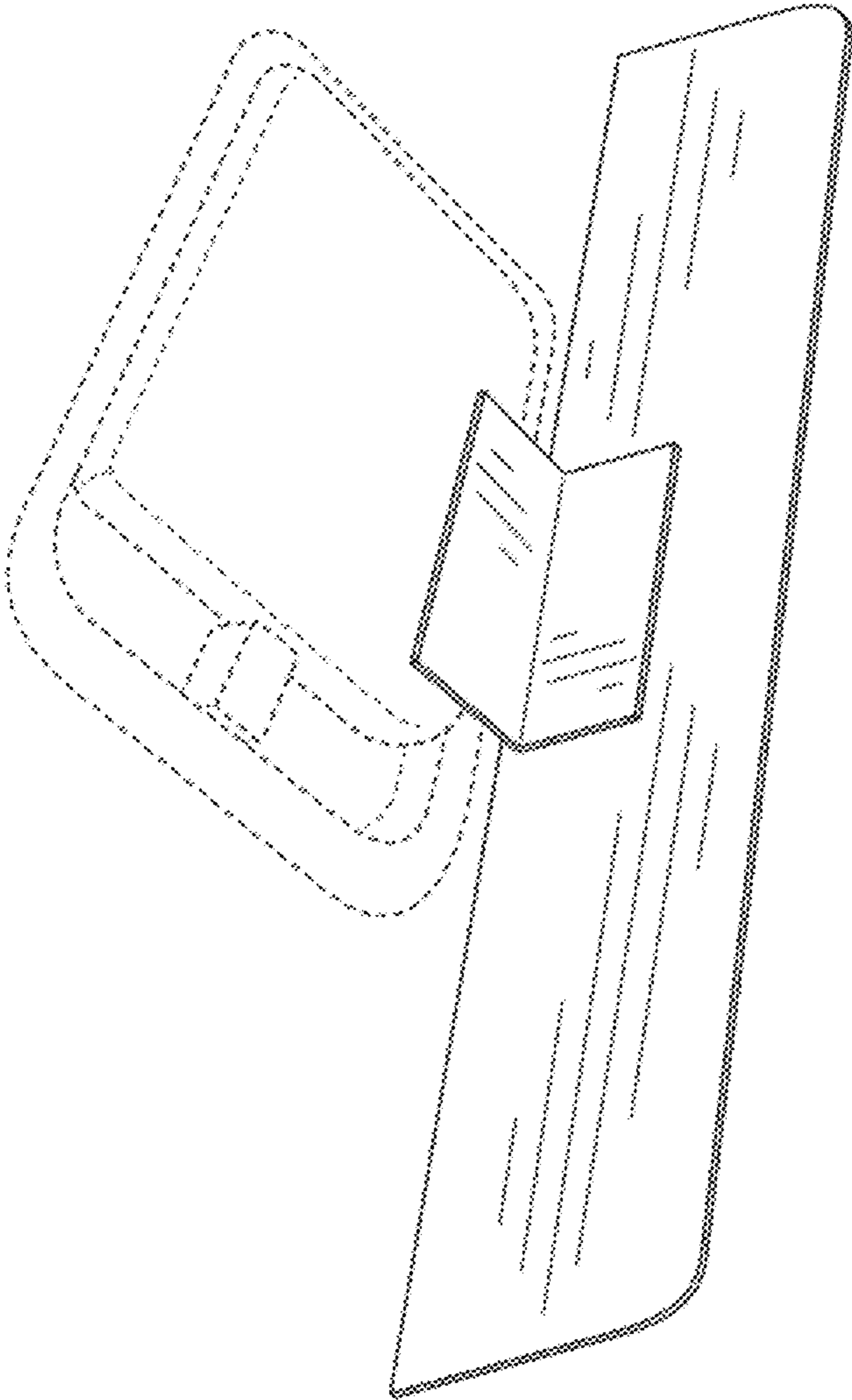


FIG. 1

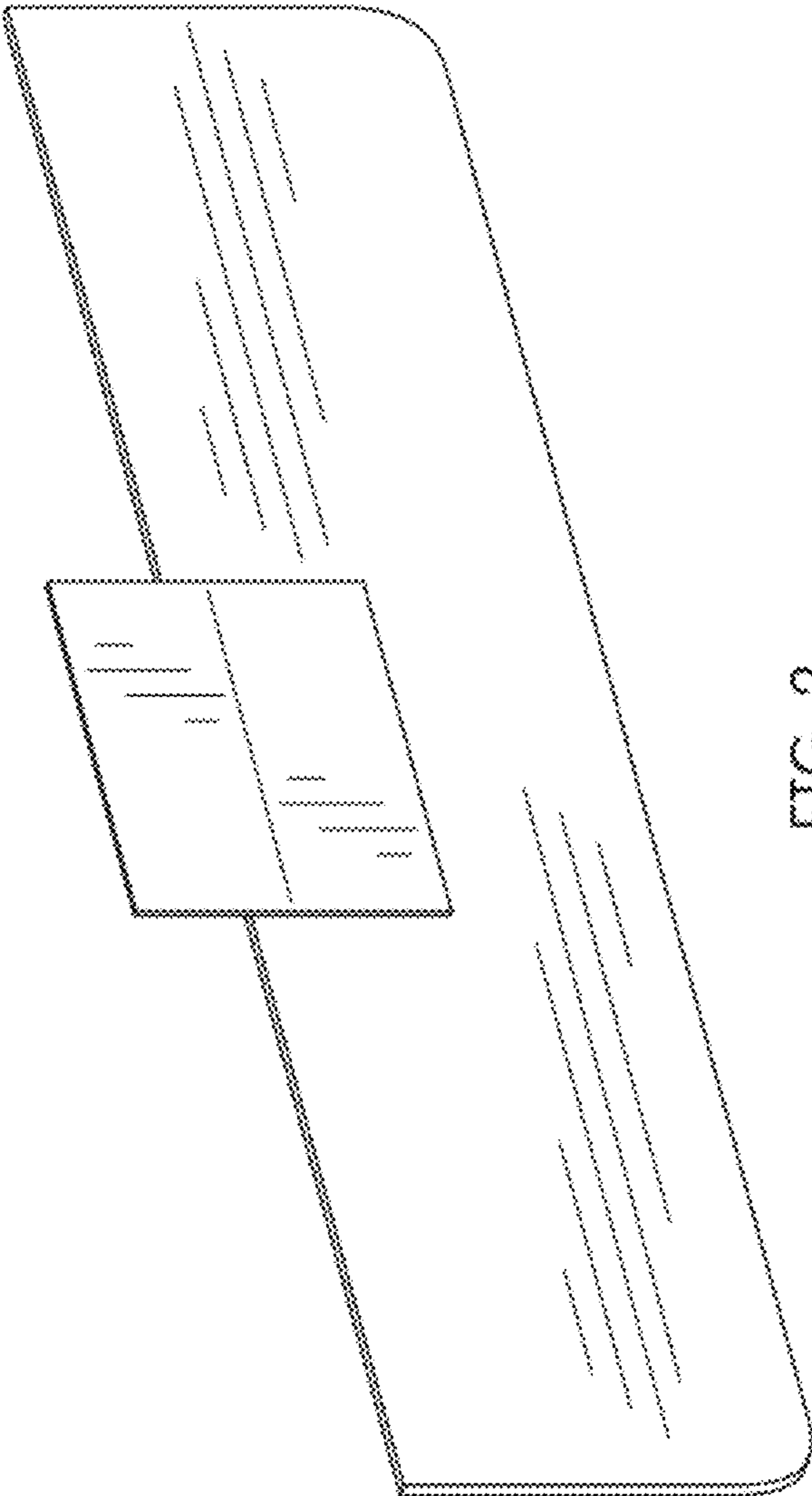


FIG. 2

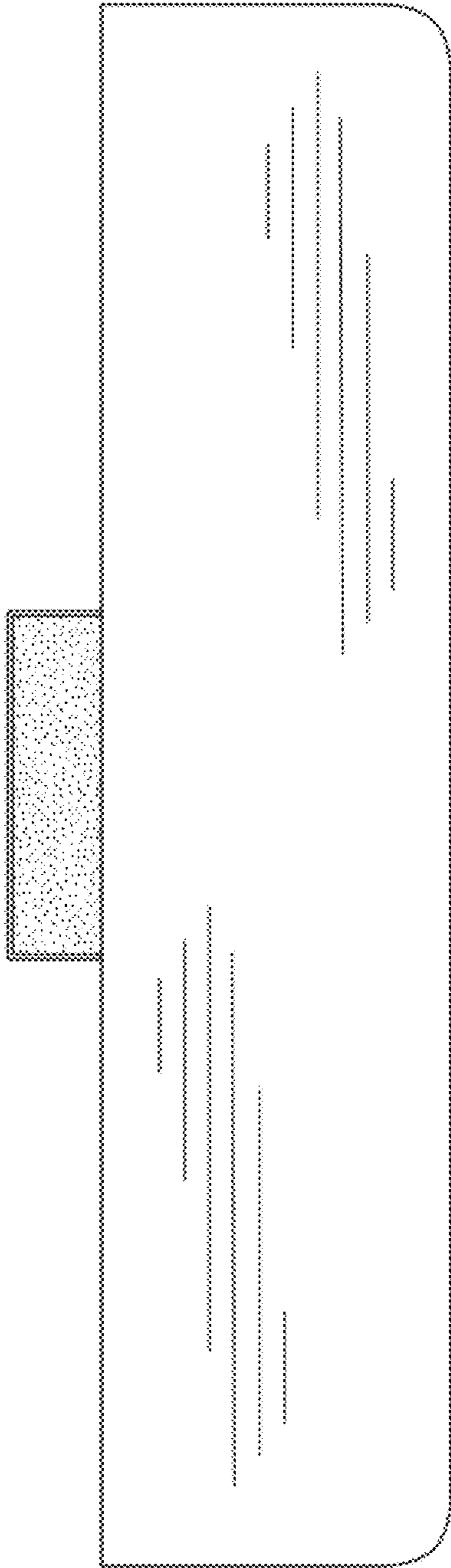


FIG. 3

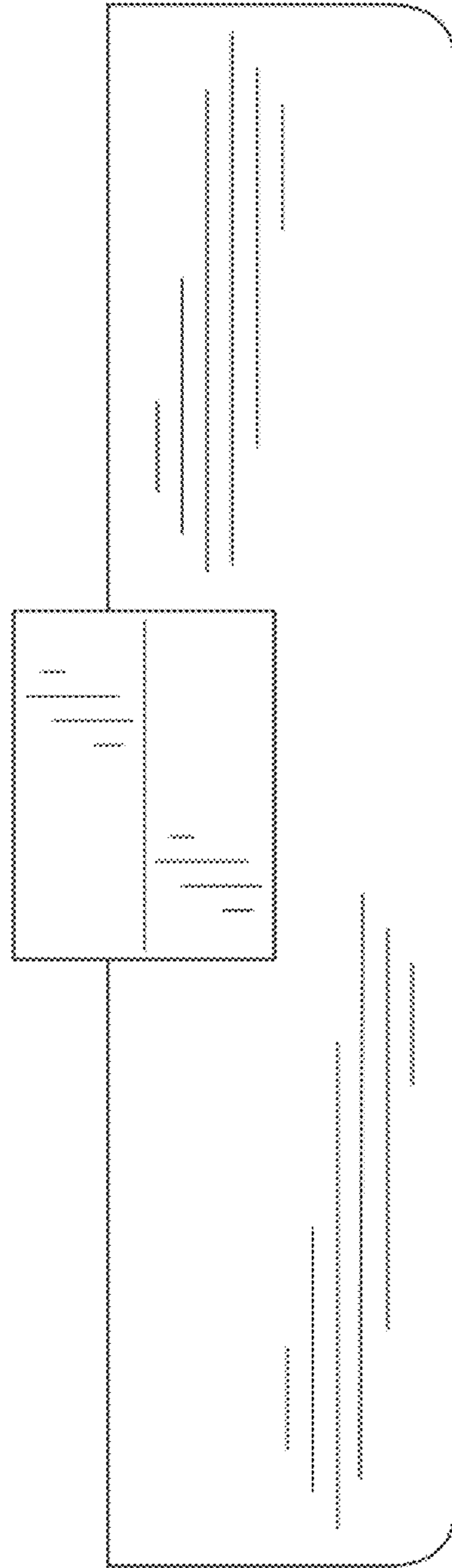


FIG. 4



FIG. 5



FIG. 6

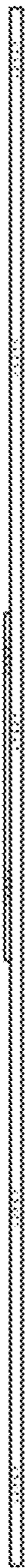


FIG. 7

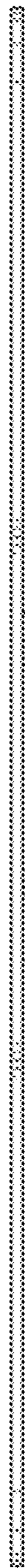


FIG. 8