



US00D674958S

(12) **United States Design Patent**  
**Ng et al.**

(10) **Patent No.:** **US D674,958 S**  
(45) **Date of Patent:** **\*\* Jan. 22, 2013**

(54) **LAMP**

(75) Inventors: **Kenneth Ng**, Alhambra, CA (US);  
**Edmund Ng**, Pasadena, CA (US); **Peter Ng**, Hong Kong (CN)

(73) Assignee: **Koncept Technologies Inc.**, Monrovia, CA (US)

(\*\*) Term: **14 Years**

(21) Appl. No.: **29/416,727**

(22) Filed: **Mar. 26, 2012**

(51) **LOC (9) Cl.** ..... **26-03**

(52) **U.S. Cl.** ..... **D26/106; D26/93**

(58) **Field of Classification Search** ..... D26/1,  
D26/24, 67, 93-94, 104-112; 362/3, 153,  
362/186, 217, 255, 257, 277, 317, 351, 353,  
362/362, 382, 431, 433, 458, 806  
See application file for complete search history.

(56) **References Cited**

**U.S. PATENT DOCUMENTS**

D76,276 S *	9/1928	Wolter .....	D26/105
D112,639 S *	12/1938	Higgins .....	D26/112
D204,793 S *	5/1966	Rodriguez .....	D26/93
D280,348 S *	8/1985	Pupulidy .....	D26/93
D328,152 S *	7/1992	Benghozi .....	D26/106
D370,071 S *	5/1996	Sonneman .....	D26/106

D414,289 S *	9/1999	Diaz-Azcuy .....	D26/110
D433,176 S *	10/2000	Barry .....	D26/112
D484,271 S *	12/2003	Chandler .....	D26/93
D536,474 S *	2/2007	Chandler .....	D26/93
D577,457 S *	9/2008	Chandler .....	D26/93
D641,906 S *	7/2011	Lee et al. ....	D26/63
D644,373 S *	8/2011	Verelst .....	D26/106

\* cited by examiner

*Primary Examiner* — Brian N Vinson

(74) *Attorney, Agent, or Firm* — Foley & Lardner LLP

(57) **CLAIM**

The ornamental design for a lamp, as shown.

**DESCRIPTION**

FIG. 1 is a perspective view of a lamp showing our new design;

FIG. 2 is a right side view thereof;

FIG. 3 is a left side view thereof;

FIG. 4 is a rear view thereof;

FIG. 5 is a front view thereof;

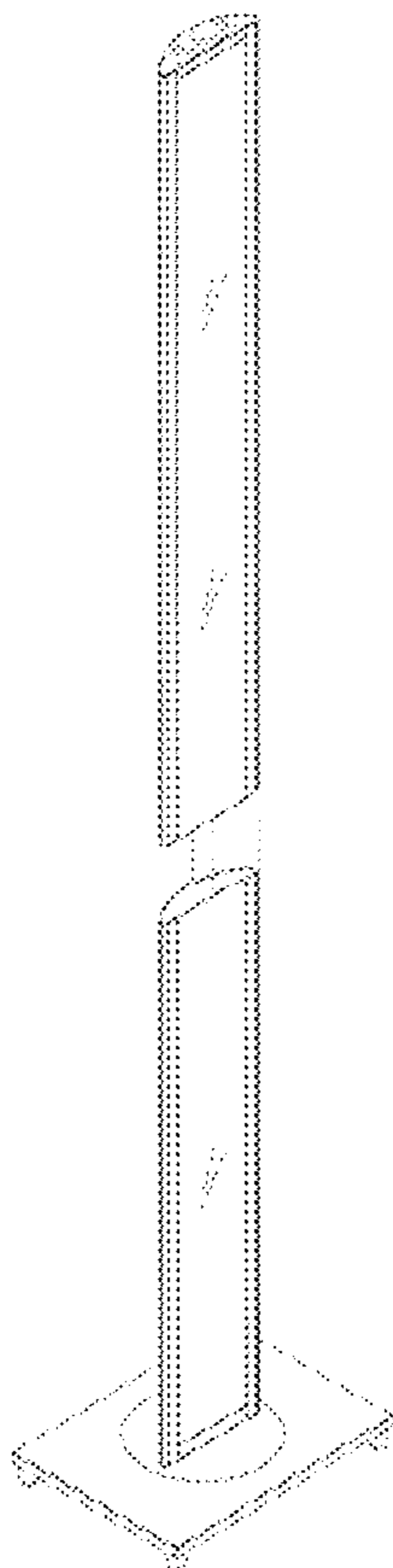
FIG. 6 is a top view thereof; and,

FIG. 7 is a bottom view thereof.

Elements of the lamp have been broken away in all figures of the drawing to indicate that no particular length is claimed.

Elements drawn in broken lines are understood to be for illustrative purposes only and form no part of the claimed design.

**1 Claim, 4 Drawing Sheets**



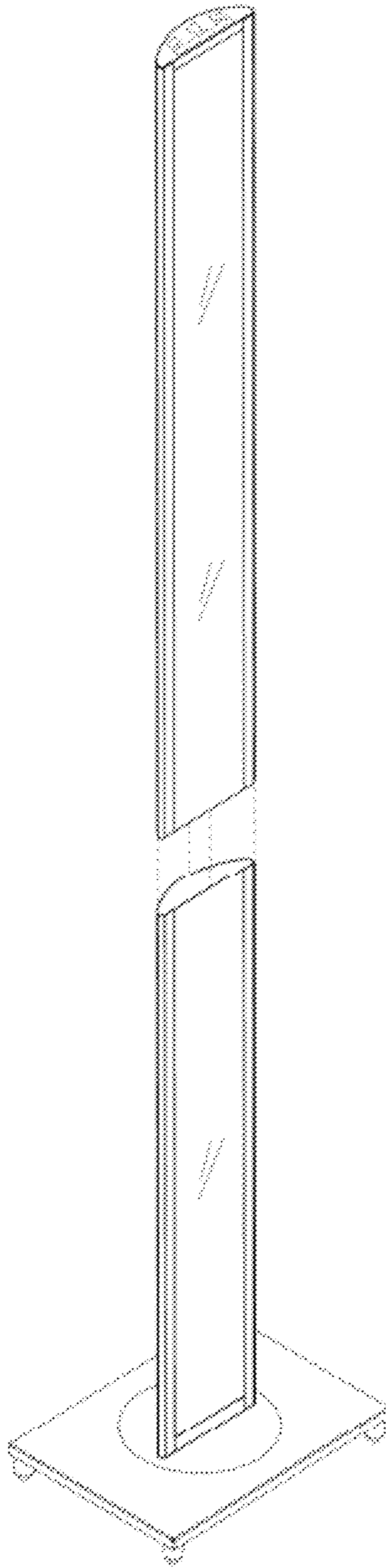


FIG. 1

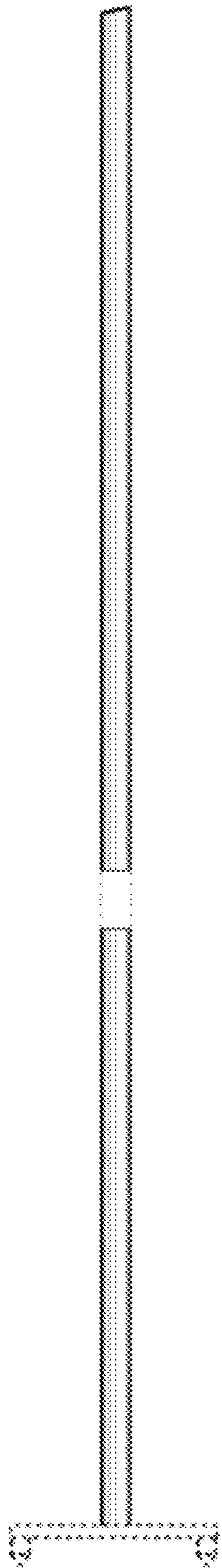


FIG. 2

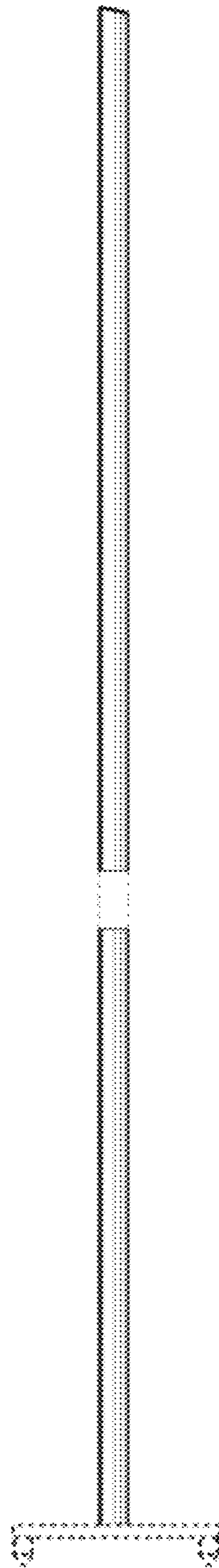


FIG. 3

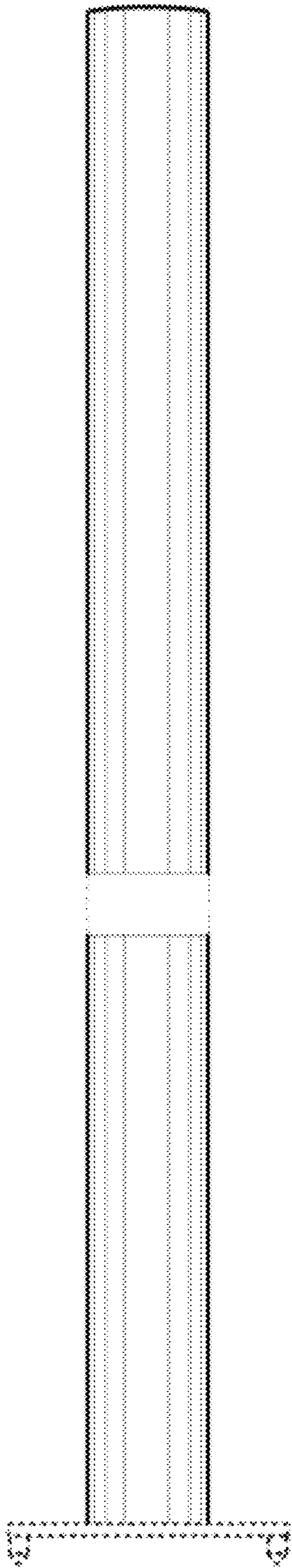


FIG. 4

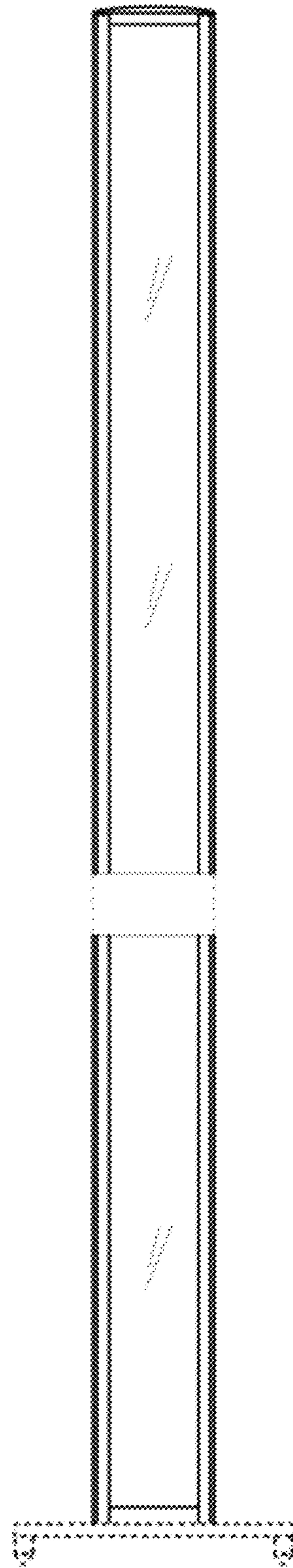


FIG. 5

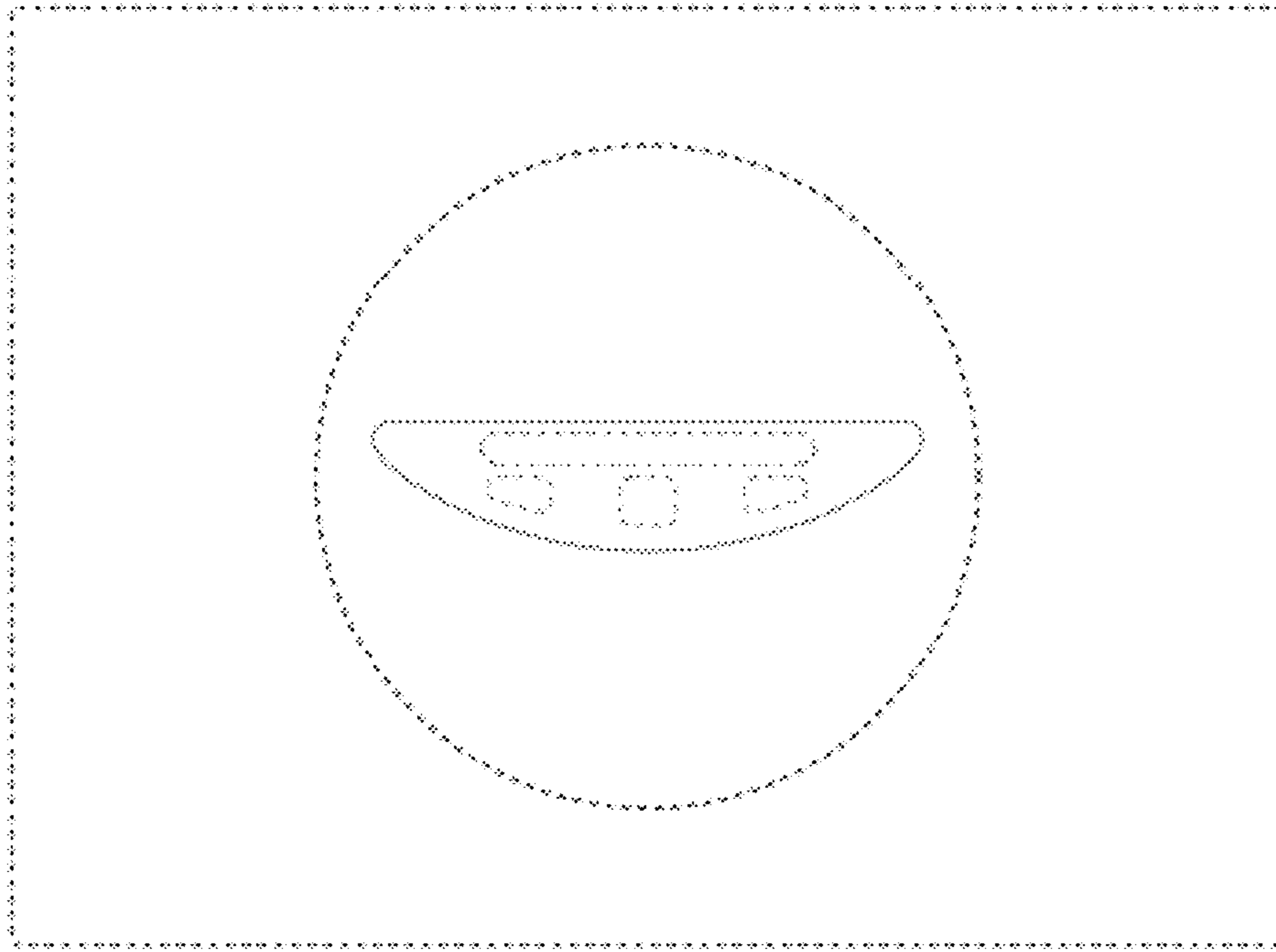


FIG. 6



FIG. 7