



US00D674956S

(12) **United States Design Patent**
Sanborn

(10) **Patent No.:** **US D674,956 S**
(45) **Date of Patent:** **** Jan. 22, 2013**

(54) **MEMORABILIA LAMP**

(76) Inventor: **Wayne Farrell Sanborn**, Ashburnham,
MA (US)

(**) Term: **14 Years**

(21) Appl. No.: **29/412,295**

(22) Filed: **Feb. 1, 2012**

(51) **LOC (9) Cl.** **26-03**

(52) **U.S. Cl.** **D26/93; D26/107**

(58) **Field of Classification Search** D26/24,
D26/61-67, 93, 102, 104-105; 362/509,
362/516, 523, 186, 217, 255, 257, 277, 317,
362/319, 351, 354, 355, 357, 358, 362, 382,
362/410, 413, 417, 806

See application file for complete search history.

(56) **References Cited**

U.S. PATENT DOCUMENTS

D99,390 S *	4/1936	Clifford	D26/106
D125,924 S *	3/1941	Murray	D26/109
D146,555 S *	4/1947	Chamness	D26/107
2,745,950 A *	5/1956	Tseng	D26/107
D473,968 S *	4/2003	Matovinovic	D26/102

OTHER PUBLICATIONS

Ikea Catalogue "Kroby Lamp" p. 309.*

* cited by examiner

Primary Examiner — Brian N Vinson

(74) *Attorney, Agent, or Firm* — Lambert & Associates;
Gary E. Lambert; David J. Connaughton

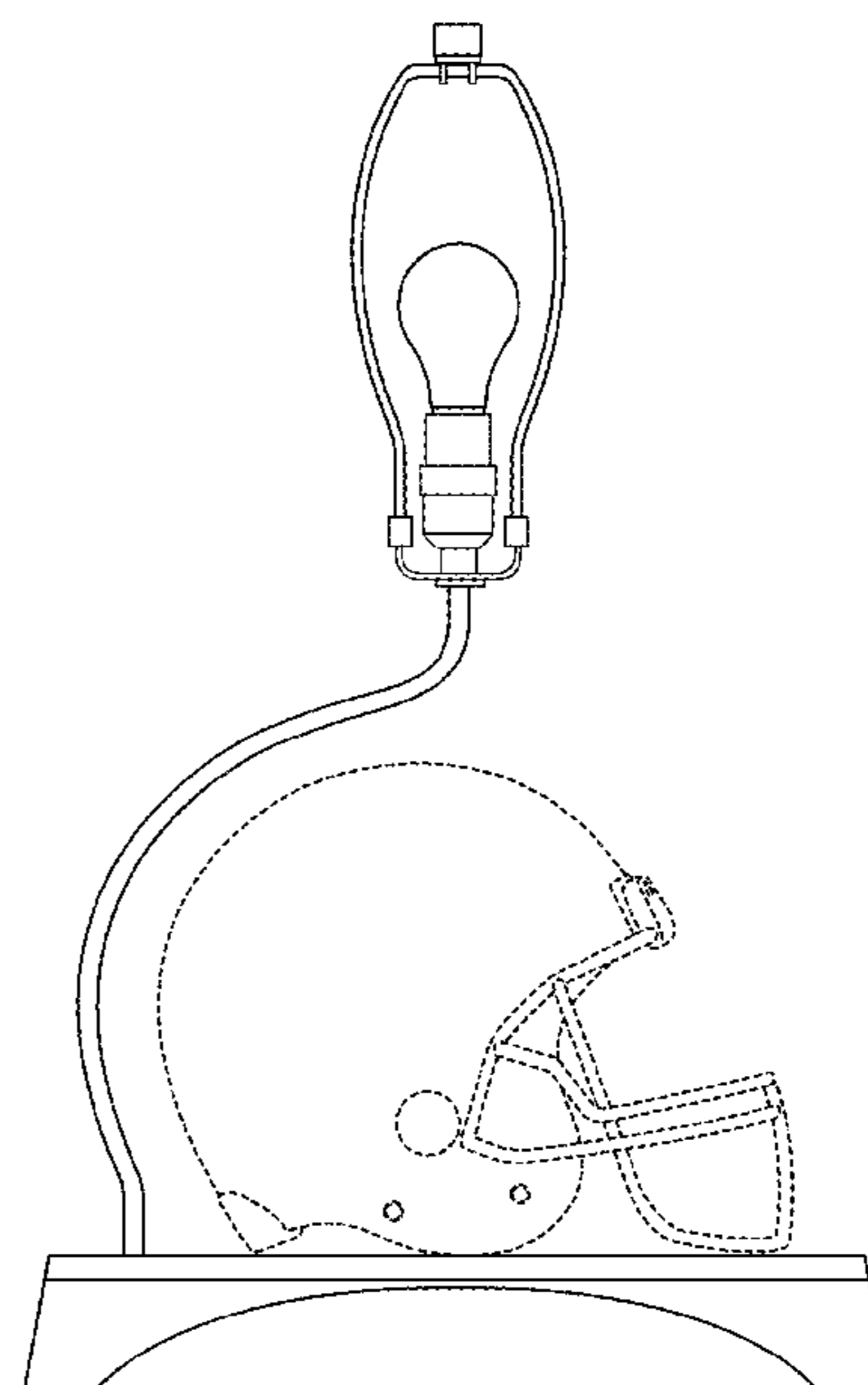
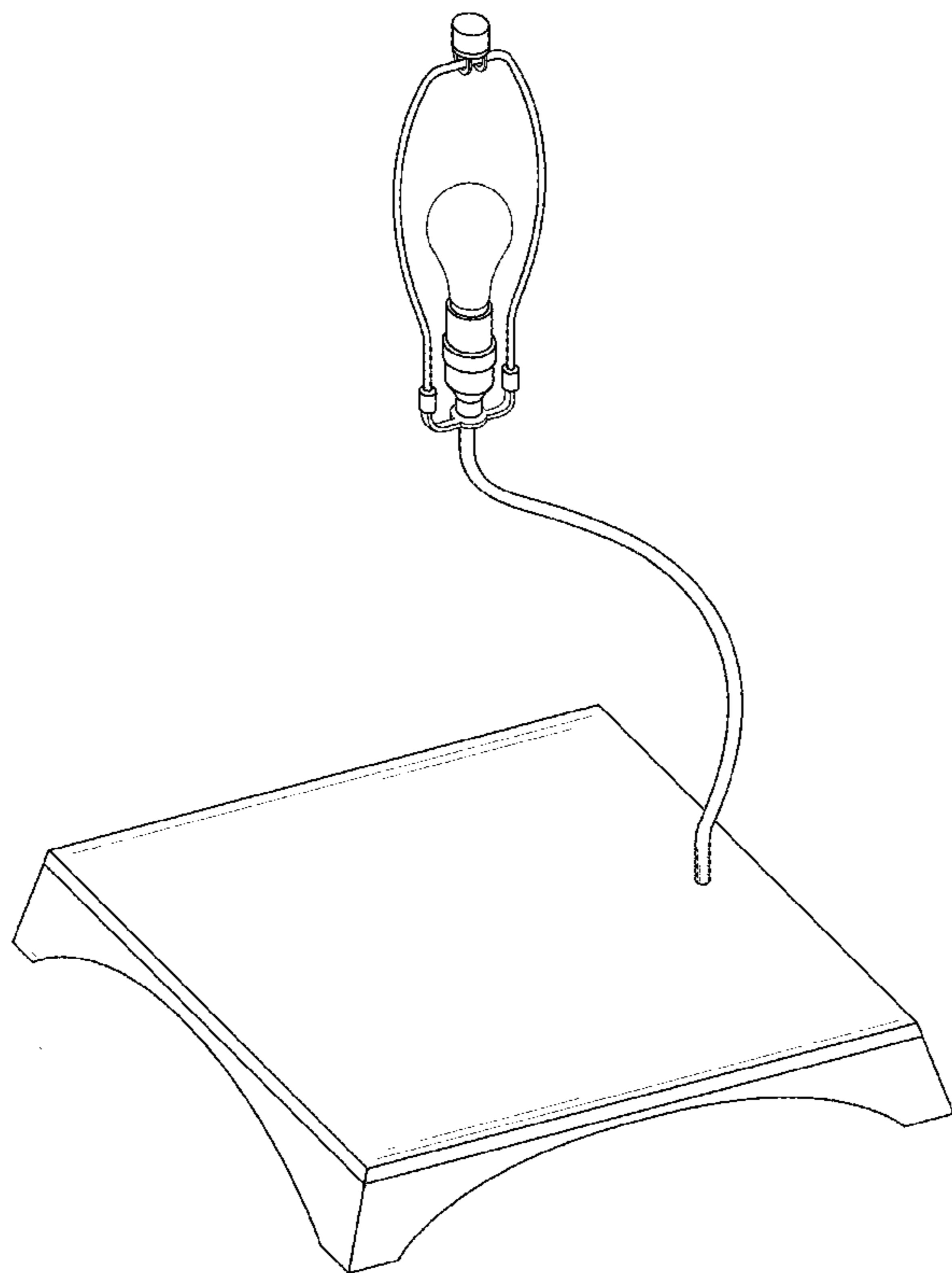
(57) **CLAIM**

The ornamental design for a memorabilia lamp, as shown and described.

DESCRIPTION

FIG. 1 is a top, front, and left side perspective view of a memorabilia lamp showing my new design; FIG. 2 is a rear elevational view thereof, with the broken-line disclosure of football memorabilia being shown for illustrative purposes only and forming no part of the claimed design; FIG. 3 is a top plan view thereof; FIG. 4 is a bottom plan view thereof; FIG. 5 is a side elevational view thereof; and, FIG. 6 is an opposite side elevational view thereof.

1 Claim, 4 Drawing Sheets



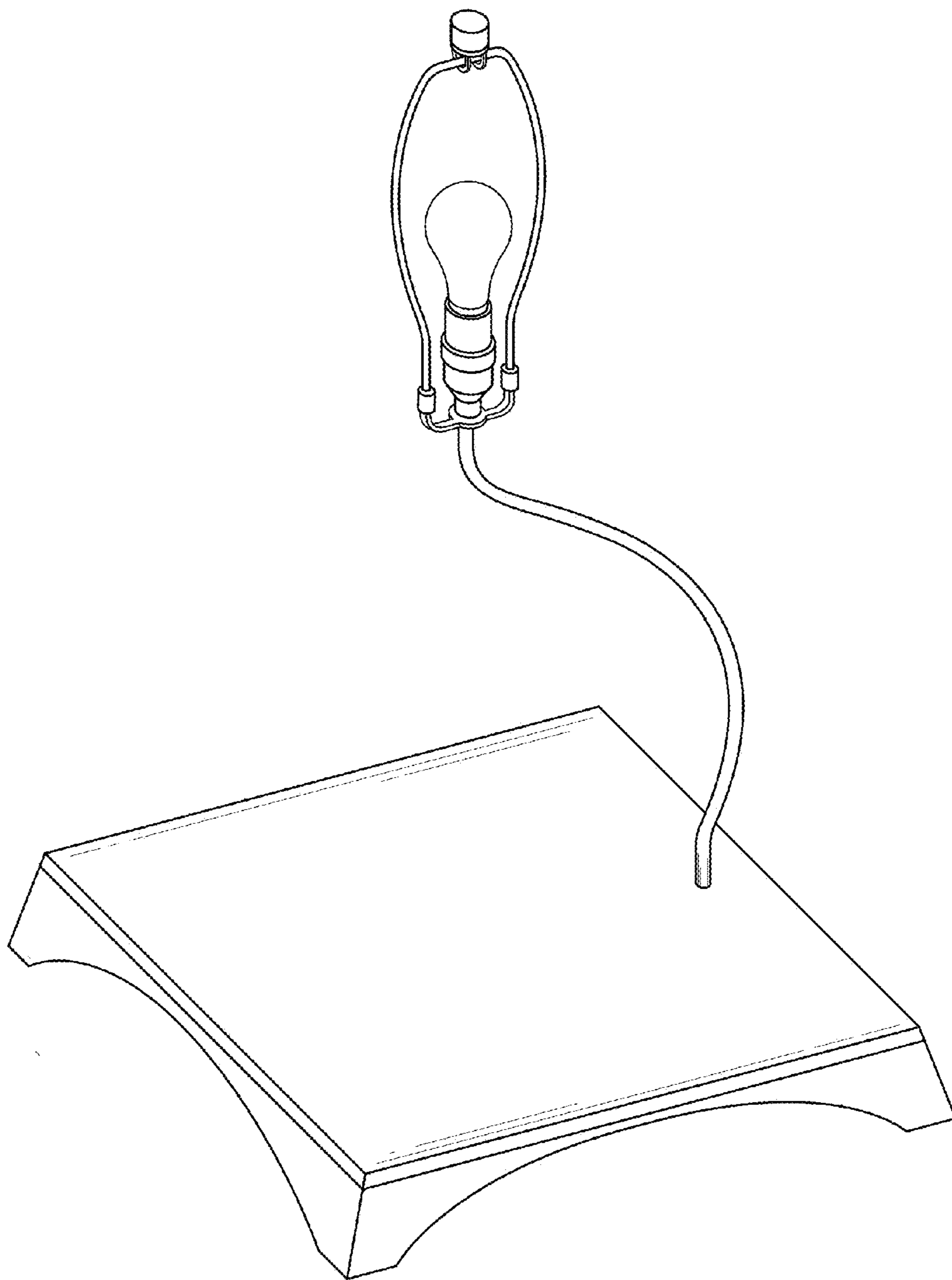


Fig. 1

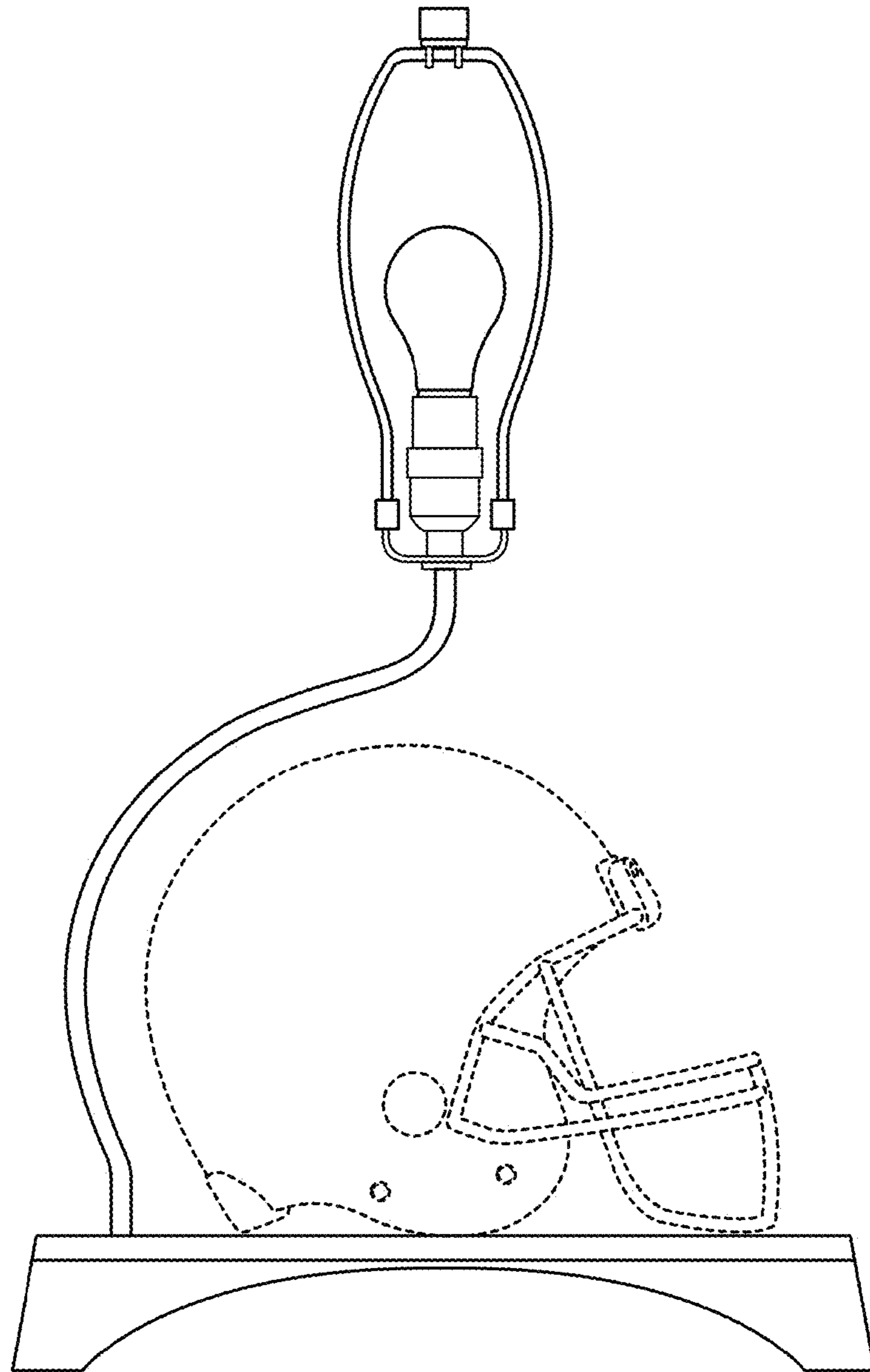


Fig. 2

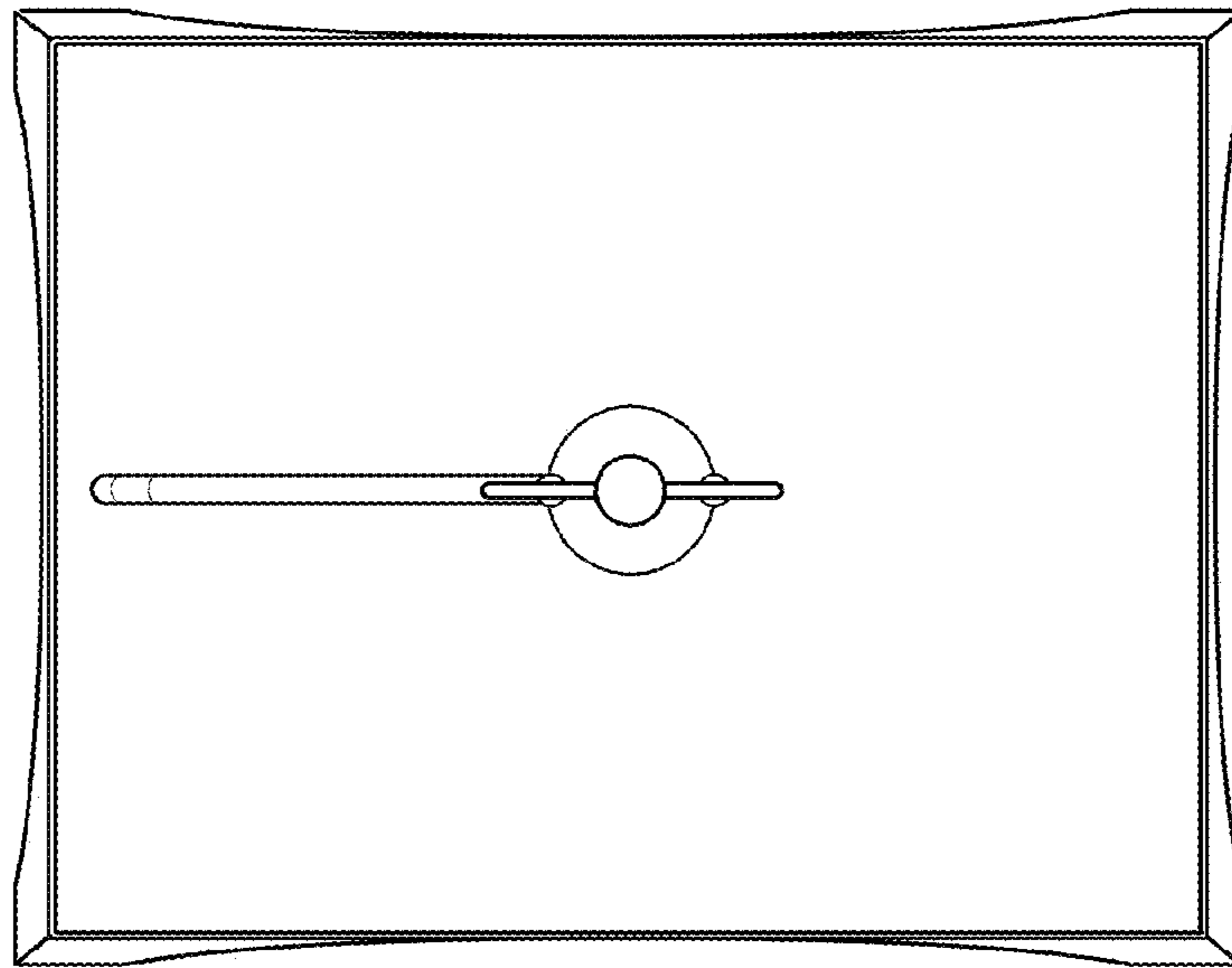


Fig. 3

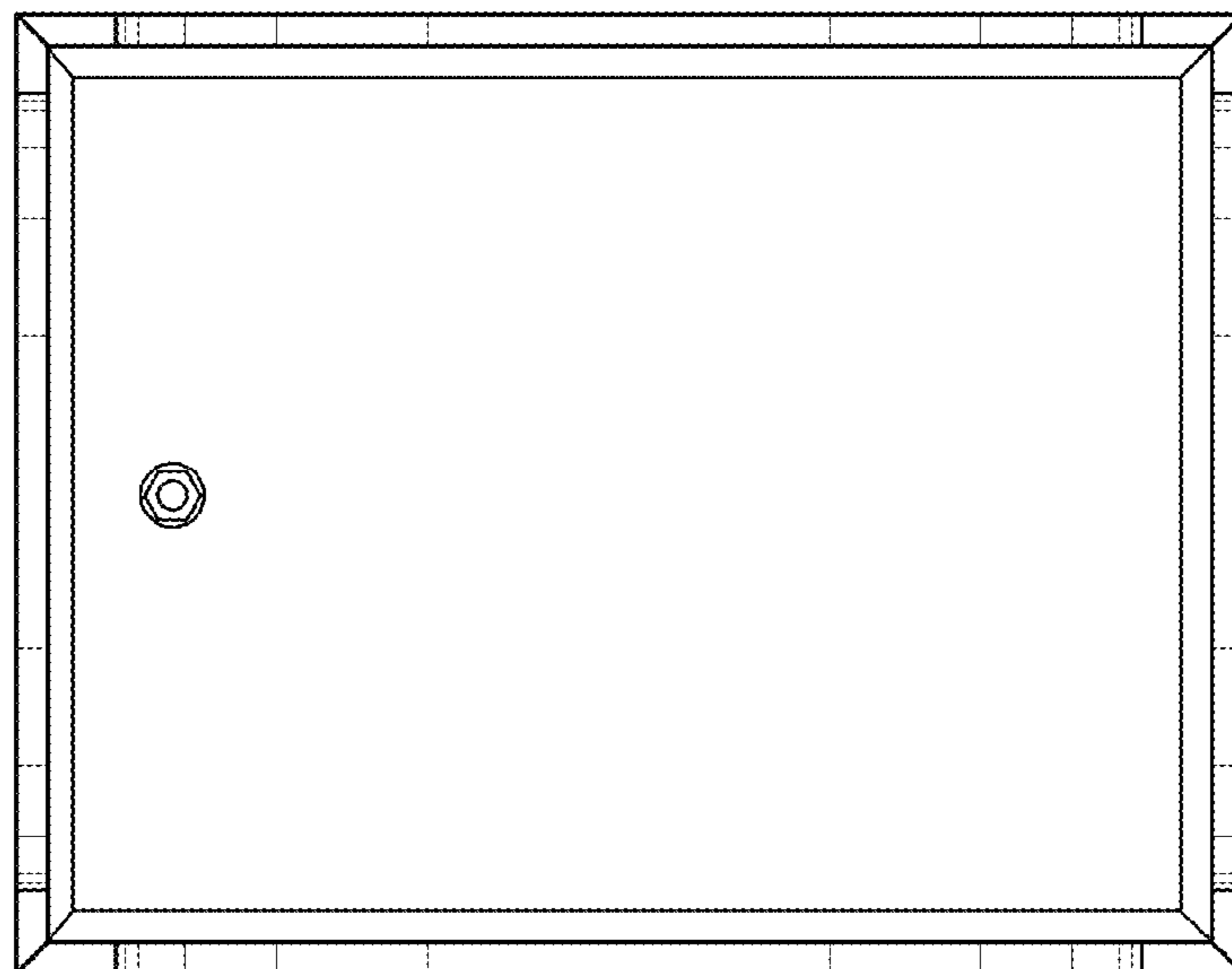


Fig. 4

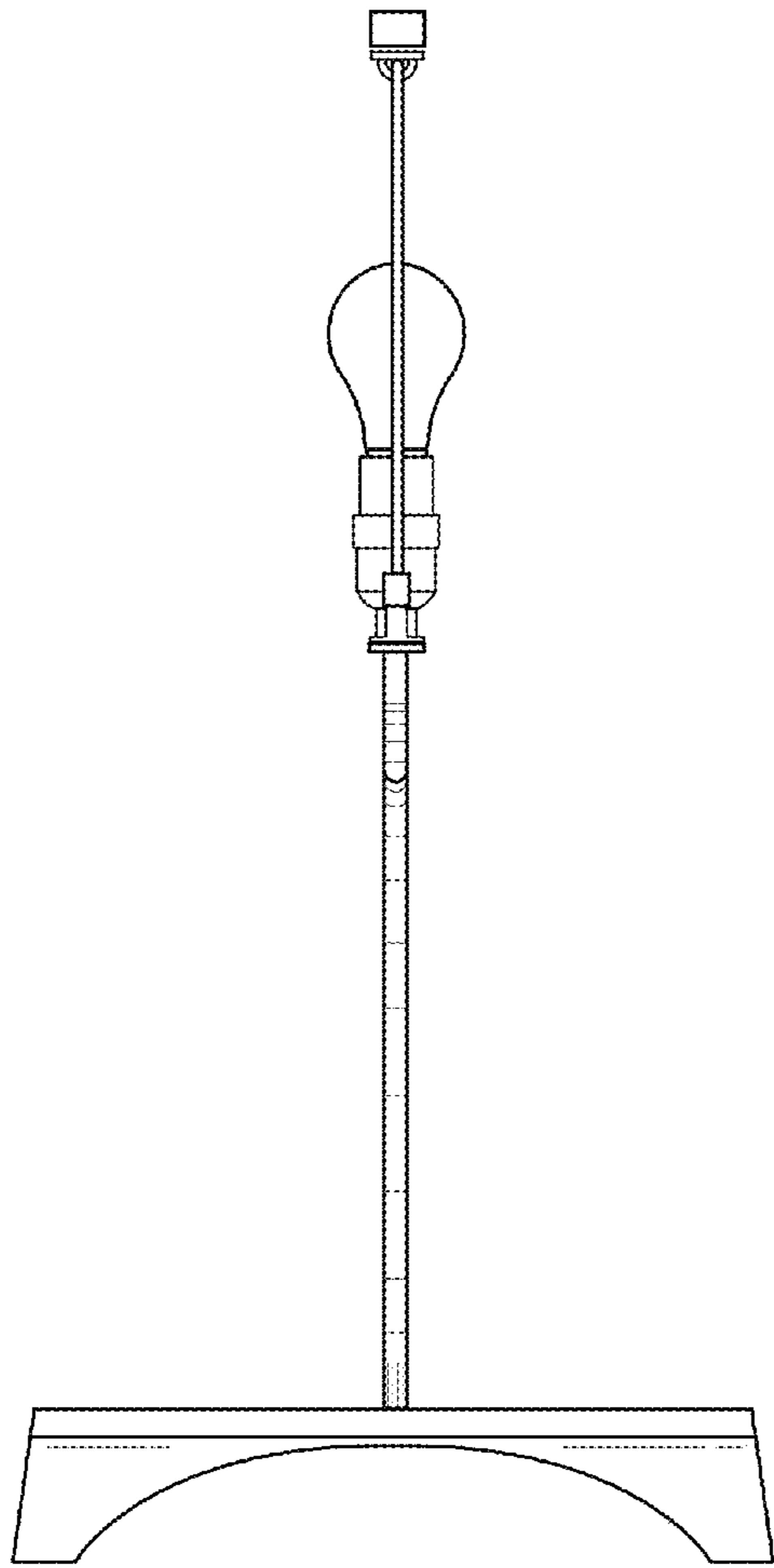


Fig. 5

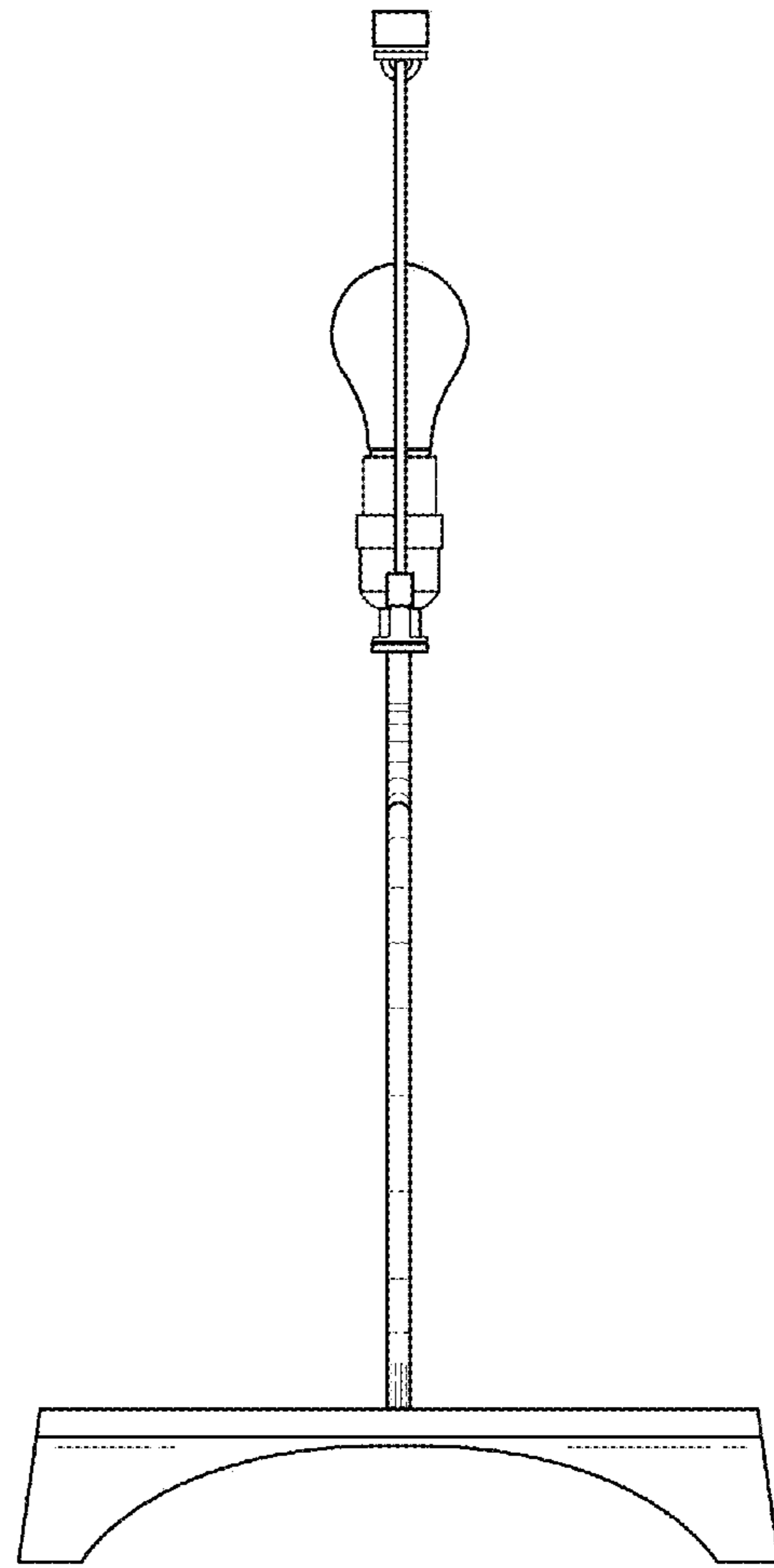


Fig. 6