



US00D674954S

(12) **United States Design Patent**
Sonneman

(10) **Patent No.:** **US D674,954 S**
(45) **Date of Patent:** **** Jan. 22, 2013**

(54) **LIGHT FIXTURE WITH A VARIETY OF LIGHT CLUSTERS**

(76) Inventor: **Robert A. Sonneman**, Mamaroneck, NY (US)

(**) Term: **14 Years**

(21) Appl. No.: **29/428,450**

(22) Filed: **Jul. 31, 2012**

Related U.S. Application Data

(62) Division of application No. 29/416,894, filed on Mar. 28, 2012.

(51) **LOC (9) Cl.** **26-03**

(52) **U.S. Cl.** **D26/88; D26/90**

(58) **Field of Classification Search** D26/72, D26/75, 76, 80, 83, 84, 86, 87, 88-92, 93, D26/102, 124, 128; 362/147, 404-408, 432
See application file for complete search history.

(56) **References Cited**

U.S. PATENT DOCUMENTS

D63,702 S *	1/1924	Sinkins	D26/91
D122,864 S *	10/1940	Dreyfuss	D26/75
D155,340 S *	9/1949	Frisbie	D26/93
3,212,713 A *	10/1965	Chatten	239/17
D233,249 S *	10/1974	Lubge et al.	D26/102
D235,914 S *	7/1975	Schacht	D26/84
D240,156 S *	6/1976	von Serda	D26/128
D240,653 S *	7/1976	Eftekhar	D26/80
D241,066 S *	8/1976	Schacht	D26/81
D246,399 S *	11/1977	Harris	D26/84
D261,688 S *	11/1981	Kvasnicka	D26/102
D293,030 S *	12/1987	Vladescu	D26/107

D342,339 S *	12/1993	Lin	D26/102
D373,213 S *	8/1996	Porter	D26/84
D438,664 S *	3/2001	Lewis	D26/86
D442,712 S *	5/2001	Boyer	D26/25
D444,904 S *	7/2001	Orozco	D26/86
D465,057 S *	10/2002	Giudicelli	D26/102
D573,299 S *	7/2008	Fanning	D26/153
D590,090 S *	4/2009	Hani	D26/88
D598,602 S *	8/2009	Laarman	D26/84
D617,038 S *	6/2010	Feigenbaum	D26/93
D619,291 S *	7/2010	Thevenot	D26/75
D634,887 S *	3/2011	Kitts	D26/143
D635,709 S *	4/2011	Federico et al.	D26/84
D645,603 S *	9/2011	Overy et al.	D26/93
D647,661 S *	10/2011	Steenhoudt	D26/84
D653,794 S *	2/2012	Friedman	D26/88
D663,884 S *	7/2012	Baylar	D26/88

* cited by examiner

Primary Examiner — Clare E Heflin

(74) *Attorney, Agent, or Firm* — Gottlieb, Backman & Reisman, P.C.

(57) **CLAIM**

The ornamental design for a light fixture with a variety of light clusters, as shown and described.

DESCRIPTION

FIG. 1 is a perspective view of the light fixture with a variety of light clusters showing my new design;
FIG. 2 is a top plan view thereof;
FIG. 3 is a front side elevational view thereof;
FIG. 4 is a right side elevational view thereof;
FIG. 5 is a left side elevational view thereof;
FIG. 6 is a rear elevational view thereof; and,
FIG. 7 is a bottom plan view thereof.

1 Claim, 4 Drawing Sheets

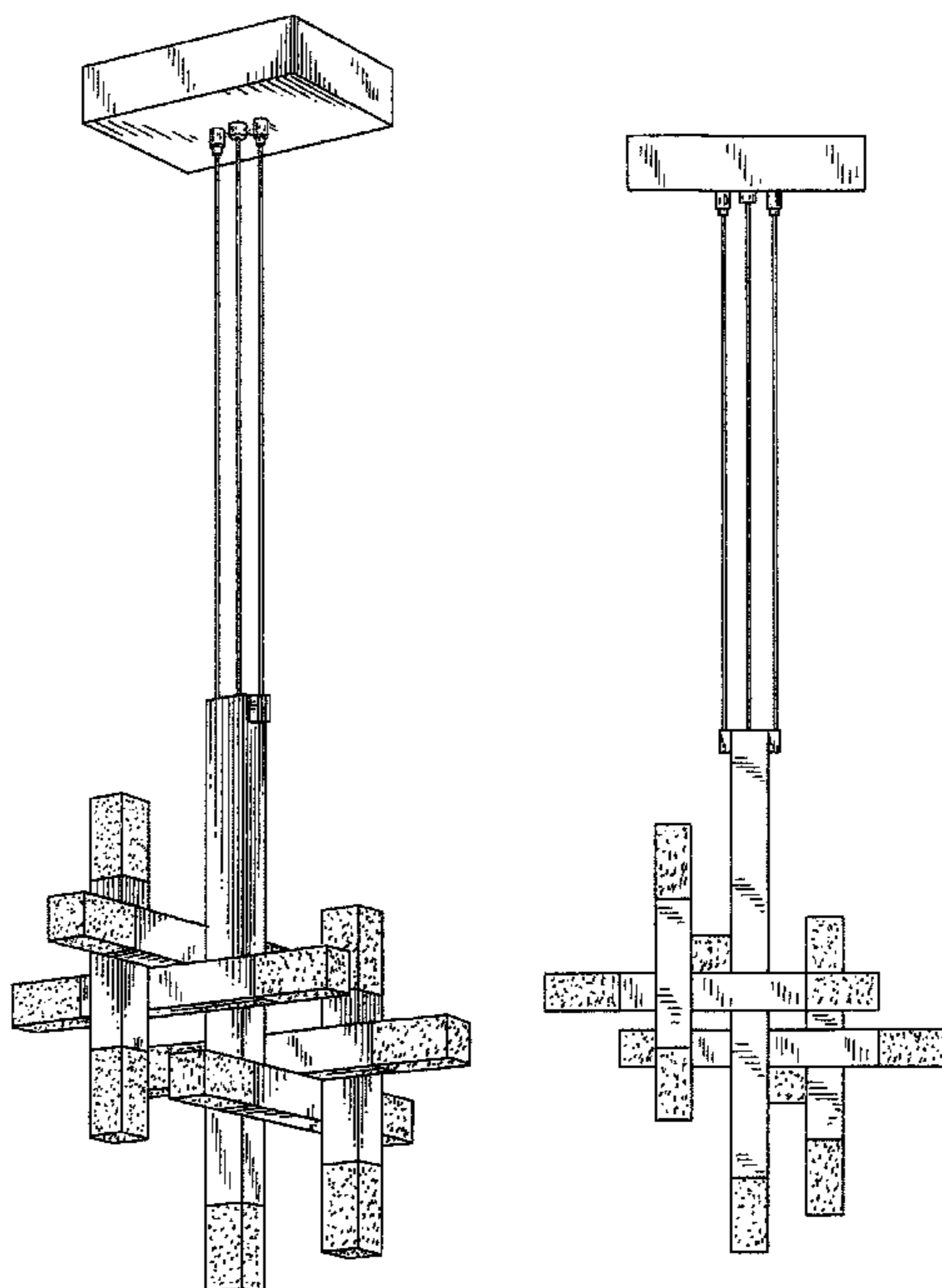


FIG. 1

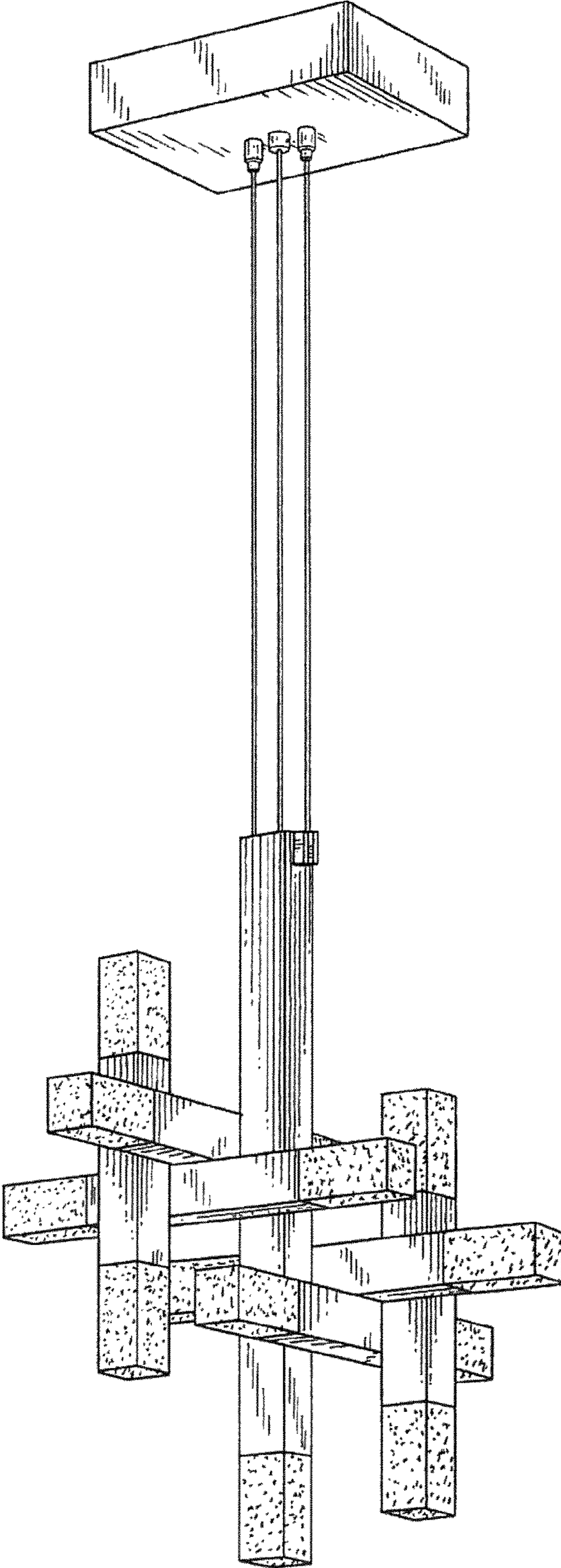


FIG. 2

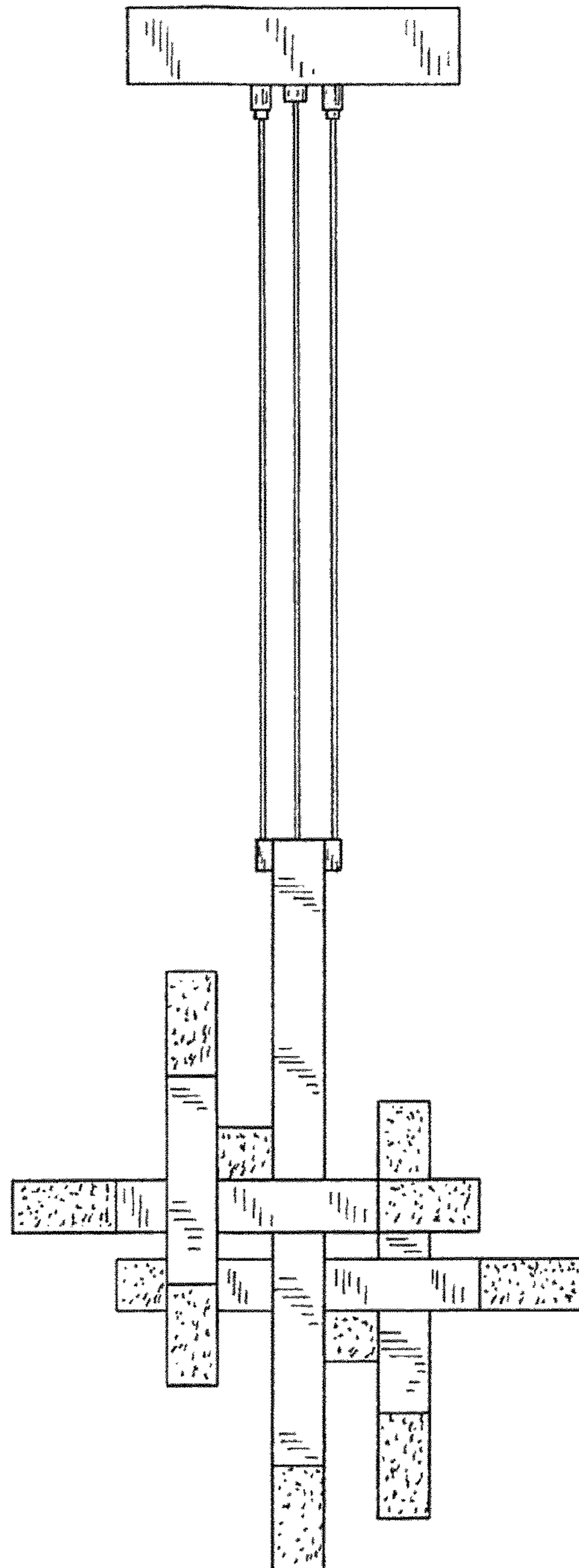
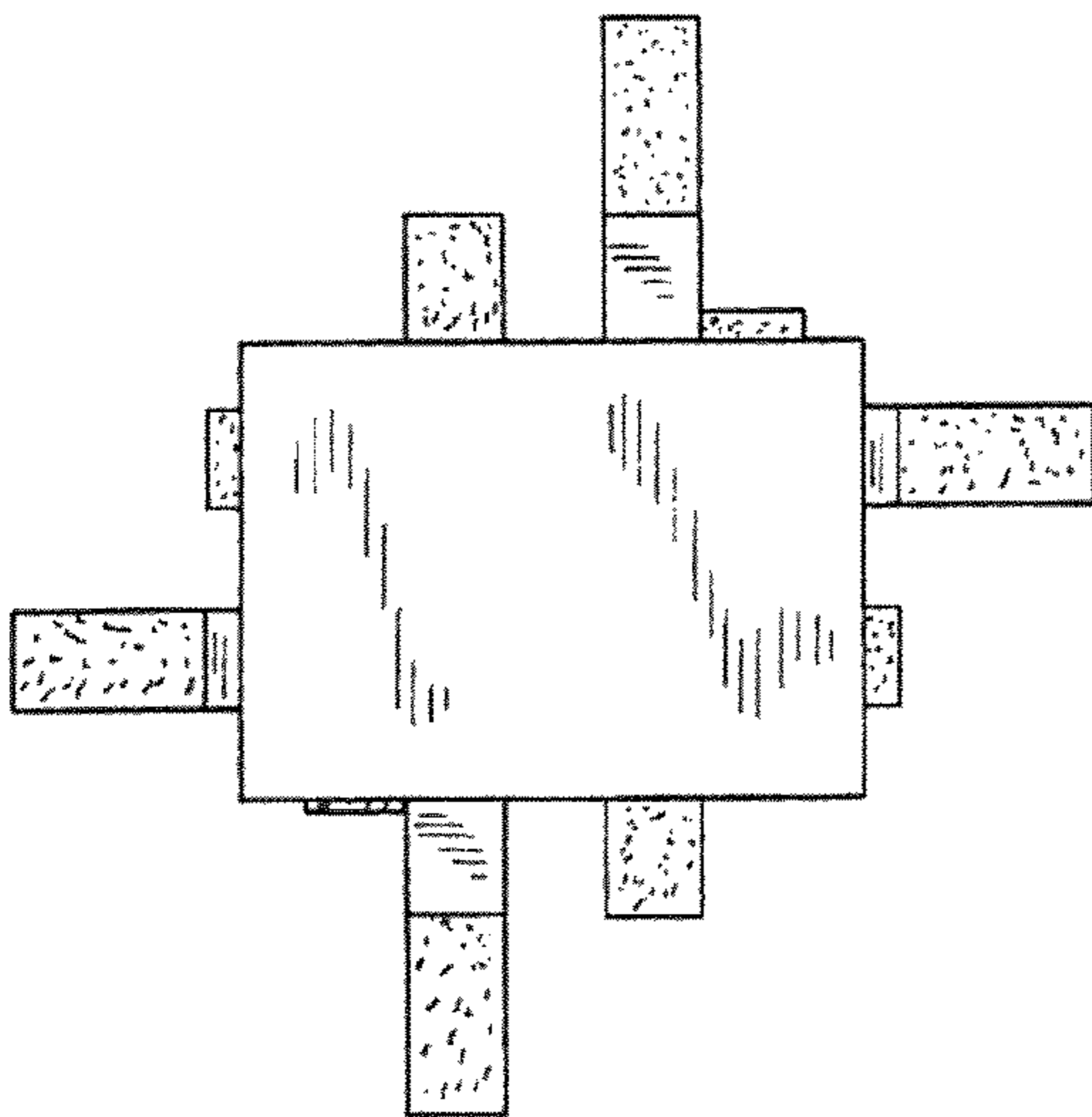


FIG. 3

FIG. 4

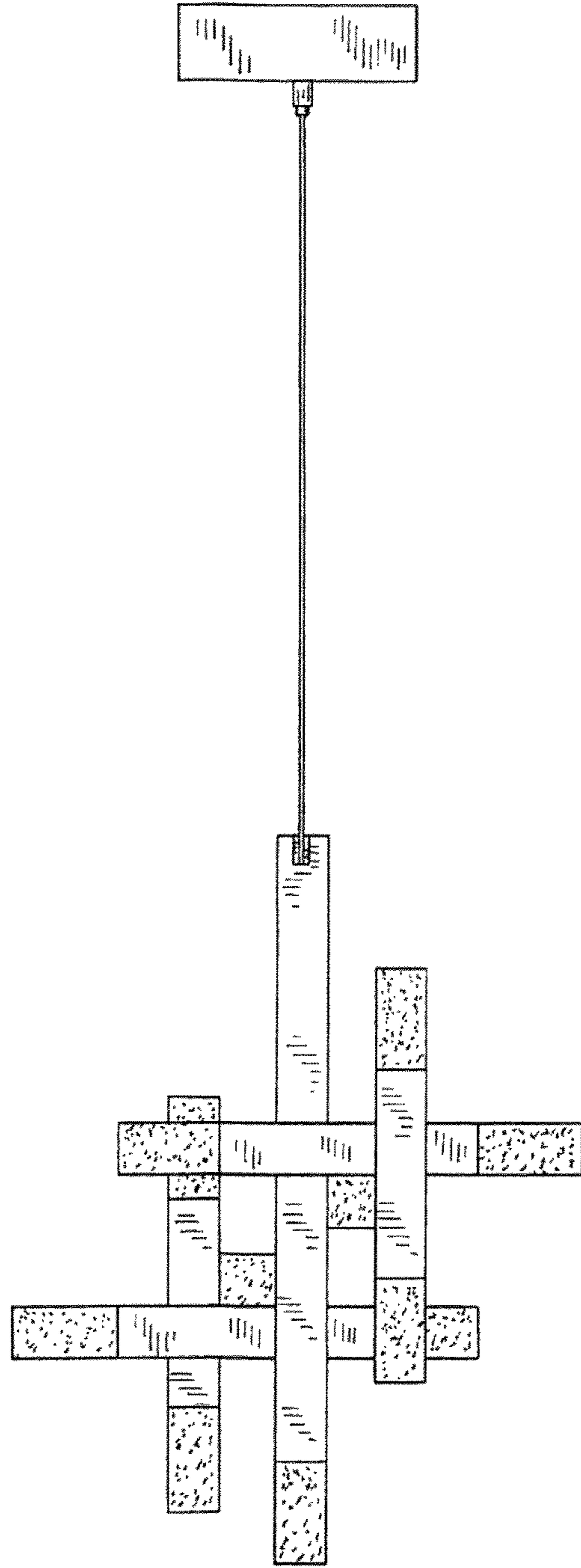
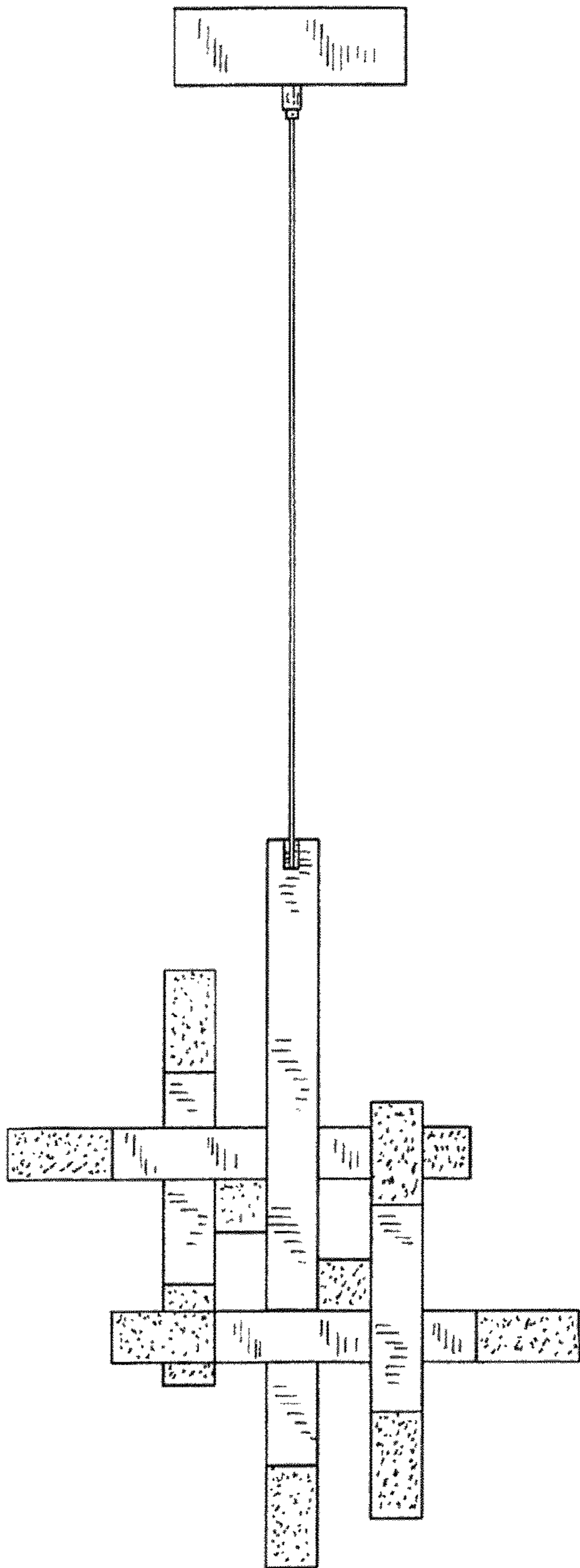


FIG. 5

FIG. 6

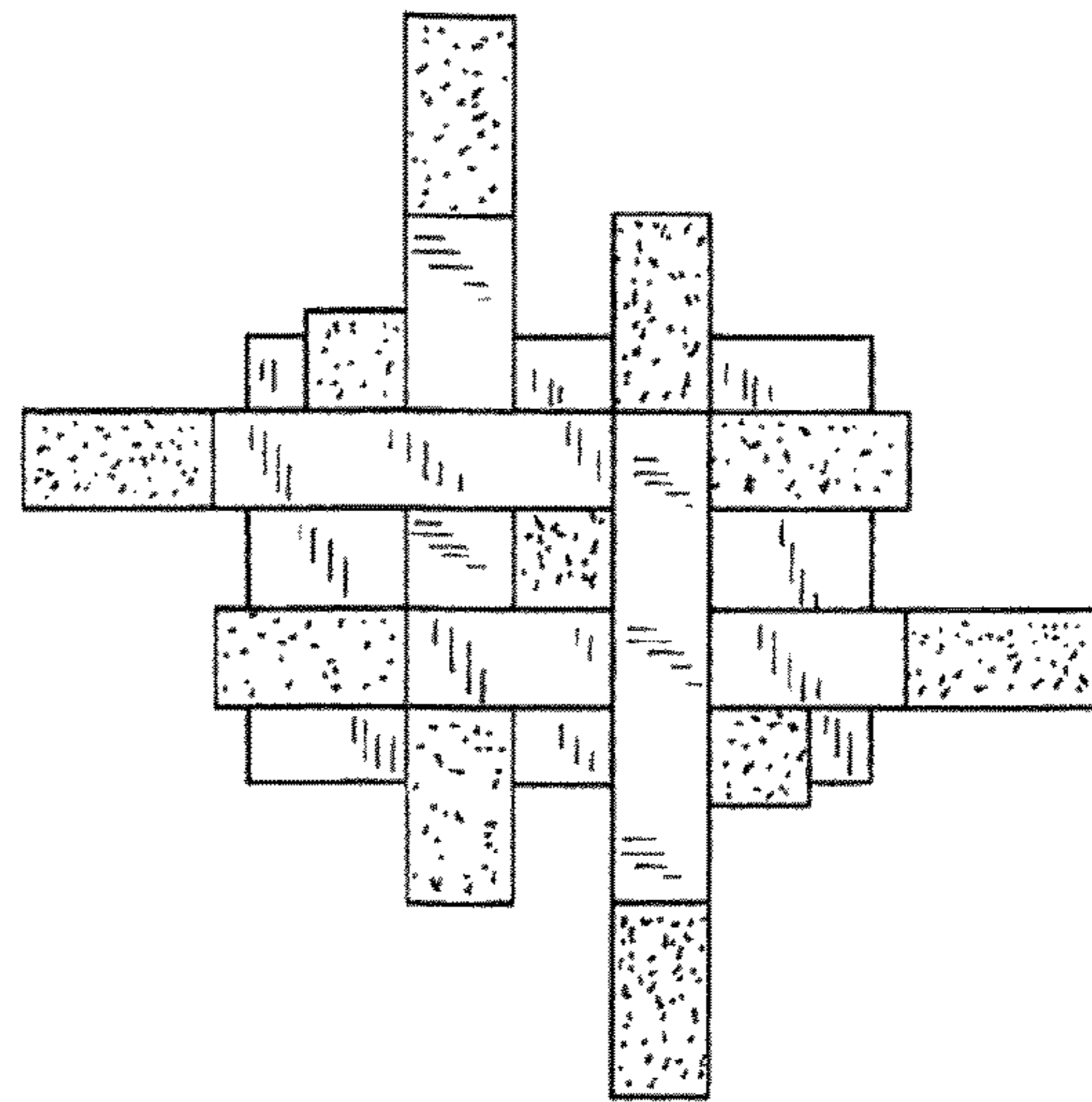
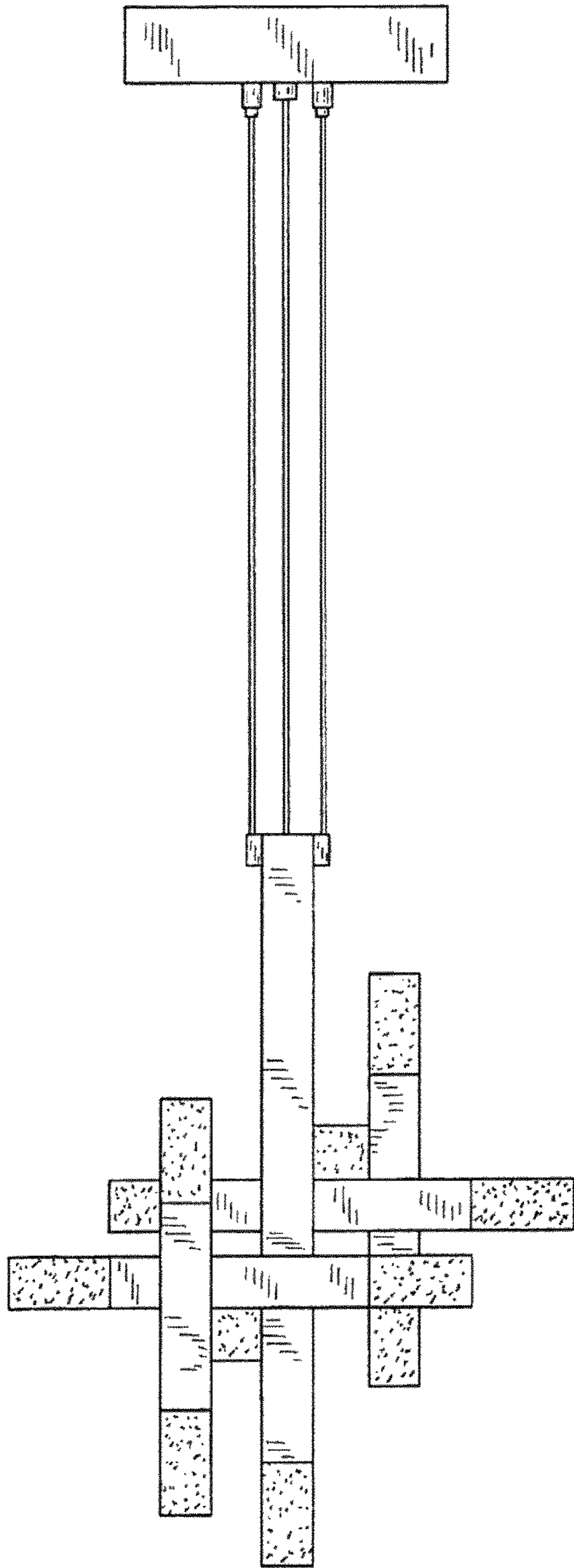


FIG. 7