



US00D674950S

(12) **United States Design Patent**
Lueken et al.

(10) **Patent No.:** **US D674,950 S**
(45) **Date of Patent:** **** Jan. 22, 2013**

(54) **LUMINAIRE**

(75) Inventors: **Thomas Carl Lueken**, Diamond Bar, CA (US); **Michael Scott Neuer**, Covina, CA (US)

(73) Assignee: **Hubbell Incorporated**, Shelton, CT (US)

(**) Term: **14 Years**

(21) Appl. No.: **29/411,949**

(22) Filed: **Jan. 27, 2012**

(51) **LOC (9) Cl.** **26-05**

(52) **U.S. Cl.** **D26/71; D26/92**

(58) **Field of Classification Search** D26/61, D26/63, 65, 67-71, 85, 92; 362/249.01-249.06, 362/294, 373, 431

See application file for complete search history.

(56) **References Cited**

U.S. PATENT DOCUMENTS

5,276,597	A	1/1994	Herst et al.	
5,321,588	A	6/1994	Weddemann et al.	
D391,659	S	3/1998	Gaskins et al.	
D437,958	S	2/2001	Doron, Jr. et al.	
D442,313	S	5/2001	Wojtkowiak et al.	
D447,590	S *	9/2001	Raouf et al.	D26/71
6,745,929	B1	6/2004	Ezumi et al.	
D531,342	S	10/2006	Kauffman et al.	
7,235,757	B2	6/2007	Lohwasser	
D556,935	S	12/2007	Quioque et al.	
D568,521	S	5/2008	Compton	
D572,403	S	7/2008	Walker	
D576,330	S	9/2008	Ruud et al.	
D577,455	S	9/2008	Zheng et al.	
D578,697	S	10/2008	Zheng et al.	
D601,292	S	9/2009	Yan et al.	
D603,077	S	10/2009	Kinnune et al.	

D607,593	S	1/2010	Yoo	
D609,839	S	2/2010	Wang et al.	
7,686,469	B2	3/2010	Ruud et al.	
D614,336	S *	4/2010	Zheng et al.	D26/71
7,695,163	B2 *	4/2010	Yamada et al.	362/294

(Continued)

OTHER PUBLICATIONS

Product brochure, "Genesis Area Lighting System," Beacon Products (a division of Hubbell Lighting, Inc.), May 3, 2010.

Primary Examiner — Clare E Heflin

(74) *Attorney, Agent, or Firm* — Alan I. Cantor; Mark S. Bicks; Alfred N. Goodman

(57) **CLAIM**

The ornamental design for a luminaire, as shown and described.

DESCRIPTION

FIG. 1 is a top/front perspective view of a luminaire according to the invention;

FIG. 2 is a top/rear perspective view of the luminaire of FIG. 1;

FIG. 3 is a bottom/front perspective view of the luminaire of FIG. 1;

FIG. 4 is a bottom/rear perspective view of the luminaire of FIG. 1;

FIG. 5 is a top plan view of the luminaire of FIG. 1;

FIG. 6 is a bottom plan view of the luminaire of FIG. 1;

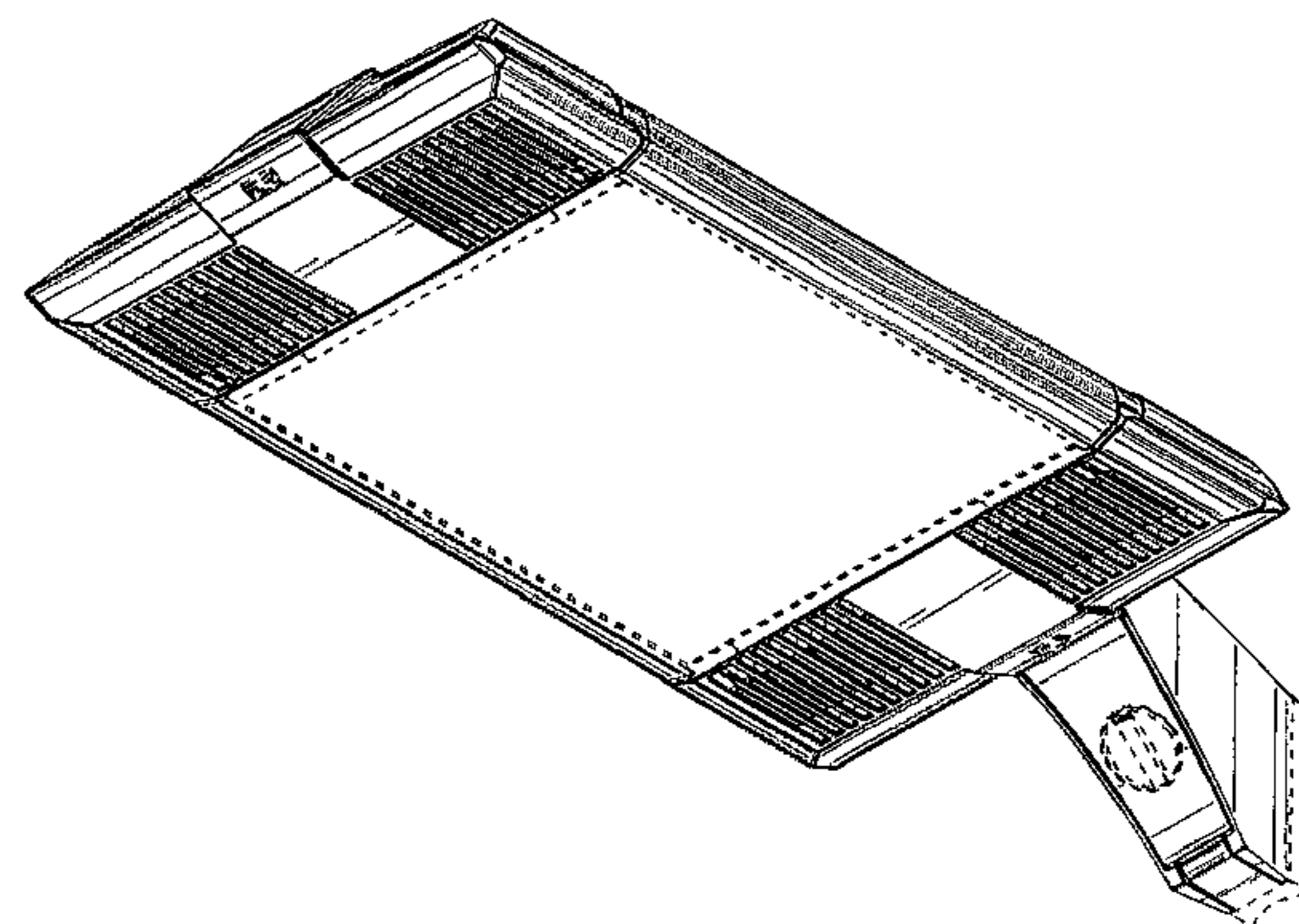
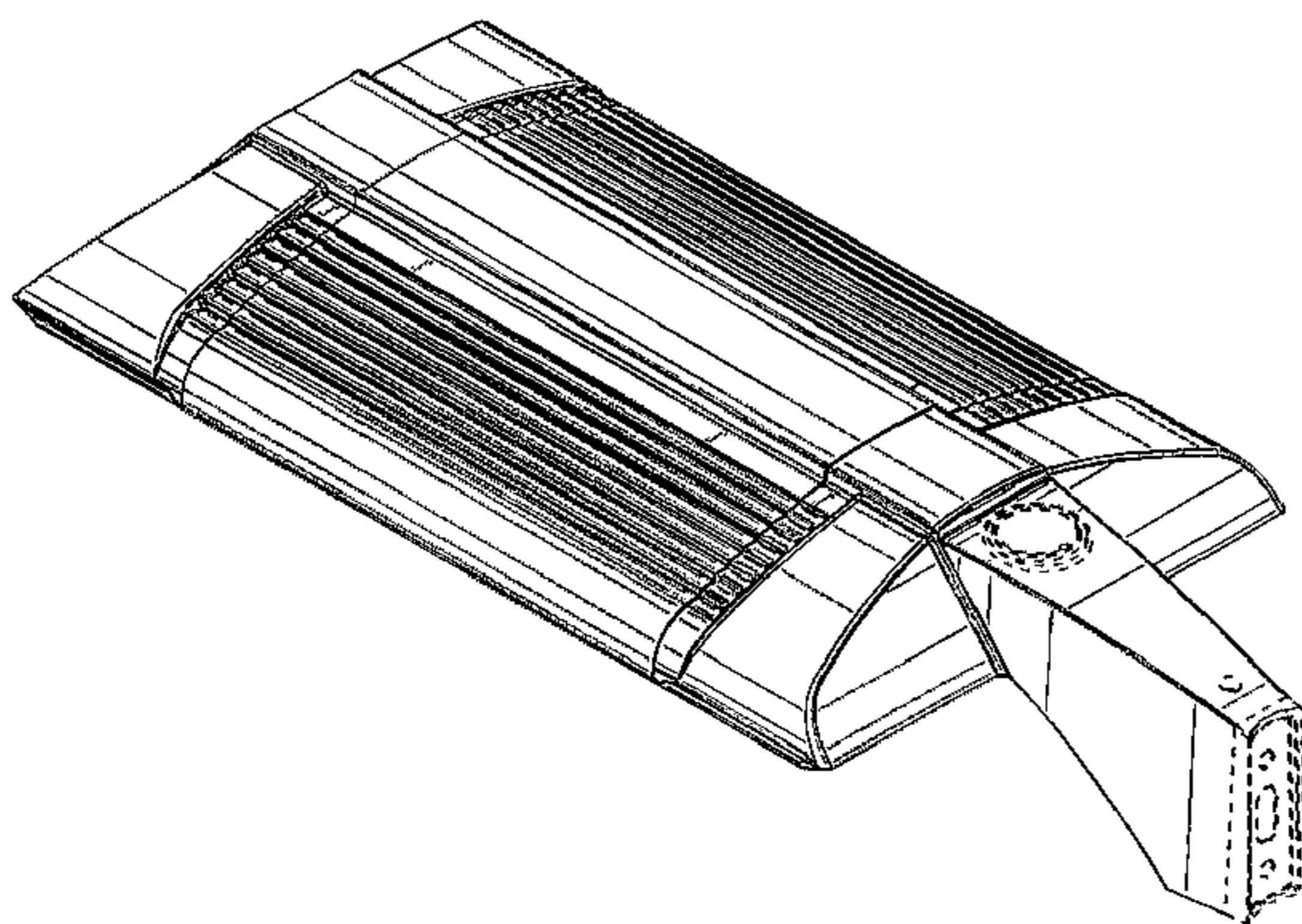
FIG. 7 is a side elevational view of the luminaire of FIG. 1, the opposite side being the mirror image of that shown;

FIG. 8 is a front elevational view of the luminaire of FIG. 1; and,

FIG. 9 is a rear elevational view of the luminaire of FIG. 1.

The broken lines shown in the figures are for illustrative purposes only and form no part of the claimed design.

1 Claim, 4 Drawing Sheets



US D674,950 S

Page 2

U.S. PATENT DOCUMENTS

D616,592	S *	5/2010	Chen	D26/71	D648,473	S	11/2011	Lin et al.	
7,762,690	B2 *	7/2010	Li et al.	362/294	8,070,306	B2	12/2011	Ruud et al.	
7,828,456	B2	11/2010	Boyer et al.			D652,978	S *	1/2012	Boissevain et al. D26/71
7,832,898	B2	11/2010	Li			D660,496	S *	5/2012	Akdag et al. D26/71
D630,790	S	1/2011	Josefowicz et al.			D665,940	S *	8/2012	Lane et al. D26/71
D632,000	S	2/2011	Little, Jr. et al.			2008/0080162	A1	4/2008	Wilcox et al.	
D634,878	S *	3/2011	Guercio et al.	D26/85	2011/0038153	A1	2/2011	Hu	
D636,920	S *	4/2011	Boissevain	D26/71	2011/0060701	A1	3/2011	Verfuerth et al.	
7,922,372	B2	4/2011	Li			2011/0188233	A1	8/2011	Josefowicz et al.	
7,959,331	B2	6/2011	Ho			2011/0194281	A1	8/2011	Josefowicz et al.	
8,002,428	B2	8/2011	Boyer et al.			2011/0259665	A1	10/2011	Morgan, III et al.	
8,007,142	B2 *	8/2011	Ku et al.	362/368					

* cited by examiner

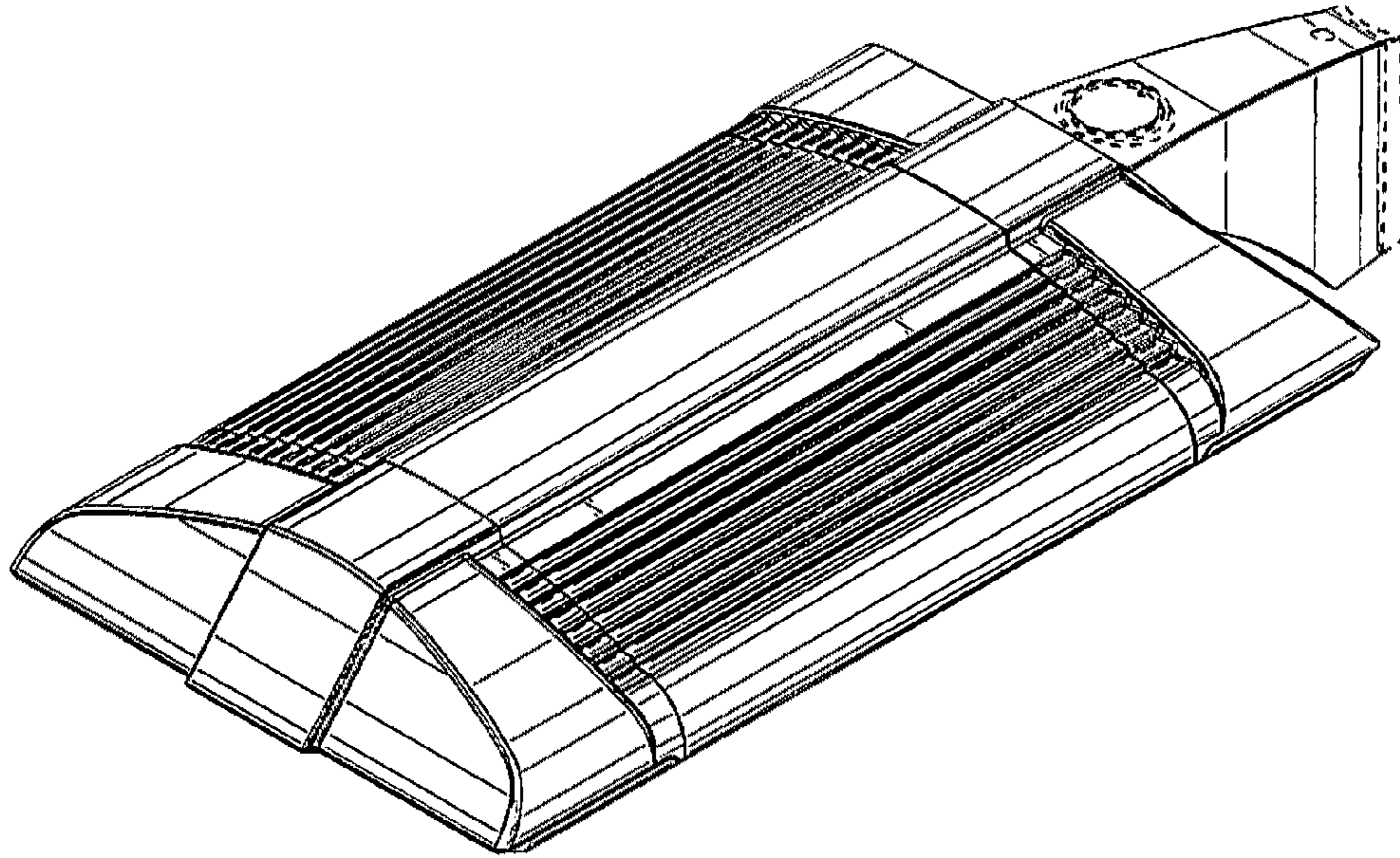


FIG. 1

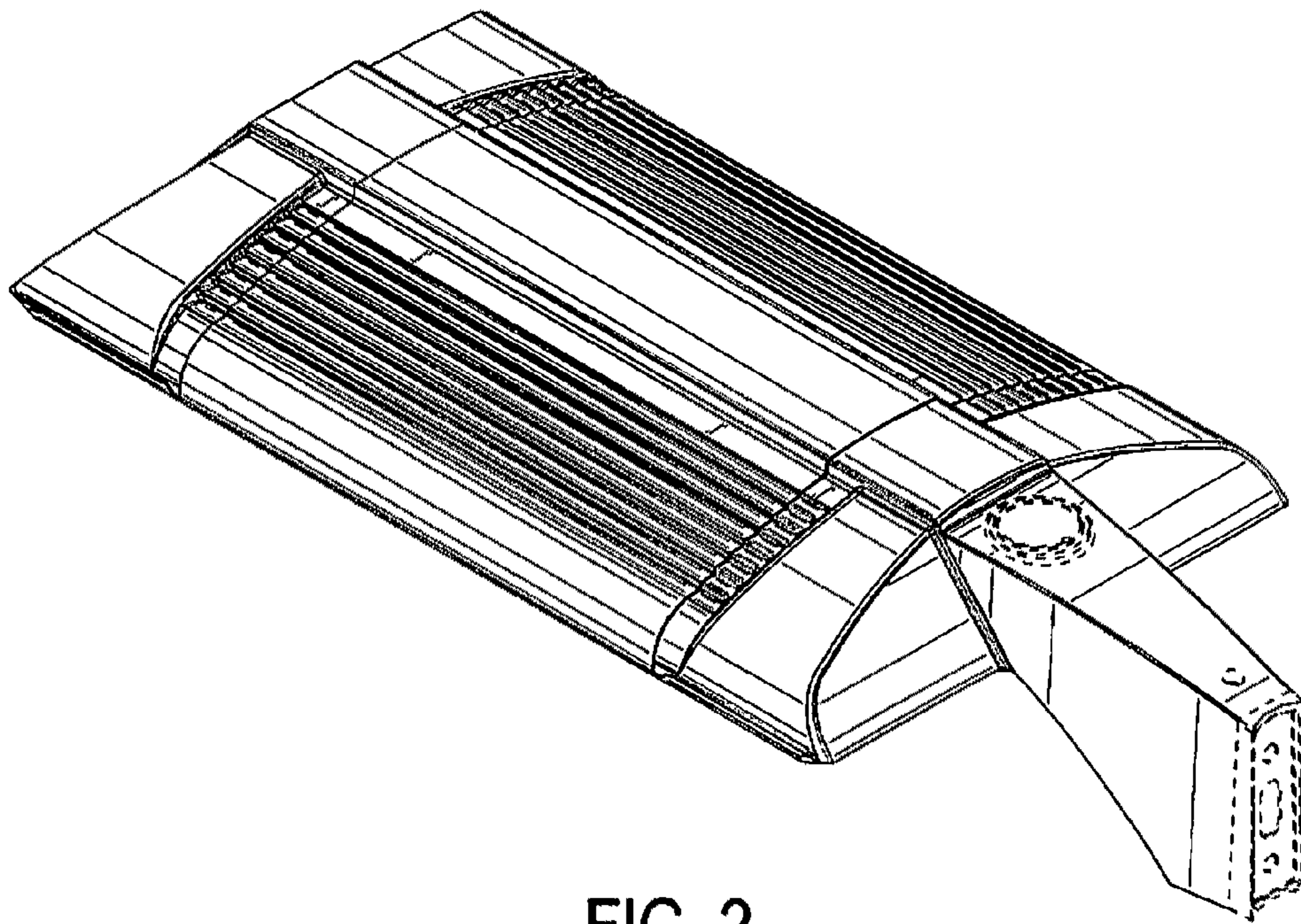


FIG. 2

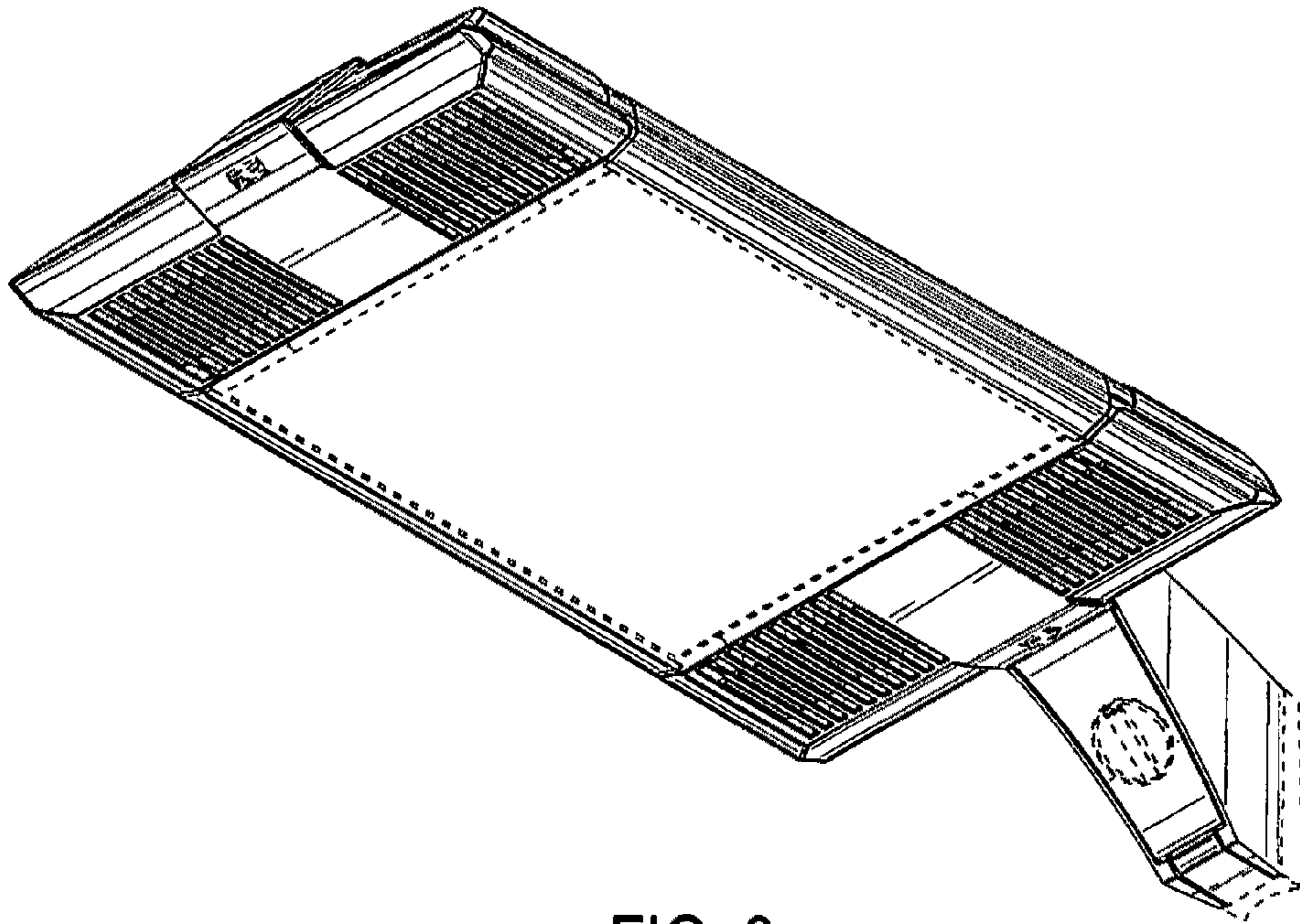


FIG. 3

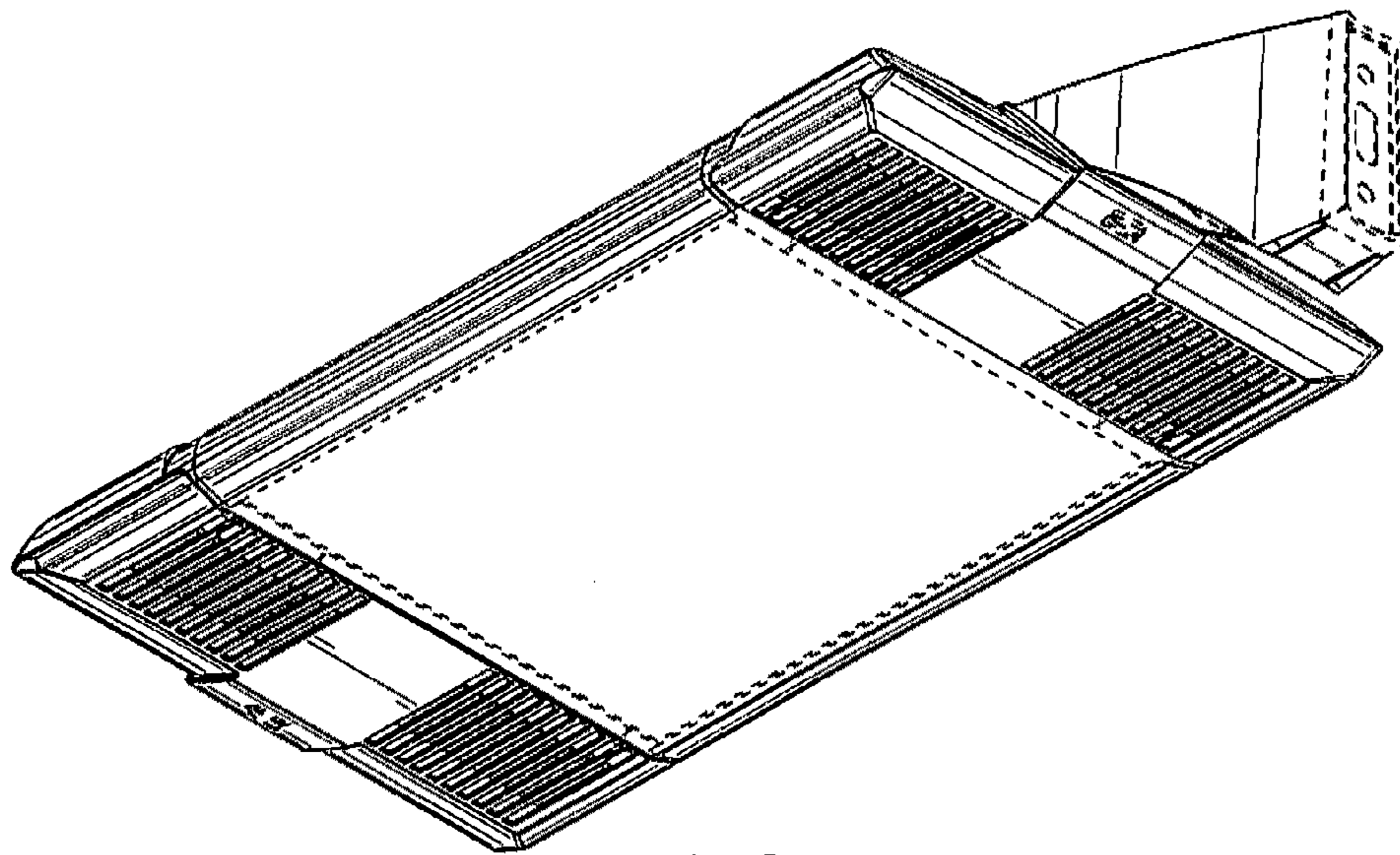


FIG. 4

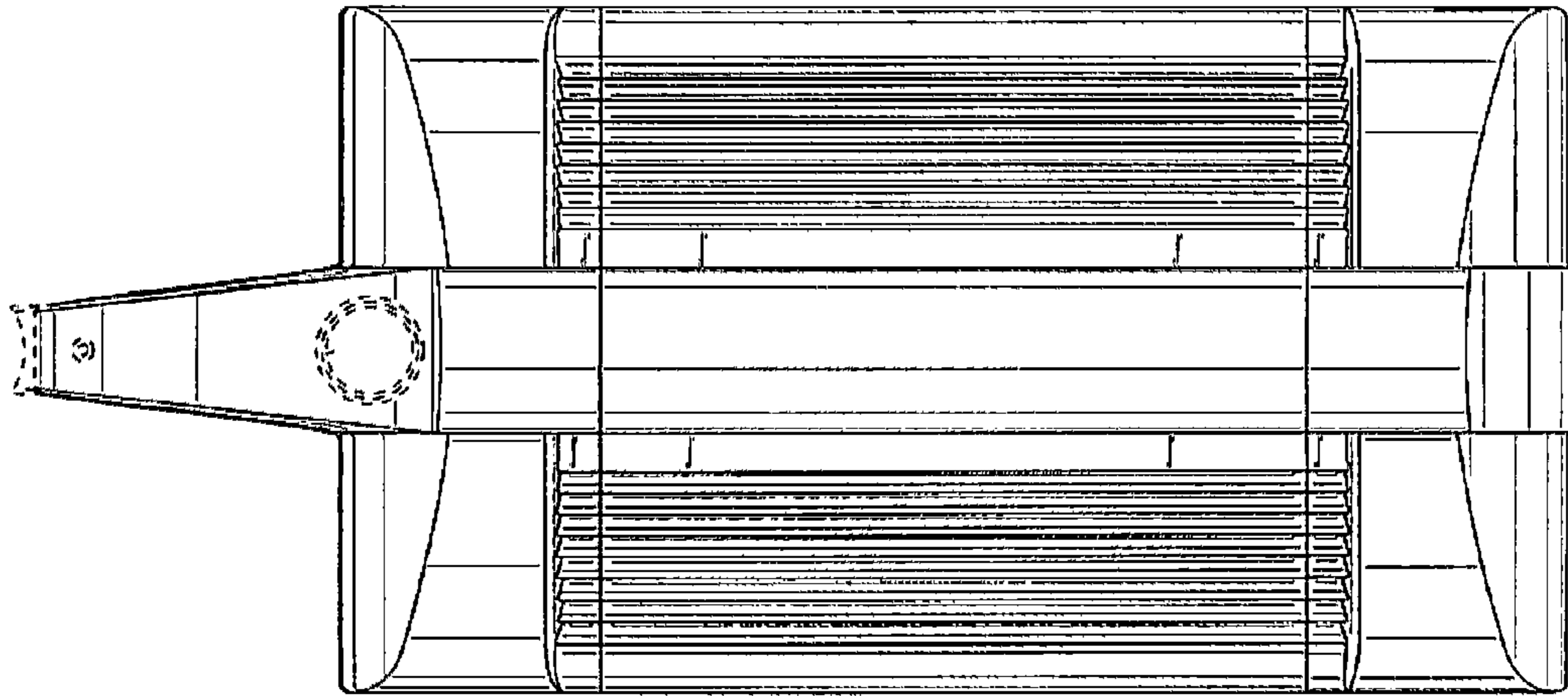


FIG. 5

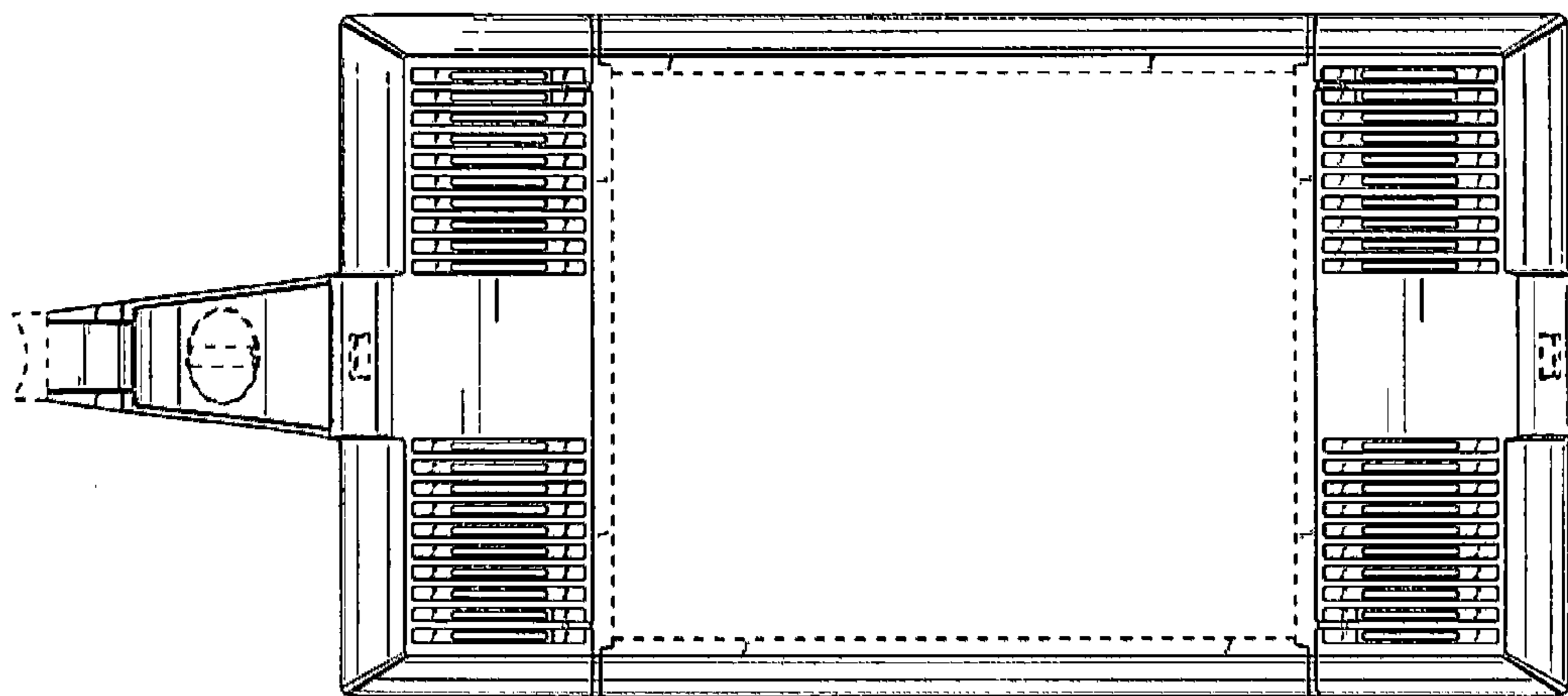


FIG. 6

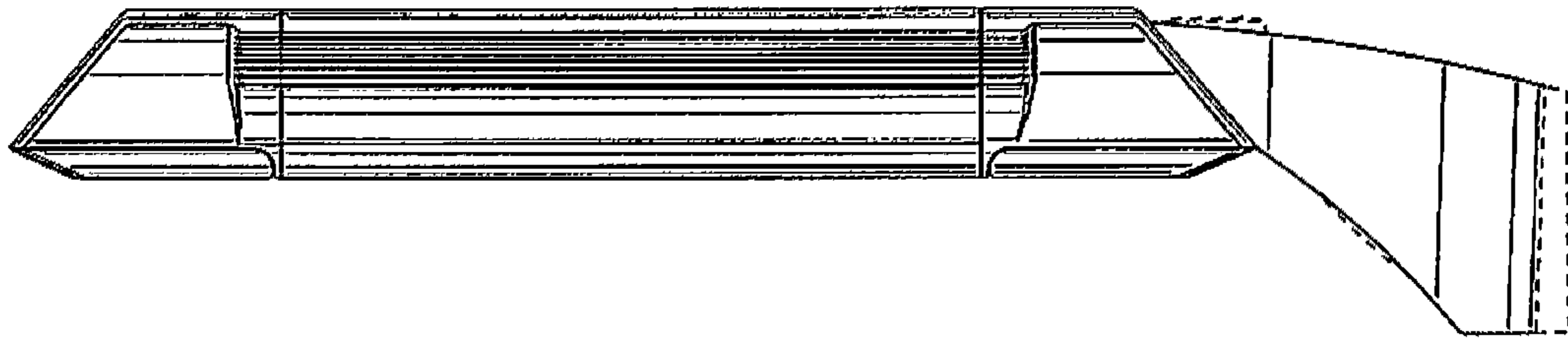


FIG. 7

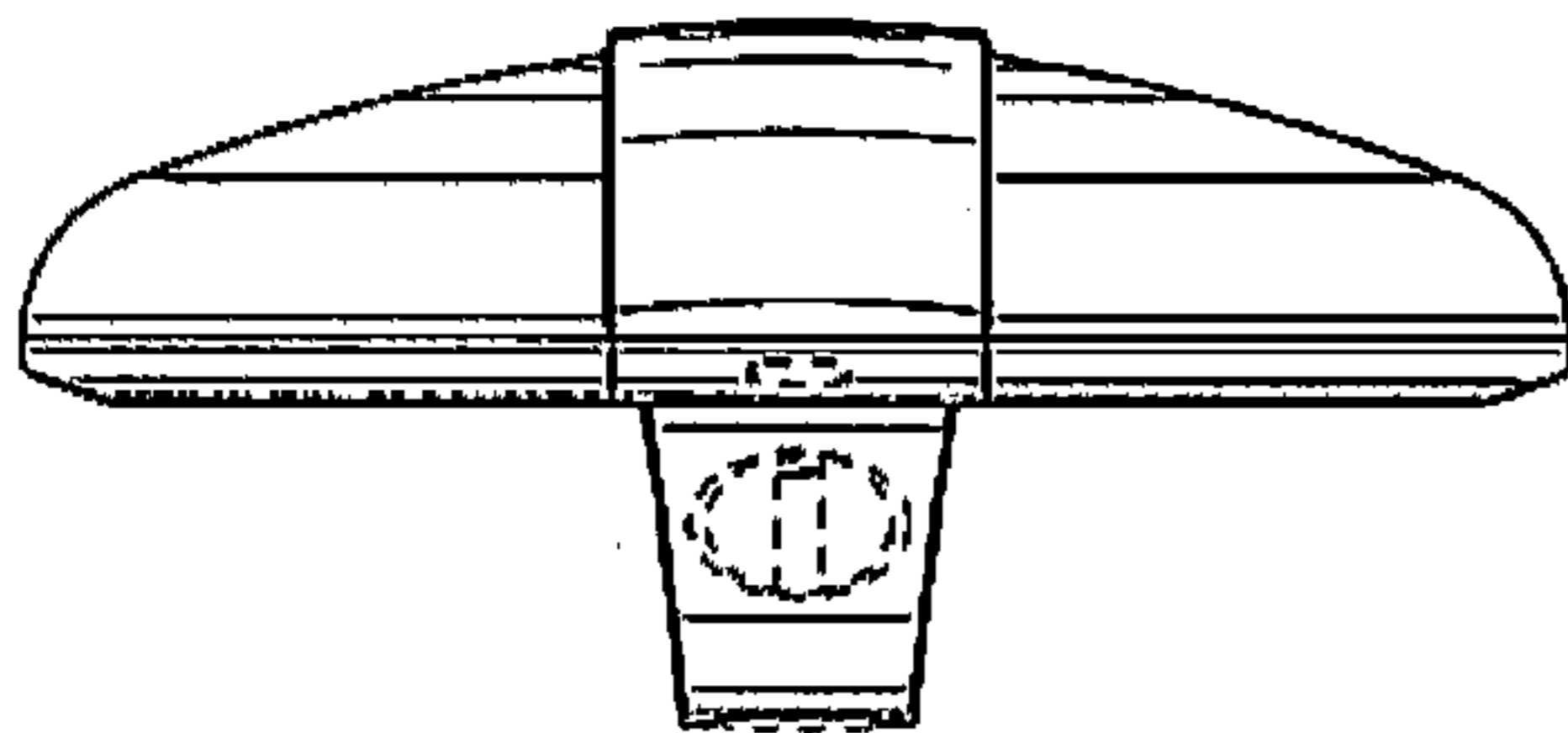


FIG. 8

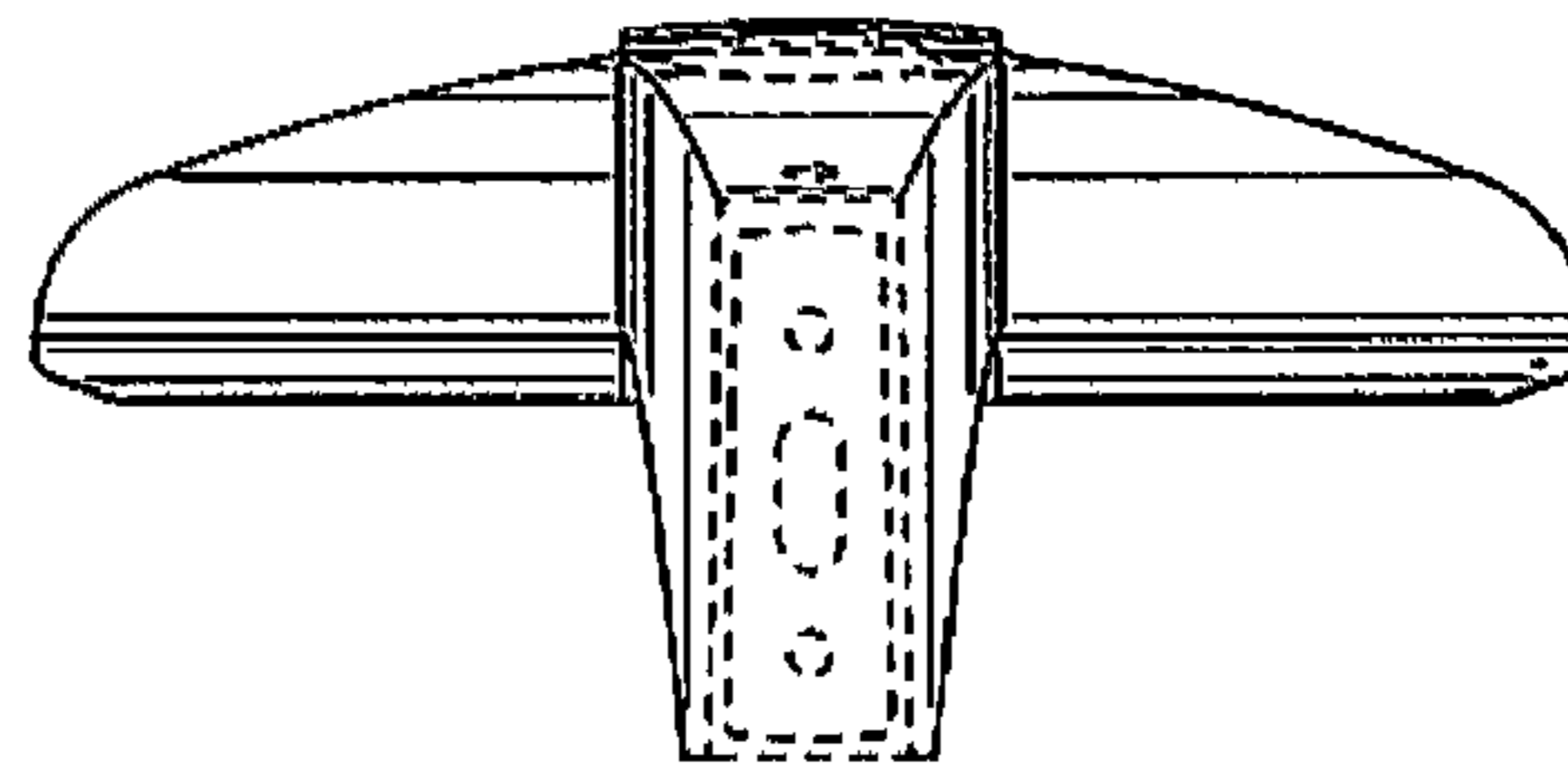


FIG. 9