



US00D674949S

(12) **United States Design Patent**  
**Georgitsis et al.**

(10) **Patent No.:** **US D674,949 S**  
(45) **Date of Patent:** **\*\* Jan. 22, 2013**

(54) **LIGHTING SYSTEM**

(76) Inventors: **Anthony C. Georgitsis**, Algona, WA (US); **Nicholas B. Irwin**, Algona, WA (US); **Joseph Biro**, Scottsdale, AZ (US)

(\*\*) Term: **14 Years**

(21) Appl. No.: **29/405,582**

(22) Filed: **Nov. 3, 2011**

(51) **LOC (9) Cl.** ..... **26-05**

(52) **U.S. Cl.** ..... **D26/63**

(58) **Field of Classification Search** ..... D26/60-66,  
D26/72, 85, 86, 87, 92, 102; 362/145, 147,  
362/269-271, 277, 282, 285, 289, 287, 640,  
362/418, 427, 264, 294, 449, 268, 310, 311.01,  
362/371-373

See application file for complete search history.

(56) **References Cited**

**U.S. PATENT DOCUMENTS**

6,050,710	A *	4/2000	Grossman et al.	.....	362/427
D436,679	S *	1/2001	Leen	.....	D26/65
D436,680	S *	1/2001	Leen	.....	D26/65
D448,371	S *	9/2001	Kim	.....	D14/337
D452,027	S *	12/2001	Mashevsky	.....	D26/63
D475,646	S *	6/2003	Mashevsky	.....	D10/114.1
7,001,049	B2 *	2/2006	Lee	.....	362/413
D591,883	S *	5/2009	Gill	.....	D26/63
D642,721	S *	8/2011	Li et al.	.....	D26/63

\* cited by examiner

*Primary Examiner* — Susan M Lee

*Assistant Examiner* — Linda G. Brooks

(74) *Attorney, Agent, or Firm* — Barnes & Thornburg LLP; Mark J. Nahnsen

(57) **CLAIM**

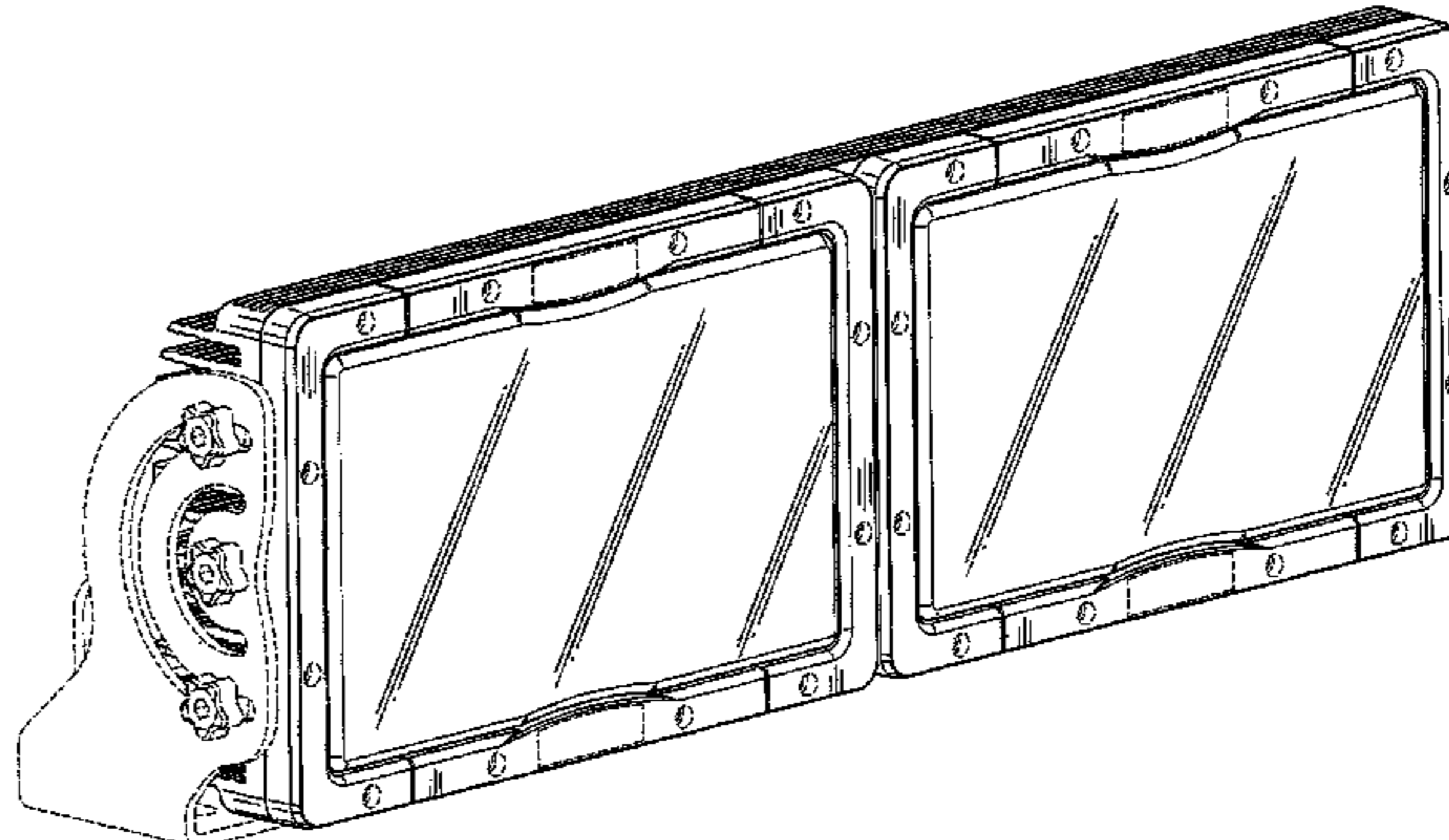
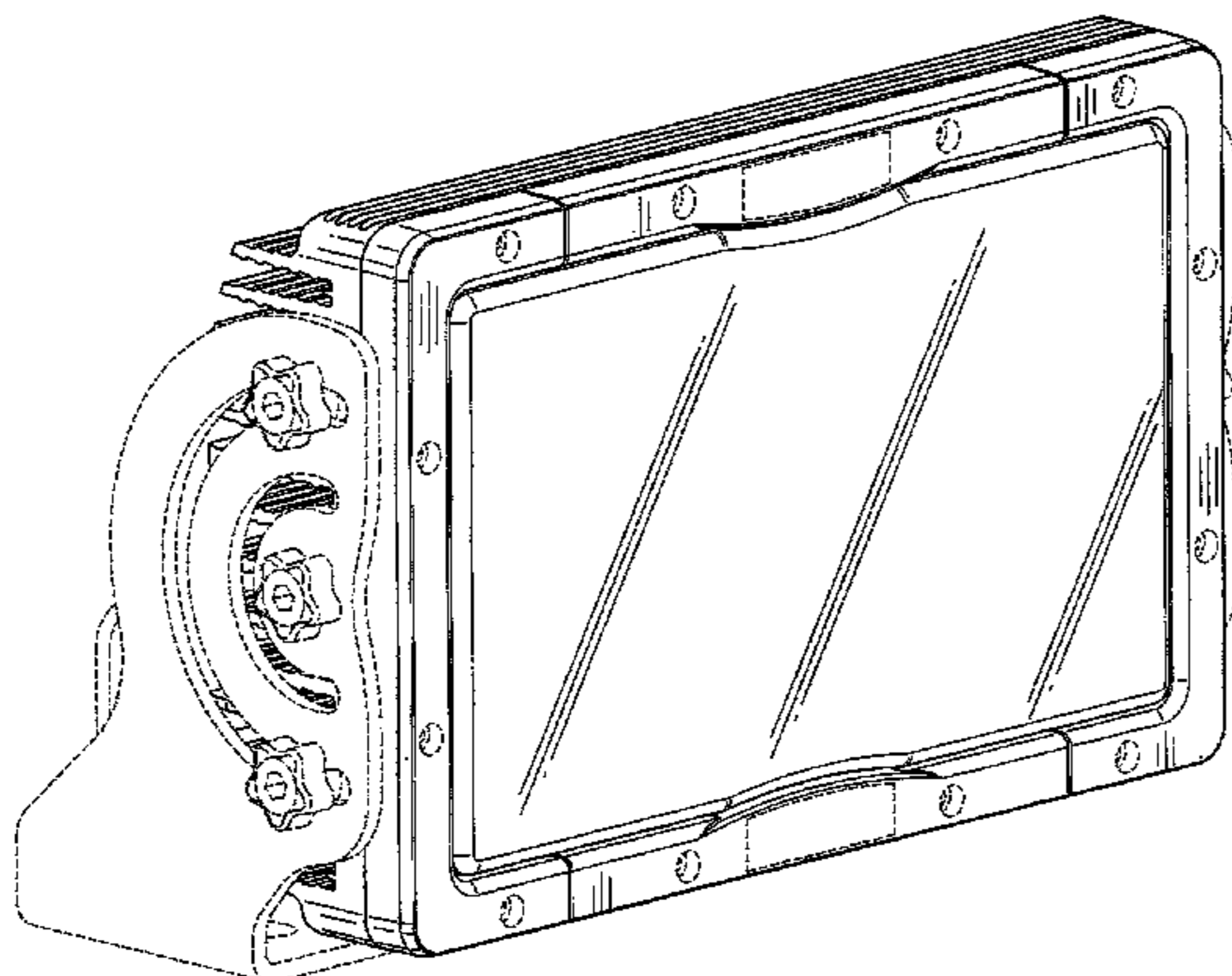
The ornamental design for a lighting system, as shown and described.

**DESCRIPTION**

FIG. 1 is a front isometric view of a lighting system; FIG. 2 is a front view of the lighting system; FIG. 3 is a rear view of the lighting system; FIG. 4 is a top view of the lighting system; FIG. 5 is a bottom view of the lighting system; FIG. 6 is a first end view of the lighting system; FIG. 7 is a second end view of the lighting system; FIG. 8 is a front isometric view of another embodiment of the lighting system of FIG. 1 showing two lenses; FIG. 9 is a front view of the lighting system shown in FIG. 8; FIG. 10 is a rear view of the lighting system shown in FIG. 8; FIG. 11 is a top view of the lighting system shown in FIG. 8; FIG. 12 is a bottom view of the lighting system shown in FIG. 8; FIG. 13 is a first end view of the lighting system shown in FIG. 8; and, FIG. 14 is a second end view of the lighting system shown in FIG. 8.

The portions shown in broken lines are included to show environment and form no part of the claimed design.

**1 Claim, 14 Drawing Sheets**



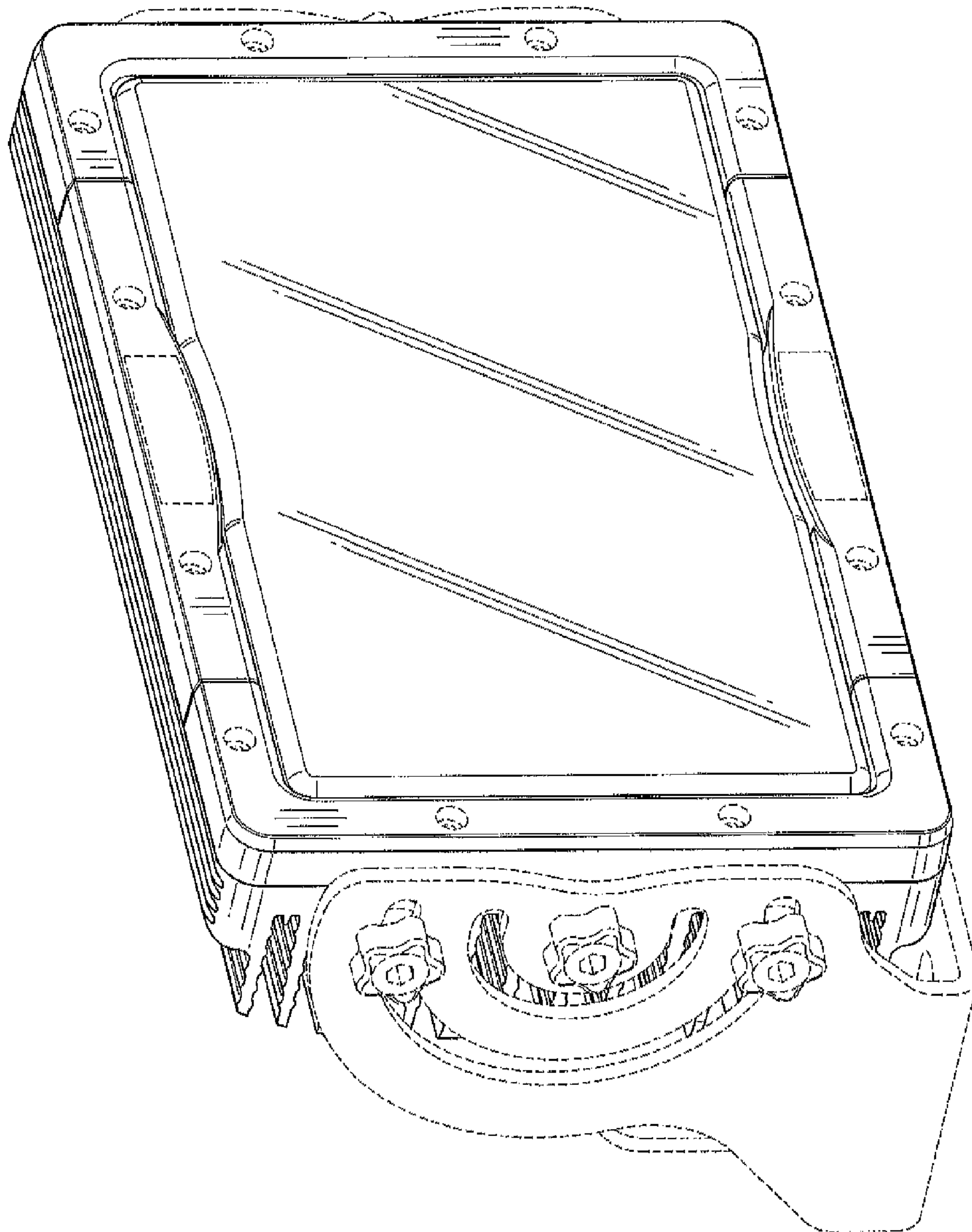


FIG. 1

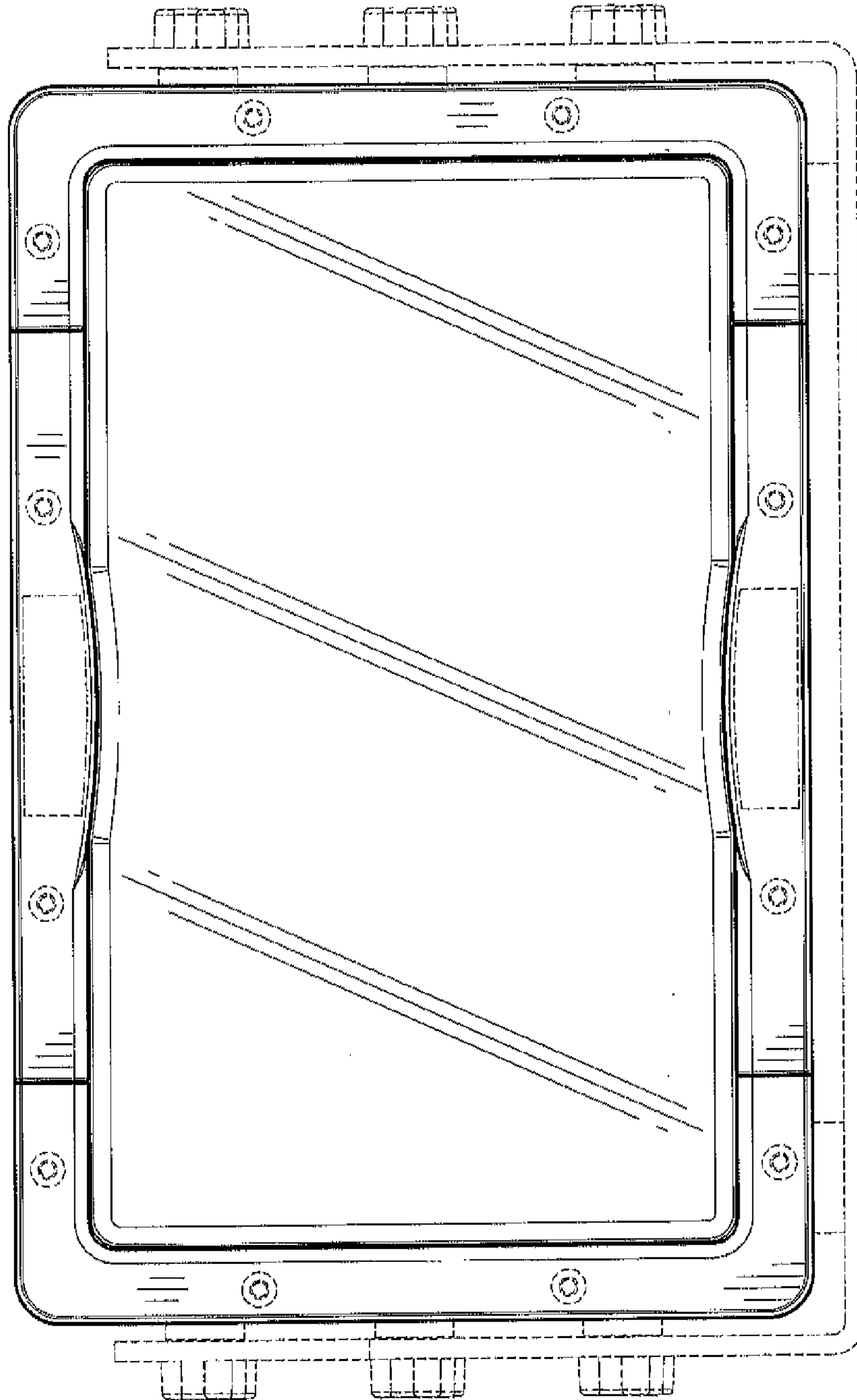


FIG. 2

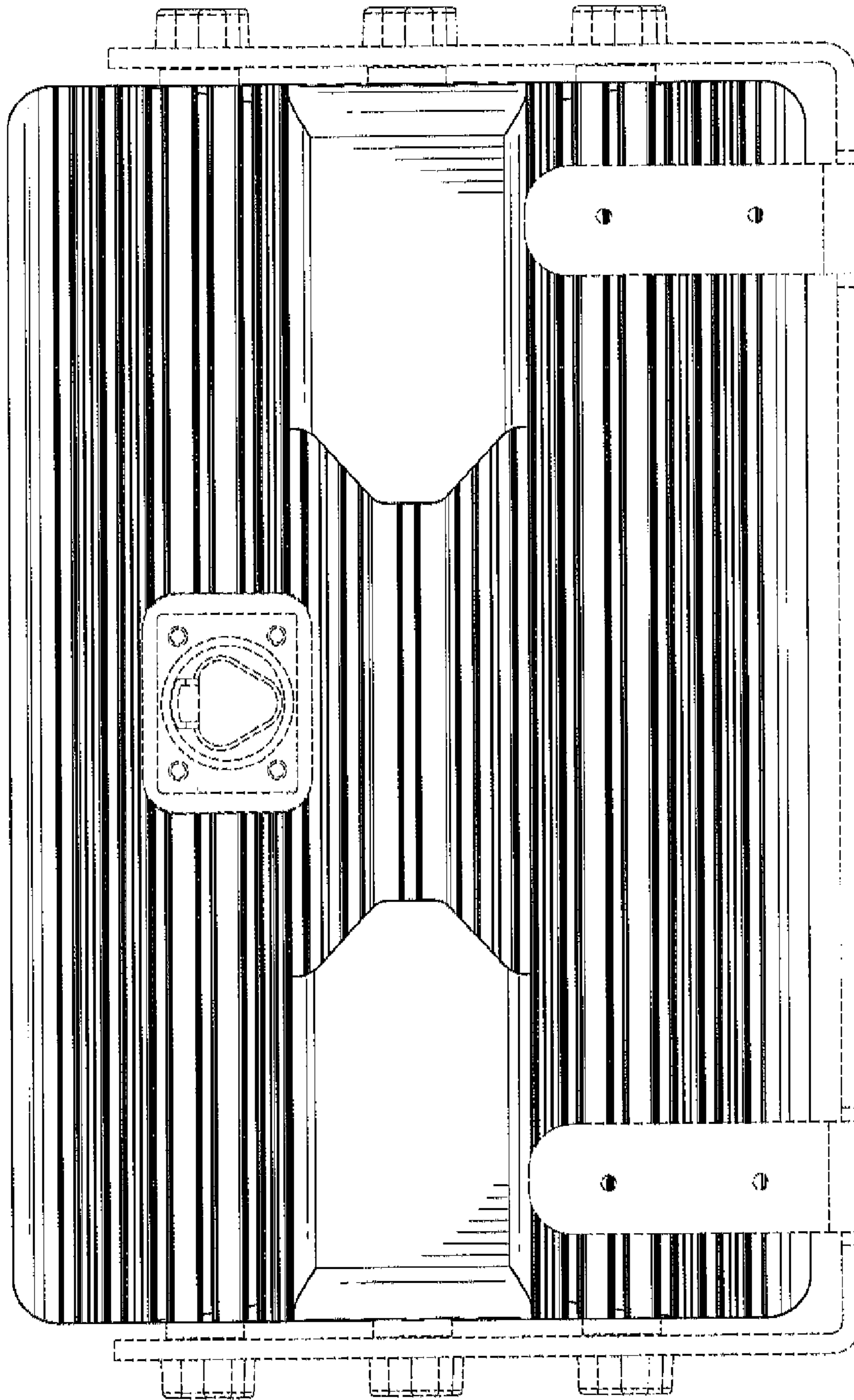


FIG. 3

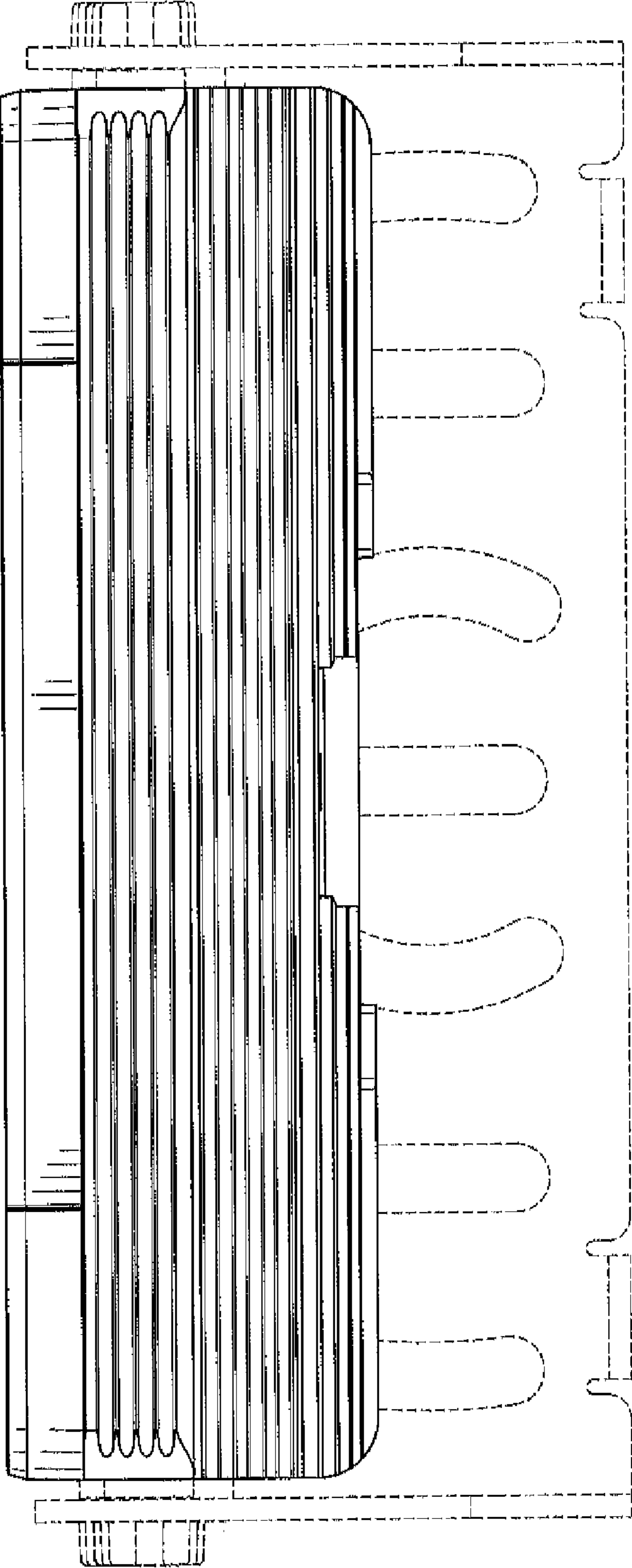


FIG. 4

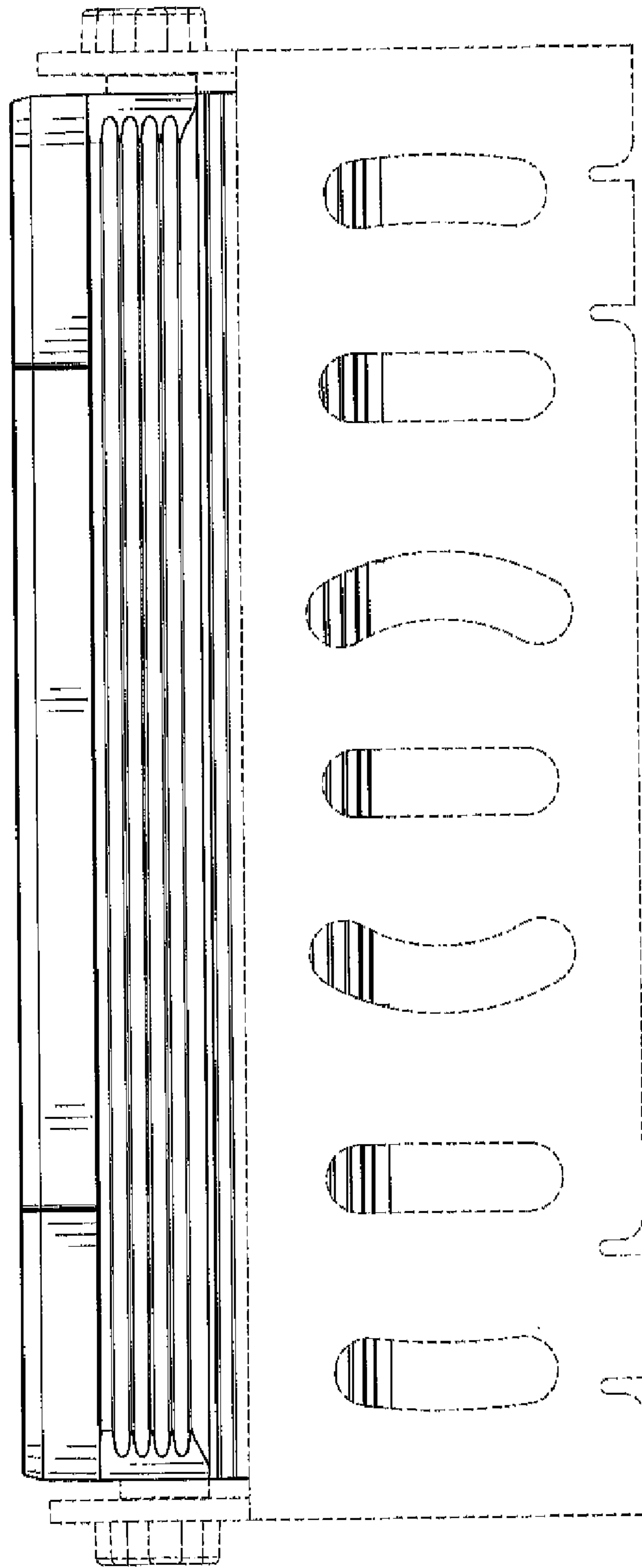


FIG. 5

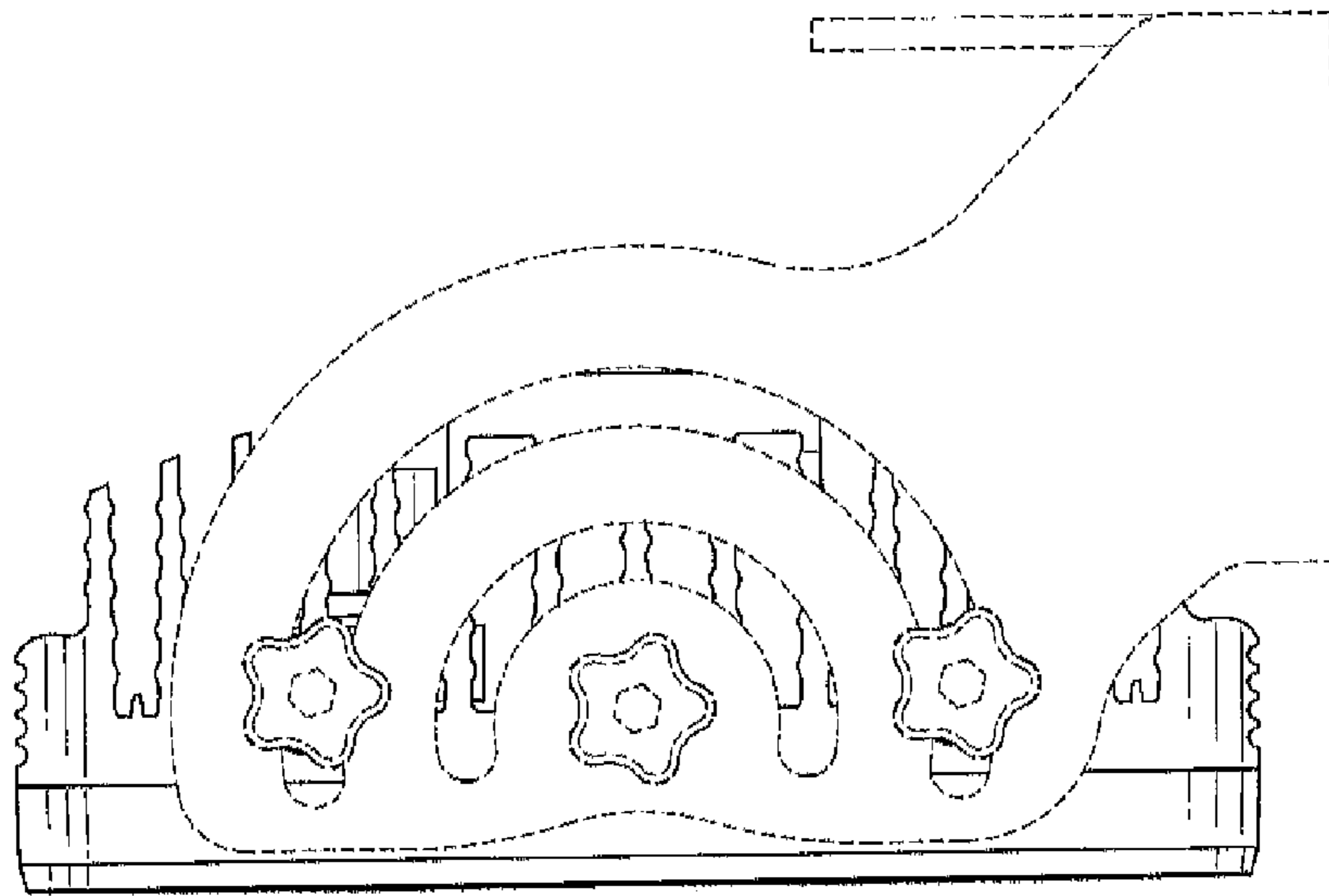


FIG. 6

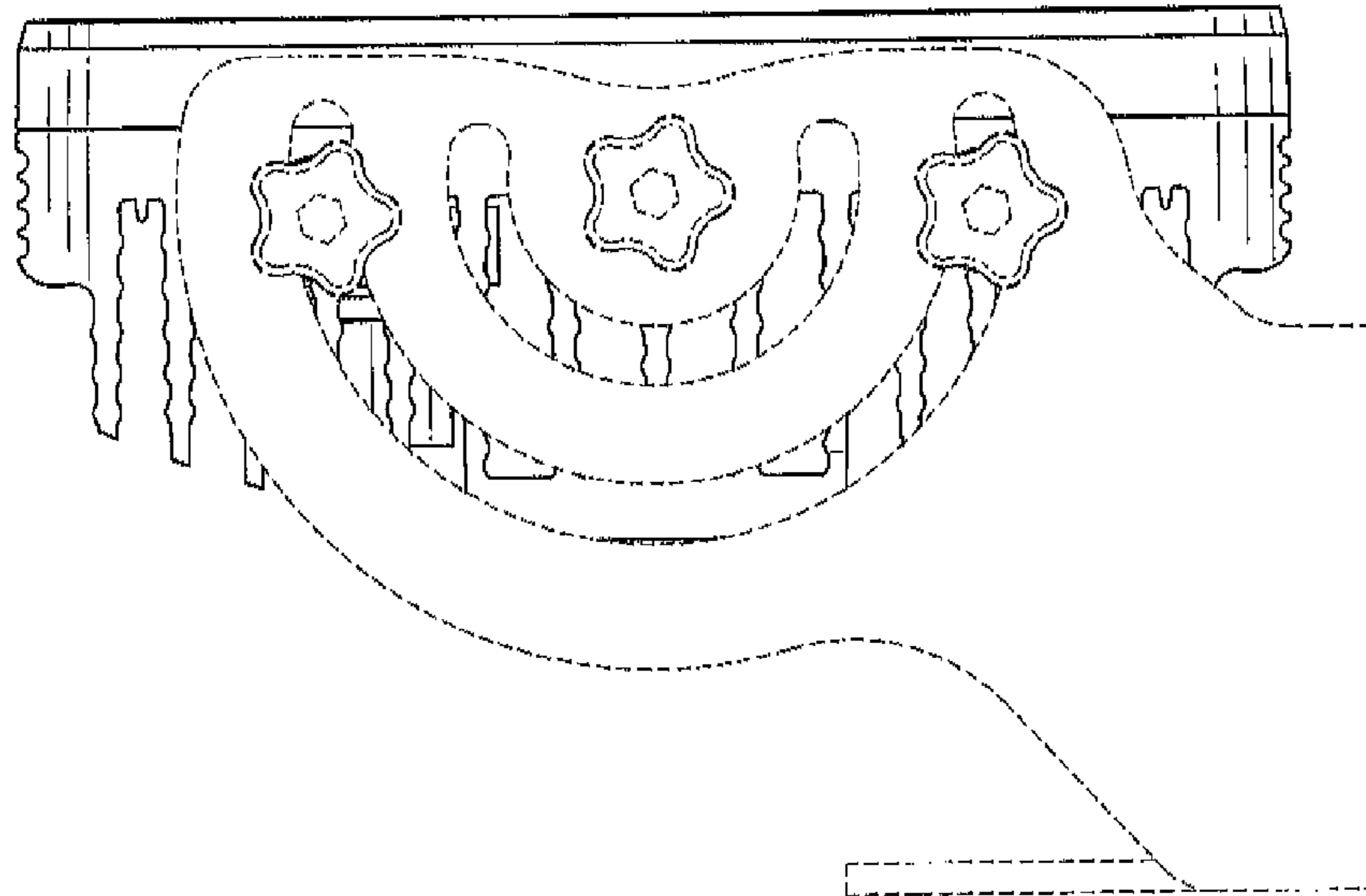


FIG. 7



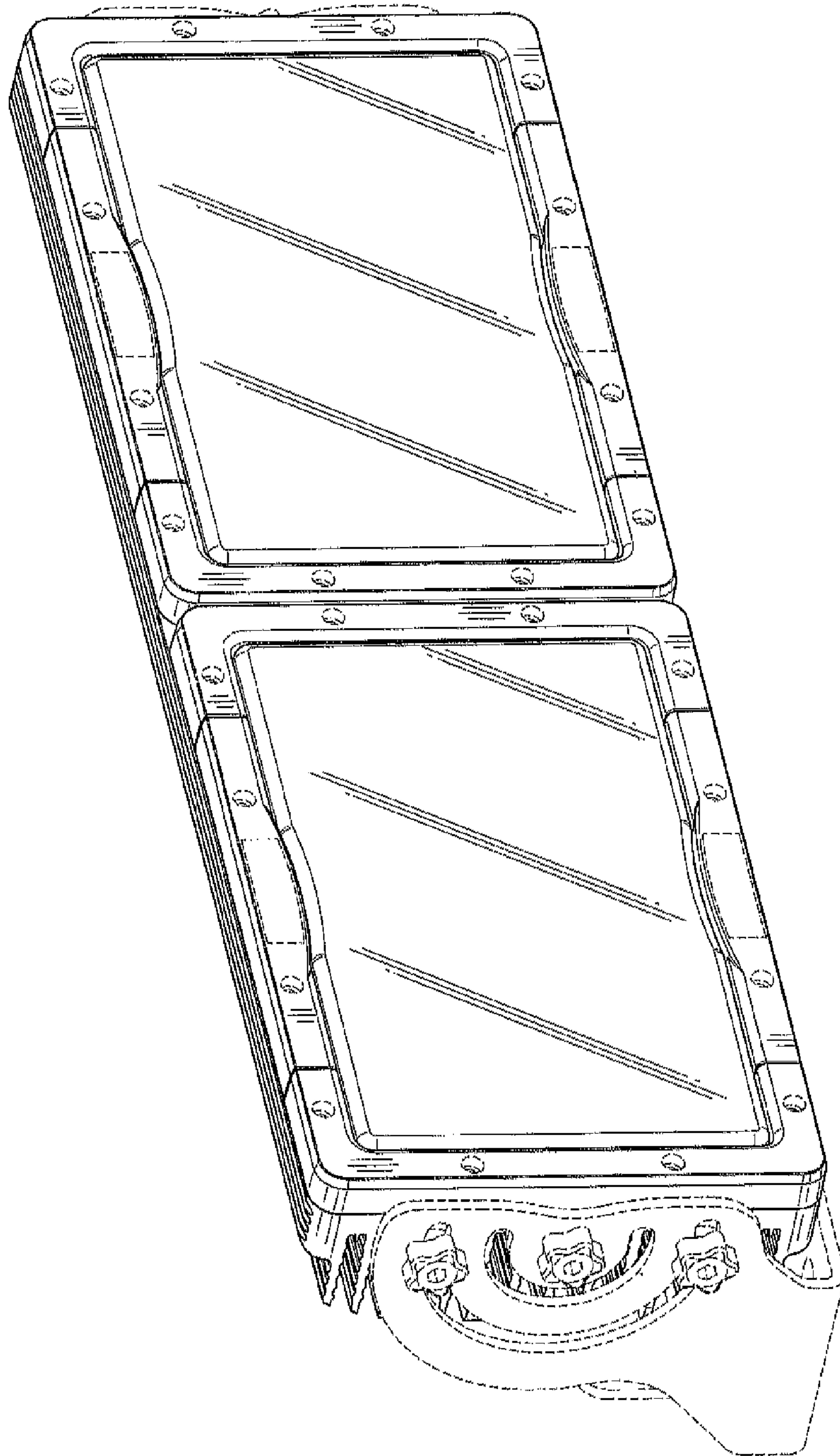


FIG. 8

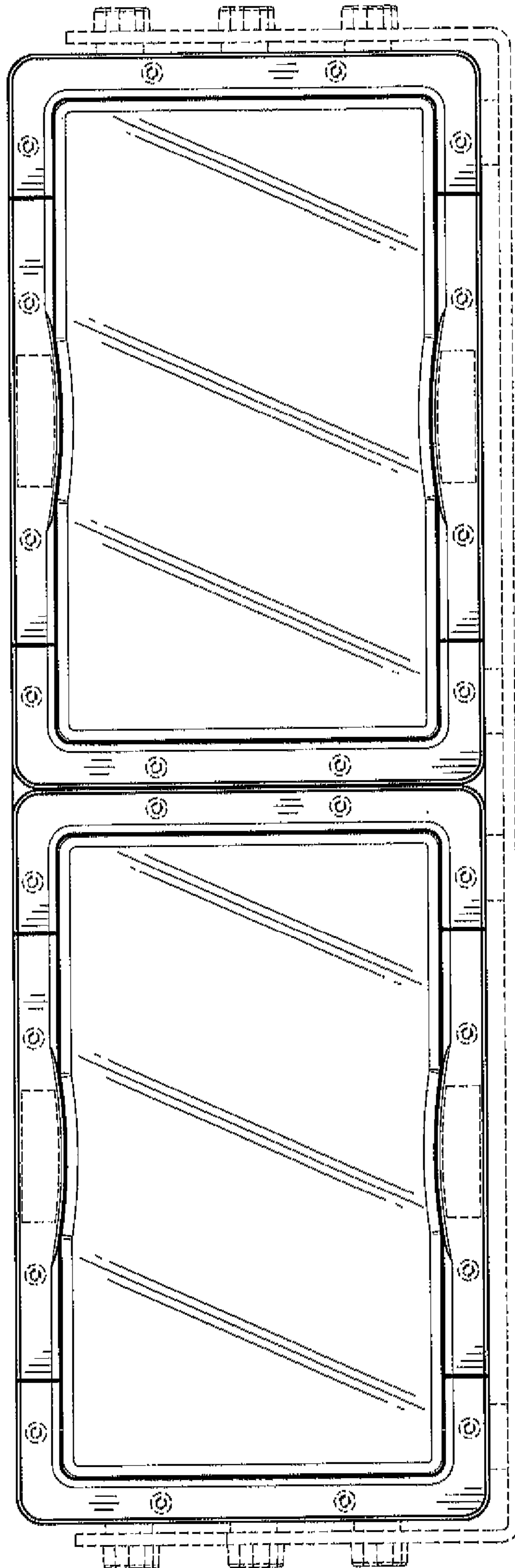


FIG. 9

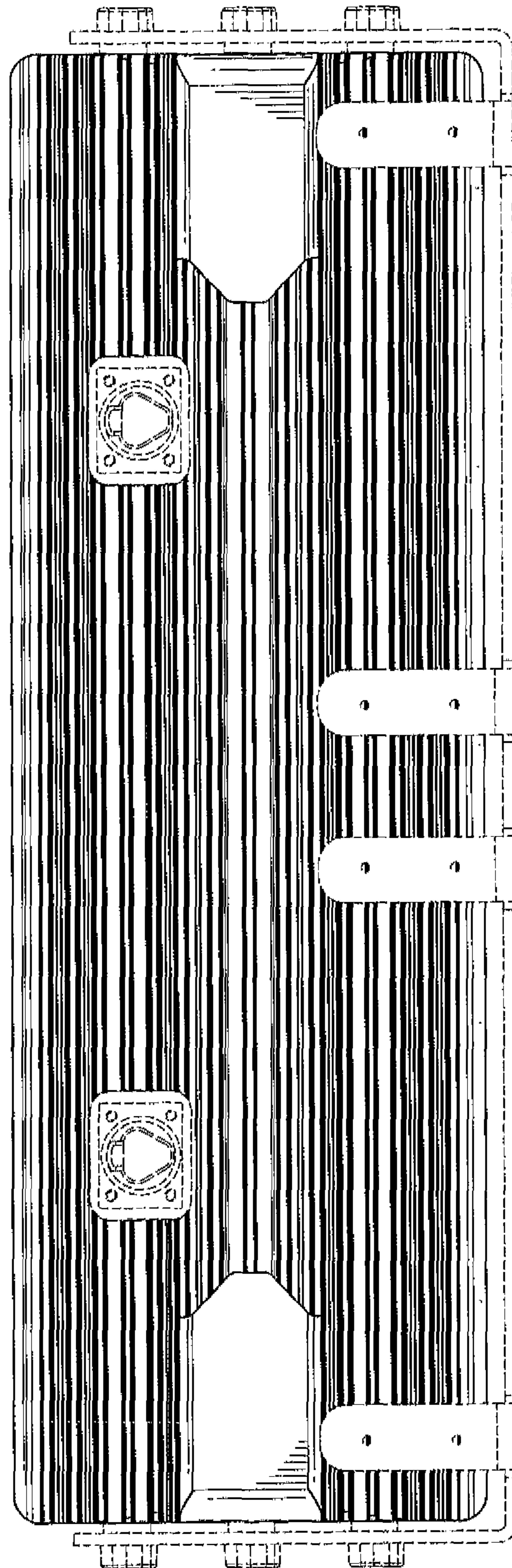


FIG. 10

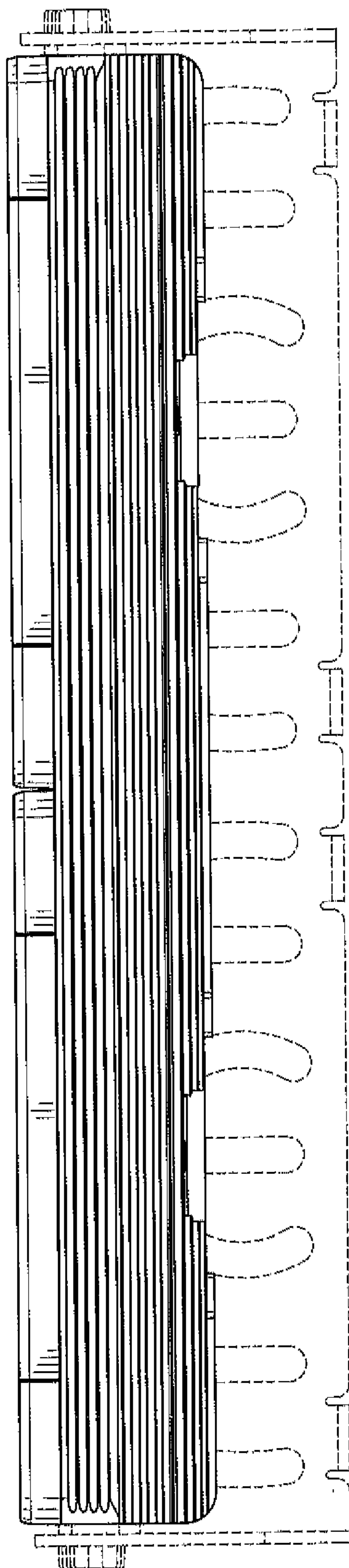


FIG. 11

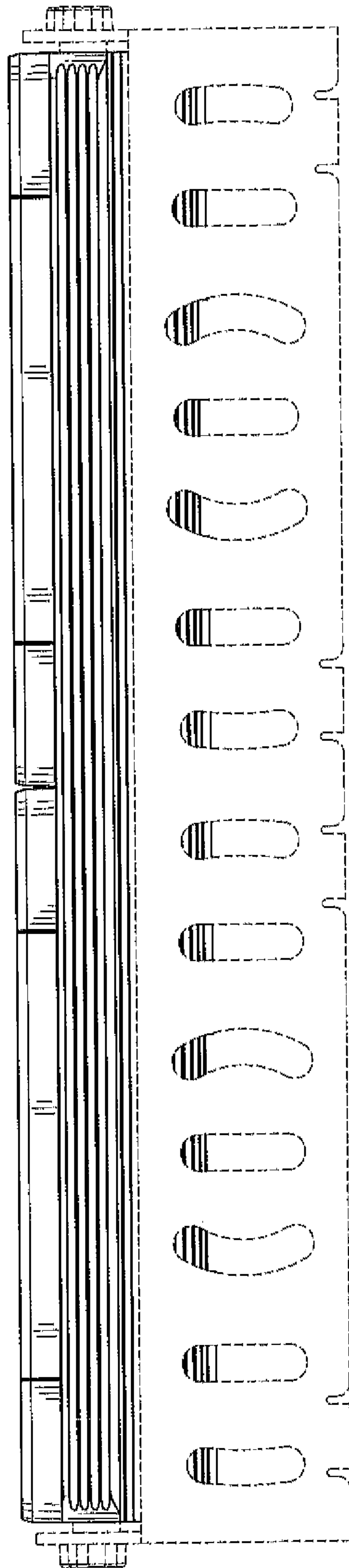


FIG. 12

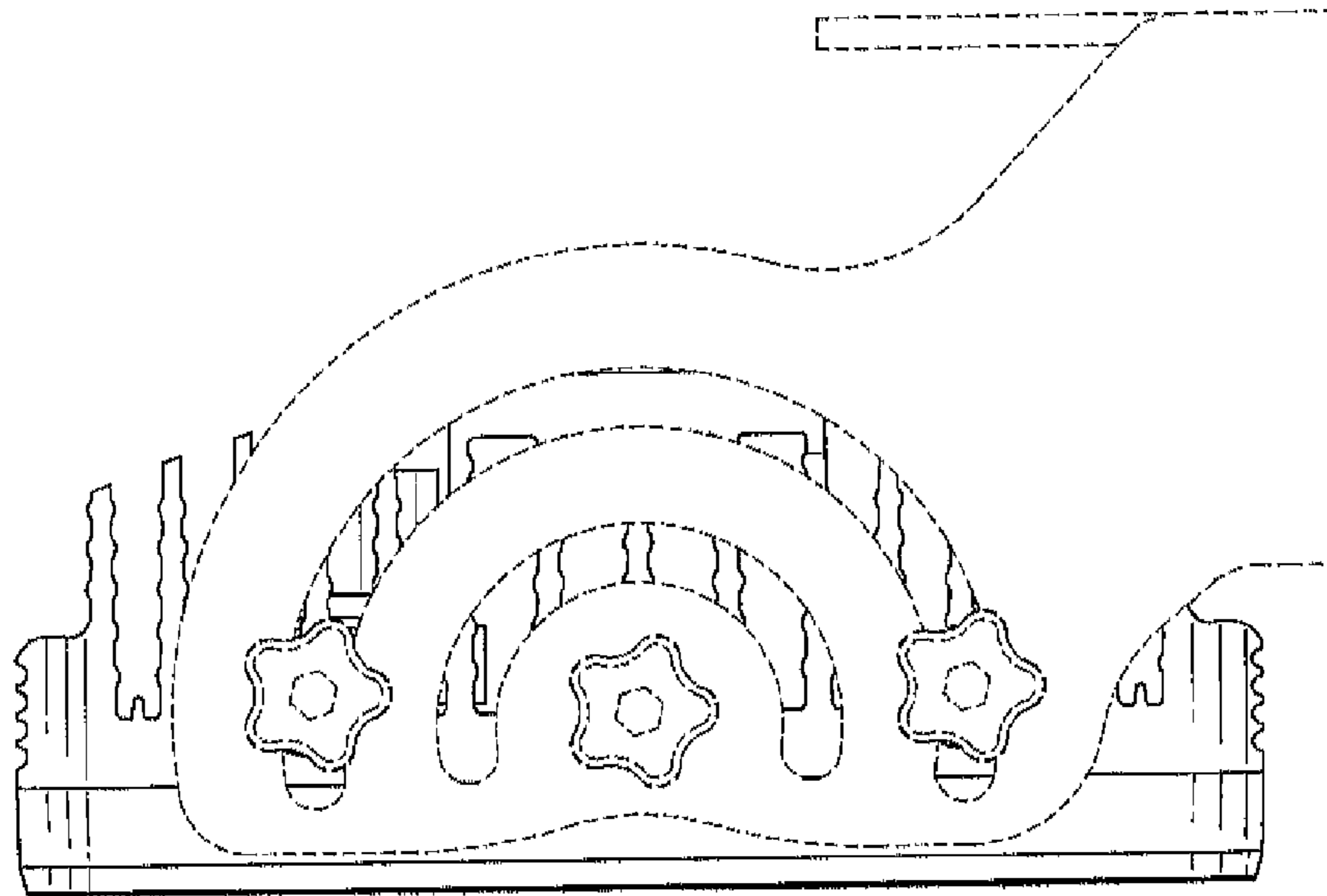


FIG. 13

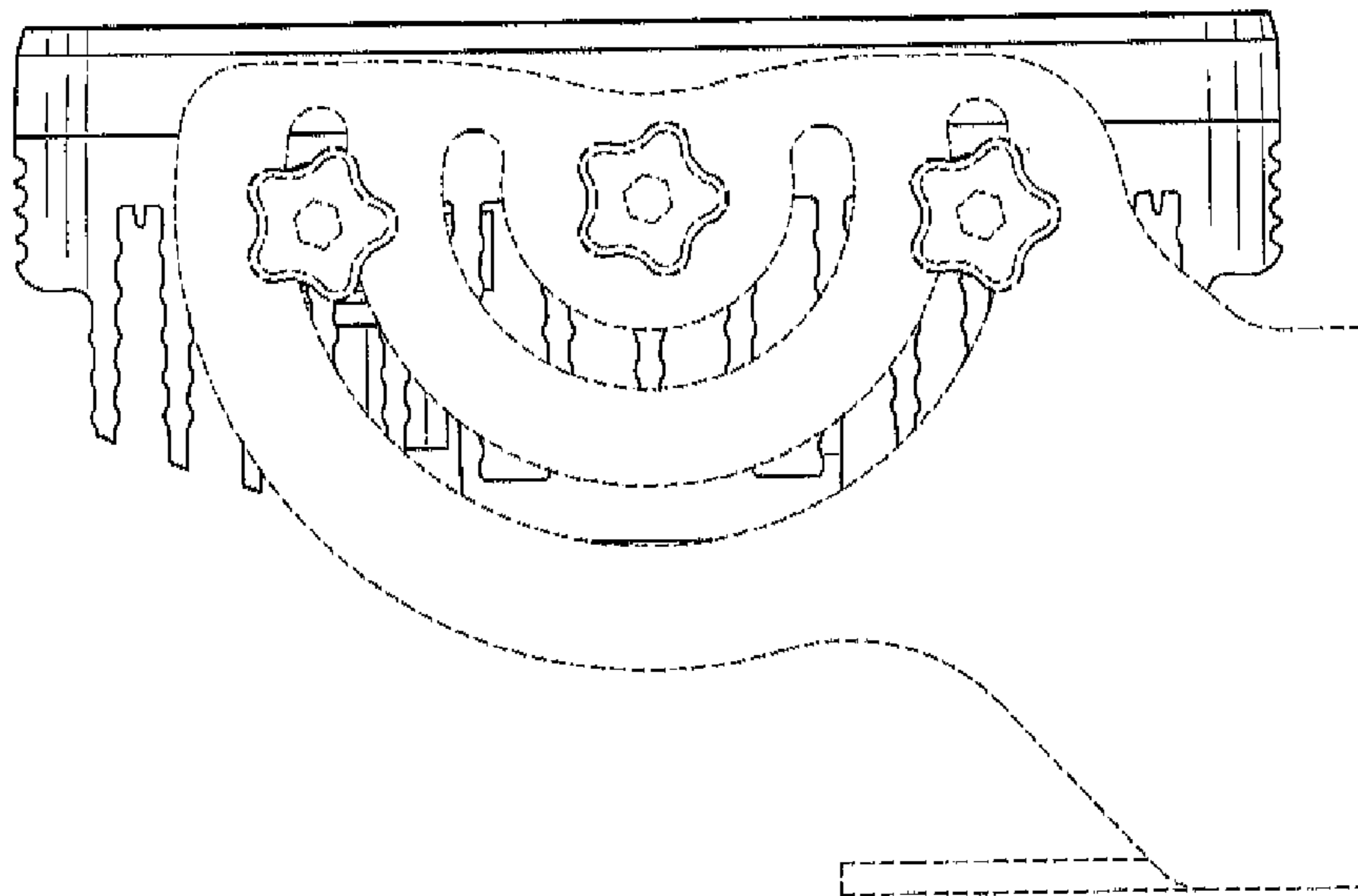


FIG. 14