



US00D674948S

(12) **United States Design Patent**
Vigil

(10) **Patent No.:** **US D674,948 S**

(45) **Date of Patent:** **** *Jan. 22, 2013**

(54) **SURFACE MOUNTABLE LIGHT**

(76) Inventor: **Aurelio A. Vigil**, Miami, FL (US)

(*) Notice: This patent is subject to a terminal disclaimer.

(**) Term: **14 Years**

(21) Appl. No.: **29/391,531**

(22) Filed: **May 10, 2011**

(51) **LOC (9) Cl.** **26-05**

(52) **U.S. Cl.** **D26/60**

(58) **Field of Classification Search** D26/60-66,
D26/72, 73, 80-83, 85-86, 88, 93, 94, 102,
D26/106, 108, 110, 112; 362/145, 147, 157,
362/158, 184, 186, 647, 211, 213, 227, 232,
362/235-241, 249.01-249.03, 249.07, 249.11,
362/257, 267, 268, 277, 285, 311.02, 319,
362/397, 404, 418, 800, 410, 413, 190, 191,
362/640, 188

See application file for complete search history.

(56) **References Cited**

U.S. PATENT DOCUMENTS

D299,550 S * 1/1989 Payne D26/42
D316,684 S * 5/1991 Bonadonna D26/60
D433,769 S * 11/2000 Liu D26/104

D454,967 S * 3/2002 Brown et al. D26/37
6,648,492 B1 * 11/2003 Shih 362/397
D512,170 S * 11/2005 Canino et al. D26/61
D530,844 S * 10/2006 Tran D26/60
D561,925 S * 2/2008 Levine D26/72
8,021,029 B2 * 9/2011 Best 362/486
2009/0103317 A1 * 4/2009 Steck et al. 362/397

* cited by examiner

Primary Examiner — Susan M Lee

Assistant Examiner — Linda G. Brooks

(74) *Attorney, Agent, or Firm* — James A. Italia; Italia IP

(57) **CLAIM**

The ornamental design for a surface mountable light, as shown and described.

DESCRIPTION

FIG. 1 is a perspective view of a surface mountable light, showing my new design;

FIG. 2 is a front elevational view of a surface mountable light;

FIG. 3 is a rear elevational view of a surface mountable light;

FIG. 4 is a left-side elevational view of a surface mountable light;

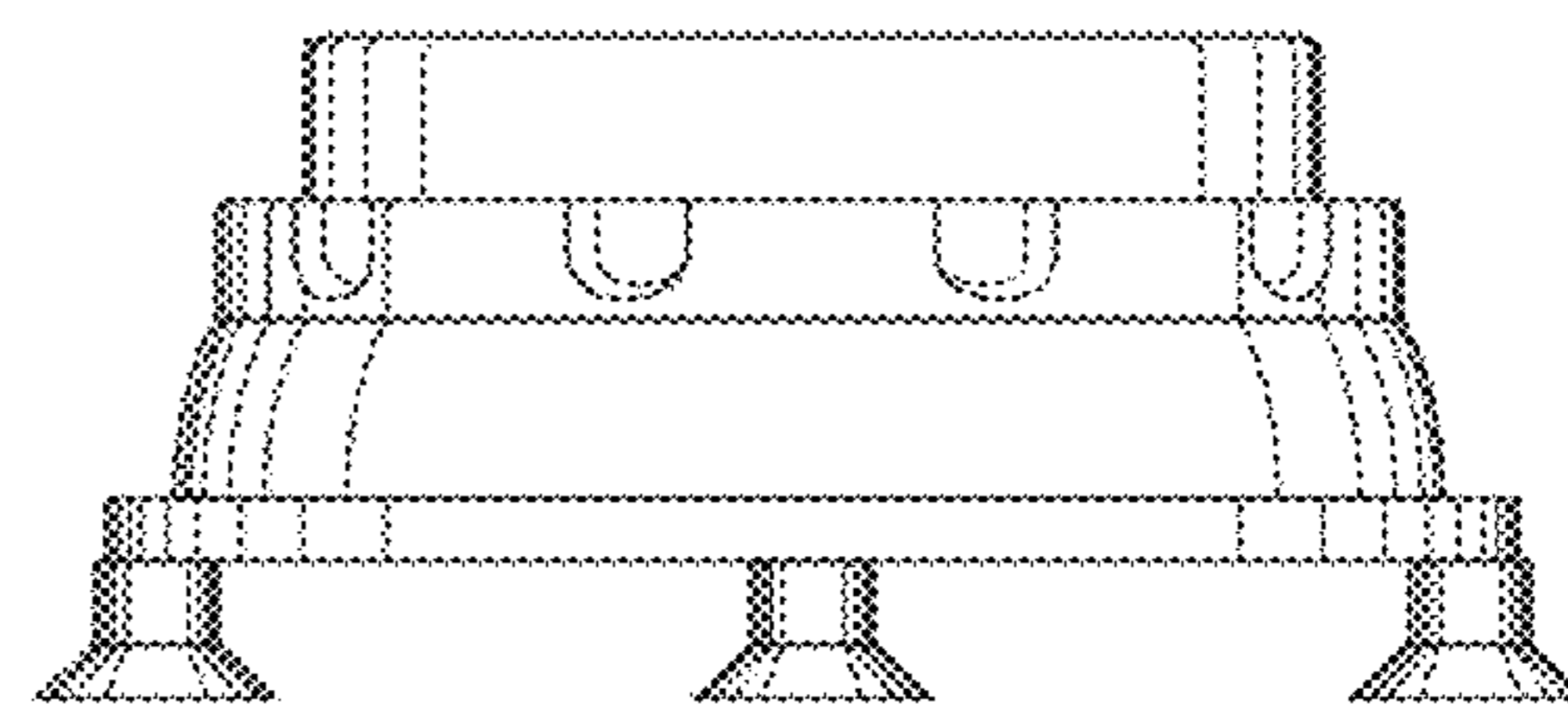
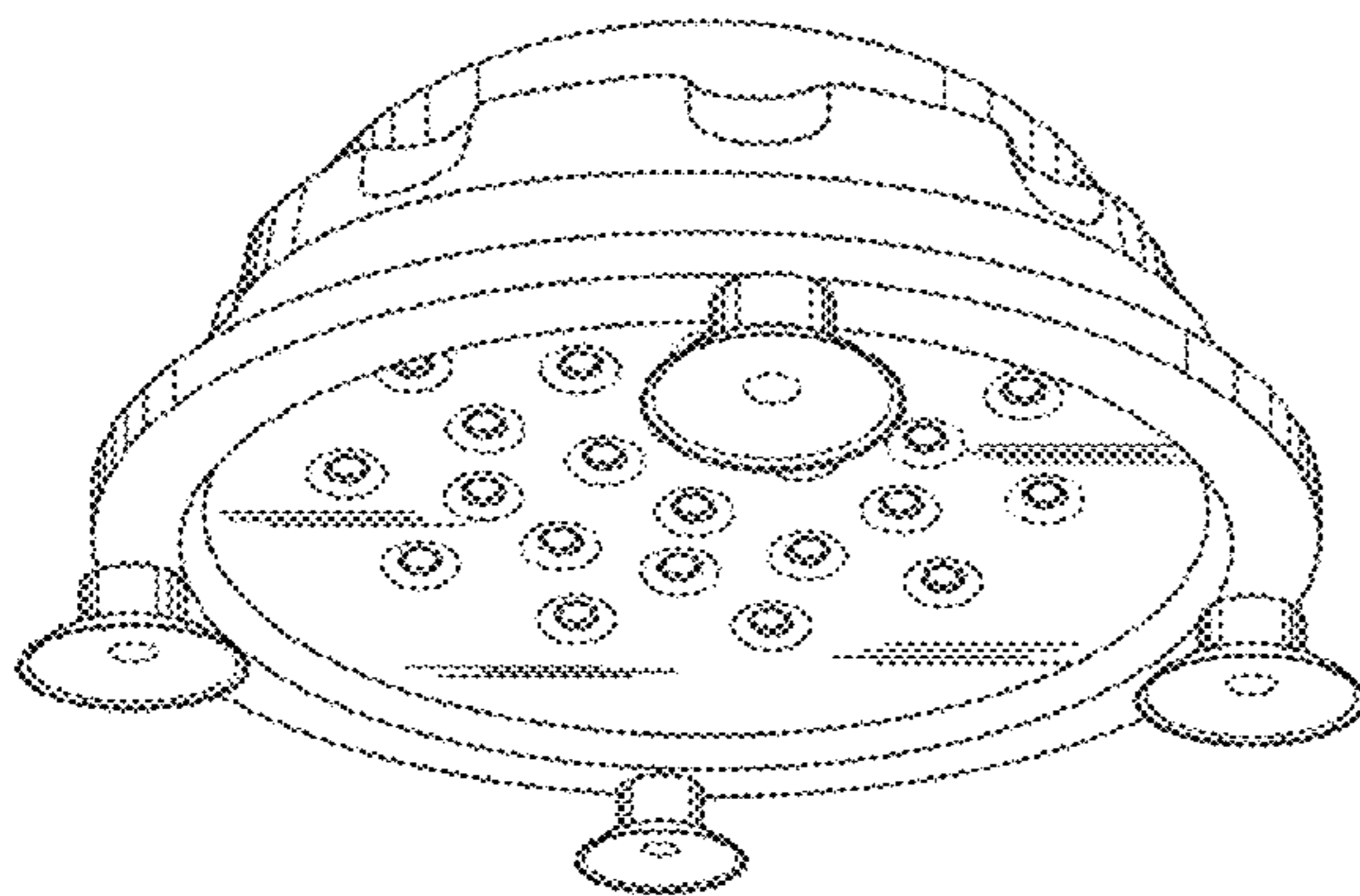
FIG. 5 is a right-side elevational view of a surface mountable light;

FIG. 6 is a top plan view of a surface mountable light; and,

FIG. 7 is a bottom plan view of a surface mountable light.

The broken lines represent unclaimed structure.

1 Claim, 4 Drawing Sheets



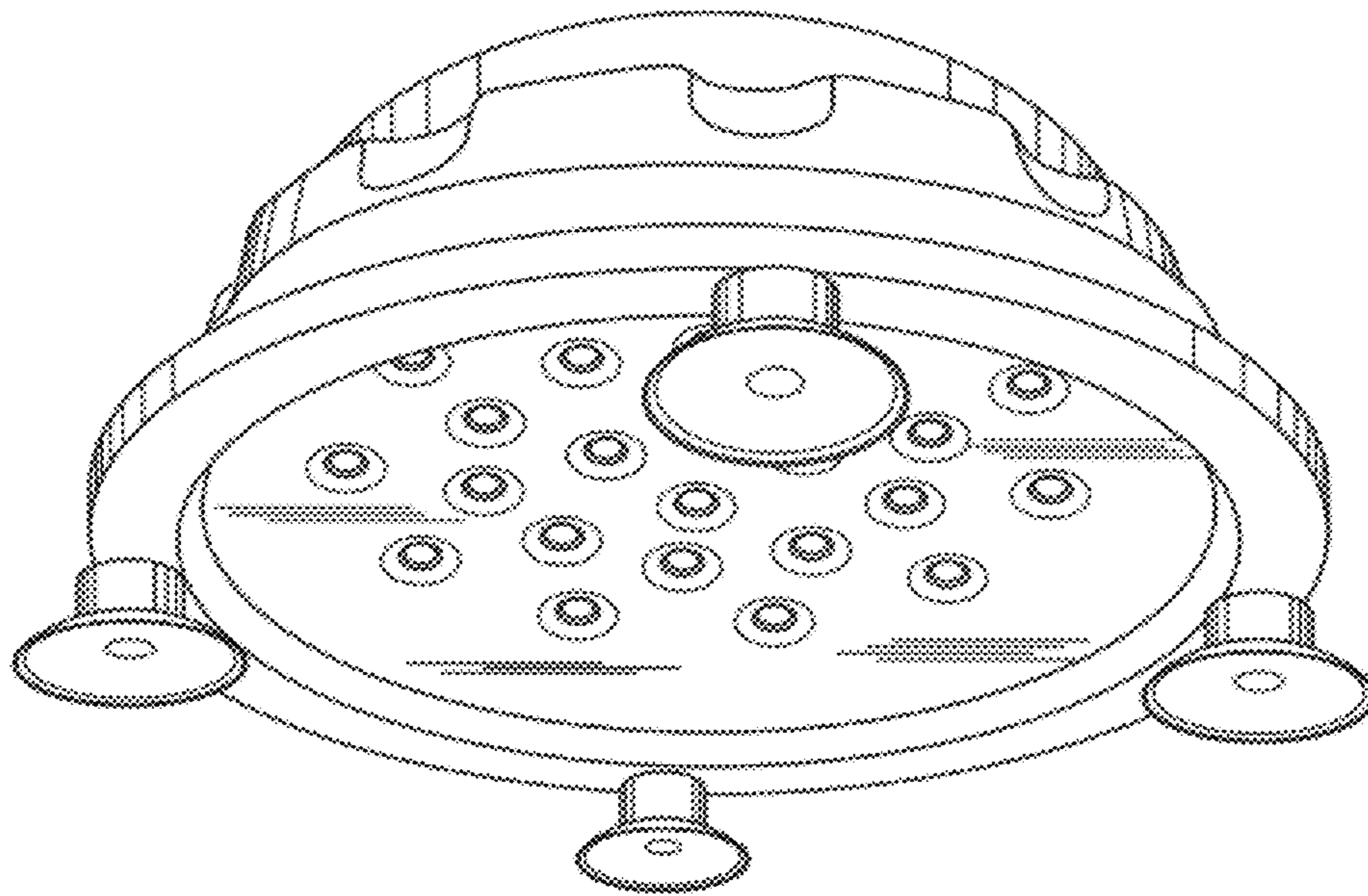


FIG. 1

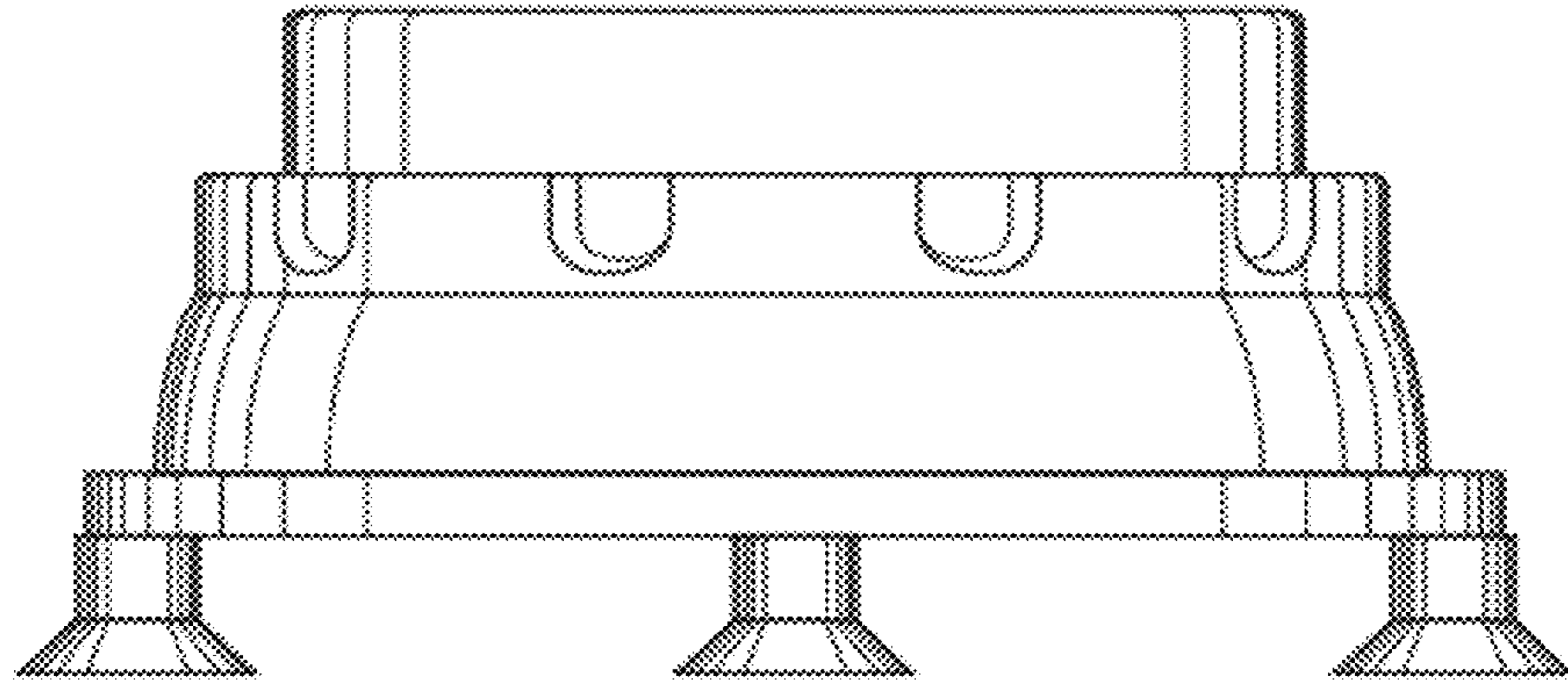


FIG. 2

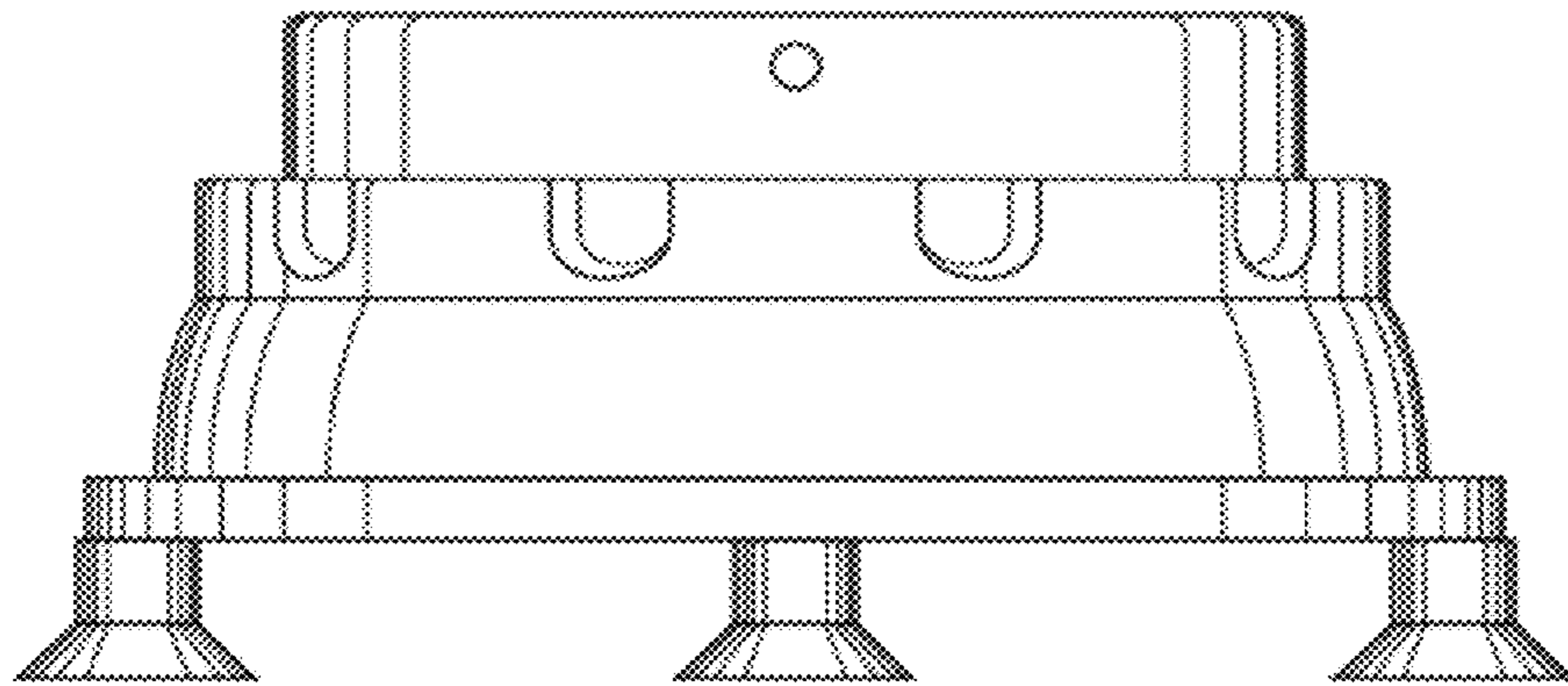


FIG. 3

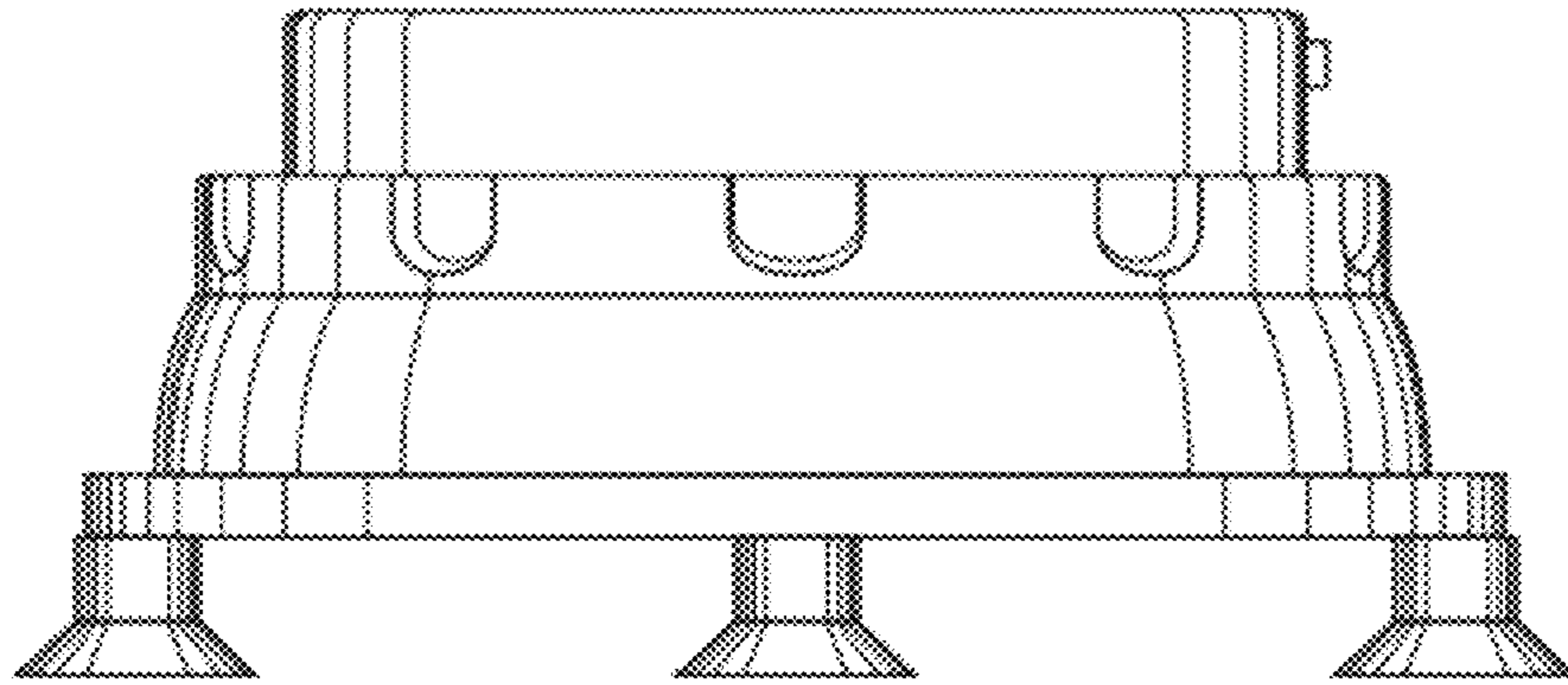


FIG. 4

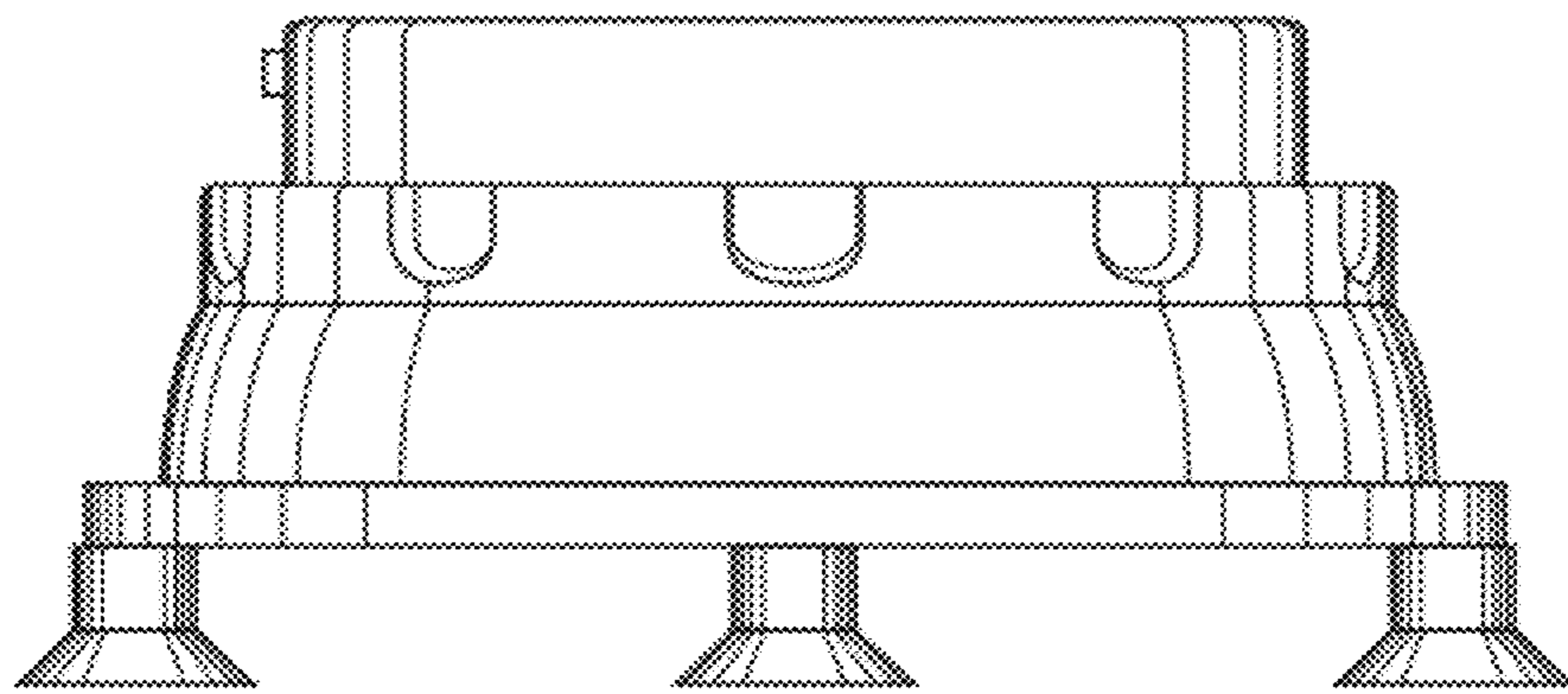


FIG. 5

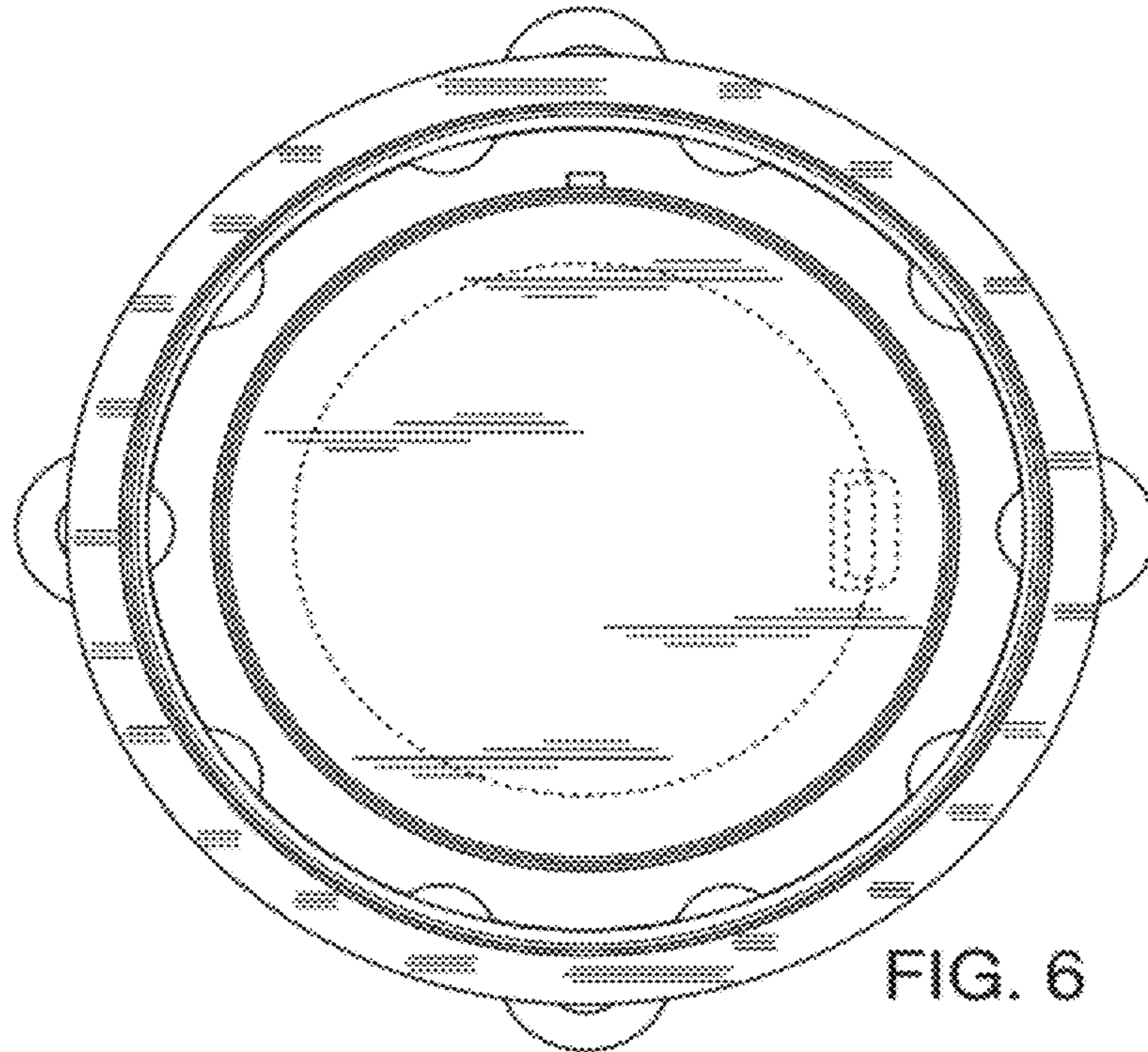


FIG. 6

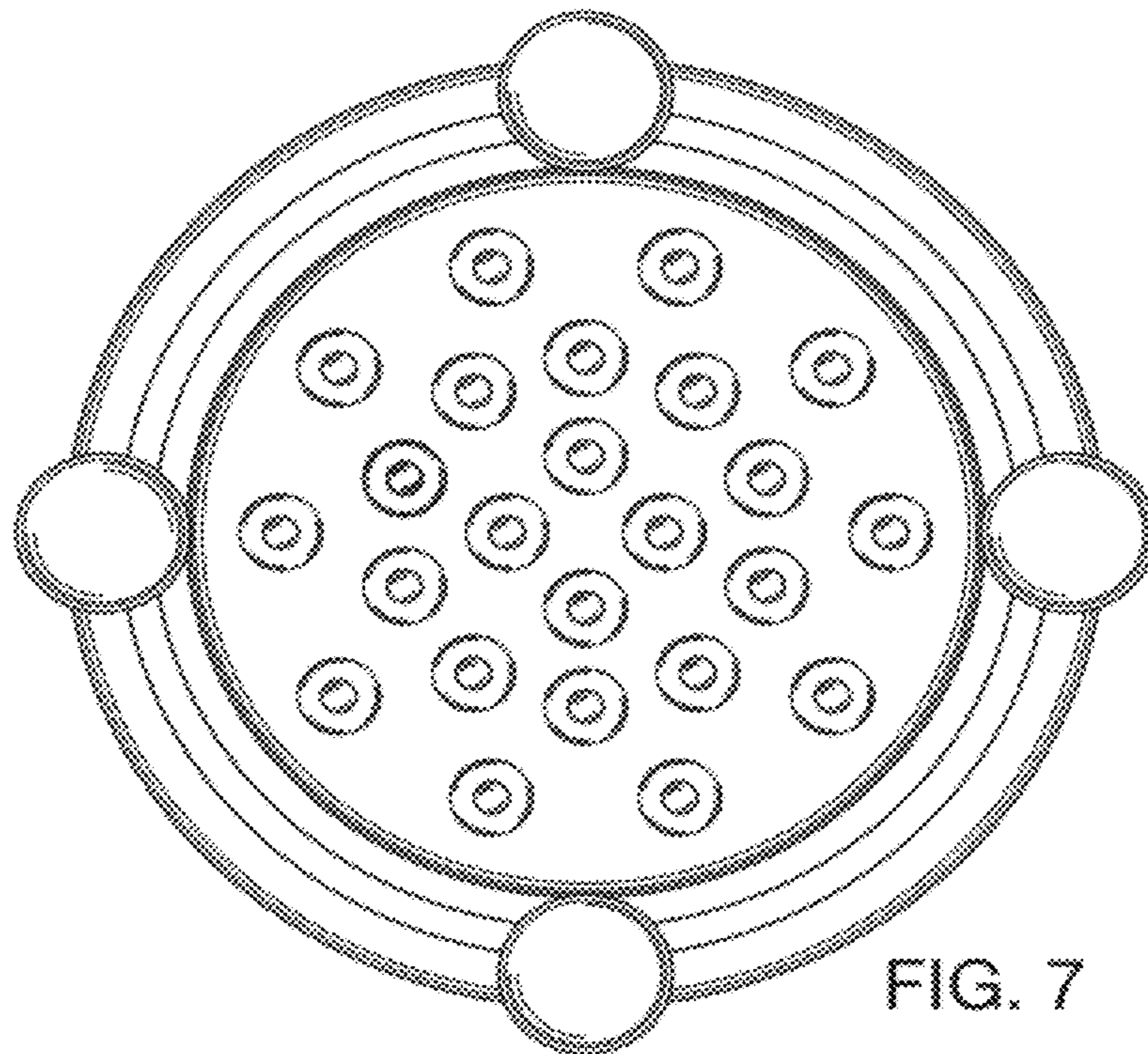


FIG. 7