



US00D674946S

(12) **United States Design Patent**
Bertken

(10) **Patent No.:** **US D674,946 S**
(45) **Date of Patent:** **** Jan. 22, 2013**

(54) **KEY CHAIN FLASHLIGHT**

(75) Inventor: **Dennis Bertken**, Del Mar, CA (US)

(73) Assignee: **Life+Gear, Inc.**, Del Mar, CA (US)

(**) Term: **14 Years**

(21) Appl. No.: **29/411,850**

(22) Filed: **Jan. 26, 2012**

(51) **LOC (9) Cl.** **26-02**

(52) **U.S. Cl.** **D26/49**

(58) **Field of Classification Search** D26/37,
D26/38, 49, 46; 362/157, 158, 184, 194-196,
362/202-208; D3/209

See application file for complete search history.

(56) **References Cited**

U.S. PATENT DOCUMENTS

D314,178	S	*	1/1991	Reber	D13/144
5,690,509	A	*	11/1997	Eisenbraun	439/490
D544,622	S	*	6/2007	Cheng	D26/46
D574,528	S	*	8/2008	Witte	D26/49
D590,084	S	*	4/2009	Witte	D26/46
D601,736	S	*	10/2009	Swan	D26/49
D632,817	S	*	2/2011	Wang	D26/49
D636,512	S	*	4/2011	Heath et al.	D26/49

D647,232	S	*	10/2011	Liu	D26/49
D647,654	S	*	10/2011	Li	D26/49
D659,869	S	*	5/2012	Prieto	D26/49

* cited by examiner

Primary Examiner — Ian Simmons

Assistant Examiner — Carissa C Fitts

(74) *Attorney, Agent, or Firm* — Marger Johnson & McCollom, P.C.

(57) **CLAIM**

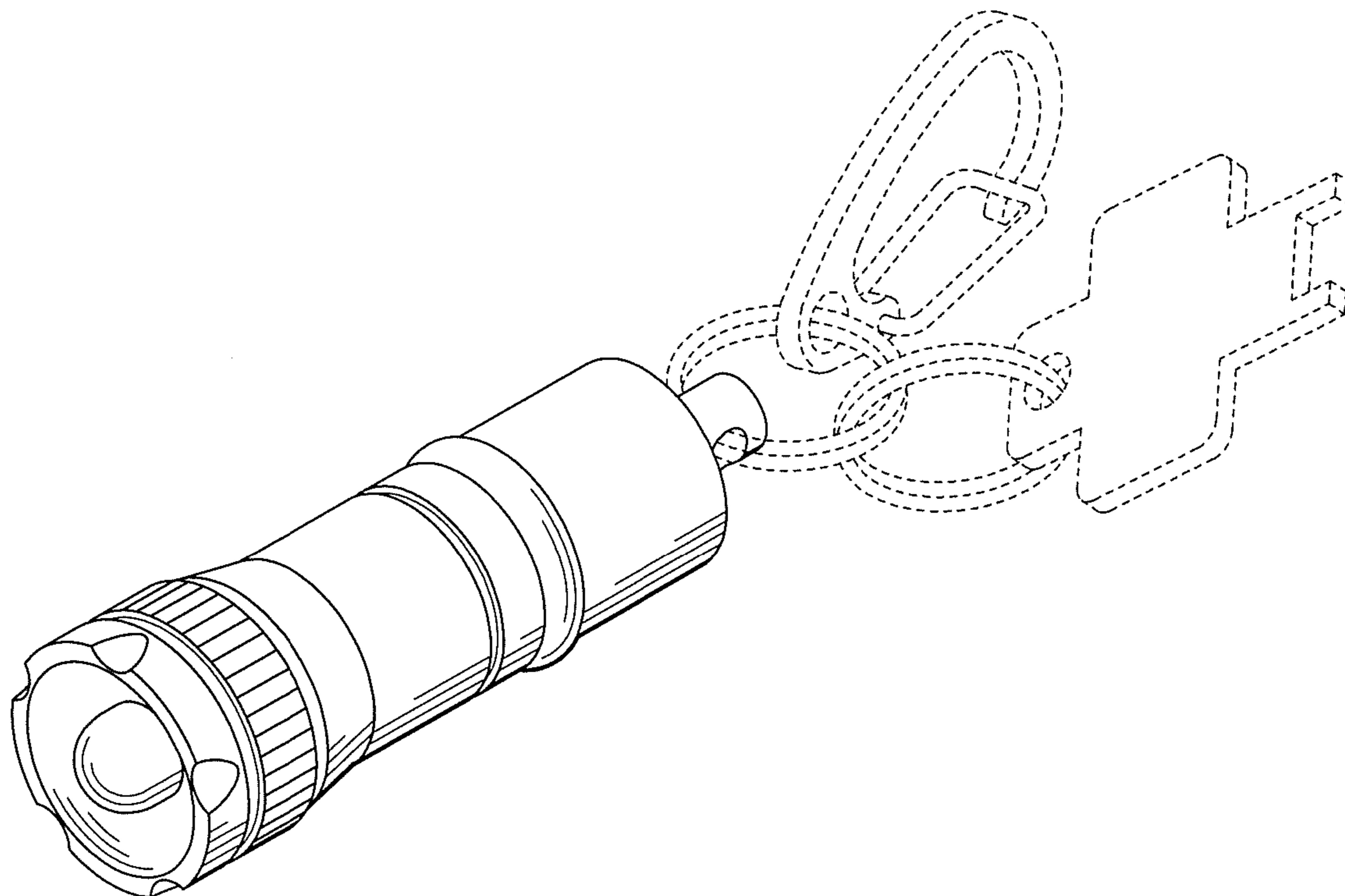
The ornamental design for a key chain flashlight, as shown and described.

DESCRIPTION

FIG. 1 is a frontward perspective view of the key chain flashlight device according to the present design;
FIG. 2 is a rearward perspective view of the key chain flashlight device of FIG. 1 according to the present design;
FIG. 3 is a left side, elevation view, the right side being a mirror image thereof;
FIG. 4 is a front elevation view thereof;
FIG. 5 is a rear elevation view thereof;
FIG. 6 is a top plan view thereof; and,
FIG. 7 is a bottom plan view thereof.

The broken line showing in FIG. 1 is for environmental purposes only and forms no part of the claimed design.

1 Claim, 2 Drawing Sheets



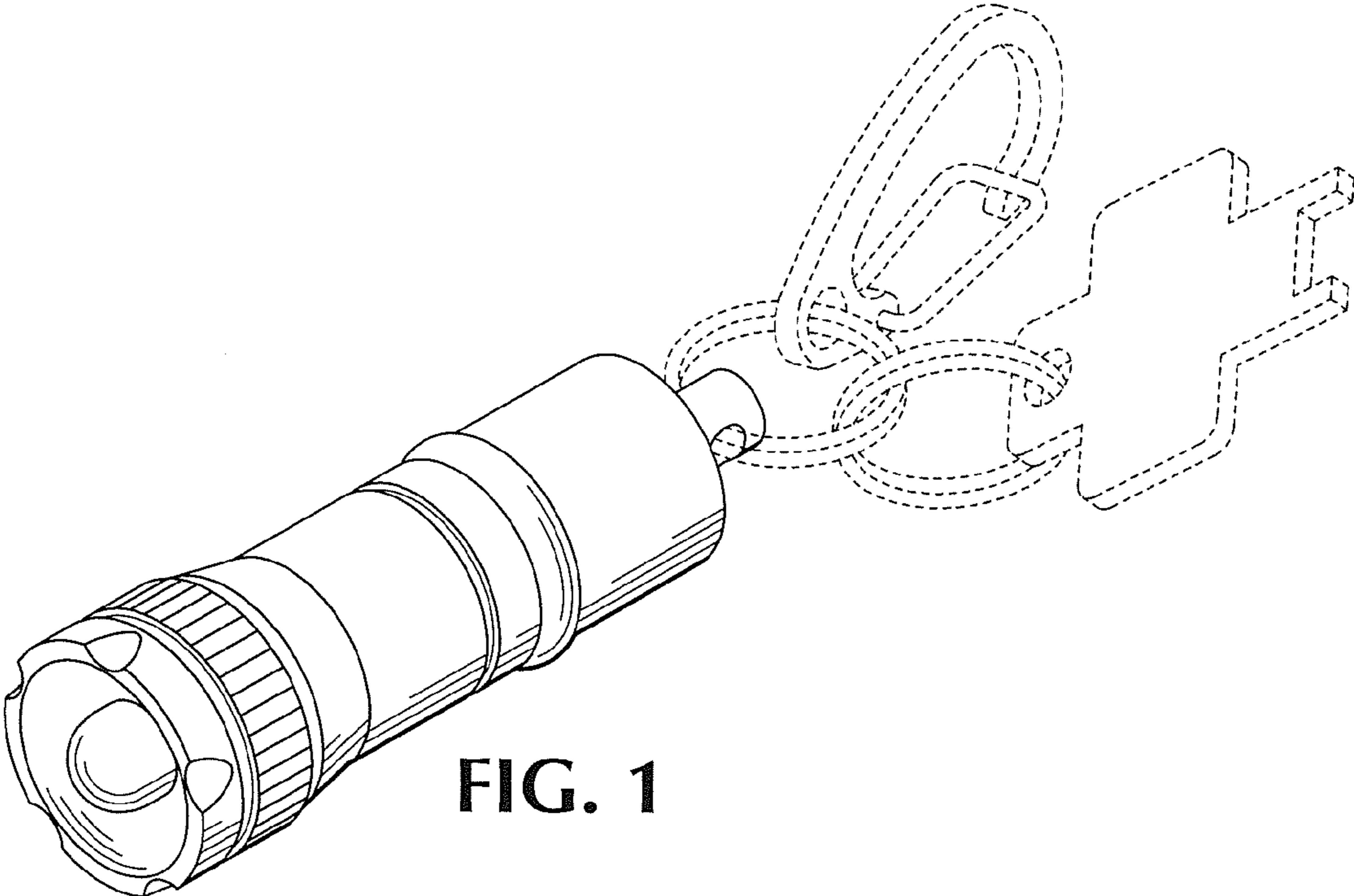


FIG. 1

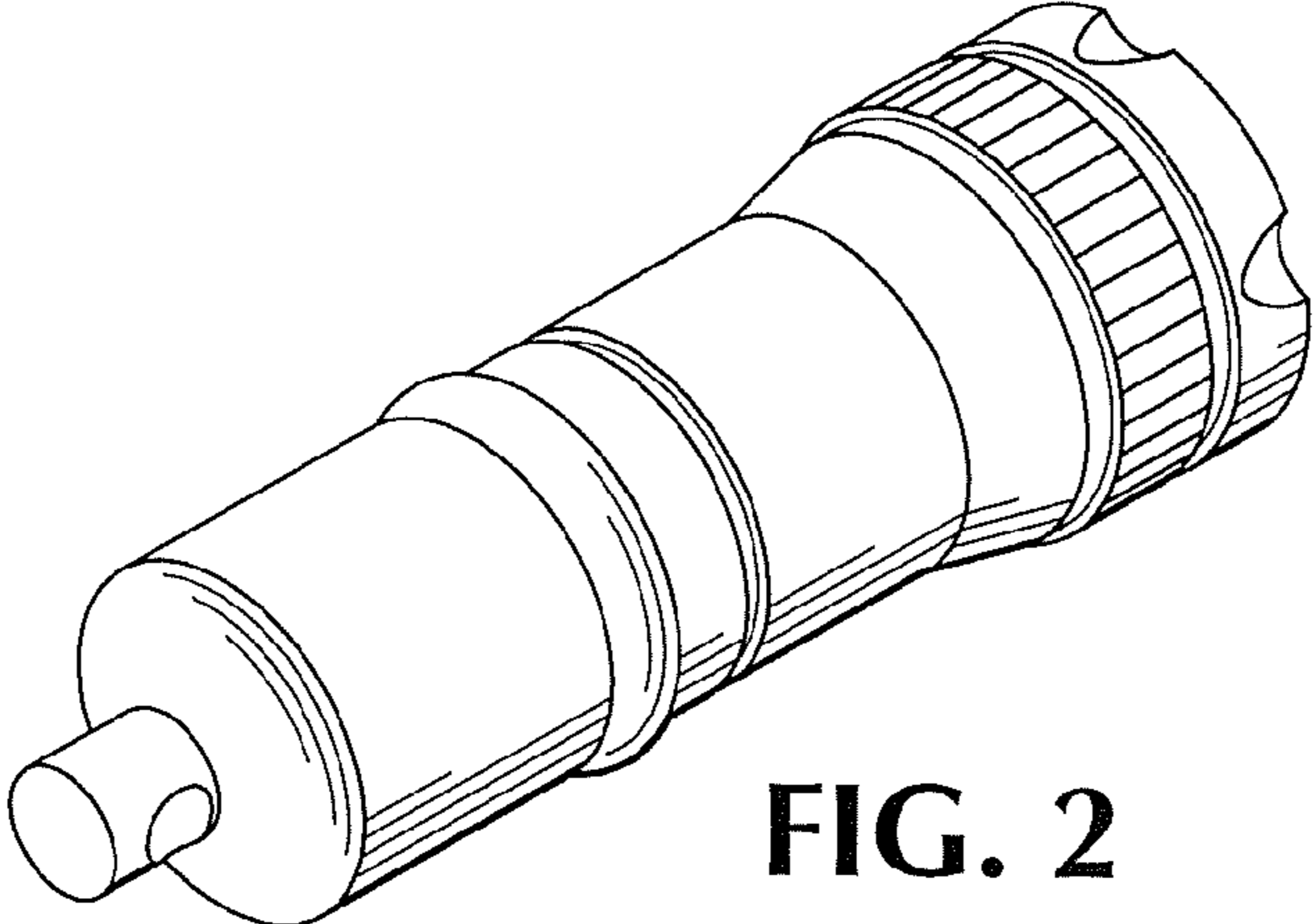


FIG. 2

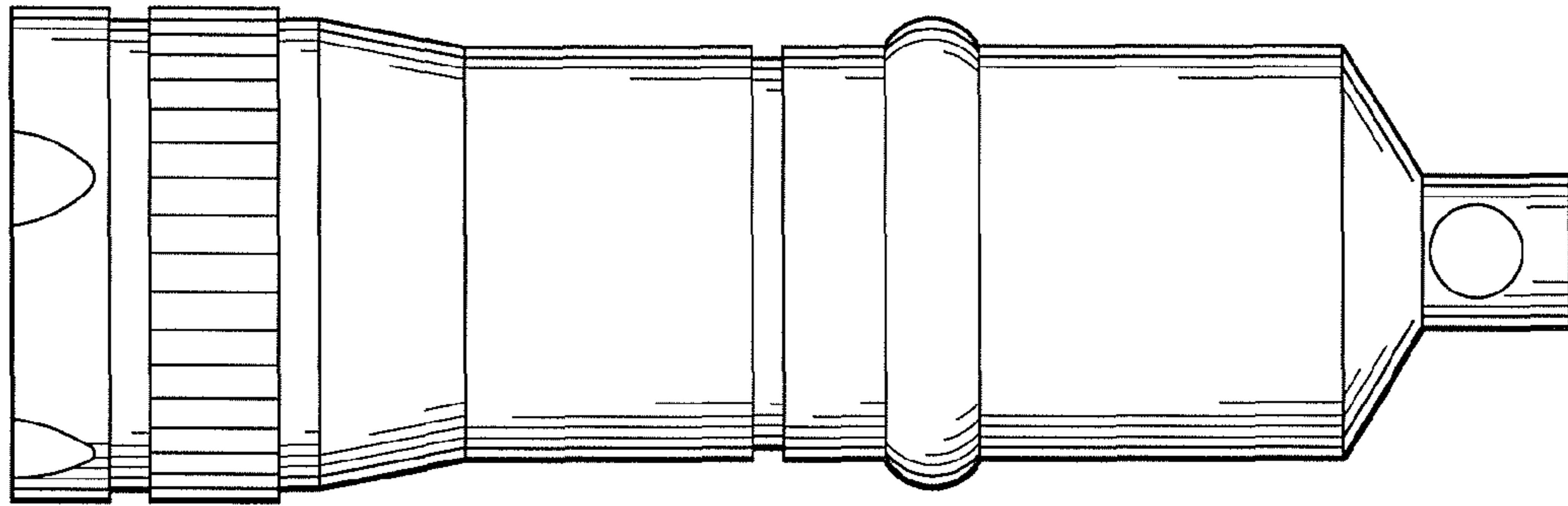


FIG. 3

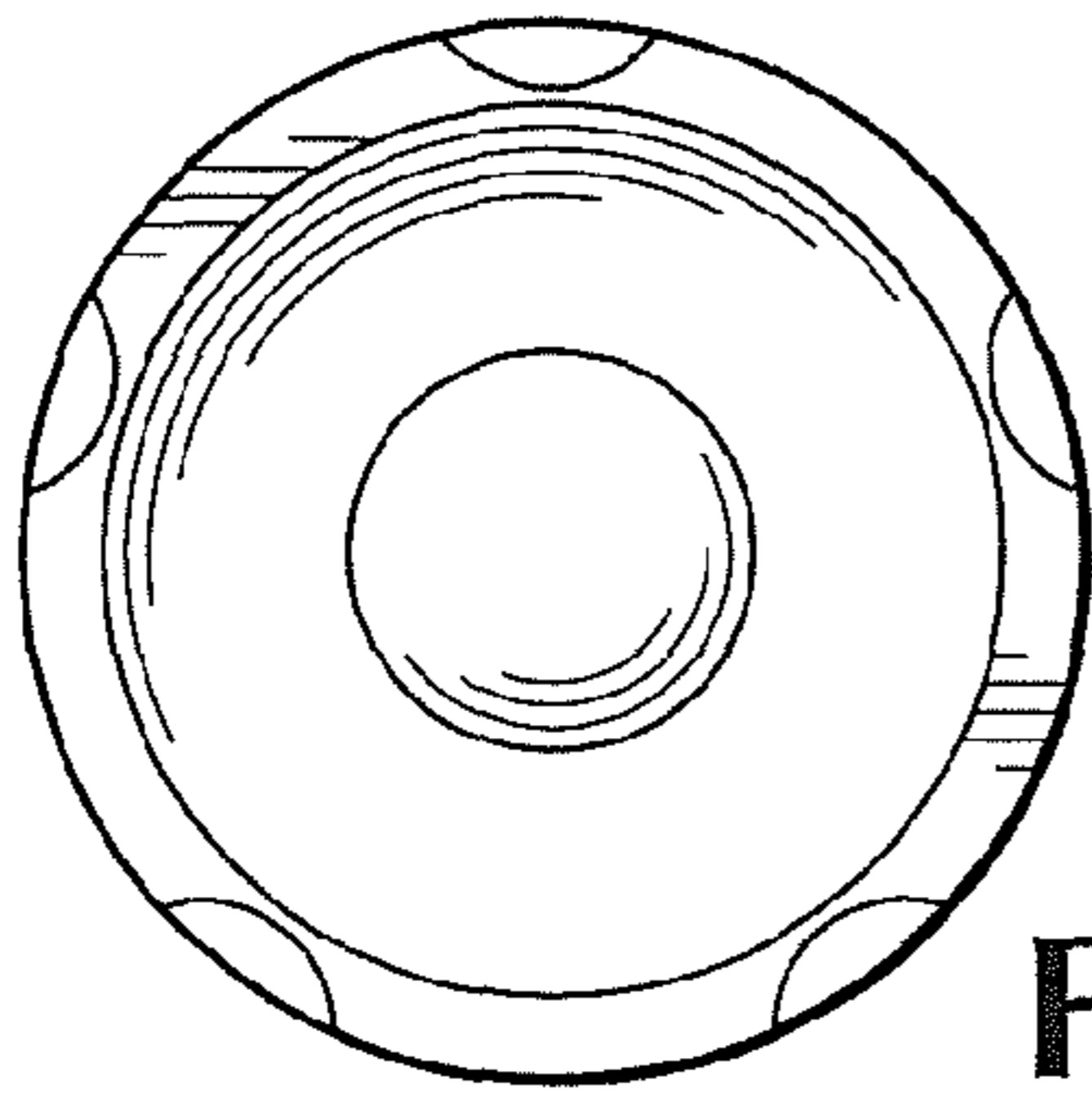


FIG. 4

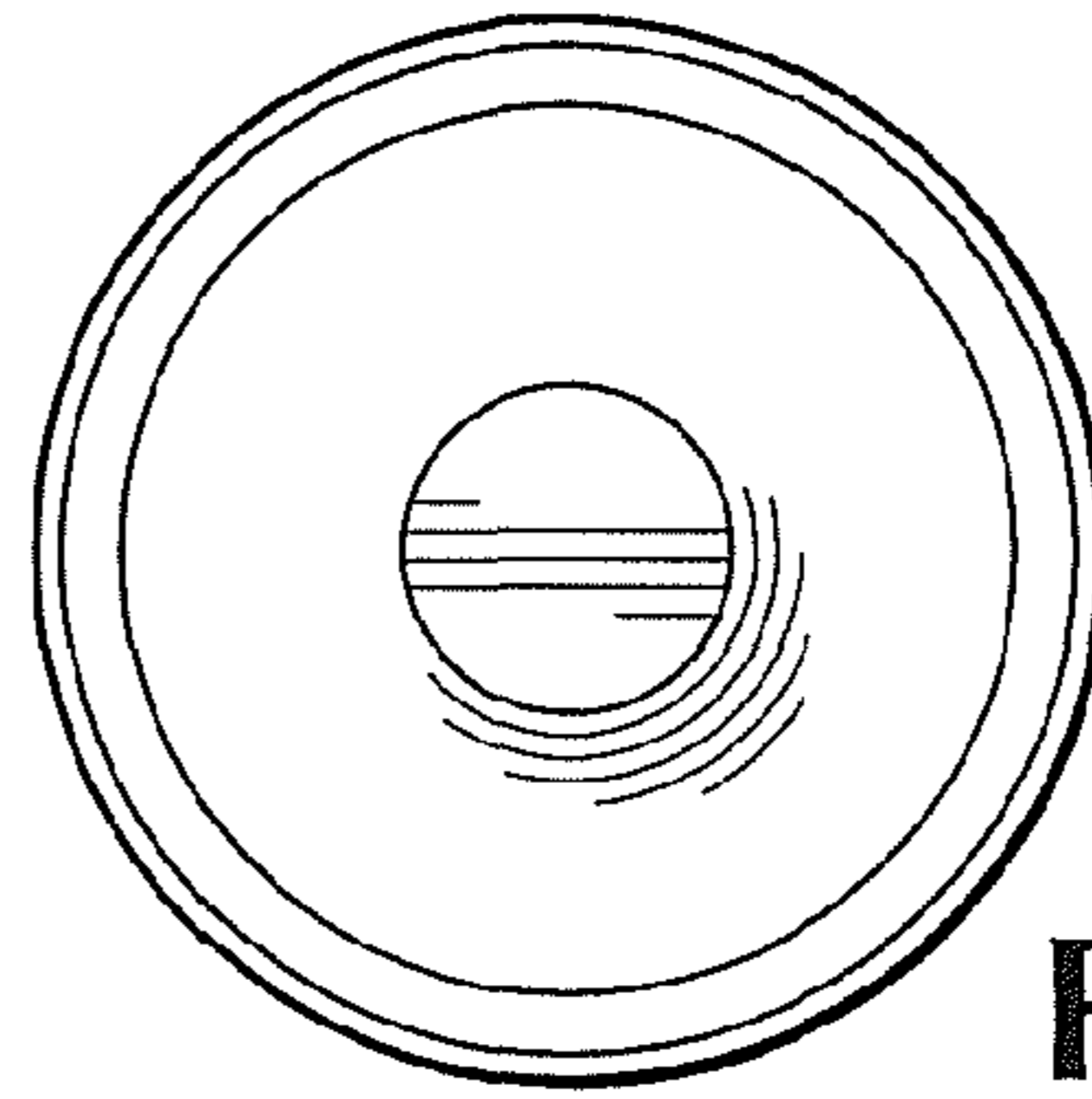


FIG. 5

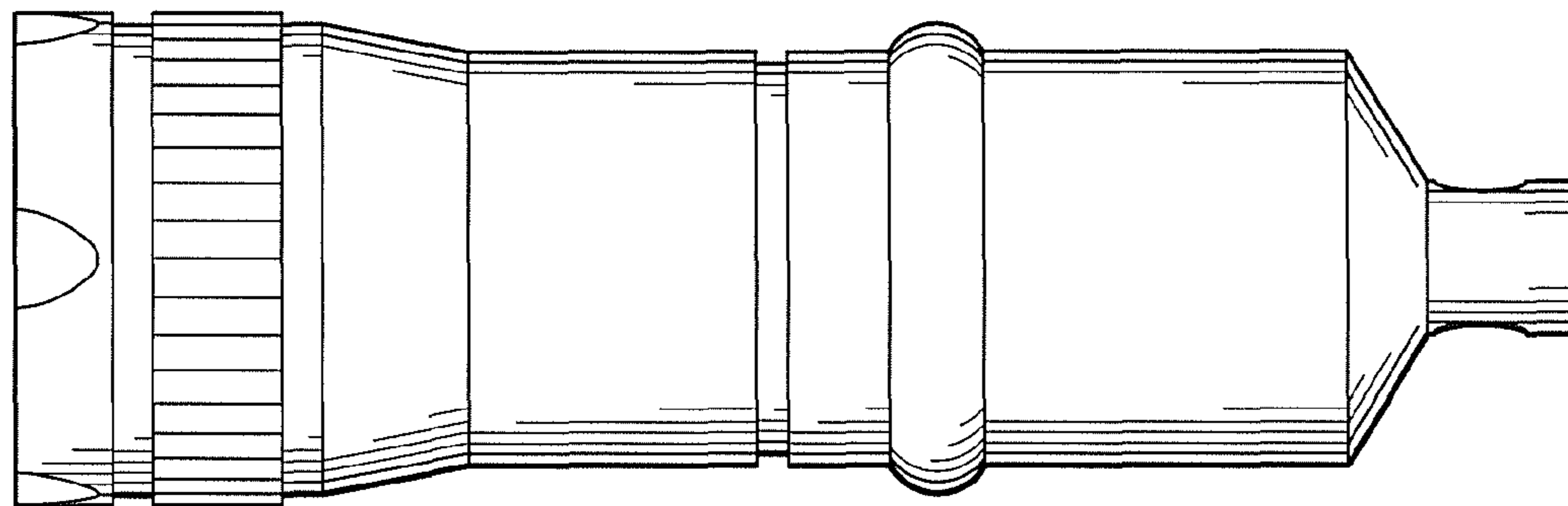


FIG. 6

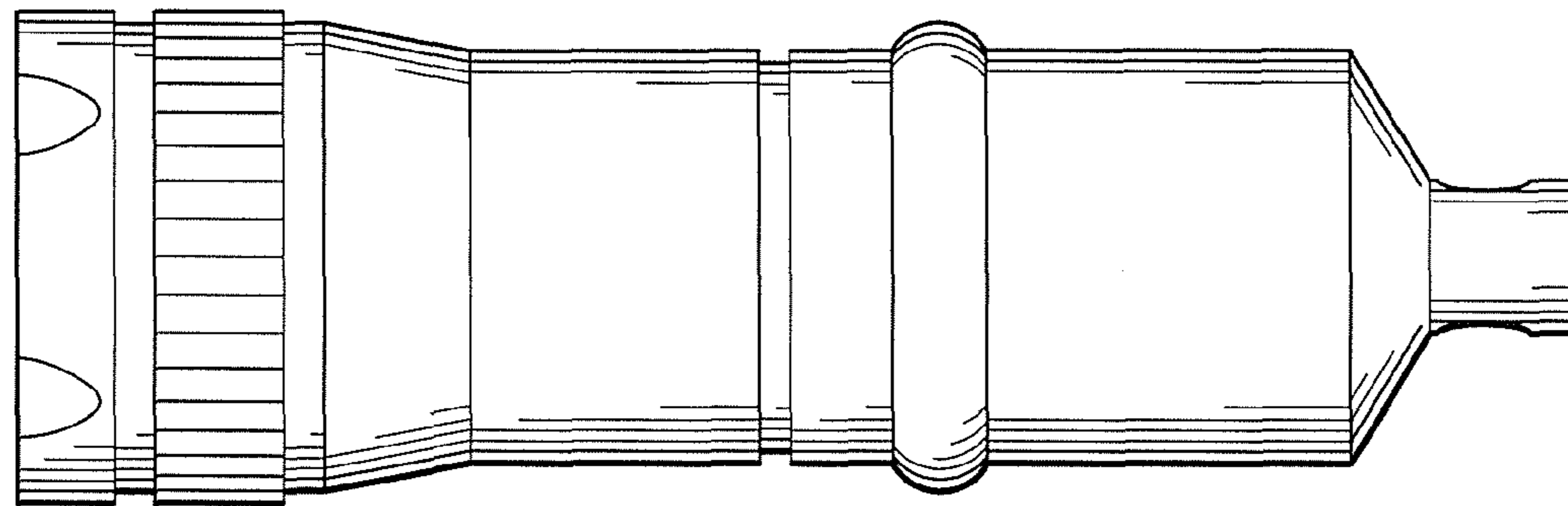


FIG. 7