



US00D674945S

(12) **United States Design Patent**  
**Bertken**

(10) **Patent No.:** **US D674,945 S**

(45) **Date of Patent:** **\*\* Jan. 22, 2013**

(54) **LANTERN**

(75) **Inventor:** **Dennis Bertken**, Del Mar, CA (US)

(73) **Assignee:** **Life+Gear, Inc.**, Del Mar, CA (US)

(\*\*) **Term:** **14 Years**

(21) **Appl. No.:** **29/407,469**

(22) **Filed:** **Nov. 29, 2011**

(51) **LOC (9) Cl.** ..... **26-02**

(52) **U.S. Cl.** ..... **D26/40**

(58) **Field of Classification Search** ..... D26/37,  
D26/40-42; 362/157, 158, 171-174, 183,  
362/184, 186

See application file for complete search history.

(56) **References Cited**

**U.S. PATENT DOCUMENTS**

D374,098 S *	9/1996	Lo	.....	D26/37
D393,323 S *	4/1998	Howard et al.	.....	D26/41
D421,660 S *	3/2000	Shing	.....	D26/40
D433,762 S *	11/2000	Yuen	.....	D26/40
D443,088 S *	5/2001	Skidmore et al.	.....	D26/40
D468,039 S *	12/2002	Poon	.....	D26/40
D474,553 S *	5/2003	Poon	.....	D26/40

D486,932 S *	2/2004	Dario et al.	.....	D26/40
D524,968 S *	7/2006	Poon	.....	D26/40
D553,774 S *	10/2007	Leung et al.	.....	D26/40
D556,928 S *	12/2007	Poon	.....	D26/40

\* cited by examiner

*Primary Examiner* — Ian Simmons

*Assistant Examiner* — Carissa C Fitts

(74) *Attorney, Agent, or Firm* — Marger Johnson & McCollom, P.C.

(57) **CLAIM**

The ornamental design for a lantern, as shown and described.

**DESCRIPTION**

FIG. 1 is a perspective view of a lantern, showing my new design;

FIG. 2 is a front elevation view thereof;

FIG. 3 is a rear elevation thereof;

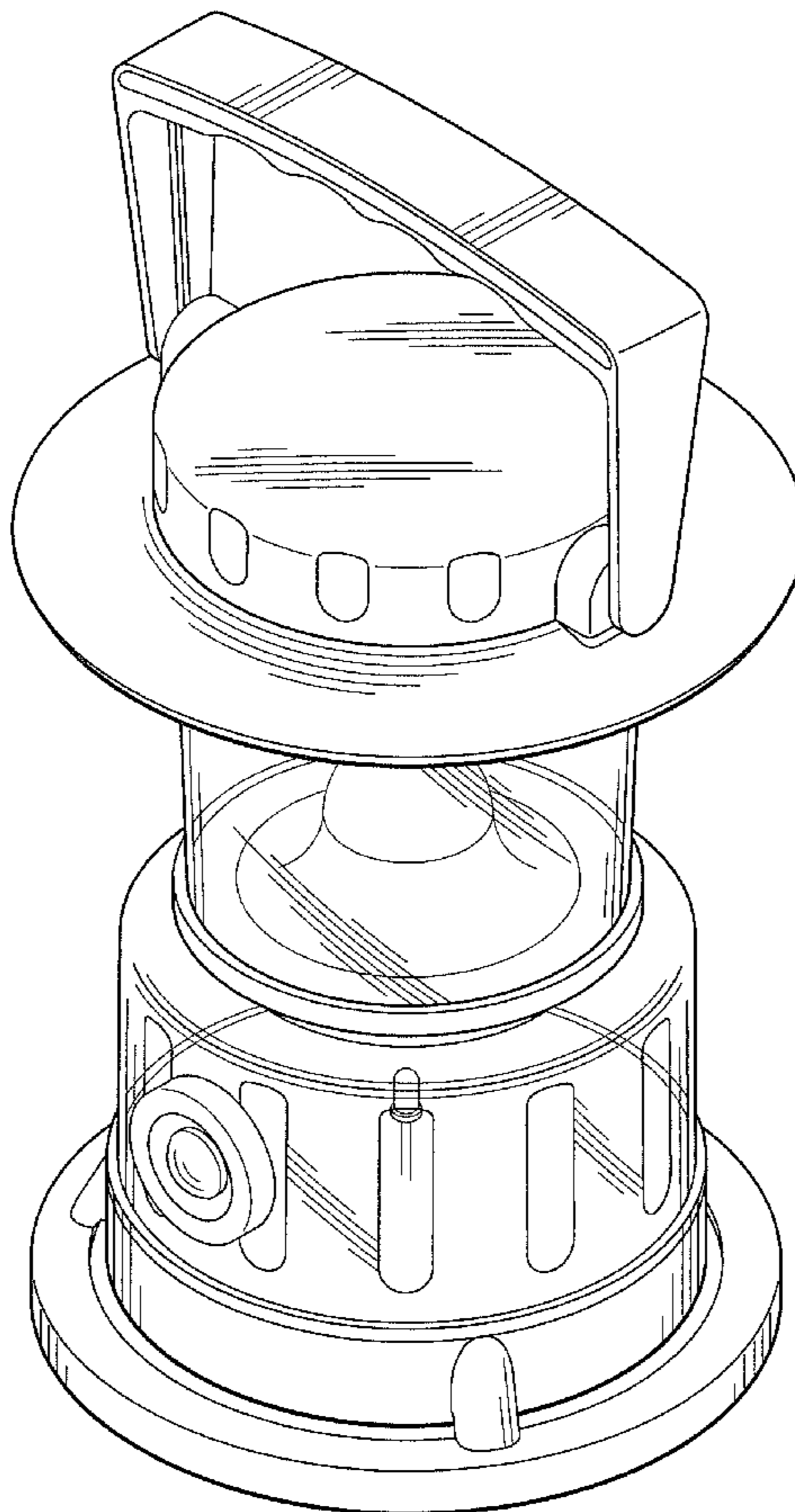
FIG. 4 is a left side, elevation view, the right side being a mirror image thereof;

FIG. 5 is a top plan view thereof; and,

FIG. 6 is a bottom plan view thereof.

The broken lines shown is for environmental purposes only and forms no part of the claimed design.

**1 Claim, 5 Drawing Sheets**



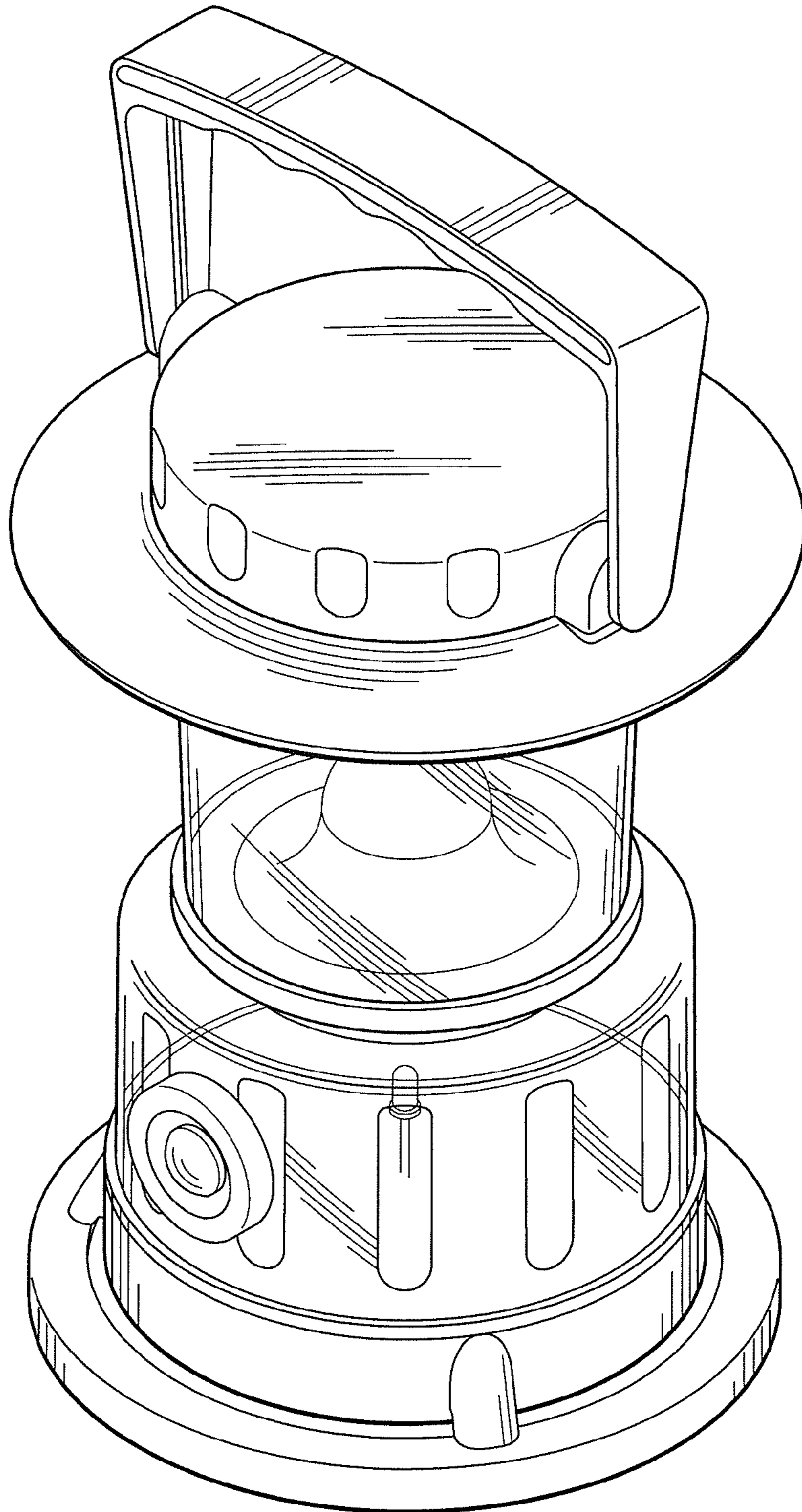


FIG. 1

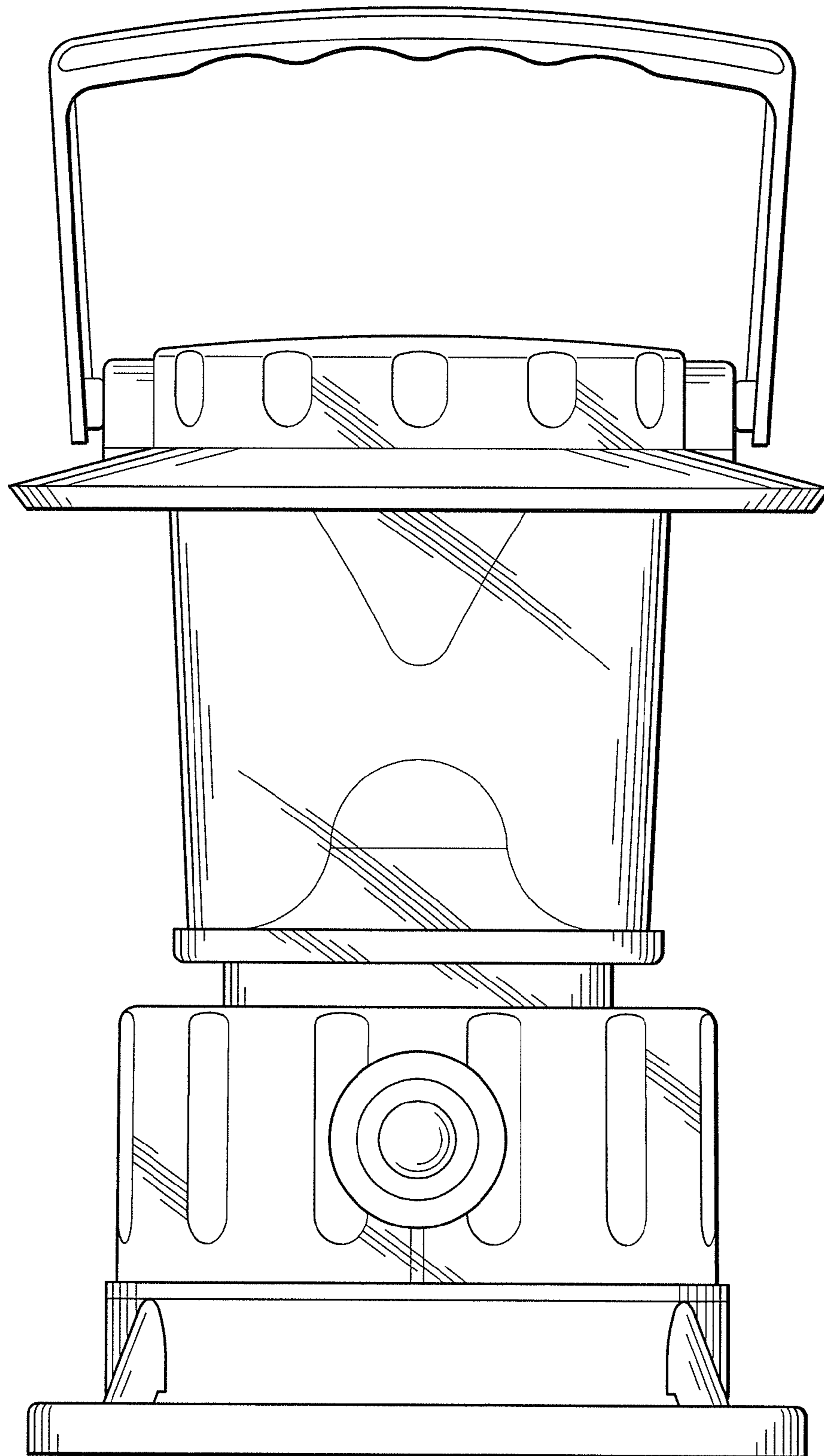


FIG. 2

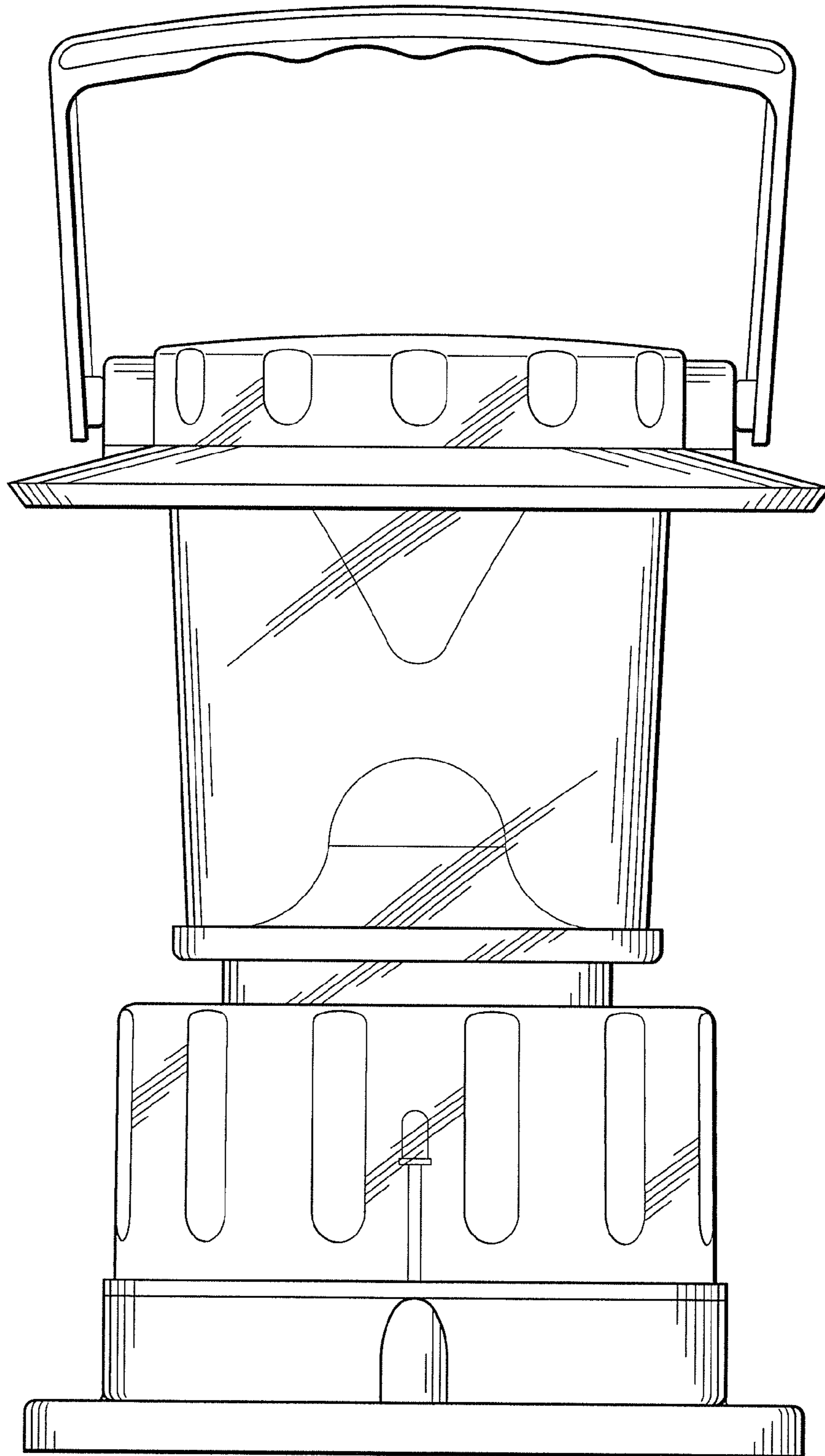


FIG. 3



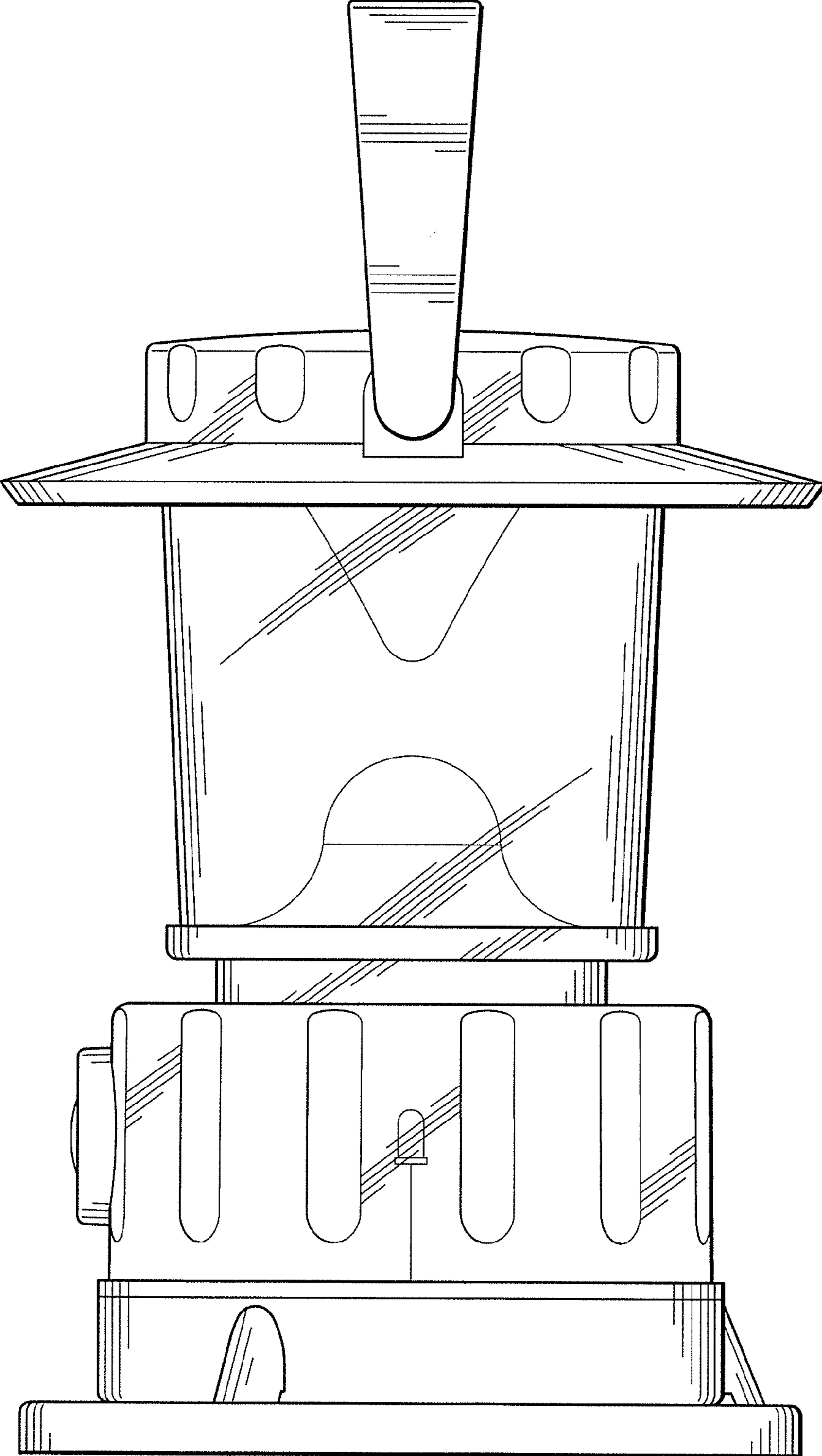


FIG. 4

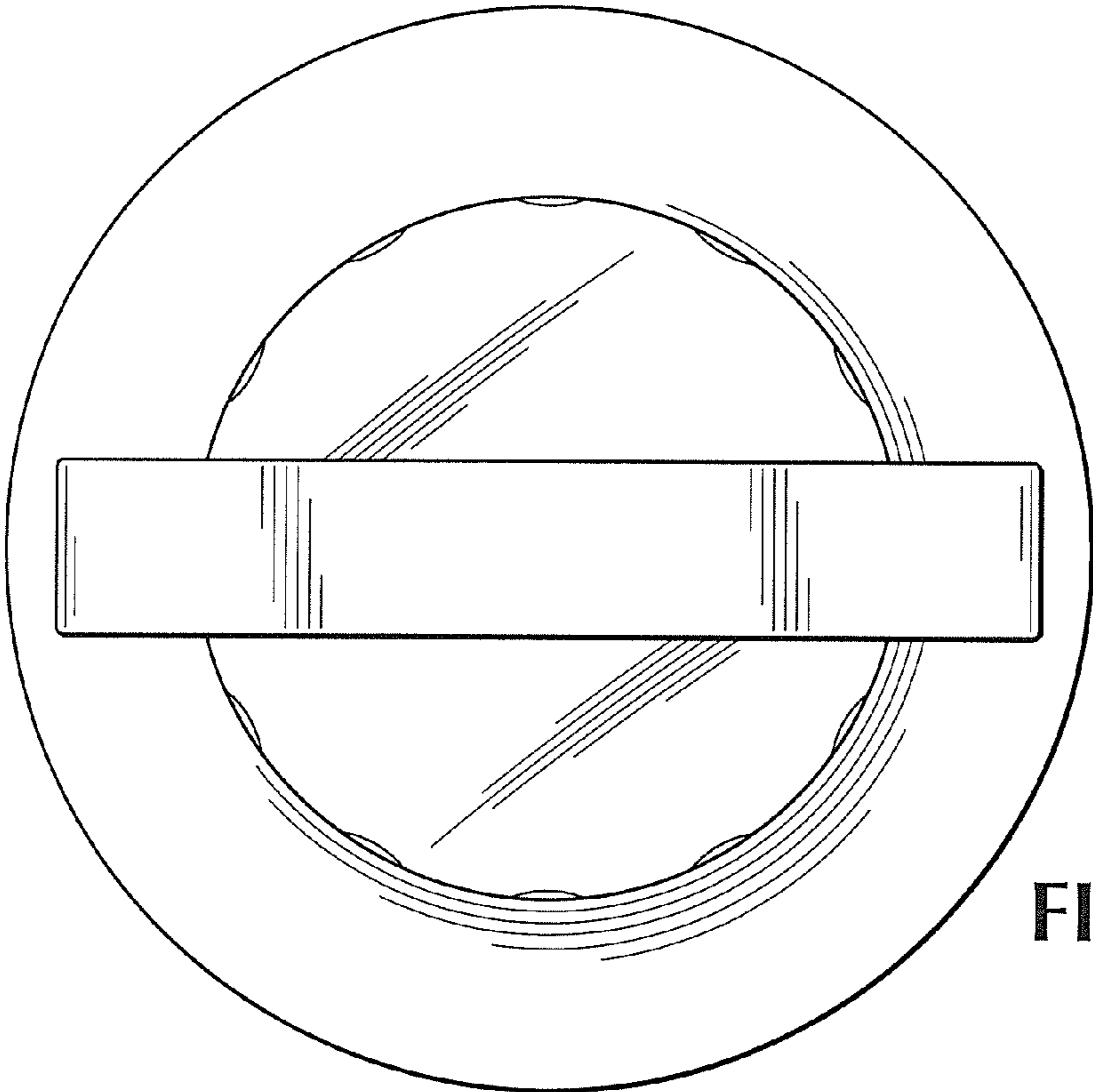


FIG. 5

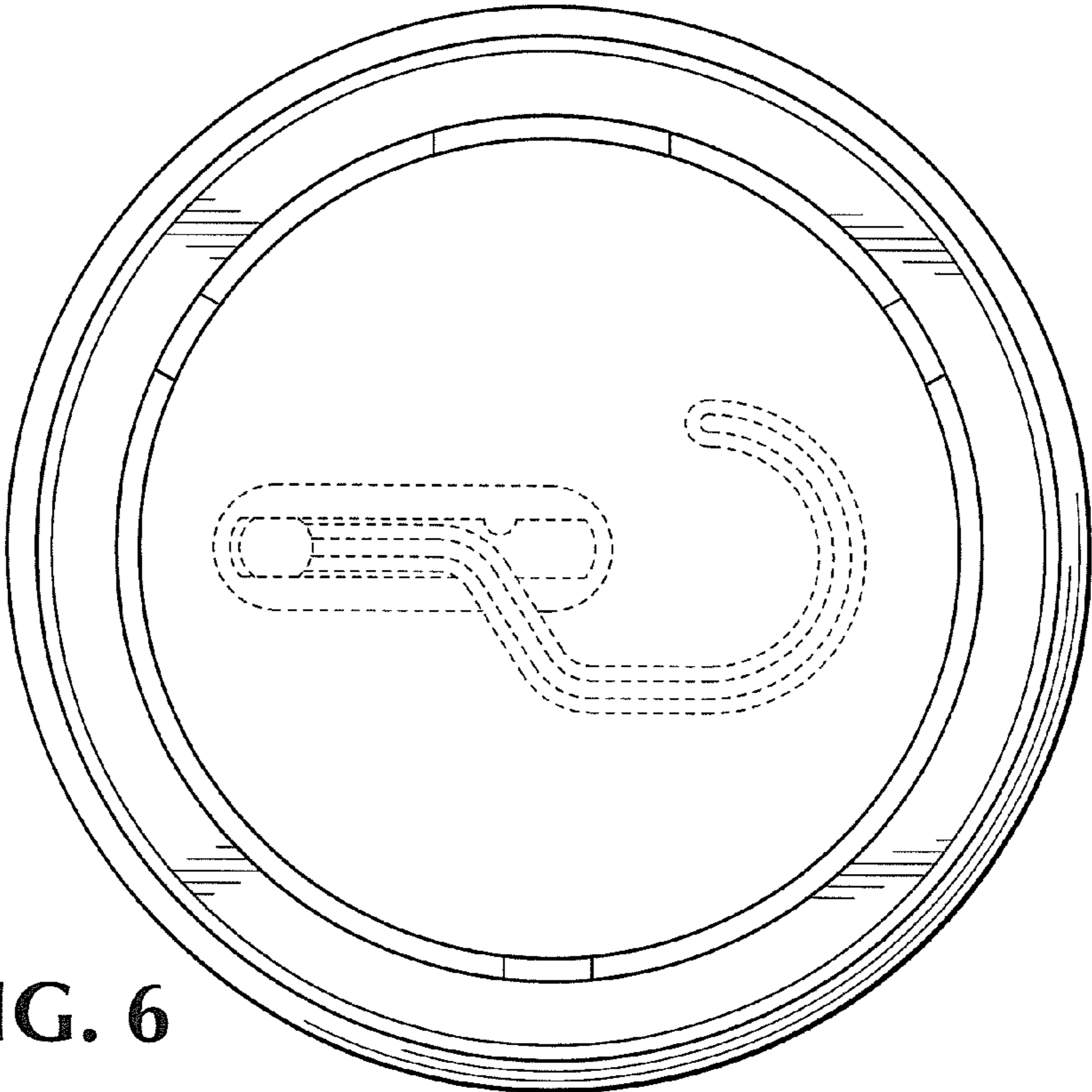


FIG. 6