



US00D674943S

(12) **United States Design Patent**  
**Sheikh et al.**

(10) **Patent No.:** **US D674,943 S**

(45) **Date of Patent:** **\*\* Jan. 22, 2013**

(54) **COMBINED FLASHLIGHT AND STUN GUN**

(76) Inventors: **Yasar Sheikh**, Sanford, FL (US);  
**Shabbir Sheikh**, Sanford, FL (US)

(\*\*) Term: **14 Years**

(21) Appl. No.: **29/410,156**

(22) Filed: **Jan. 4, 2012**

(51) **LOC (9) Cl.** ..... **26-02**

(52) **U.S. Cl.** ..... **D26/38; D22/117**

(58) **Field of Classification Search** ..... D26/37,  
D26/38, 40, 42, 46, 49, 51; 362/157, 158,  
362/184, 194–208, 253; D22/117

See application file for complete search history.

(56) **References Cited**

**U.S. PATENT DOCUMENTS**

4,968,034	A	*	11/1990	Hsieh	.....	463/47.3
D513,334	S	*	12/2005	Galey	.....	D26/37
D541,454	S	*	4/2007	Galey	.....	D26/49
7,278,764	B2	*	10/2007	Kim	.....	362/382
D585,577	S	*	1/2009	Bonis	.....	D26/49
D586,025	S	*	2/2009	Bonis	.....	D26/49
D599,928	S	*	9/2009	Shiu	.....	D26/49
D603,988	S	*	11/2009	Sharrah	.....	D26/49
D611,115	S	*	3/2010	Pennington	.....	D22/117
D629,544	S	*	12/2010	Deguglimo et al.	.....	D26/49
D629,546	S	*	12/2010	Deguglimo et al.	.....	D26/49

D646,346	S	*	10/2011	Rae	.....	D22/117
D647,232	S	*	10/2011	Liu	.....	D26/49
D647,654	S	*	10/2011	Li	.....	D26/49
D666,344	S	*	8/2012	Lee	.....	D26/49

\* cited by examiner

*Primary Examiner* — Ian Simmons

*Assistant Examiner* — Carissa C Fitts

(74) *Attorney, Agent, or Firm* — QuickPatents, Inc.; Kevin Prince

(57) **CLAIM**

We claim the ornamental design for a combined flashlight and stun gun, as shown and described.

**DESCRIPTION**

FIG. 1 is a front perspective view of a combined flashlight and stun gun, showing our new design;

FIG. 2 is a rear perspective view thereof;

FIG. 3 is a front elevational view thereof;

FIG. 4 is a rear elevational view thereof;

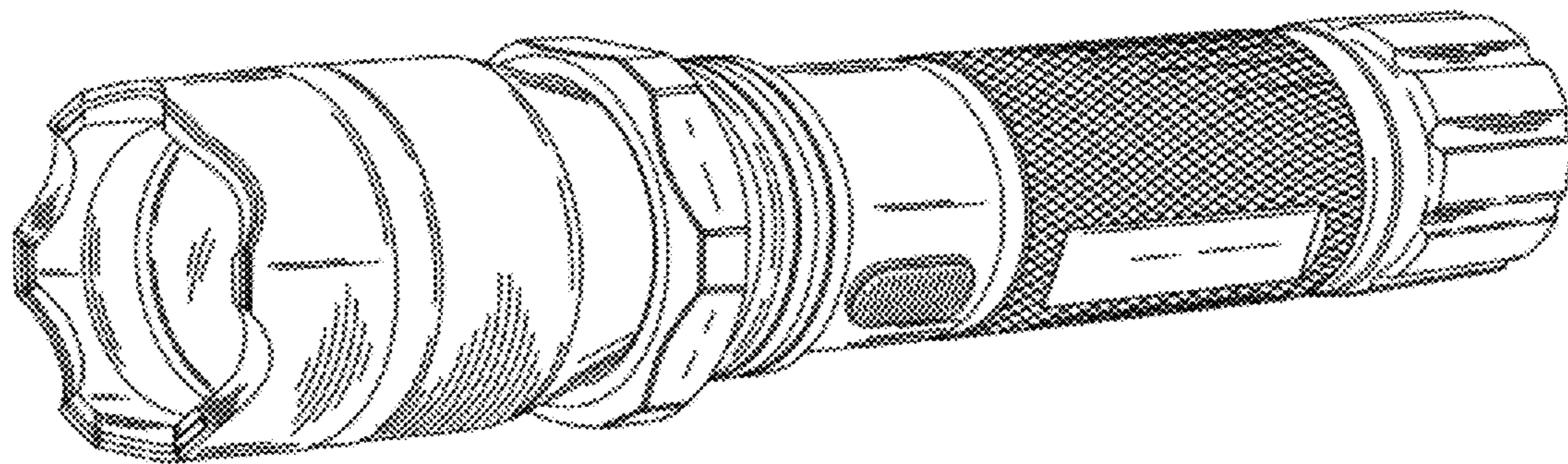
FIG. 5 is a left-side elevational view thereof, the right-side elevational view being a mirror image thereof;

FIG. 6 is a top plan view thereof; and,

FIG. 7 is a bottom plan view thereof.

The broken line showing is for environmental purposes only and forms no part of the claimed design.

**1 Claim, 3 Drawing Sheets**



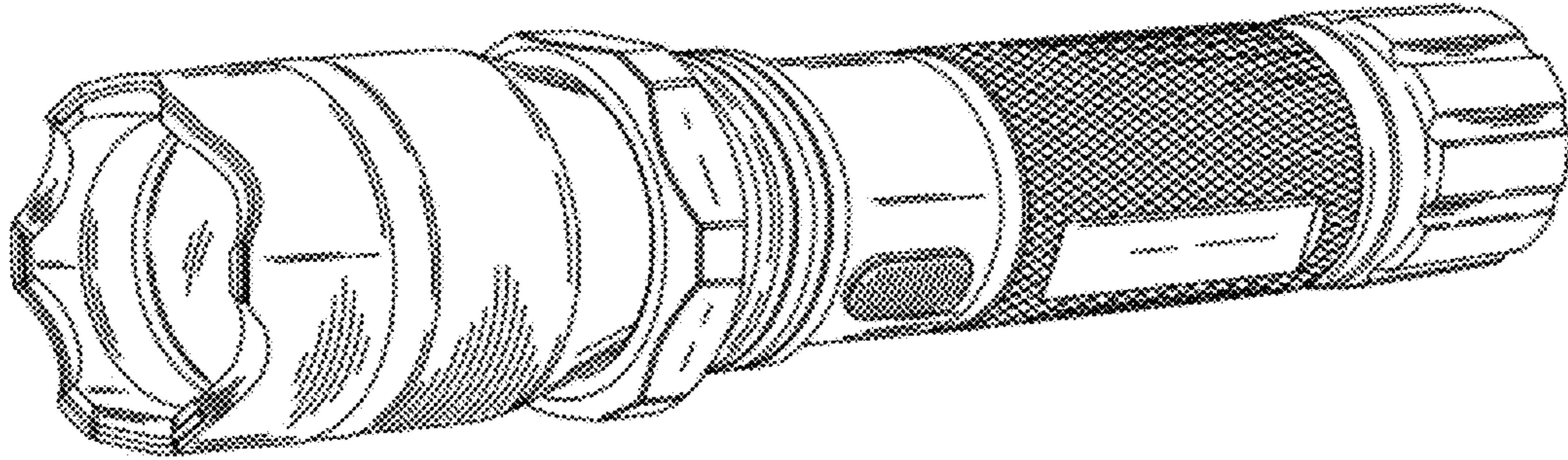


FIG. 1

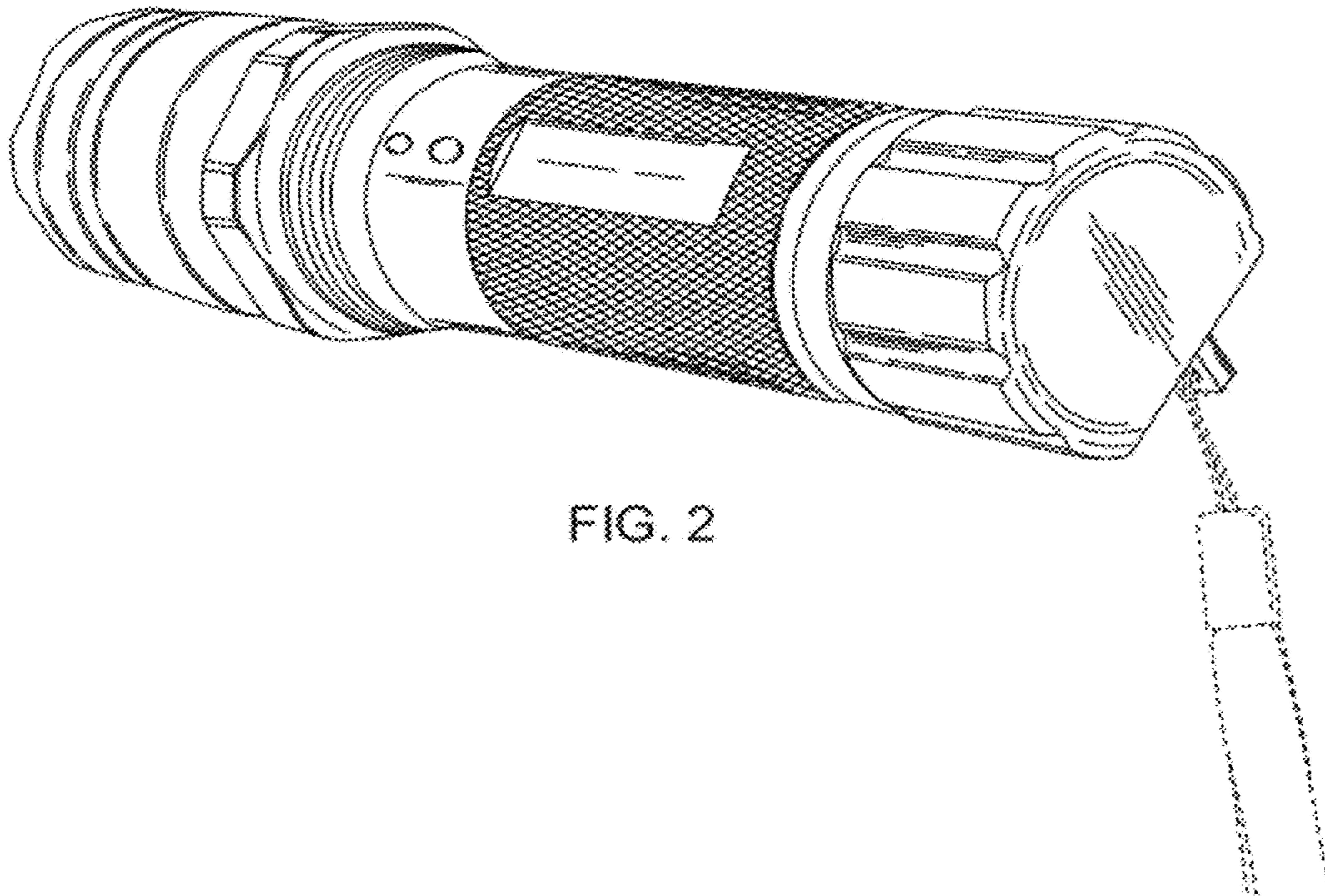


FIG. 2



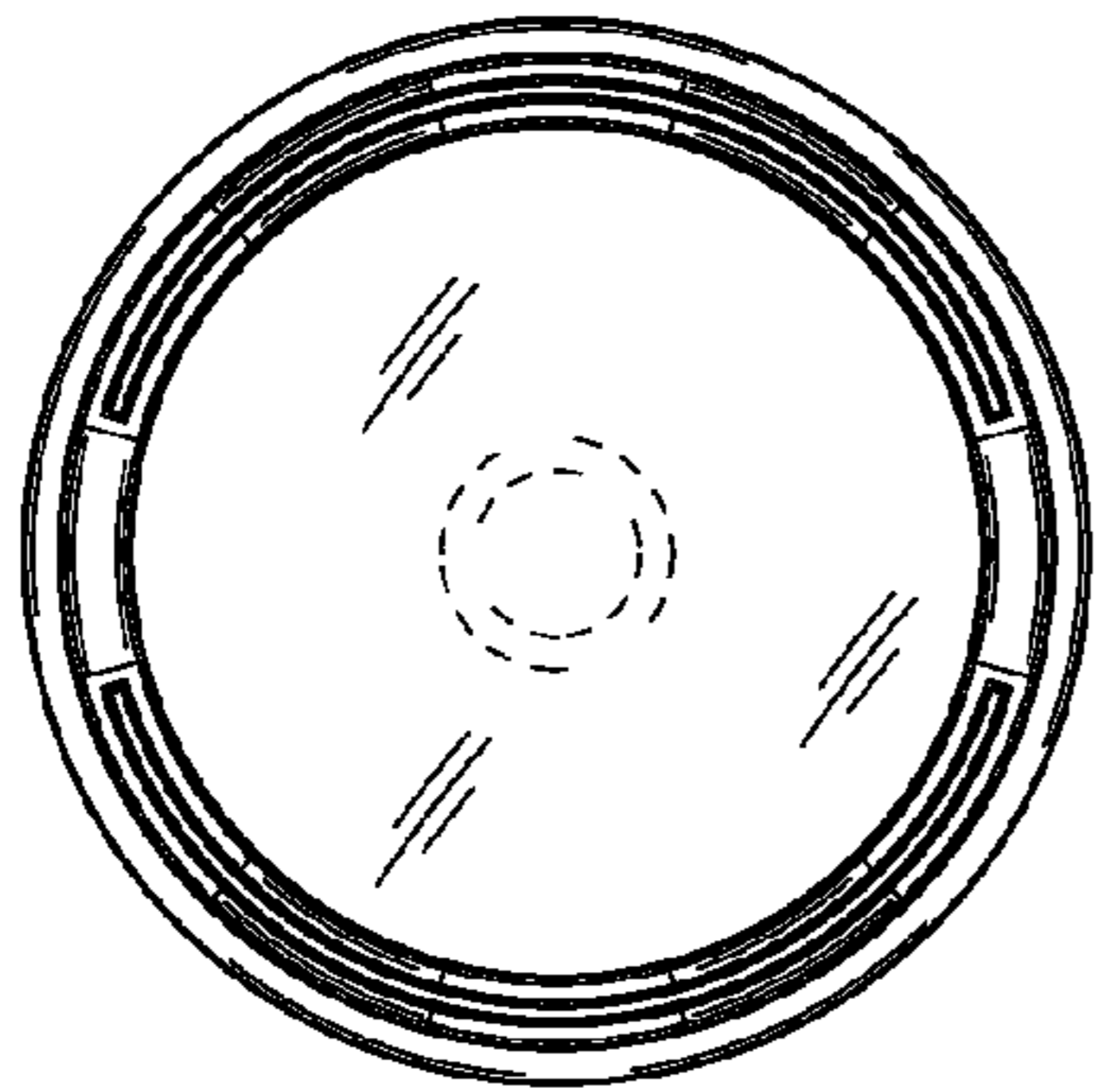


FIG. 3

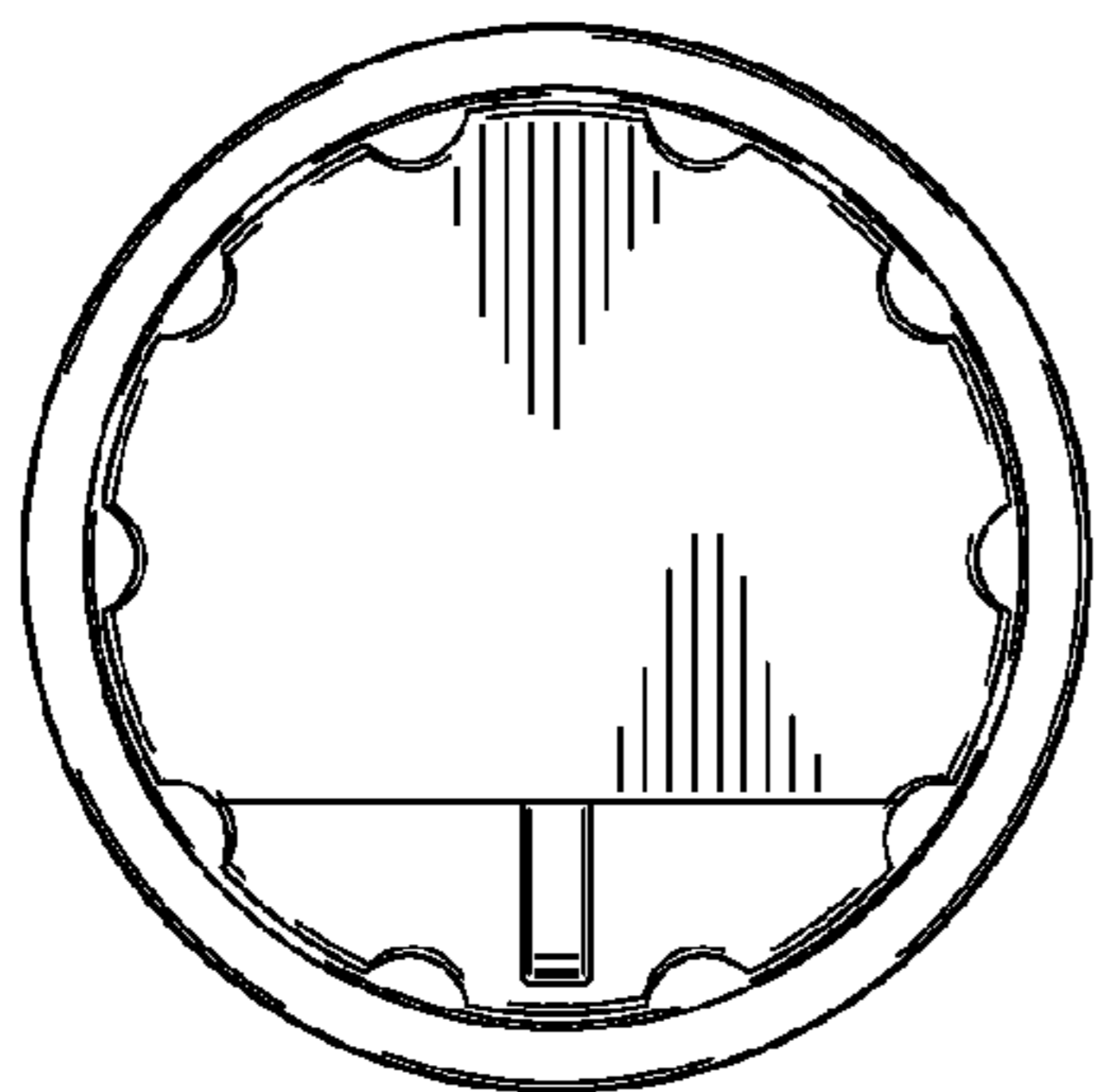


FIG. 4

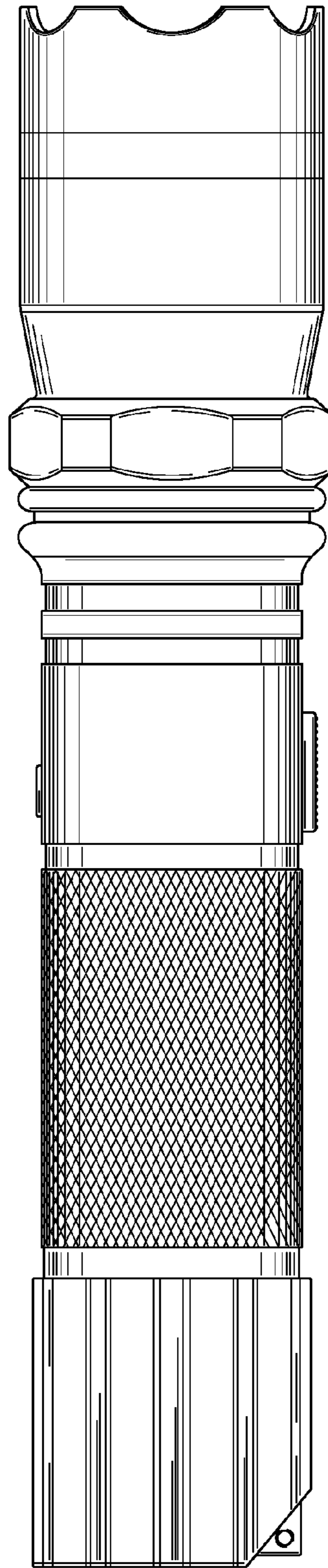


FIG. 5

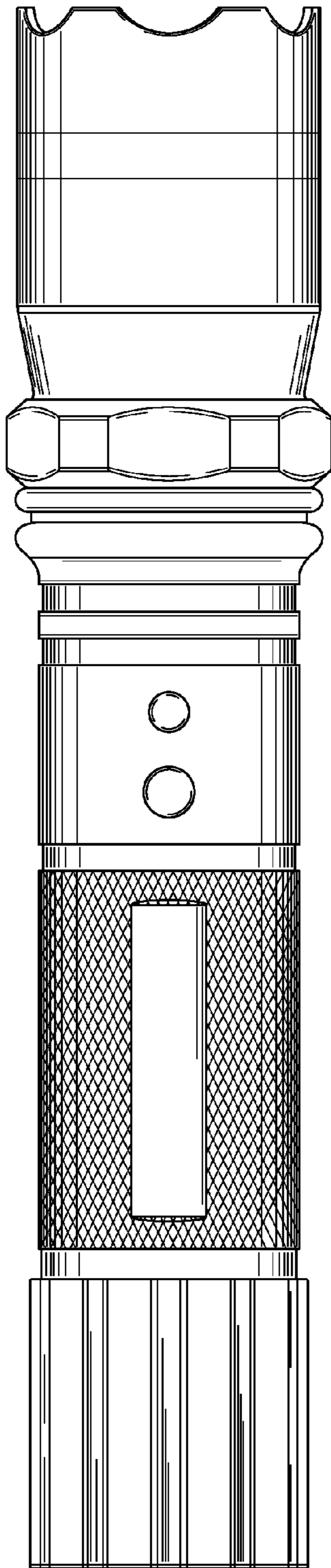


FIG. 6

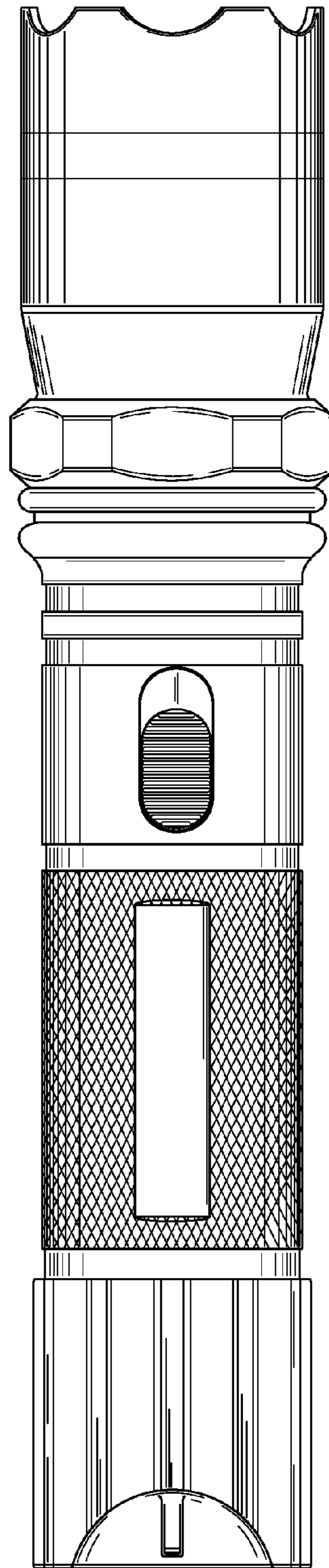


FIG. 7