



US00D674937S

(12) **United States Design Patent**
Lai

(10) **Patent No.:** **US D674,937 S**
(45) **Date of Patent:** **** Jan. 22, 2013**

(54) **EXTERIOR SURFACE CONFIGURATION OF VEHICULAR HEADLIGHT**

D544,614 S * 6/2007 Markefka D26/28
D549,857 S * 8/2007 Lin D26/28
D561,358 S * 2/2008 Tachibana D26/28

(75) Inventor: **Ching-Tsung Lai**, Tainan (TW)

* cited by examiner

(73) Assignee: **Litek Enterprise Co., Ltd.**, Tainan (TW)

Primary Examiner — Marcus Jackson

(**) Term: **14 Years**

(74) *Attorney, Agent, or Firm* — Muncy, Geissler, Olds & Lowe, PLLC

(21) Appl. No.: **29/427,091**

(22) Filed: **Jul. 13, 2012**

(57) **CLAIM**

(51) **LOC (9) Cl.** **26-06**

I claim, the ornamental design for an exterior surface configuration of a vehicular headlight, as shown and described.

(52) **U.S. Cl.** **D26/28**

(58) **Field of Classification Search** D26/28-36;
362/459-468, 475-478, 485-487

DESCRIPTION

See application file for complete search history.

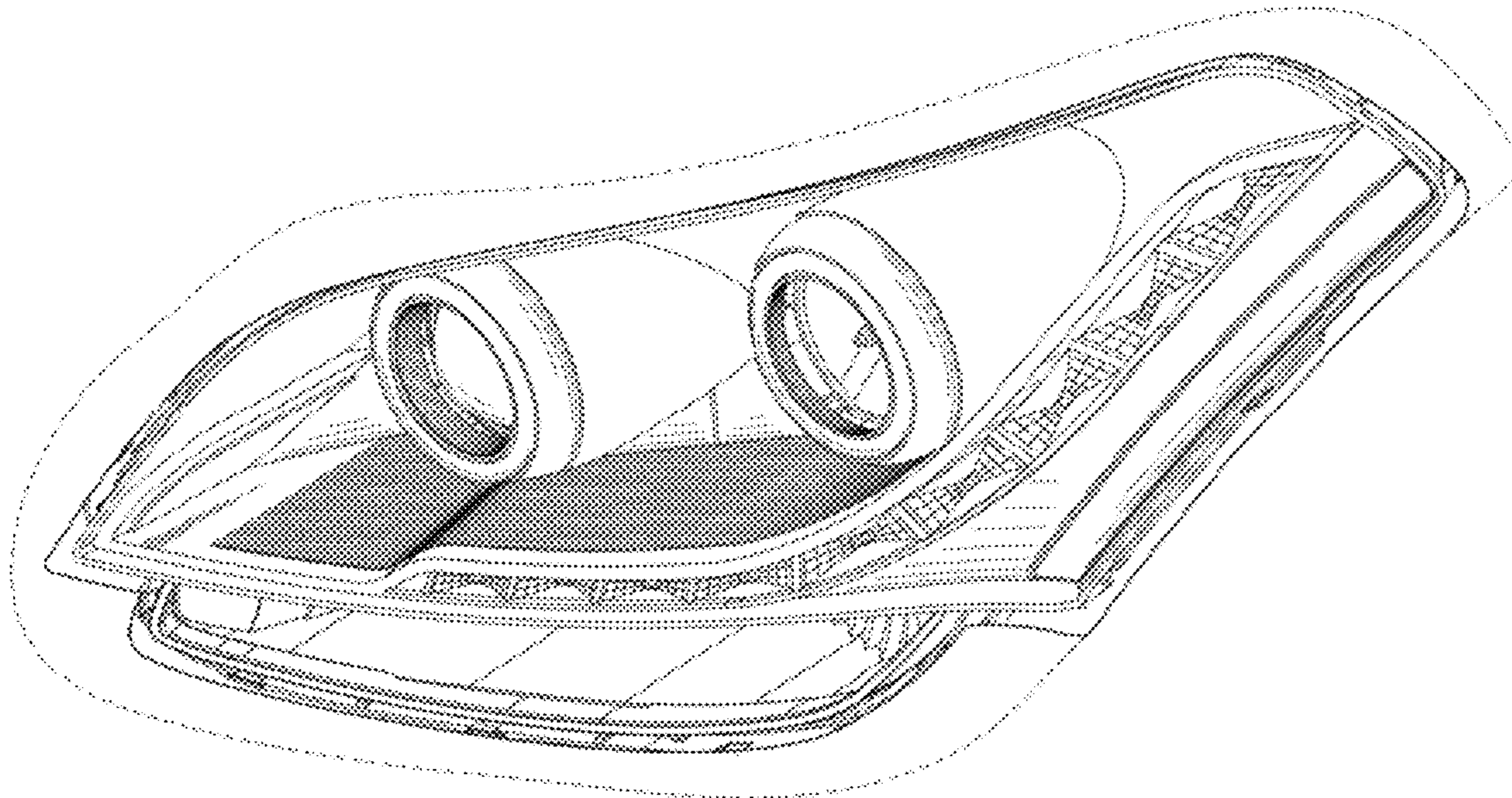
FIG. 1 is a perspective view of an exterior surface configuration of a vehicular headlight showing my present design; FIG. 2 is a front view thereof; FIG. 3 is a right view thereof; and, FIG. 4 is a top plan view thereof.

(56) **References Cited**

U.S. PATENT DOCUMENTS

D528,681 S * 9/2006 Nakahara D26/28
D528,685 S * 9/2006 Yoshida D26/28
D544,114 S * 6/2007 Ohta D26/28

1 Claim, 4 Drawing Sheets



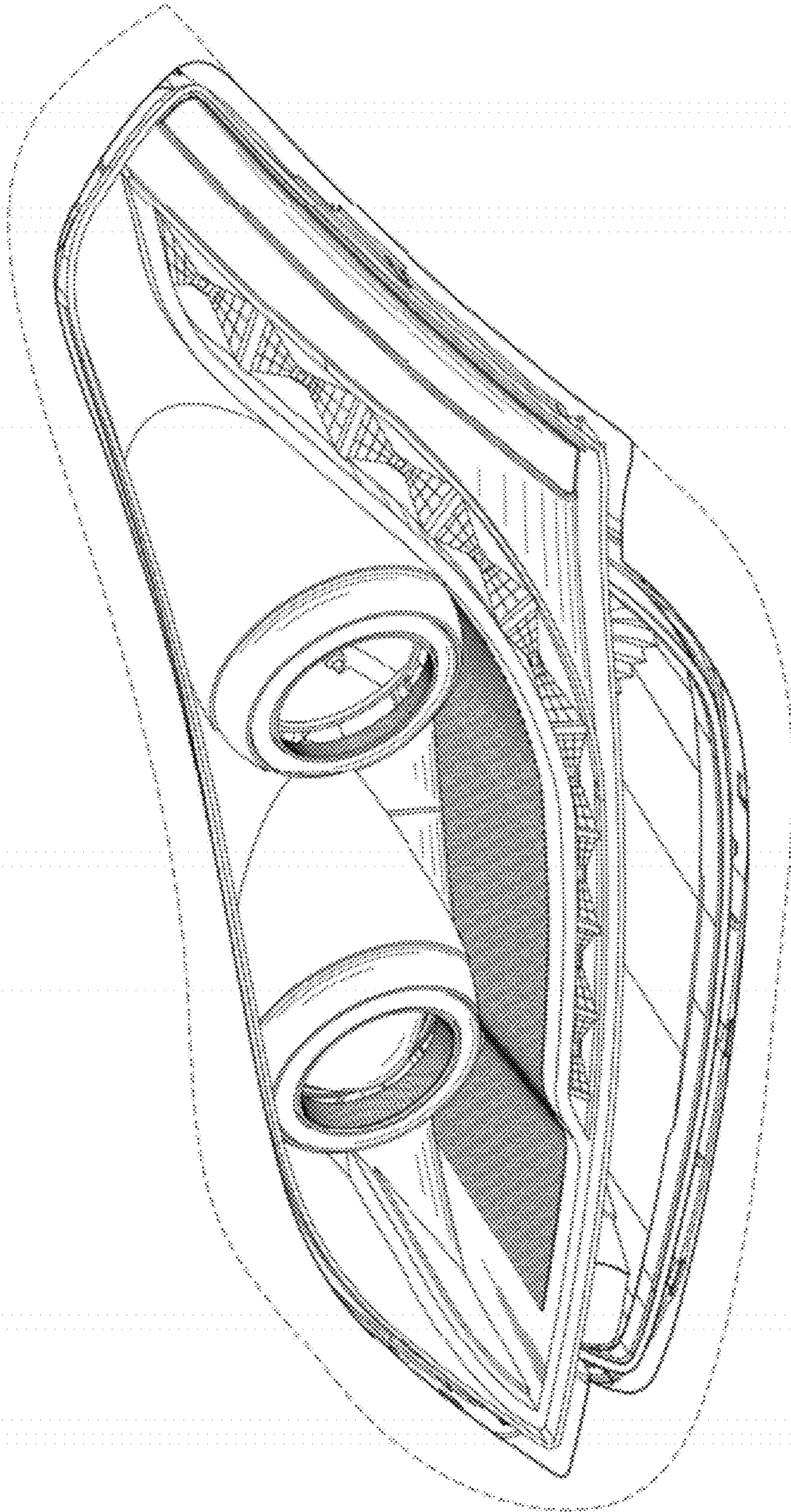


FIG. 1

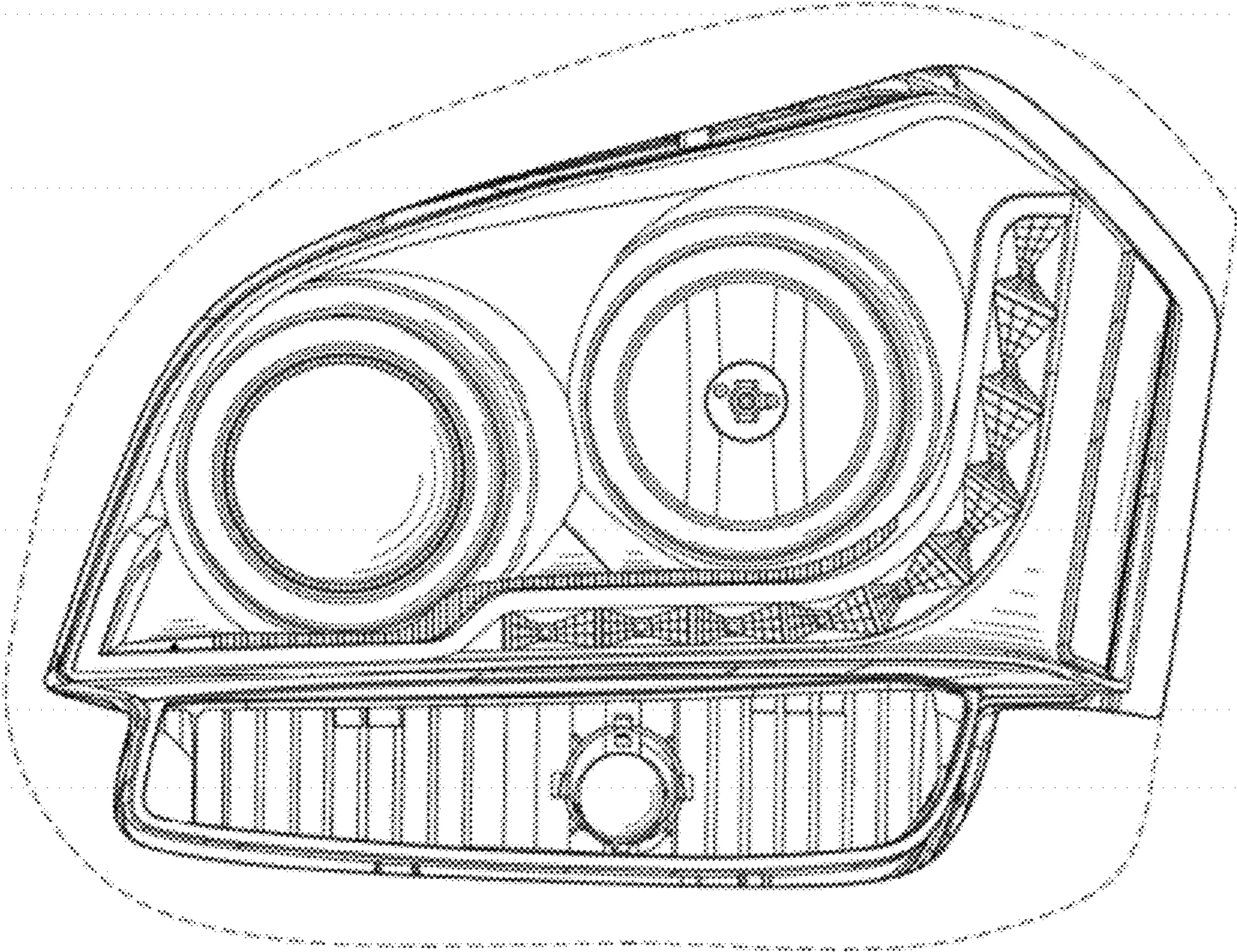


FIG. 2

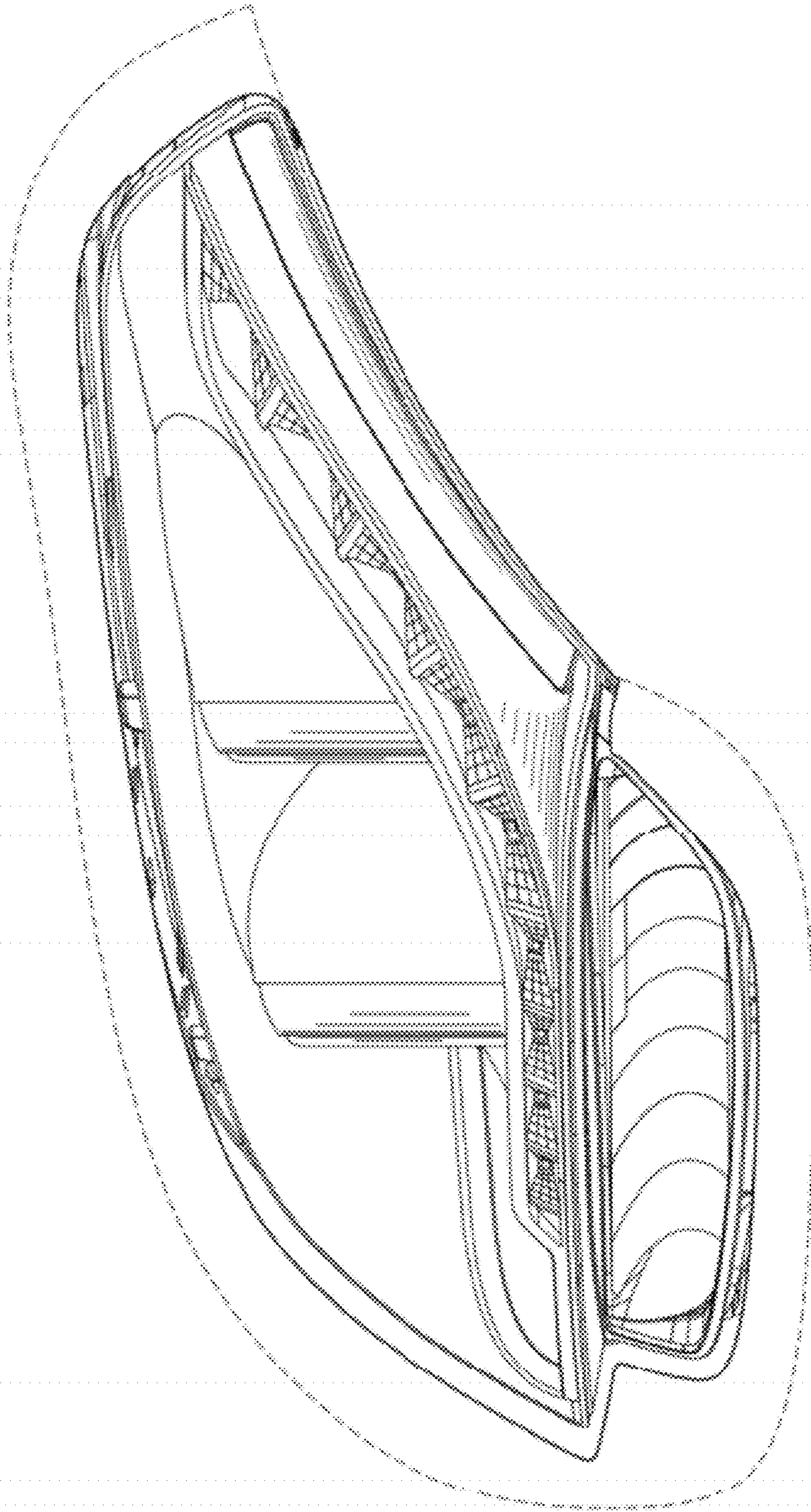


FIG. 3

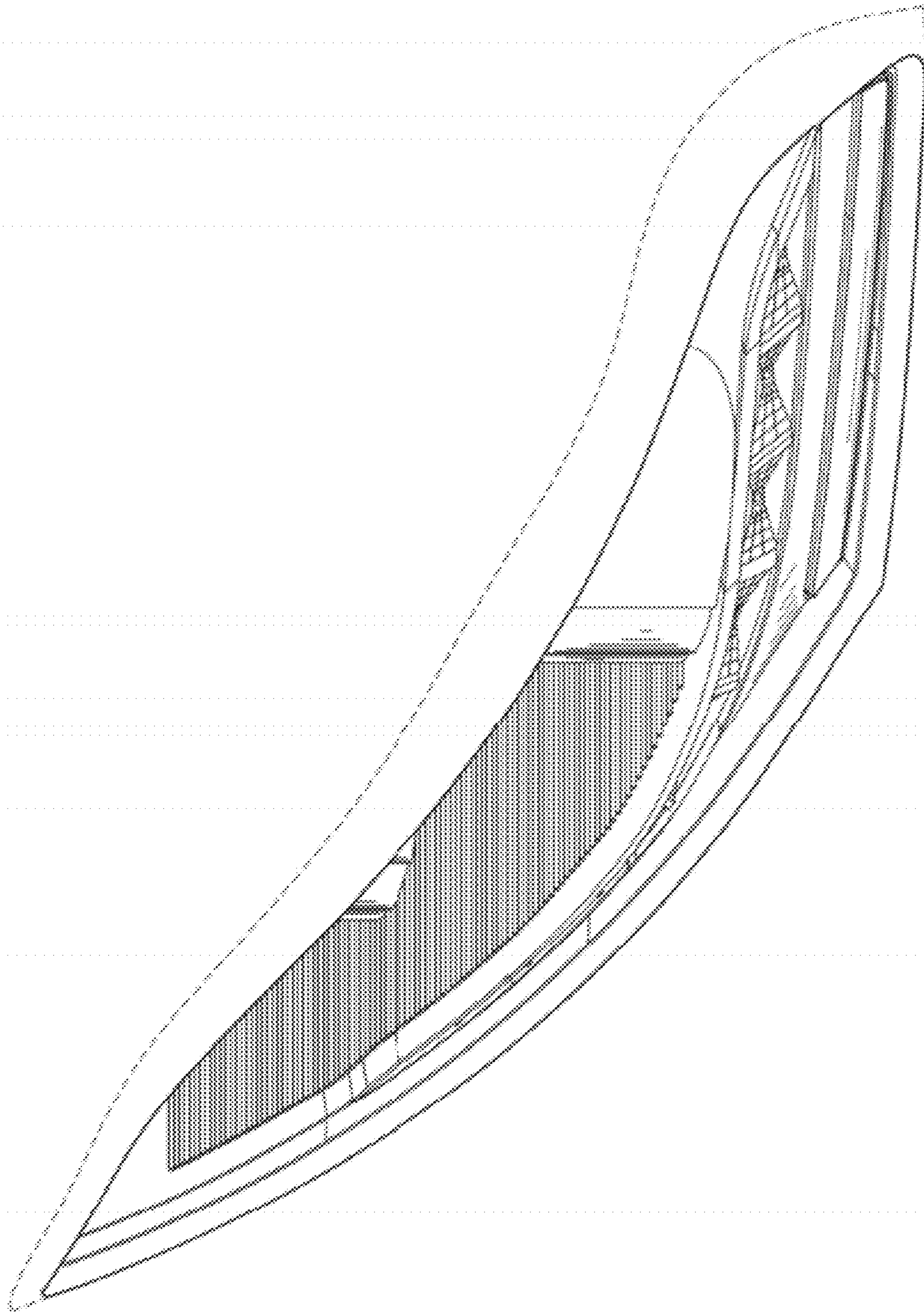


FIG. 4