



US00D674931S

(12) **United States Design Patent**  
**Tyler**

(10) **Patent No.:** **US D674,931 S**  
(45) **Date of Patent:** **\*\* Jan. 22, 2013**

(54) **LIGHTING APPARATUS**

(76) Inventor: **Daniel Jason Tyler**, London (GB)

(\*\*) Term: **14 Years**

(21) Appl. No.: **29/414,321**

(22) Filed: **Feb. 28, 2012**

(51) **LOC (9) Cl.** ..... **26-05**

(52) **U.S. Cl.** ..... **D26/26**

(58) **Field of Classification Search** ..... D26/26,  
D26/125, 118, 24, 72, 85, 37; D23/366,  
D23/367, 369; 362/640, 641, 642, 643, 644,  
362/651, 657, 658, 659

See application file for complete search history.

(56) **References Cited**

**U.S. PATENT DOCUMENTS**

|              |         |                |       |        |
|--------------|---------|----------------|-------|--------|
| D409,317 S * | 5/1999  | Yuen           | ..... | D26/26 |
| D430,945 S * | 9/2000  | Ham            | ..... | D26/26 |
| D455,507 S * | 4/2002  | Liu et al.     | ..... | D26/26 |
| D457,974 S * | 5/2002  | Piegras et al. | ..... | D26/26 |
| D498,318 S * | 11/2004 | Yuen           | ..... | D26/38 |
| D523,972 S * | 6/2006  | Chan           | ..... | D26/26 |
| D524,457 S * | 7/2006  | Chan           | ..... | D26/26 |

|                   |        |             |       |         |
|-------------------|--------|-------------|-------|---------|
| D561,366 S *      | 2/2008 | Wang        | ..... | D26/37  |
| D592,323 S *      | 5/2009 | Kinsey      | ..... | D26/26  |
| D618,830 S *      | 6/2010 | Choi        | ..... | D26/26  |
| D642,707 S *      | 8/2011 | Kang et al. | ..... | D26/26  |
| D644,362 S *      | 8/2011 | Kingston    | ..... | D26/26  |
| 2006/0007709 A1 * | 1/2006 | Yuen        | ..... | 362/641 |

**FOREIGN PATENT DOCUMENTS**

|    |           |   |         |
|----|-----------|---|---------|
| CN | 3578500   | * | 11/2006 |
| CN | 301612914 | * | 7/2011  |

\* cited by examiner

*Primary Examiner* — Angela J Lee

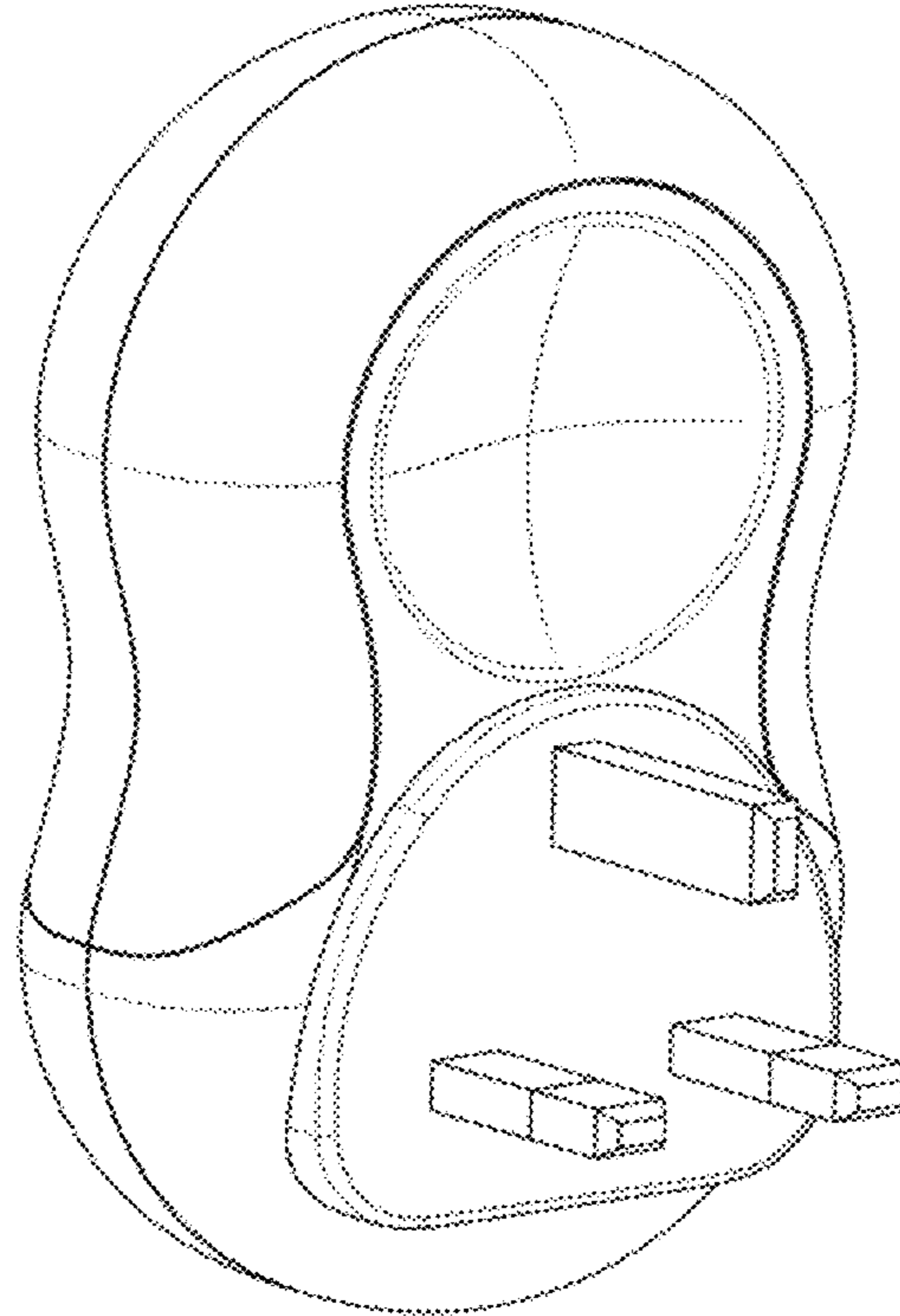
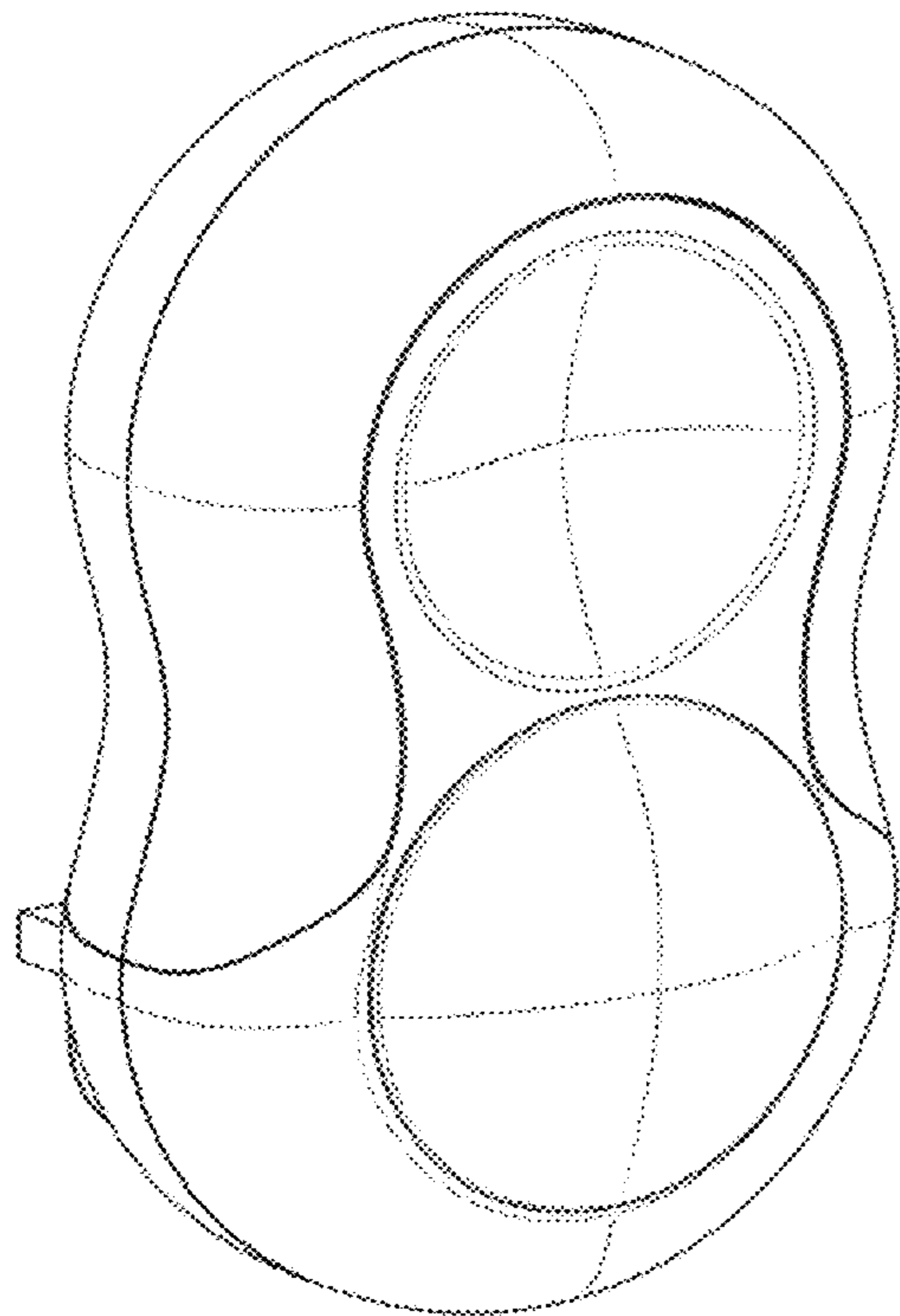
(57) **CLAIM**

The ornamental design for a lighting apparatus, as shown.

**DESCRIPTION**

FIG. 1 is a front perspective view of a lighting apparatus showing my new design;  
 FIG. 2 is a rear perspective view thereof;  
 FIG. 3 is a bottom plan view thereof;  
 FIG. 4 is a top plan view thereof;  
 FIG. 5 is a front elevational view thereof;  
 FIG. 6 is a rear elevational view thereof; and,  
 FIG. 7 is a side elevational view thereof.

**1 Claim, 7 Drawing Sheets**



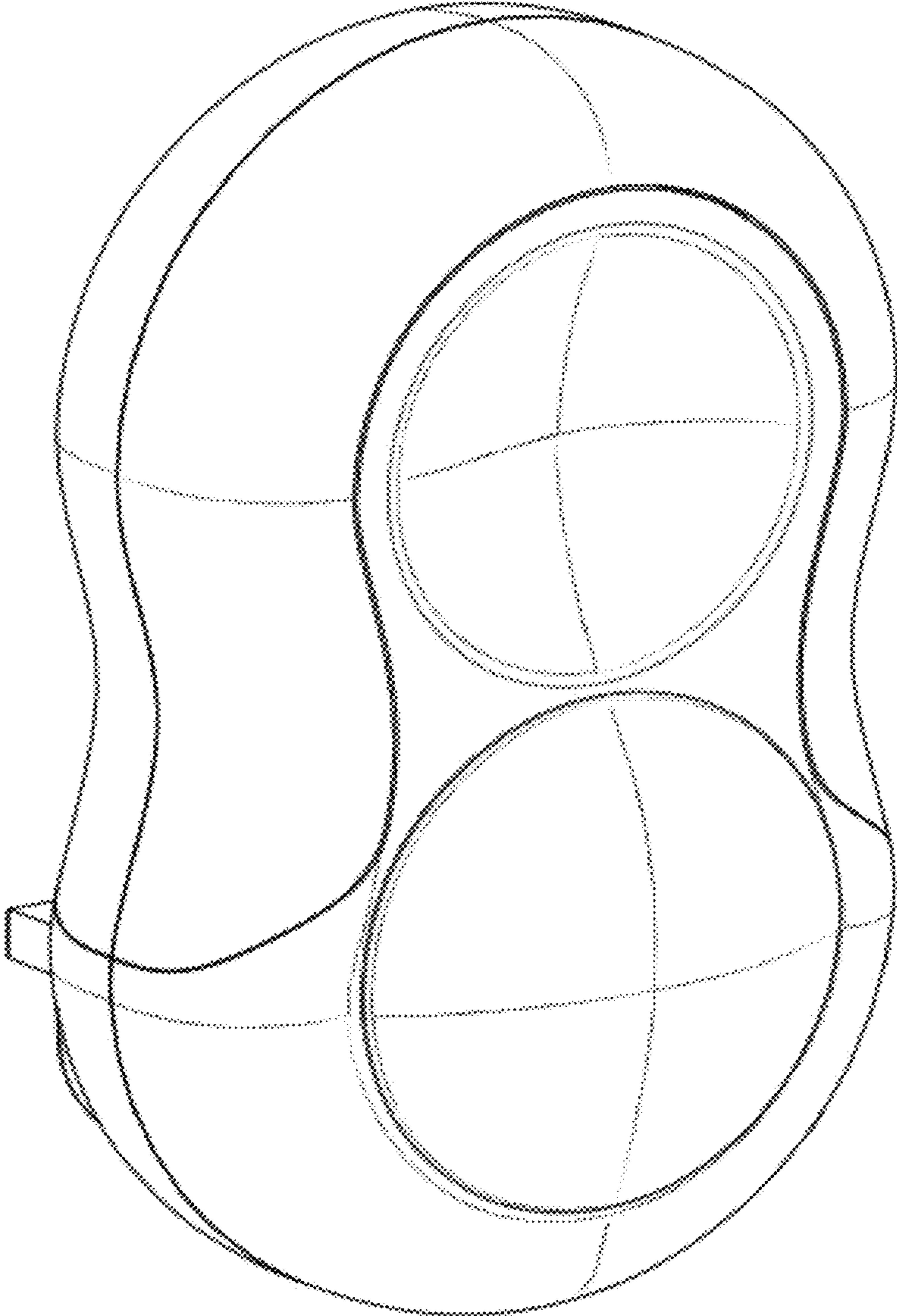


Fig. 1

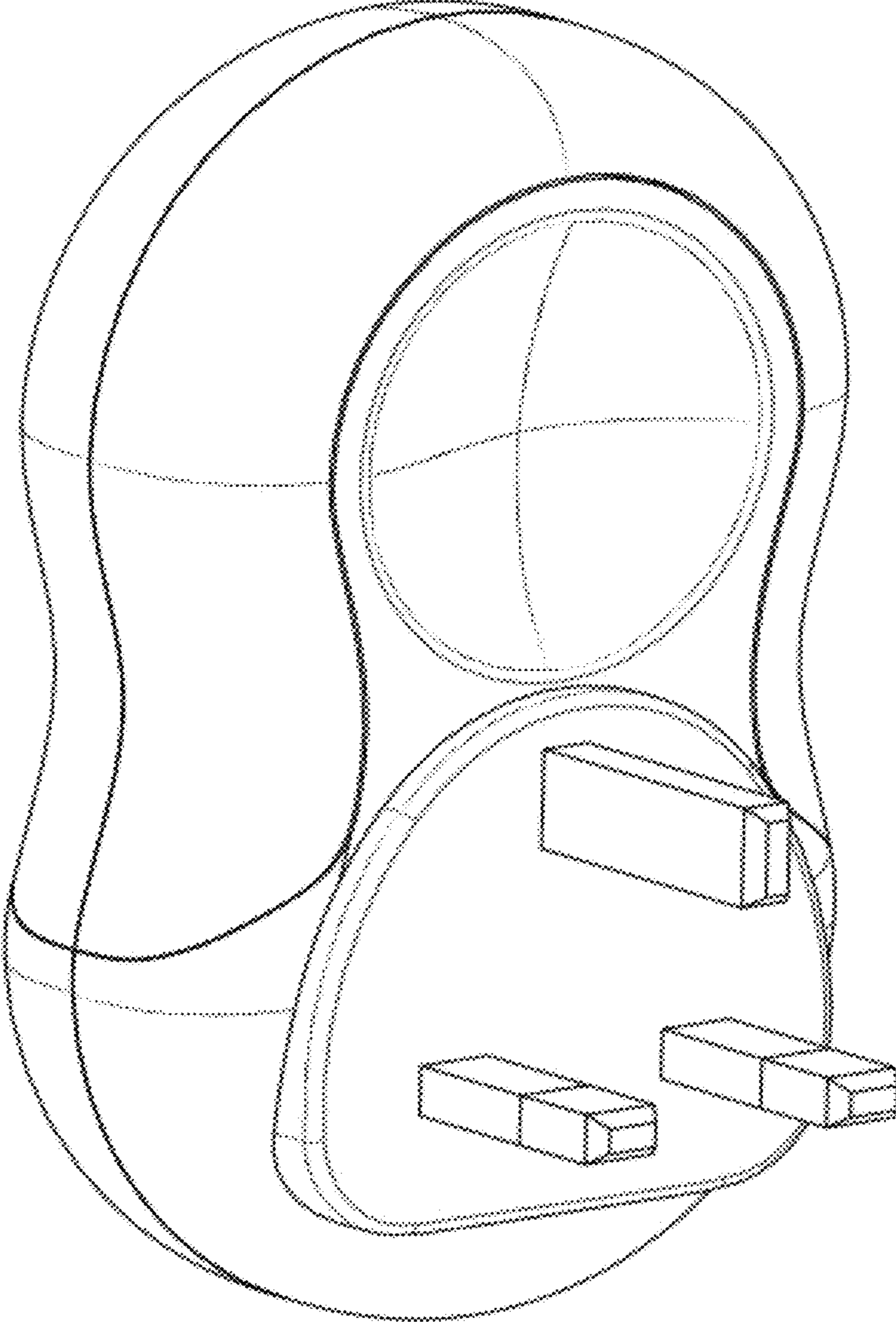


Fig. 2

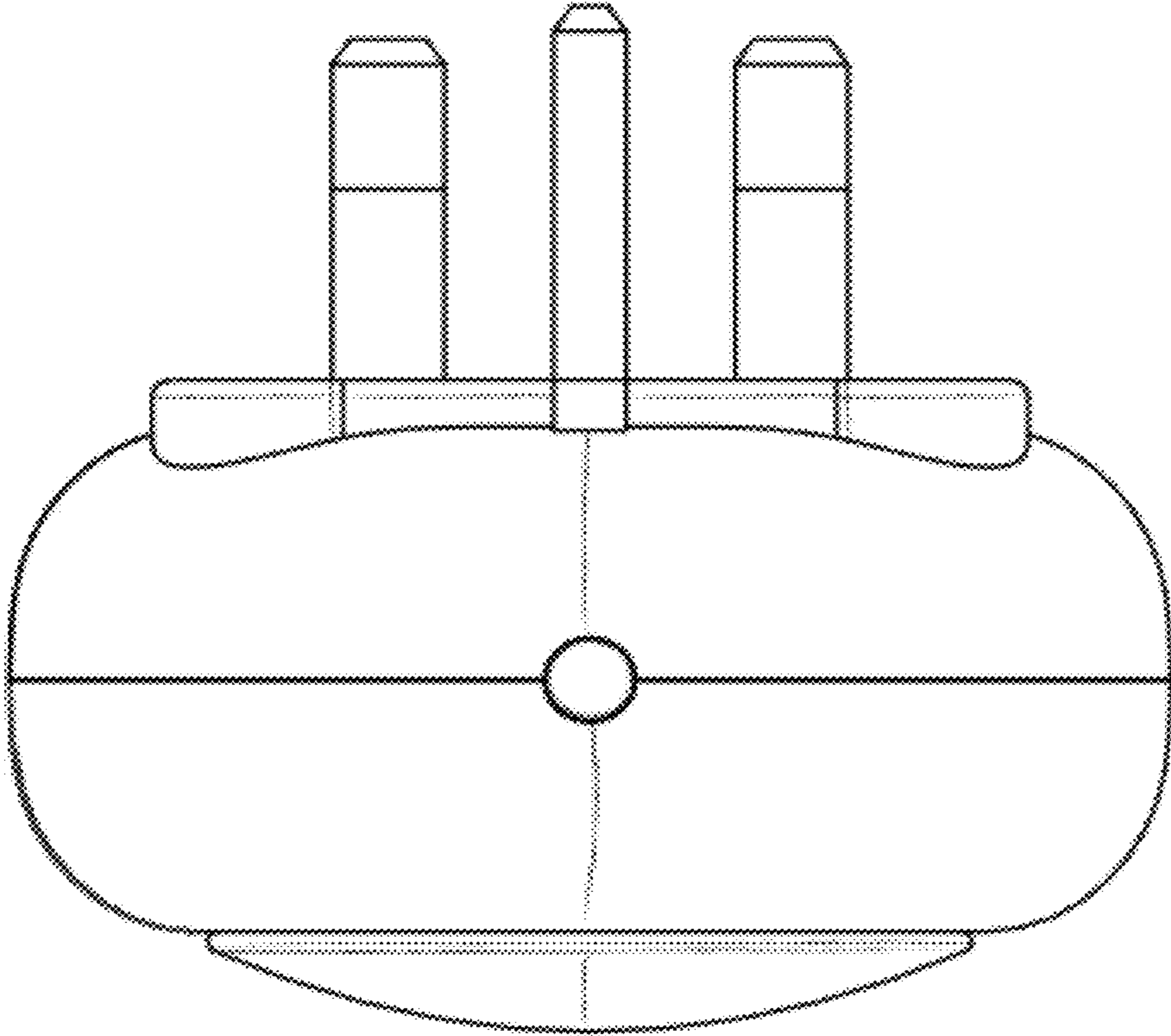


Fig. 3

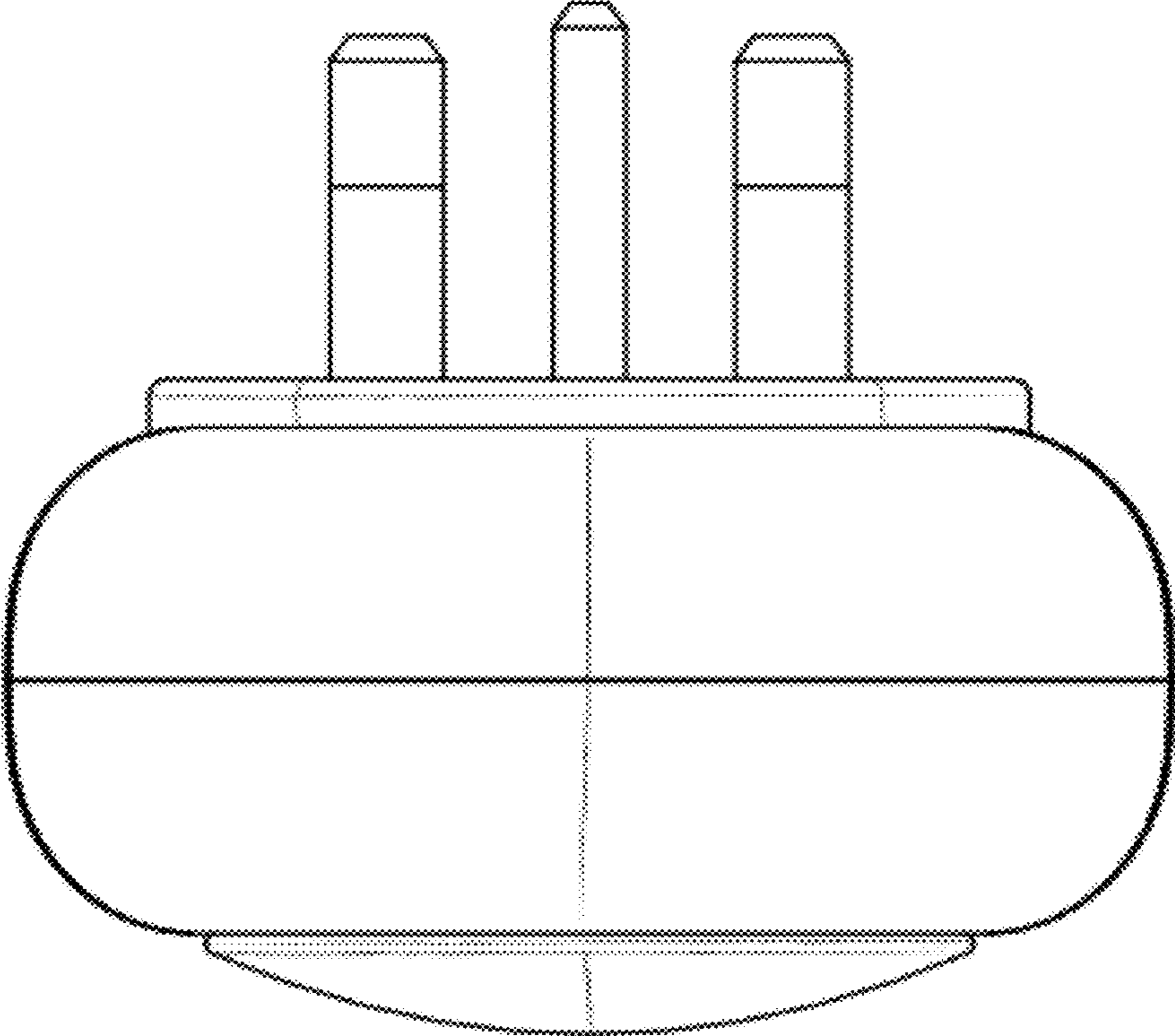


Fig. 4

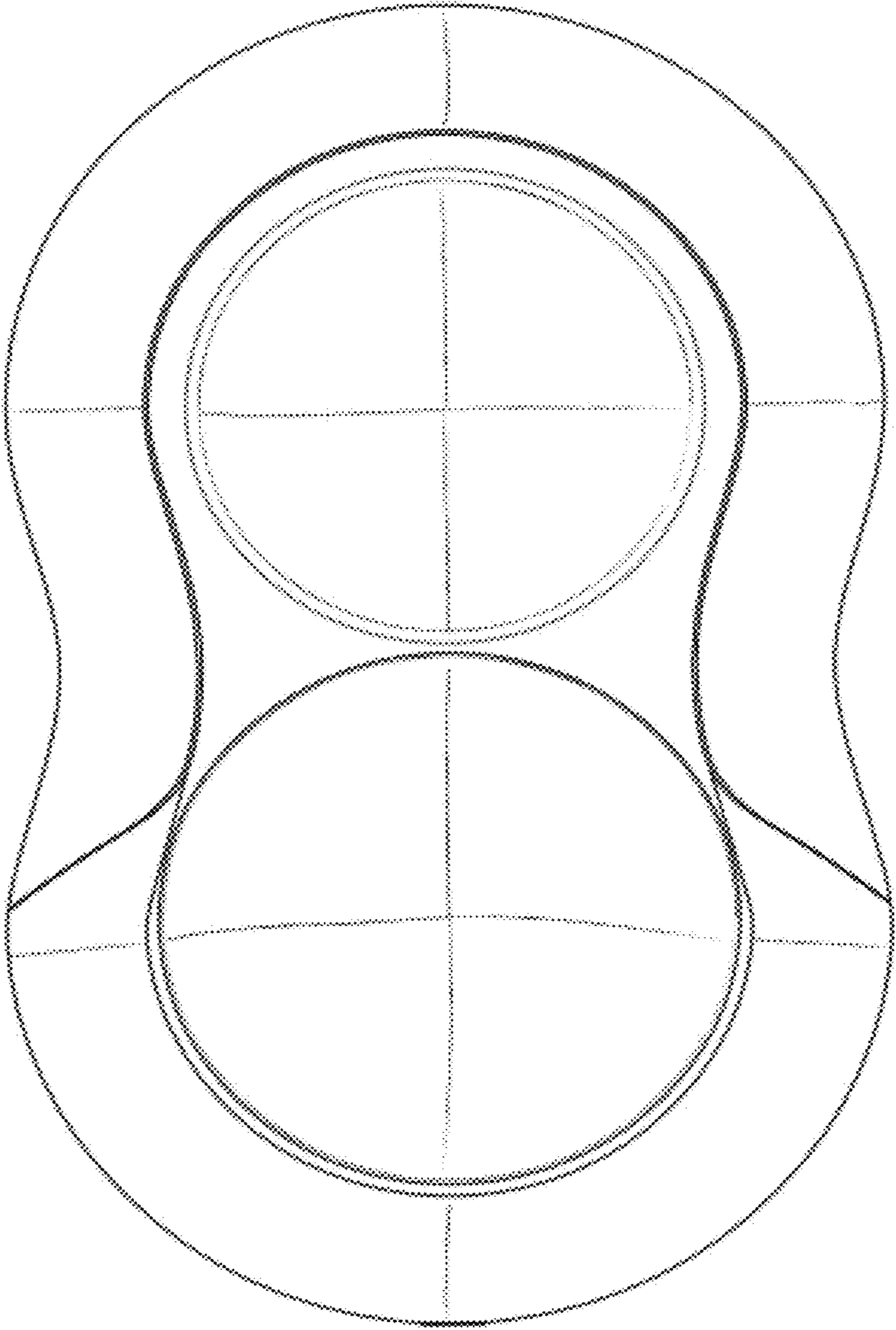


Fig. 5

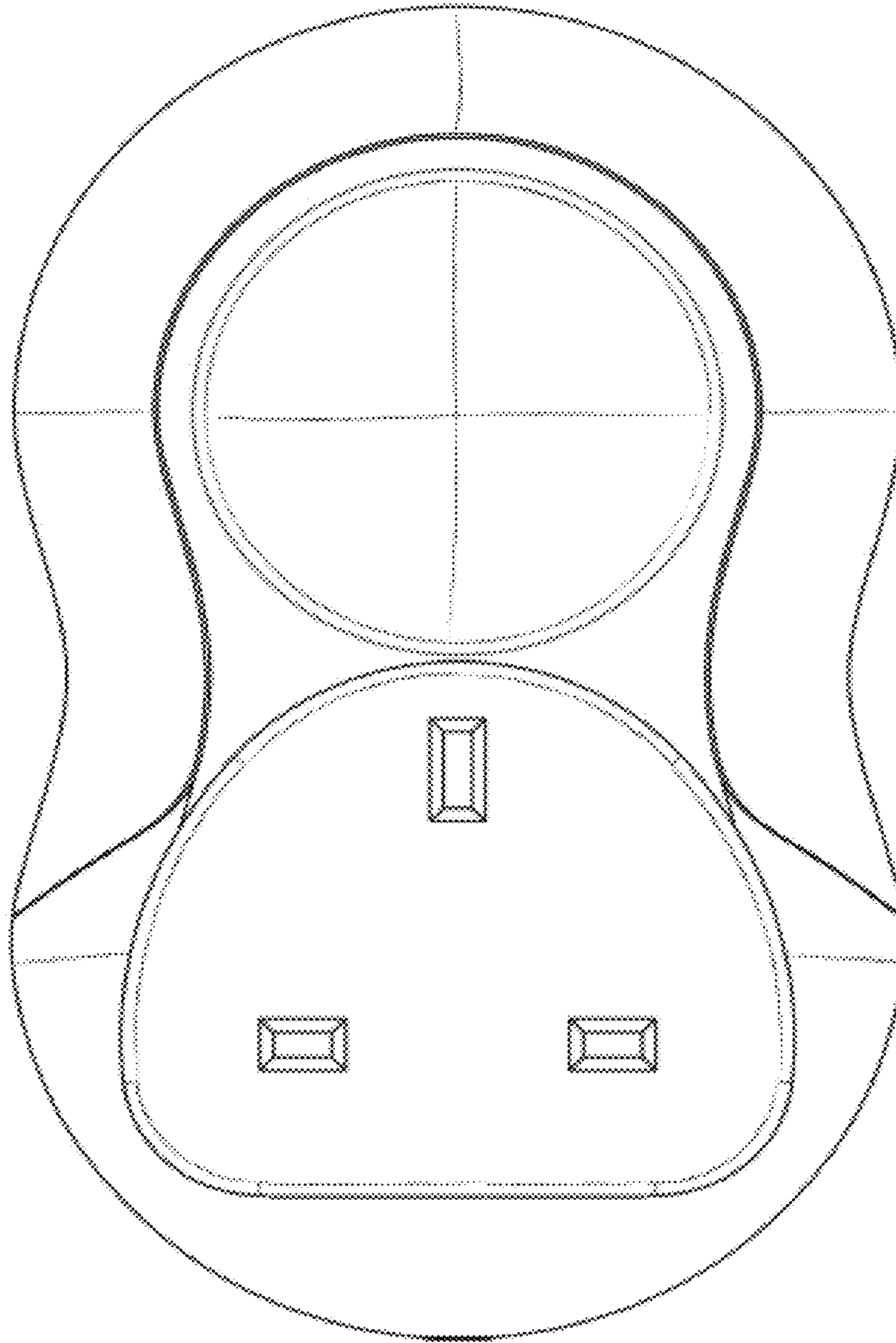


Fig. 6

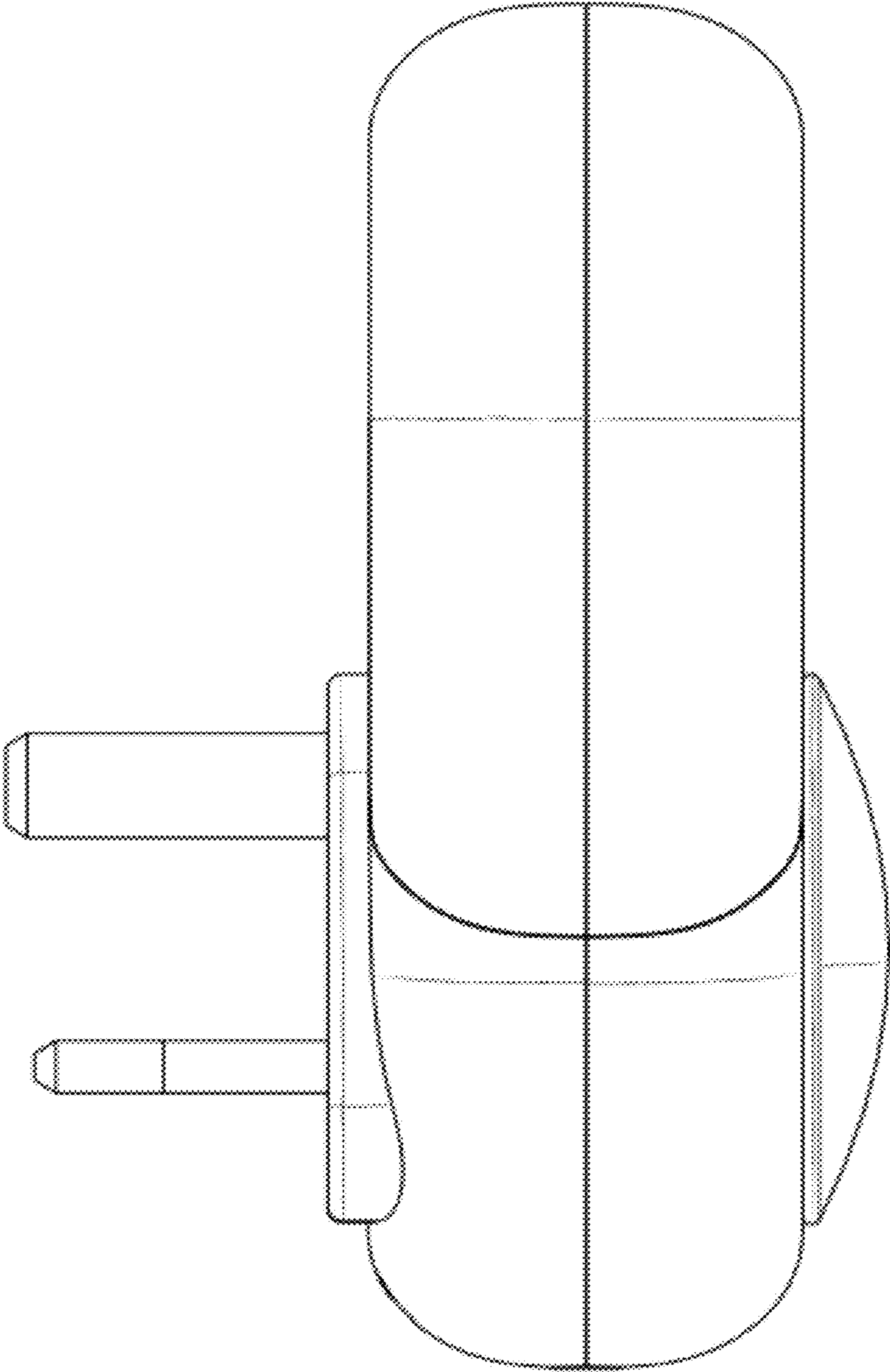


Fig. 7