



US00D674929S

(12) **United States Design Patent**
Tsai

(10) **Patent No.:** **US D674,929 S**
(45) **Date of Patent:** **** Jan. 22, 2013**

(54) **LED LIGHT**

(75) Inventor: **Wen-Kuei Tsai**, Taipei (TW)
(73) Assignee: **Top Energy Saving System Corp.**, New Taipei (TW)

(**) Term: **14 Years**

(21) Appl. No.: **29/390,645**

(22) Filed: **Apr. 27, 2011**

(30) **Foreign Application Priority Data**

Nov. 22, 2010 (TW) 099305971

(51) **LOC (9) Cl.** **26-04**

(52) **U.S. Cl.** **D26/3**

(58) **Field of Classification Search** D26/1-4;
313/313, 315, 316, 317, 318, 493; 315/52,
315/53, 56, 57, 58

See application file for complete search history.

(56) **References Cited**

U.S. PATENT DOCUMENTS

D272,000	S	*	12/1983	Nanba et al.	D26/3
D284,793	S	*	7/1986	Engel	D26/3
D289,798	S	*	5/1987	Joosten	D26/3
D302,733	S	*	8/1989	Sangen et al.	D26/3
D383,224	S	*	9/1997	Sangen et al.	D26/3

* cited by examiner

Primary Examiner — Marcus Jackson

(74) *Attorney, Agent, or Firm* — Stout, Uxa, Buyan & Mullins, LLP

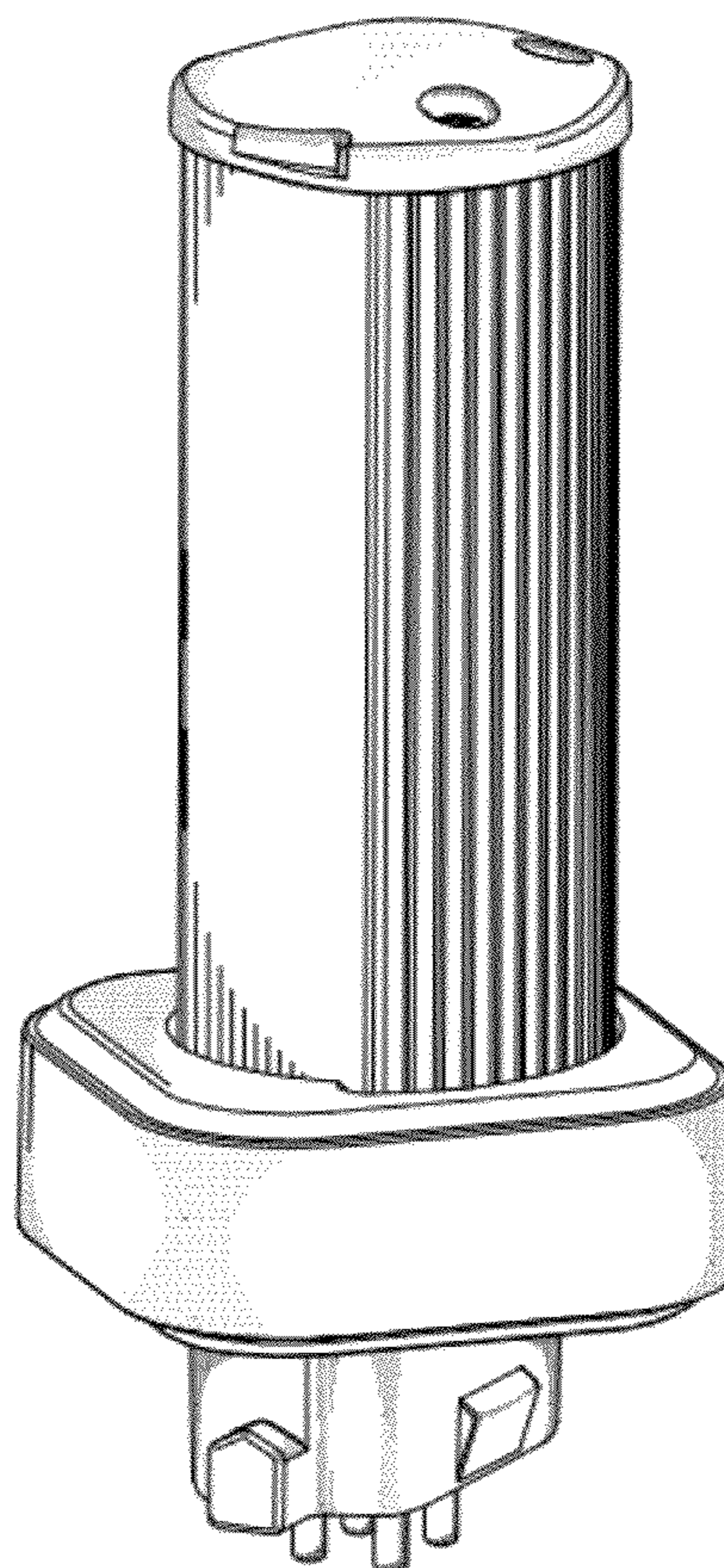
(57) **CLAIM**

The ornamental design for an LED light, as shown and described.

DESCRIPTION

FIG. 1 is a perspective view of a design for an LED light showing our new design;
FIG. 2 is a front elevational view thereof;
FIG. 3 is a rear elevational view thereof;
FIG. 4 is a left side elevational view thereof;
FIG. 5 is a right side elevational view thereof;
FIG. 6 is a top plan view thereof; and,
FIG. 7 is a bottom plan view thereof.

1 Claim, 7 Drawing Sheets



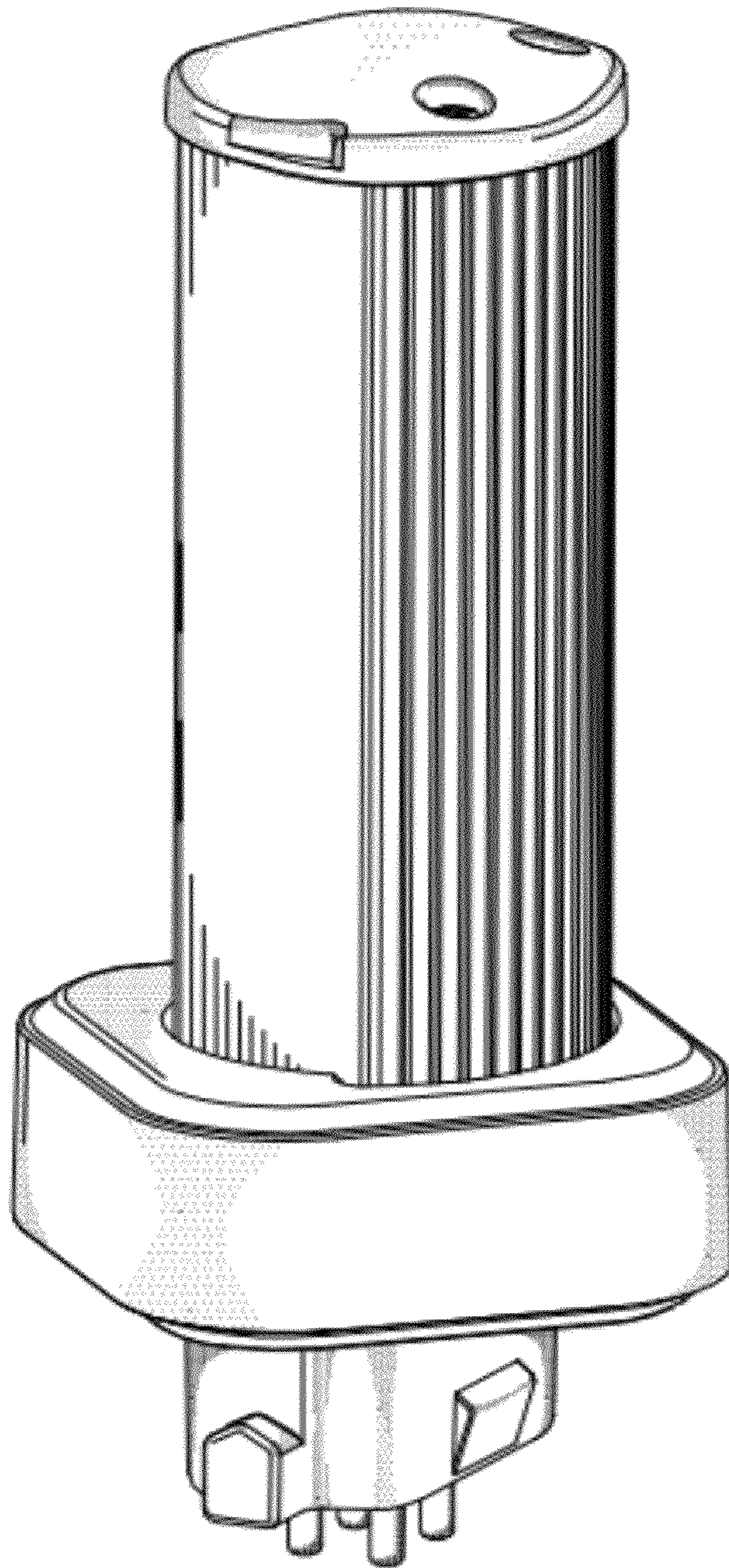


FIG. 1

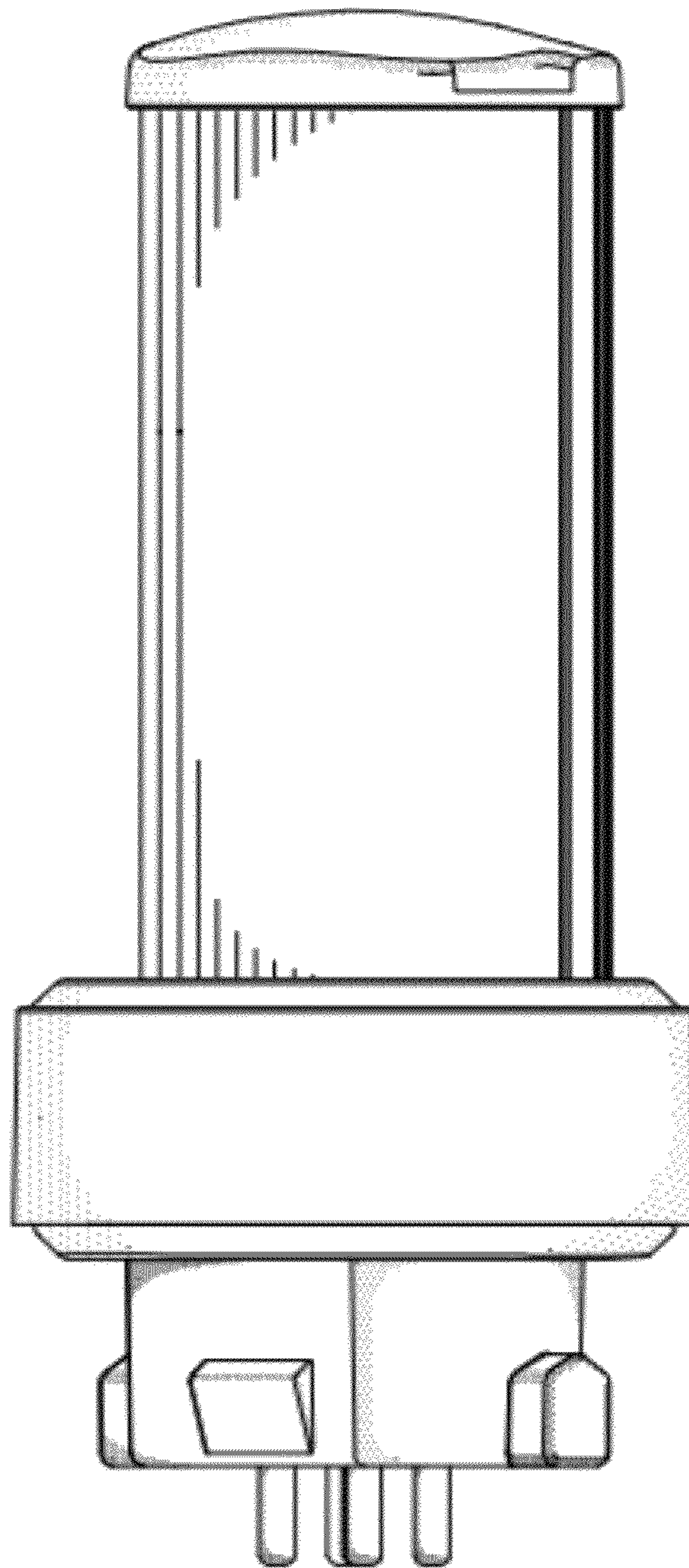


FIG.2

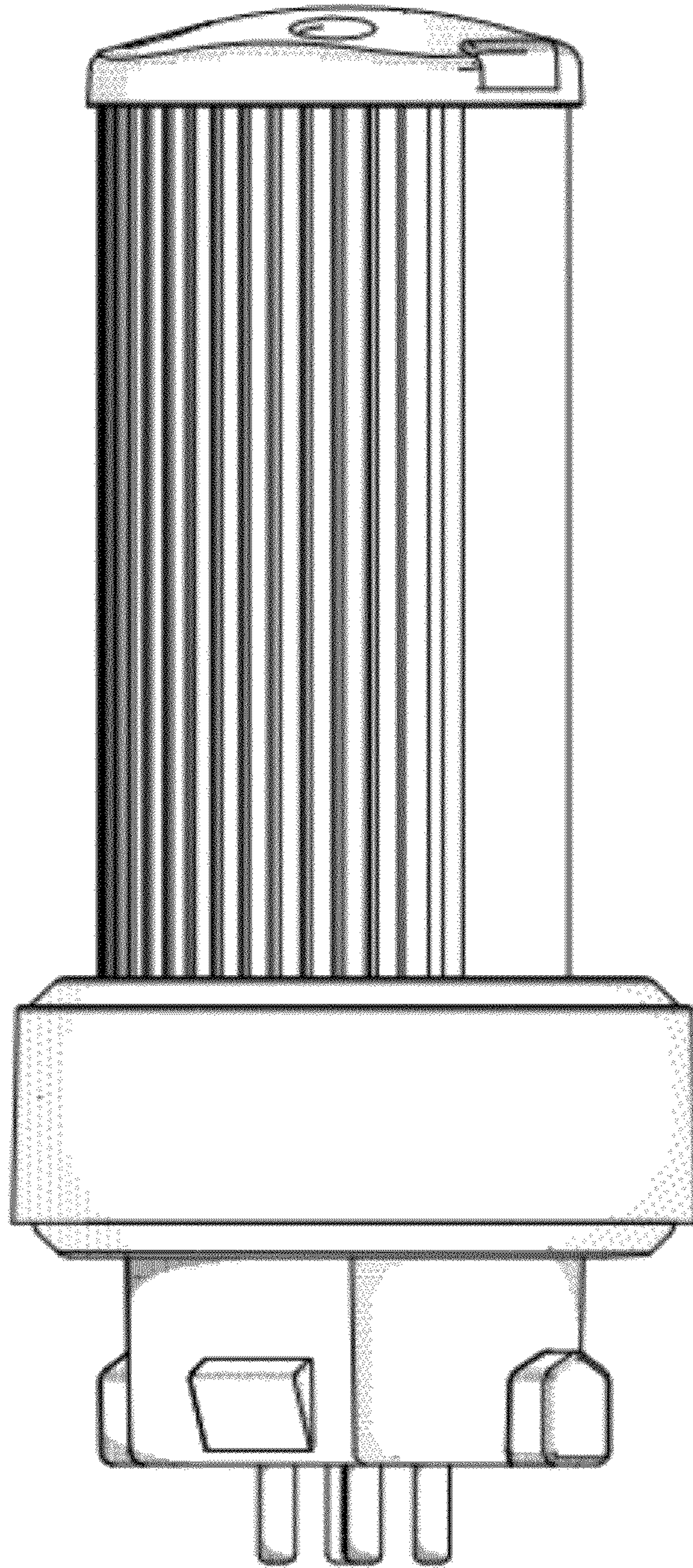


FIG.3

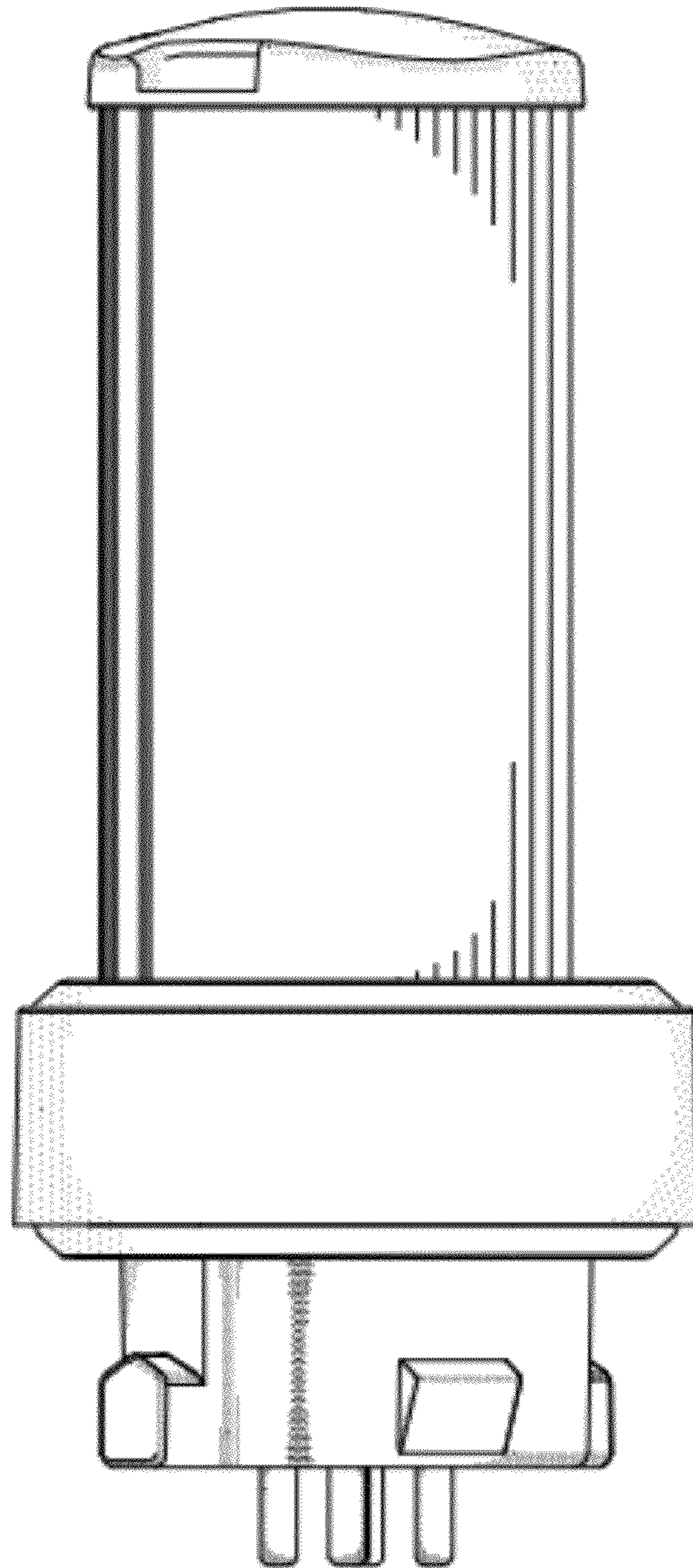


FIG.4

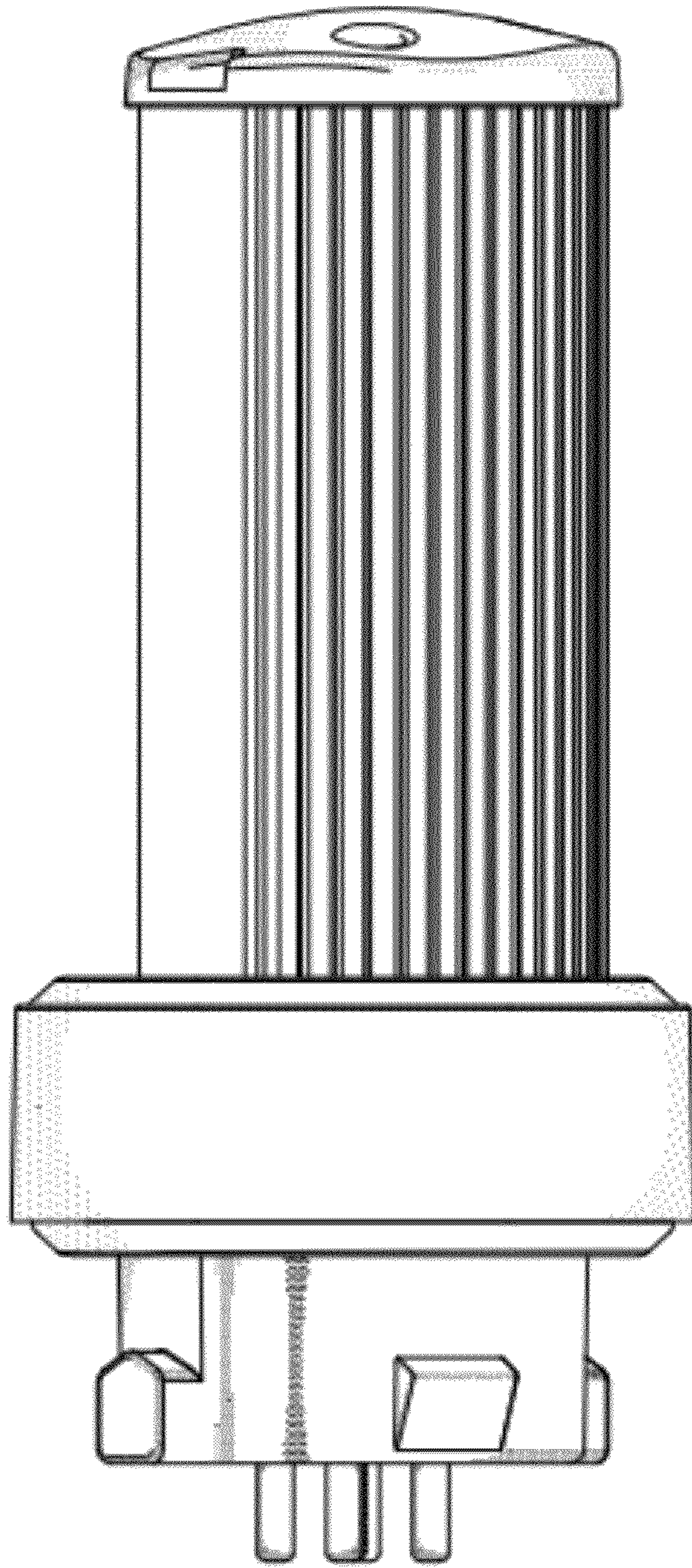


FIG. 5

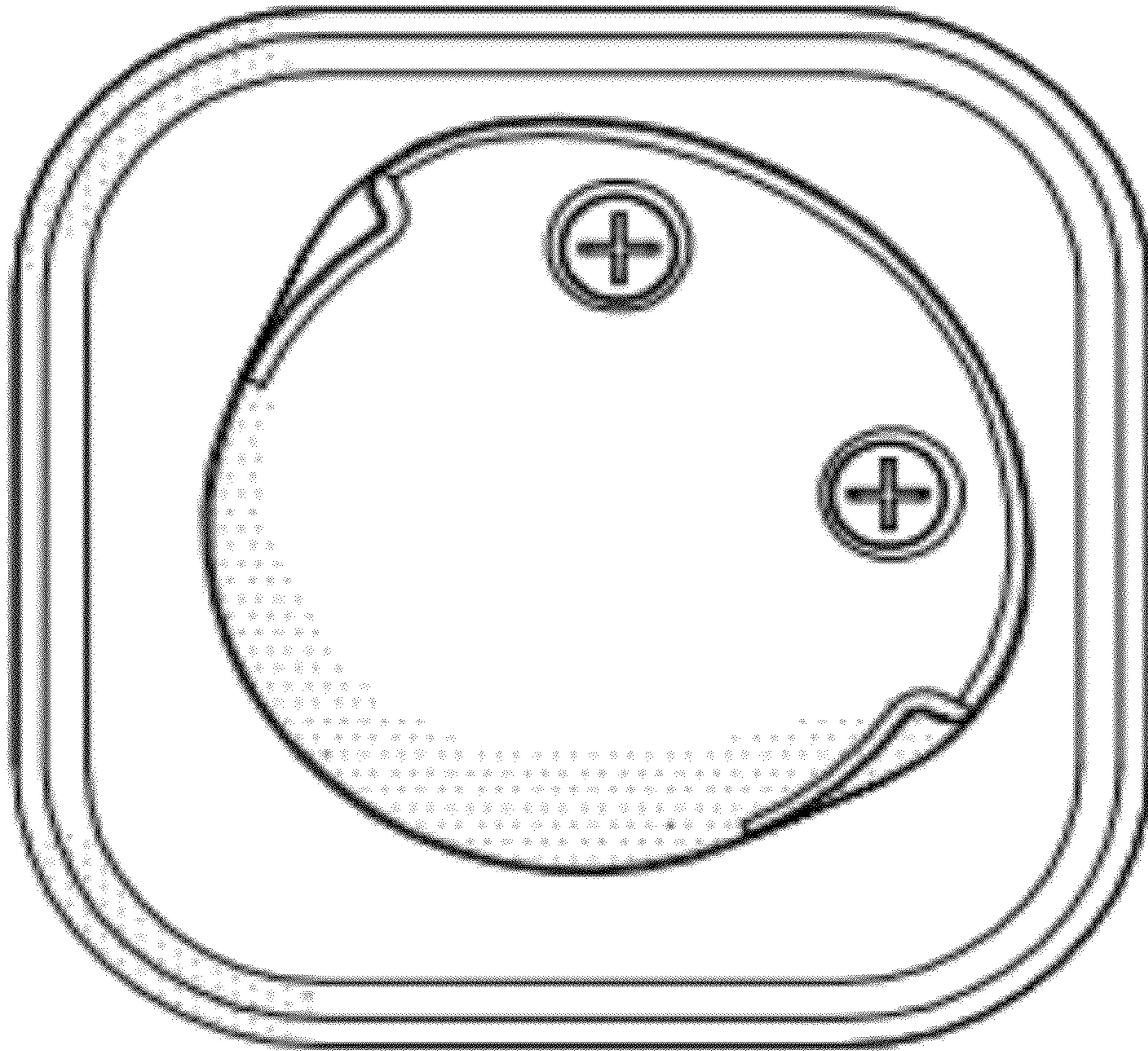


FIG. 6

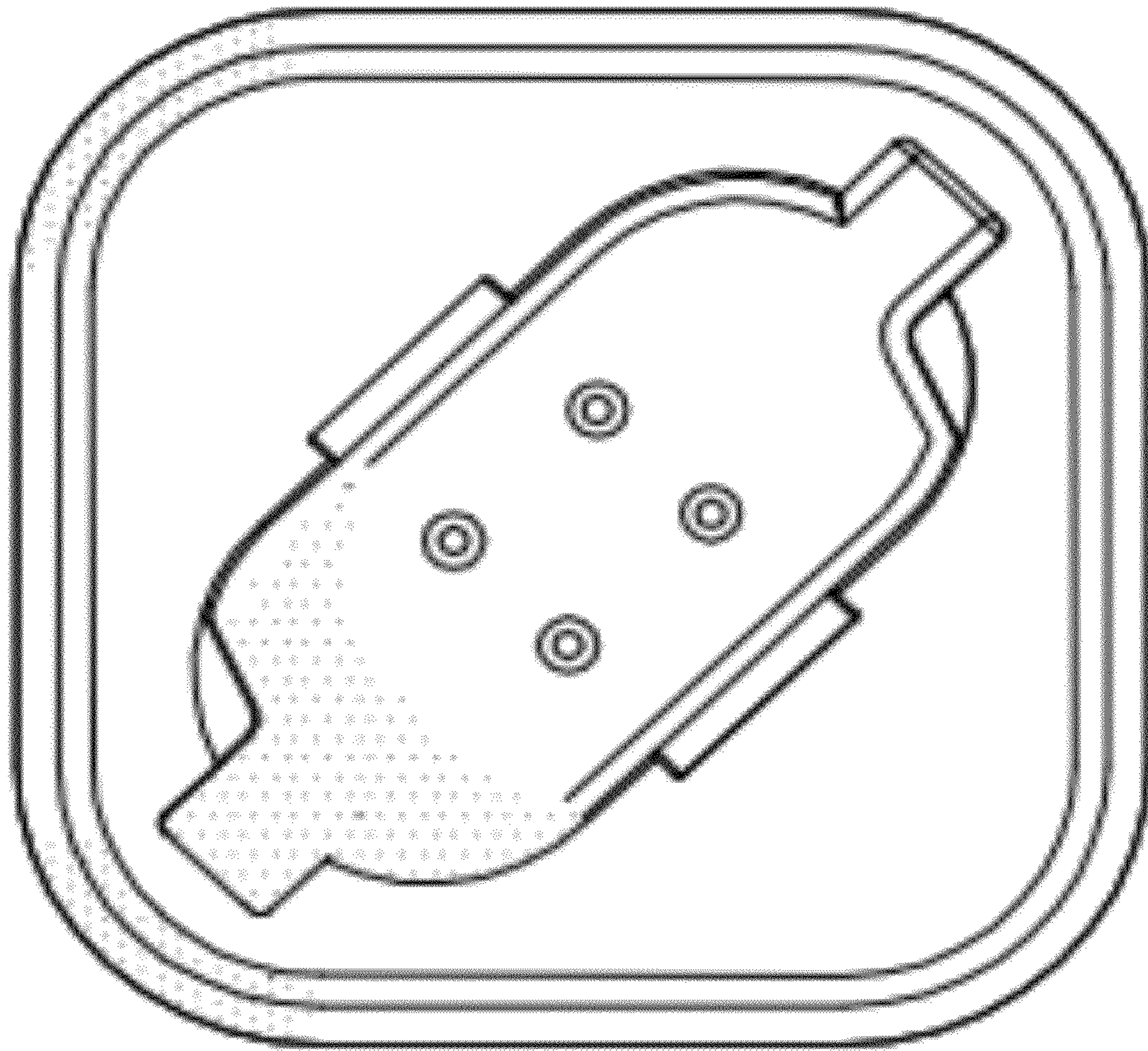


FIG. 7