



US00D674927S

(12) **United States Design Patent**
Chinniah et al.

(10) **Patent No.:** **US D674,927 S**
(45) **Date of Patent:** **** Jan. 22, 2013**

(54) **LED LAMP**

2011/0037387 A1 2/2011 Chou et al.
2012/0080669 A1 4/2012 Yamazaki et al.
2012/0182711 A1 7/2012 Kolodin

(75) Inventors: **Jeyachandrabose Chinniah**,
Willoughby Hills, OH (US); **Jeremias**
Anthony Martins, Twinsburg, OH (US);
Glenn Howard Kuenzler, Beachwood,
OH (US); **Daniel N. Grimm**, Round
Rock, TX (US)

* cited by examiner

Primary Examiner — Marcus Jackson
(74) *Attorney, Agent, or Firm* — GE Global Patent
Operation; Peter T. DiMauro

(73) Assignee: **GE Lighting Solutions, LLC**, East
Cleveland, OH (US)

(57) **CLAIM**
The ornamental design for an LED lamp, as shown and
described.

(**) Term: **14 Years**

DESCRIPTION

(21) Appl. No.: **29/420,071**

FIG. 1 is an upper perspective view of a first embodiment of
the lamp, the following FIGS. 2-4 also describing the first
embodiment;

(22) Filed: **May 4, 2012**

FIG. 2 is a side elevational view of the lamp, the side eleva-
tional view from all sides of the lamp being the same;

(51) **LOC (9) Cl.** **26-04**

FIG. 3 is a bottom view of the lamp;

(52) **U.S. Cl.** **D26/2**

FIG. 4 is a top plan view of the lamp.

(58) **Field of Classification Search** D26/1-4;
313/313, 315, 316, 317, 318, 493; 315/52,
315/53, 56, 57, 58

FIG. 5 is an upper perspective view of a second embodiment
of the lamp, the following FIGS. 6-8 also describing the
second embodiment;

See application file for complete search history.

FIG. 6 is a side elevational view of the lamp, the side eleva-
tional view from all sides of the lamp being the same;

(56) **References Cited**

U.S. PATENT DOCUMENTS

6,350,041	B1 *	2/2002	Tarsa et al.	362/231
D508,575	S *	8/2005	Buschmann et al.	D26/2
D528,227	S *	9/2006	Chou et al.	D26/2
D531,741	S *	11/2006	Takahashi	D26/2
D534,665	S *	1/2007	Egawa et al.	D26/2
D653,365	S *	1/2012	Yuan et al.	D26/2
D658,788	S	5/2012	Dudik et al.	
D660,991	S	5/2012	Allen et al.	

FIG. 7 is a bottom view of the lamp; and,

FIG. 8 is a top plan view of the lamp.

The broken lines on the drawings depict portions of the lamp
that form no part of the claimed design. References to “side”,
“top”, and “bottom” in the figure descriptions are not meant to
require certain in-use orientation; a lamp according to the
claimed design may be used in any orientation.

1 Claim, 8 Drawing Sheets

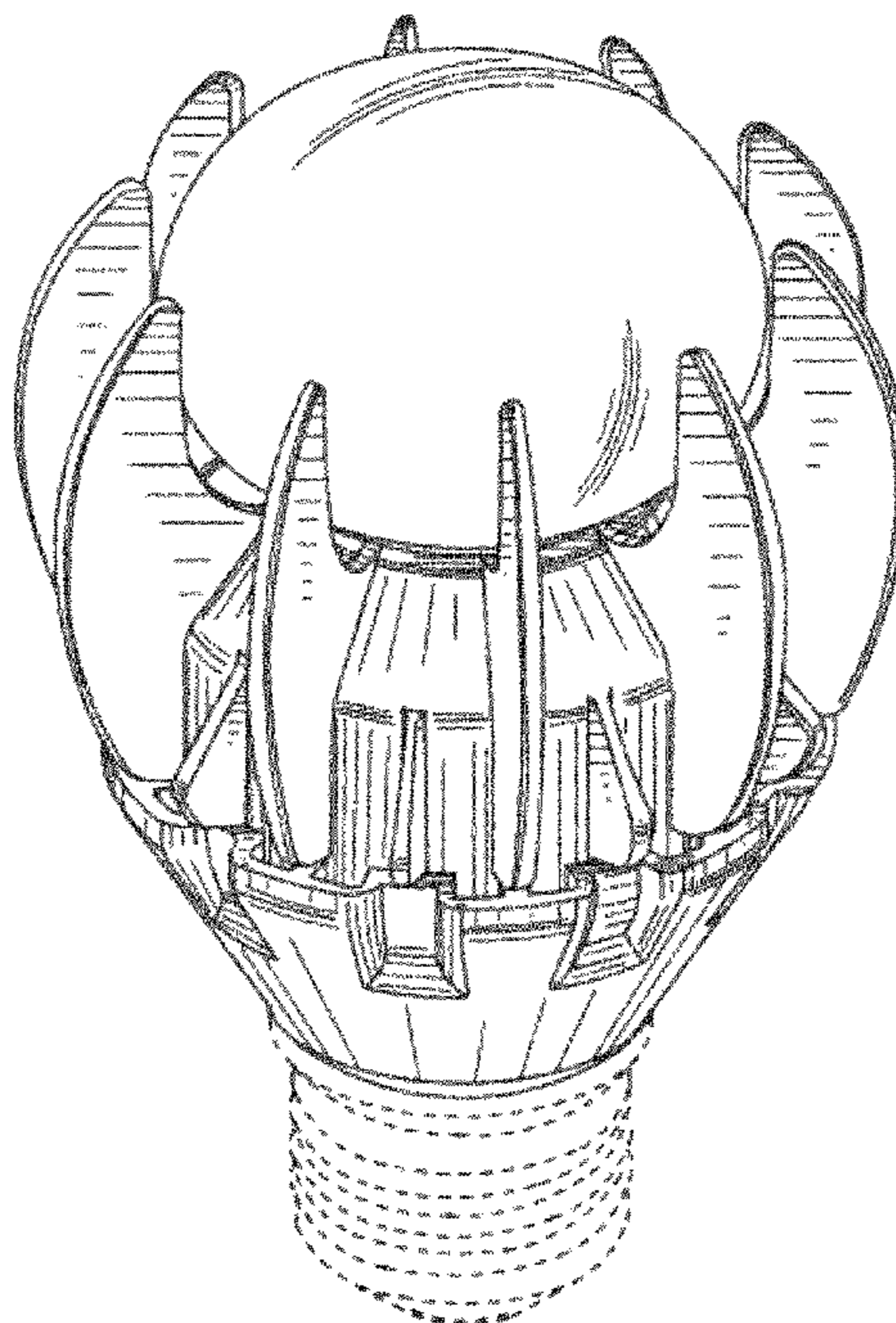


Figure 1

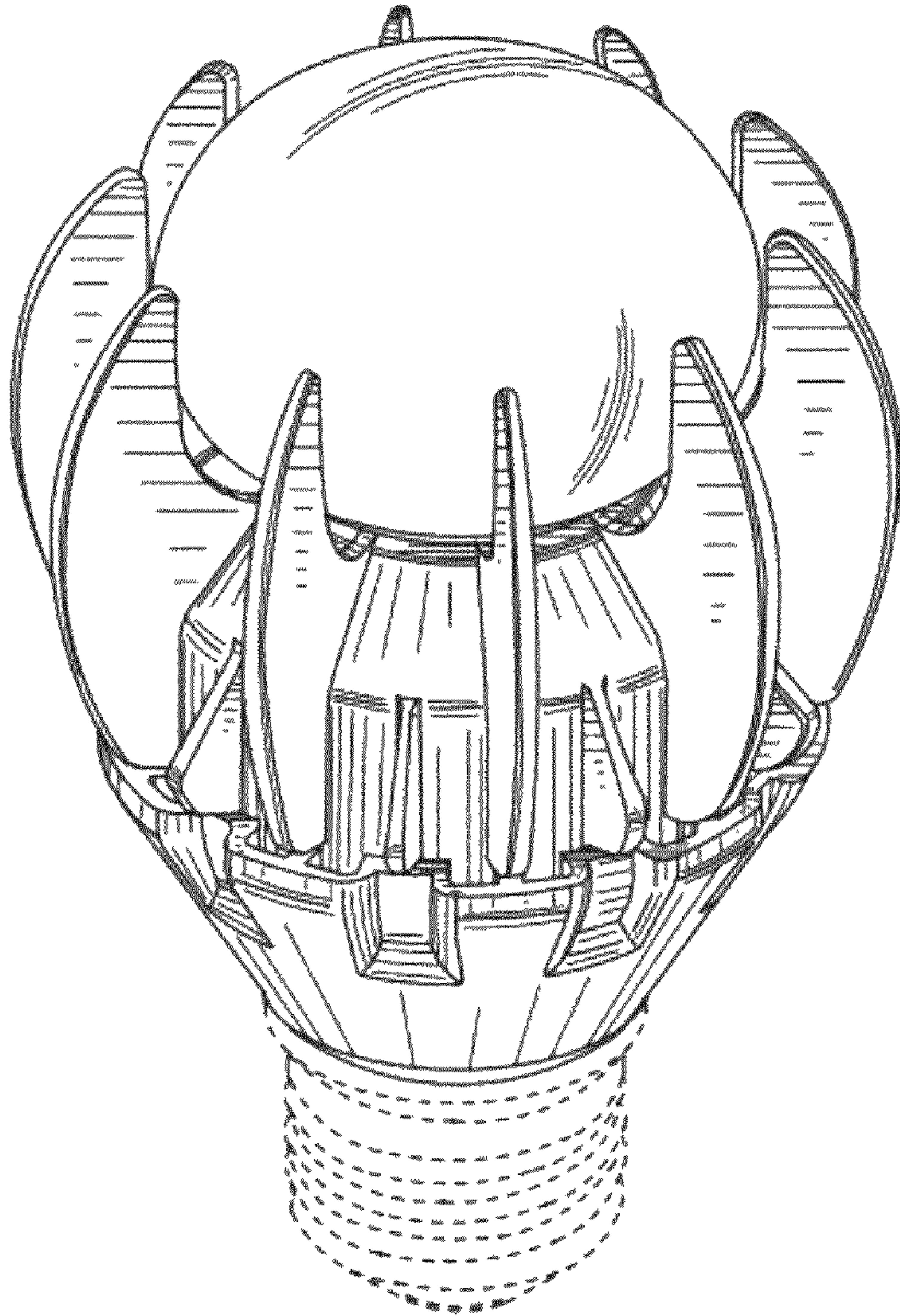


Figure 2

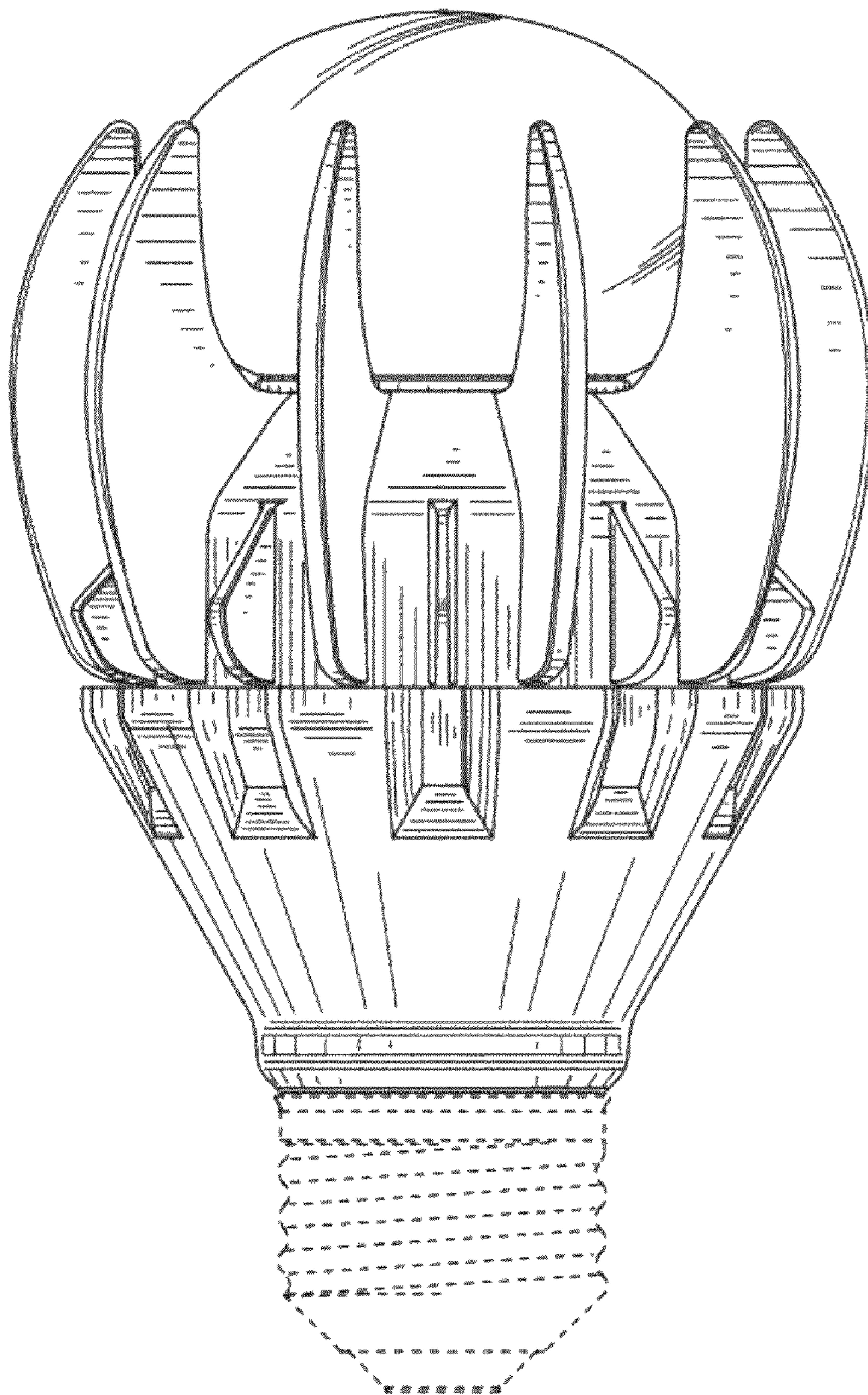


Figure 3

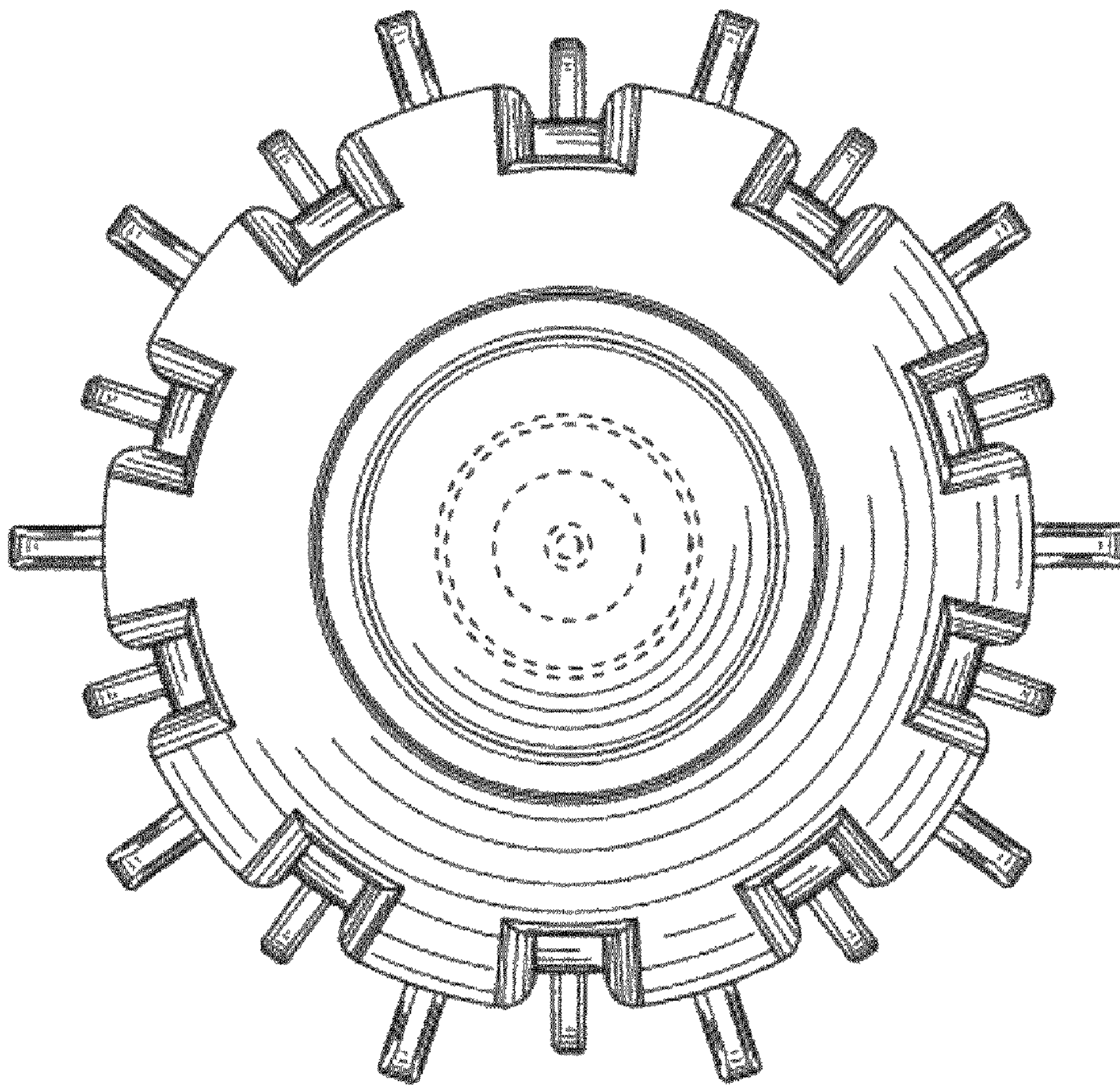


Figure 4

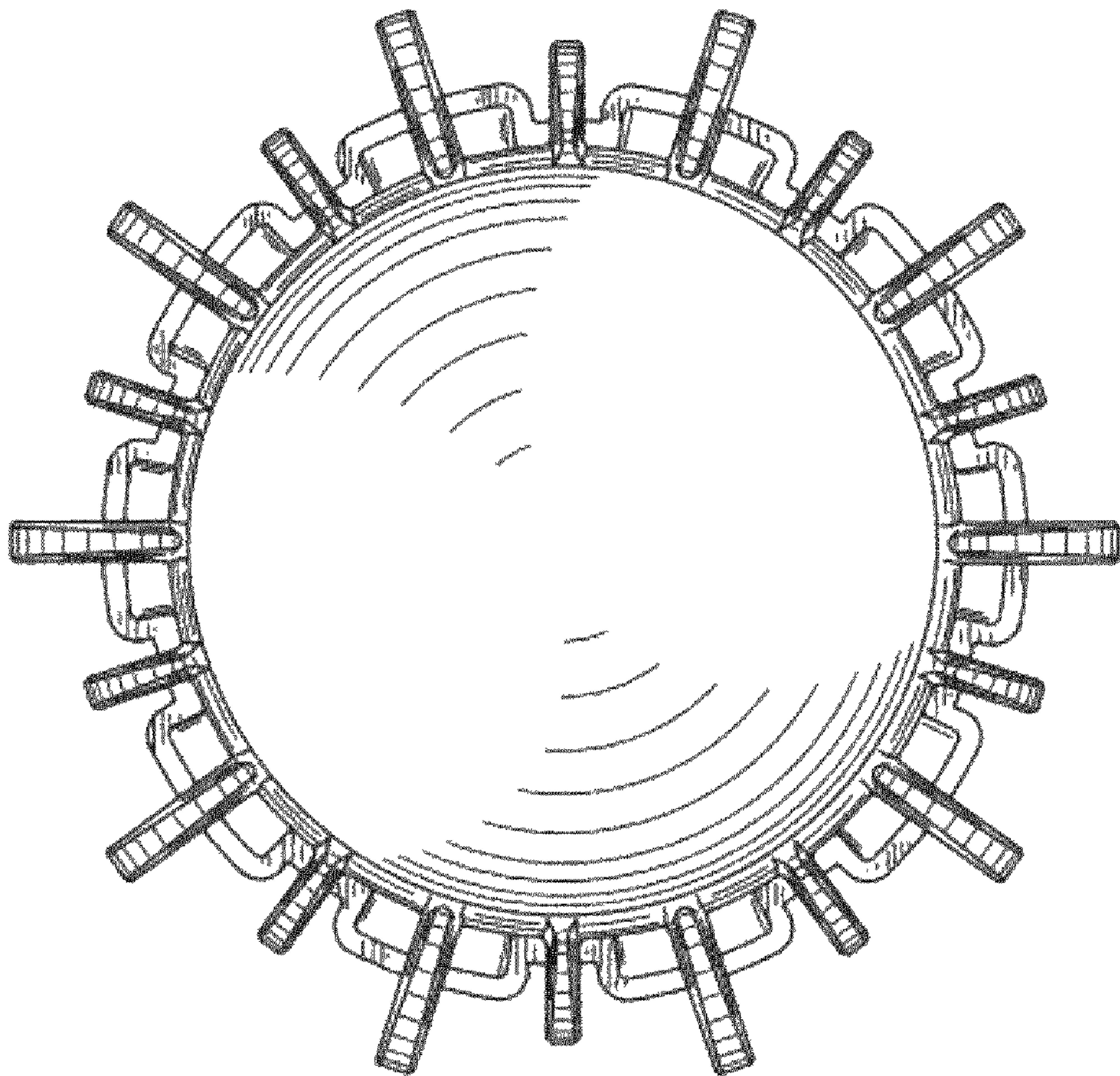


Figure 5

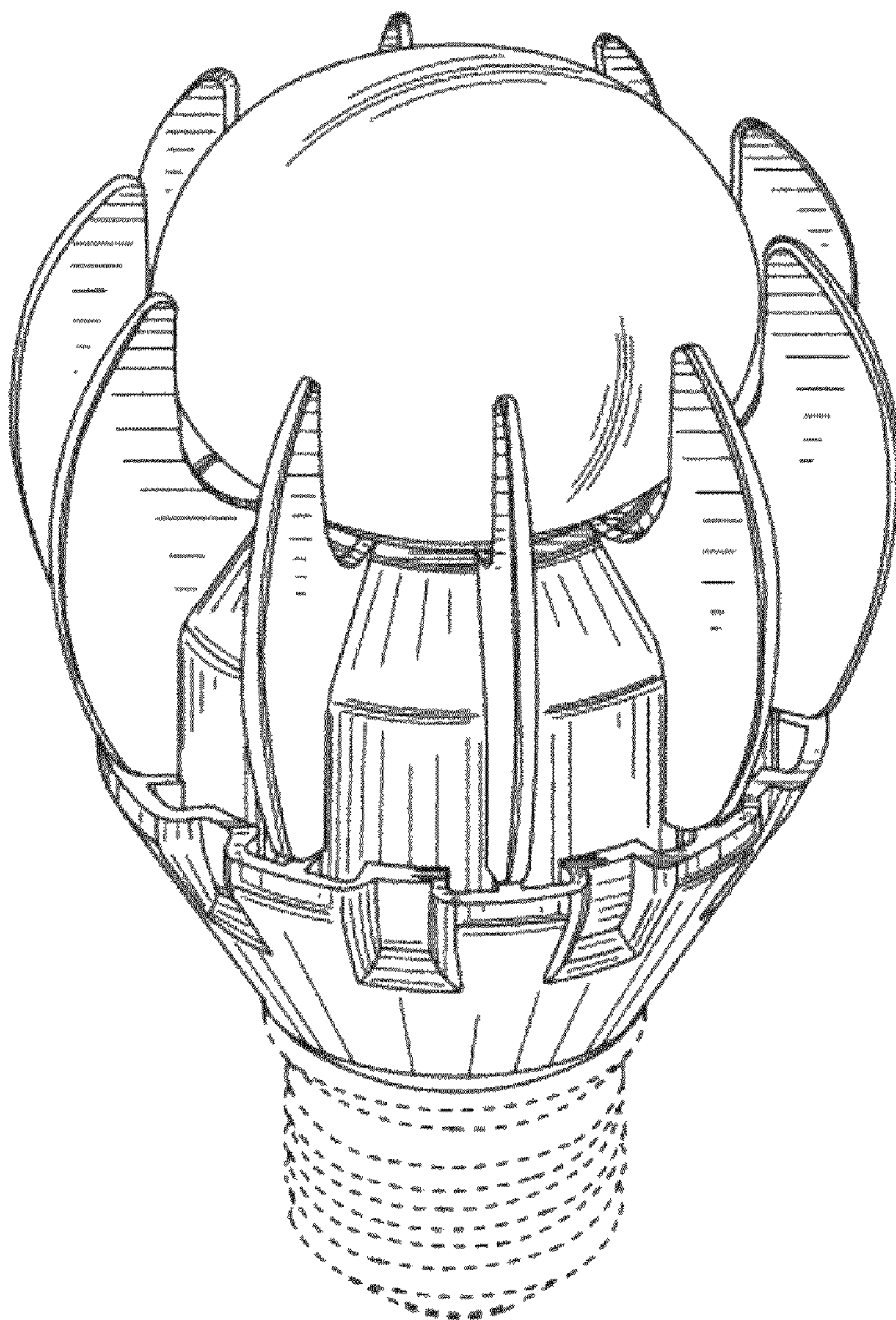


Figure 6

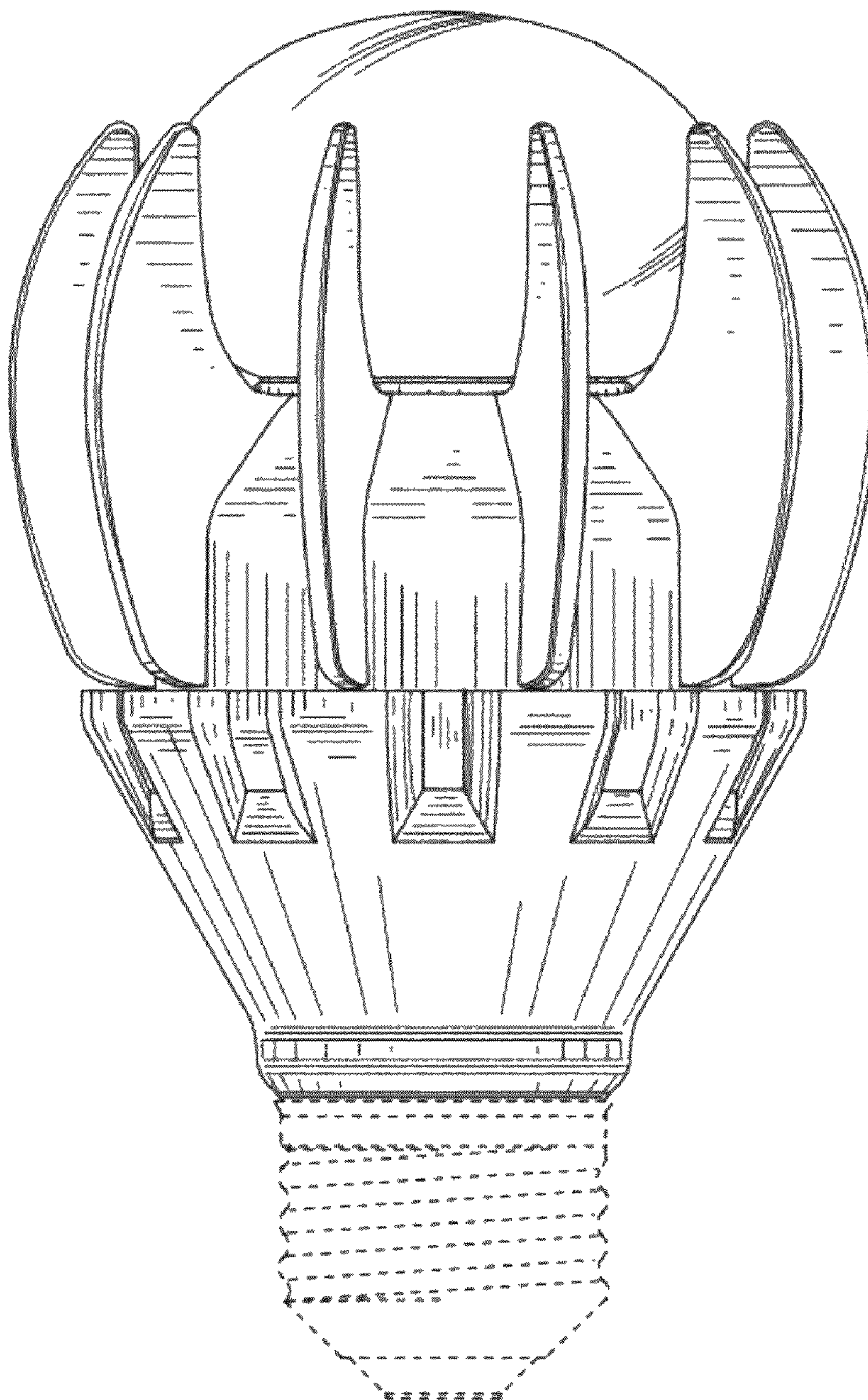


Figure 7

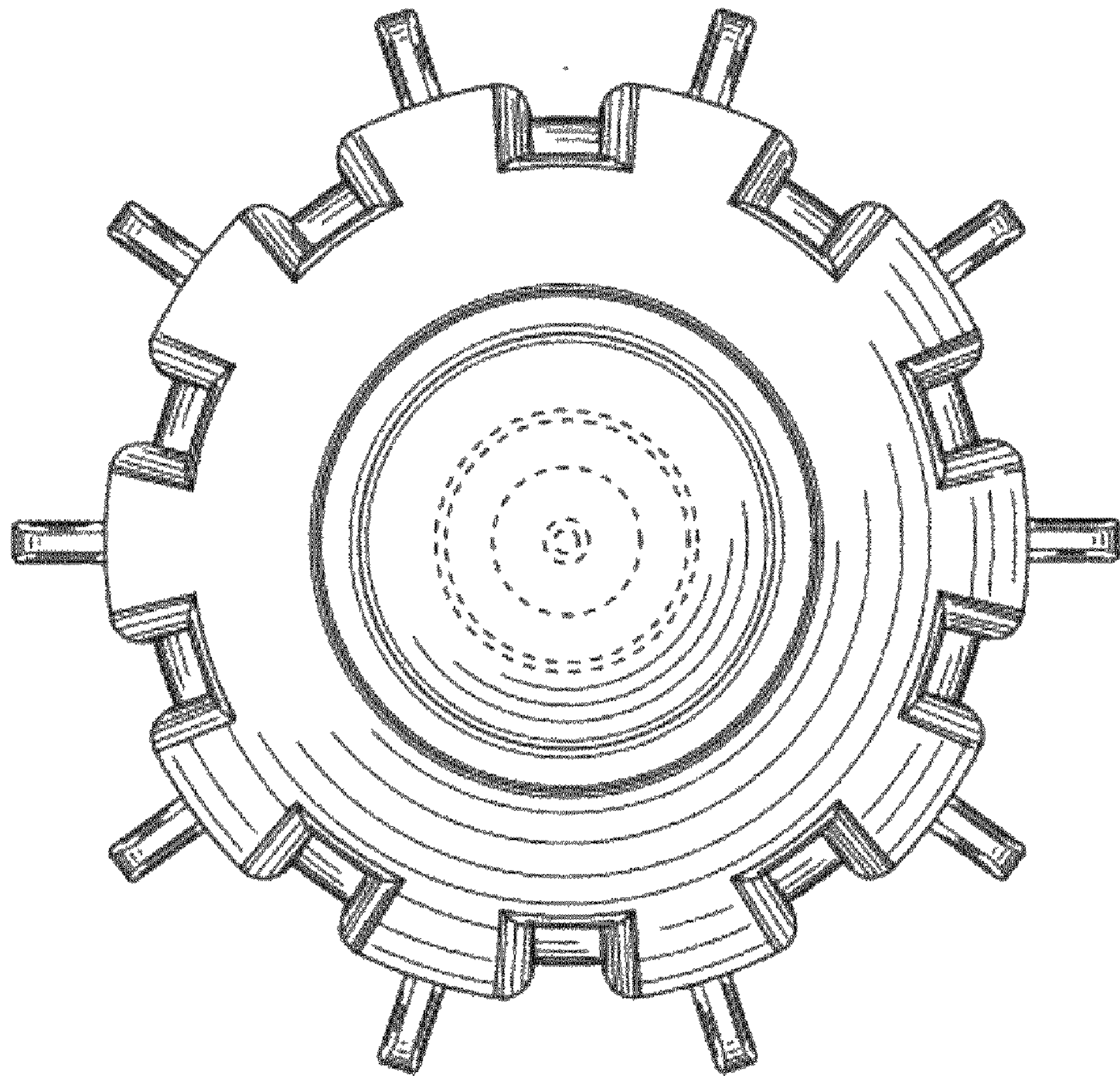


Figure 8

