



US00D674925S

(12) **United States Design Patent**
Zhang

(10) **Patent No.:** **US D674,925 S**
(45) **Date of Patent:** **** Jan. 22, 2013**

(54) **LED LAMP**

D558,904 S * 1/2008 Tsuruha et al. D26/2
D579,130 S * 10/2008 Hernandez et al. D26/2
D600,368 S * 9/2009 Bertram et al. D26/2
D610,272 S * 2/2010 Guo et al. D26/2

(75) Inventor: **Sumin Zhang**, Guangdong (CN)

(73) Assignee: **Smalux Electrical Mfg. Ltd.**, Shenzhen (CN)

* cited by examiner

(**) Term: **14 Years**

Primary Examiner — Marcus Jackson

(74) *Attorney, Agent, or Firm* — Dovas Law, P.C.

(21) Appl. No.: **29/417,083**

(22) Filed: **Mar. 29, 2012**

(57) **CLAIM**

The ornamental design for a LED lamp, as shown and described.

(30) **Foreign Application Priority Data**

Sep. 29, 2011 (CN) 2011 3 0350435

DESCRIPTION

(51) **LOC (9) Cl.** **26-04**

(52) **U.S. Cl.** **D26/2**

(58) **Field of Classification Search** D26/1-4;
313/313, 315, 316, 317, 318, 493; 315/52,
315/53, 56, 57, 58

See application file for complete search history.

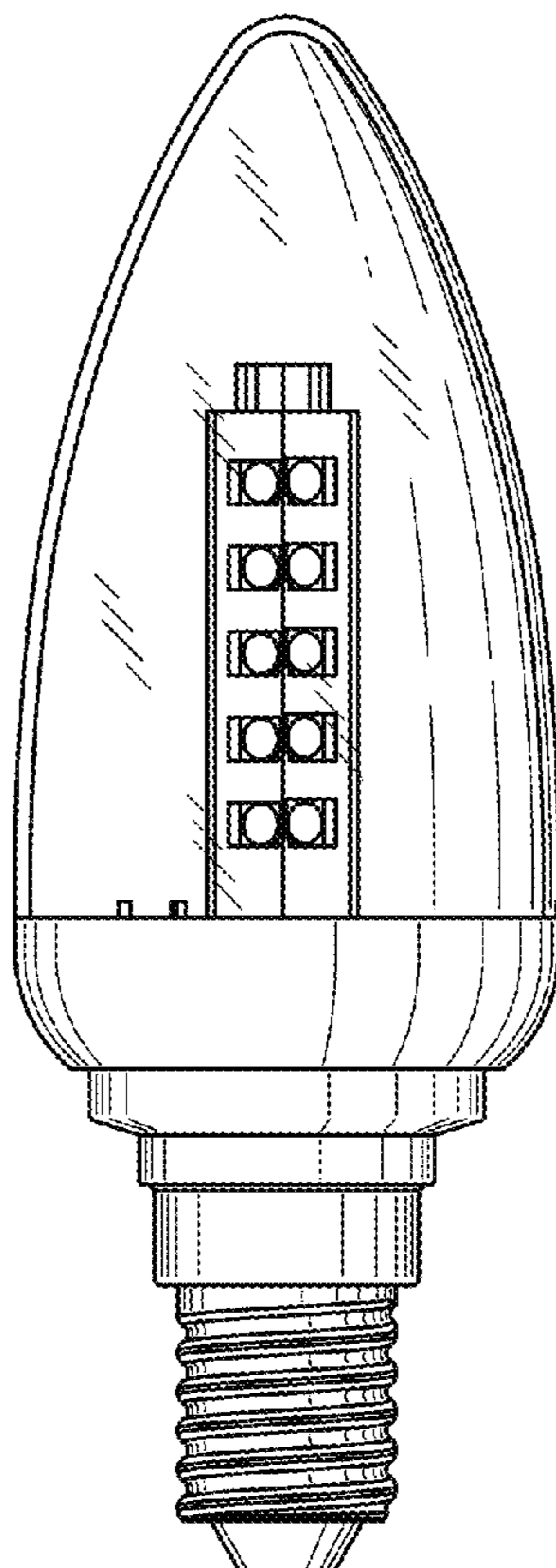
FIG. 1 is a front elevational view of an LED lamp showing my new design;
FIG. 2 is a rear elevational view of the LED lamp of FIG. 1;
FIG. 3 is a left side elevational view of the LED lamp of FIG. 1;
FIG. 4 is a right side elevational view of the LED lamp of FIG. 1;
FIG. 5 is a top plan view of the LED lamp of FIG. 1;
FIG. 6 is a bottom plan view of the LED lamp of FIG. 1; and,
FIG. 7 is a perspective view of the LED lamp of FIG. 1.

(56) **References Cited**

U.S. PATENT DOCUMENTS

D543,288 S * 5/2007 Bembridge D26/2
D544,109 S * 6/2007 Tsuruha et al. D26/2

1 Claim, 7 Drawing Sheets



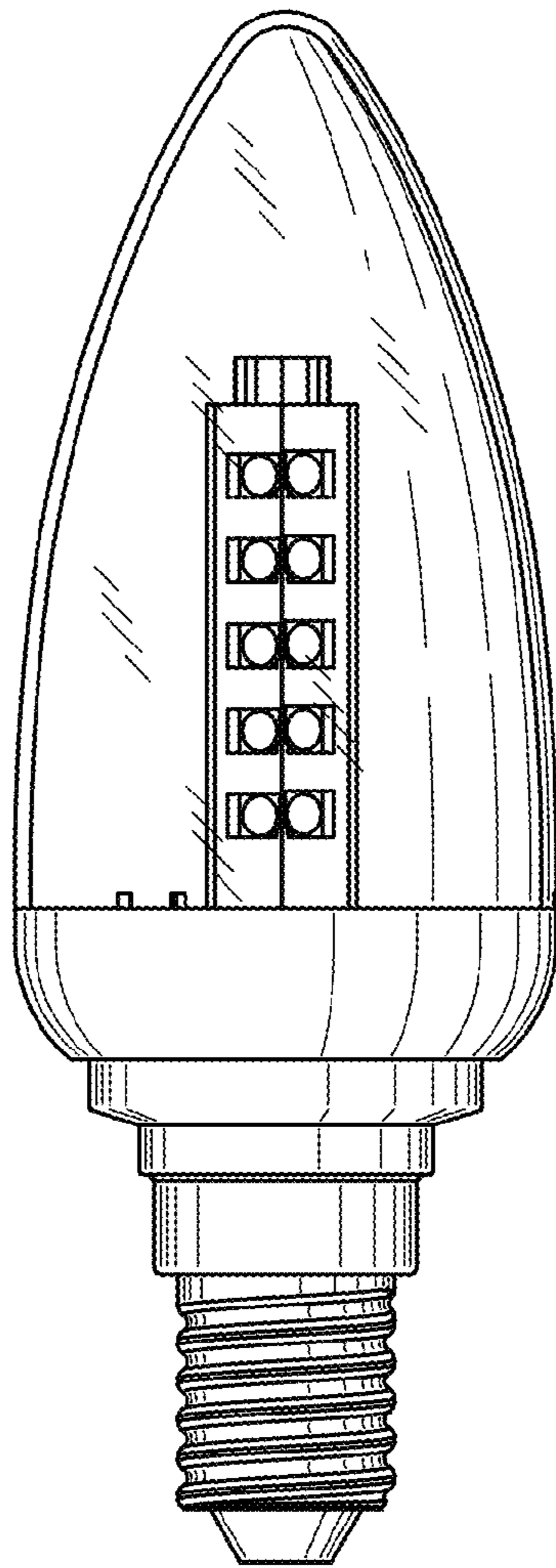


FIG. 1

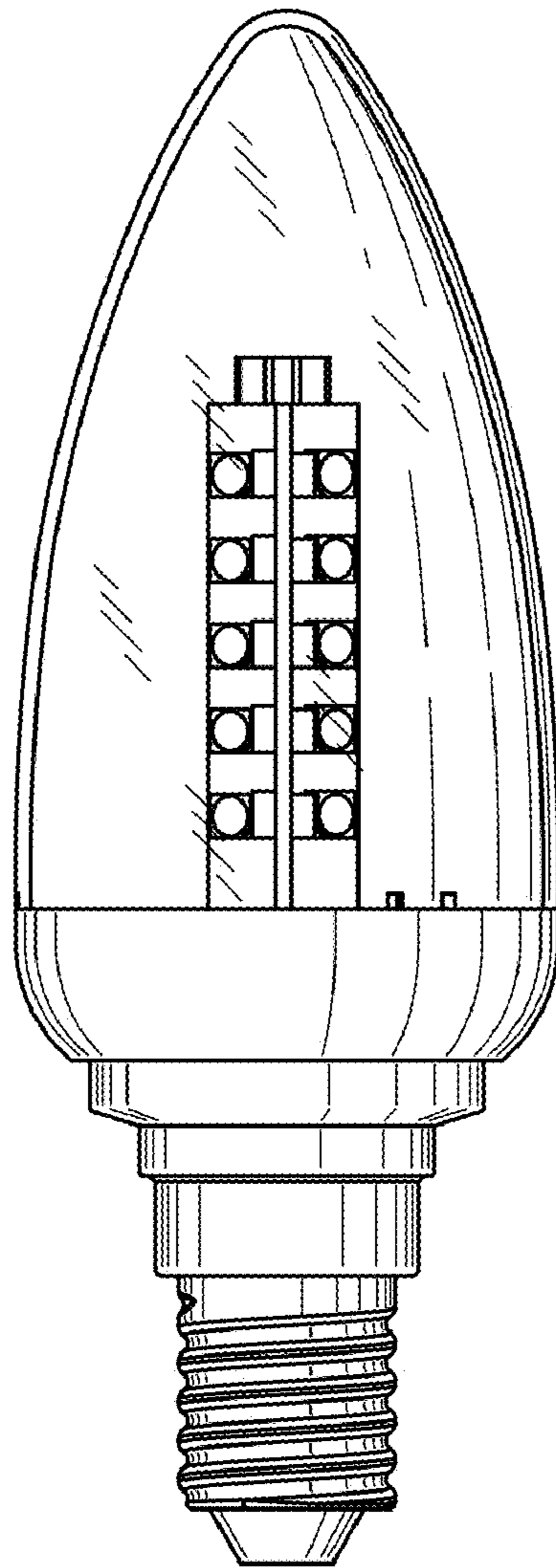


FIG. 2

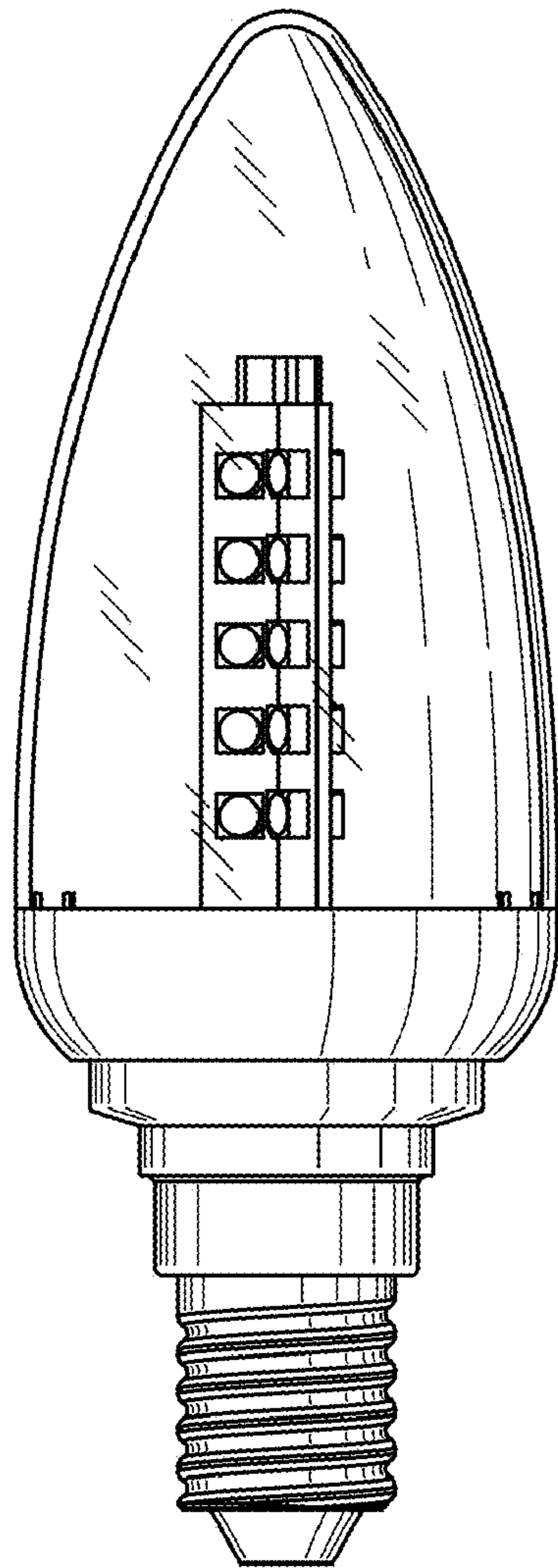


FIG. 3

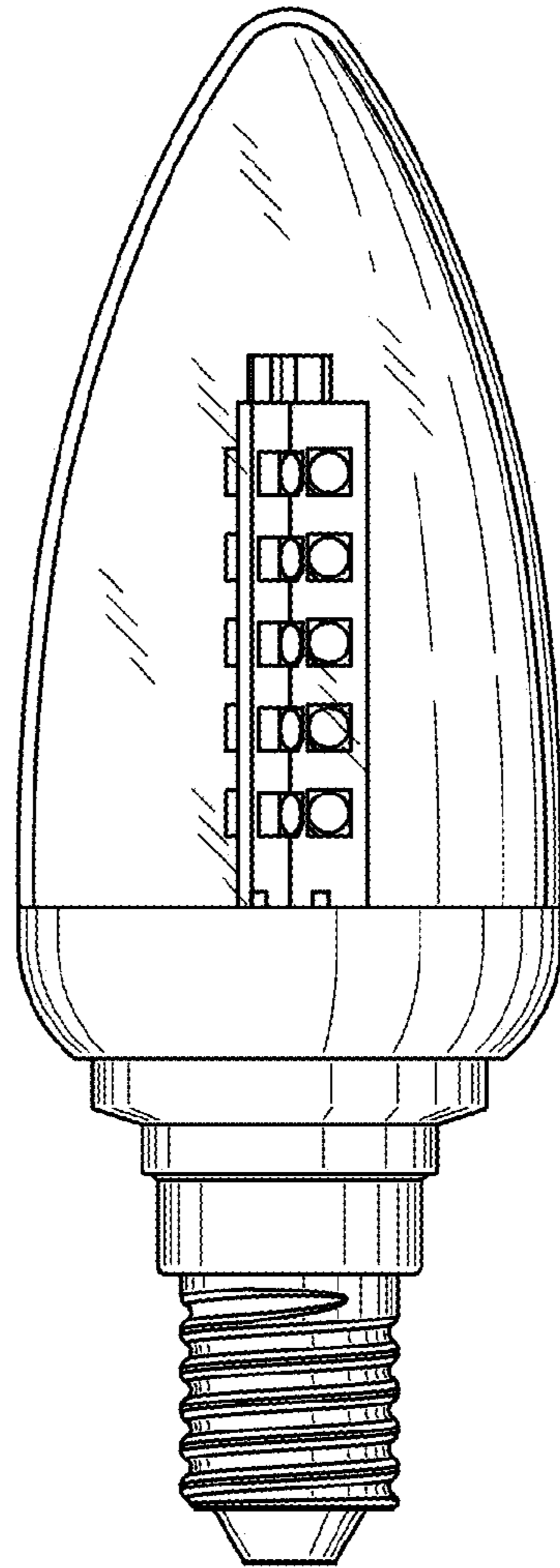


FIG. 4

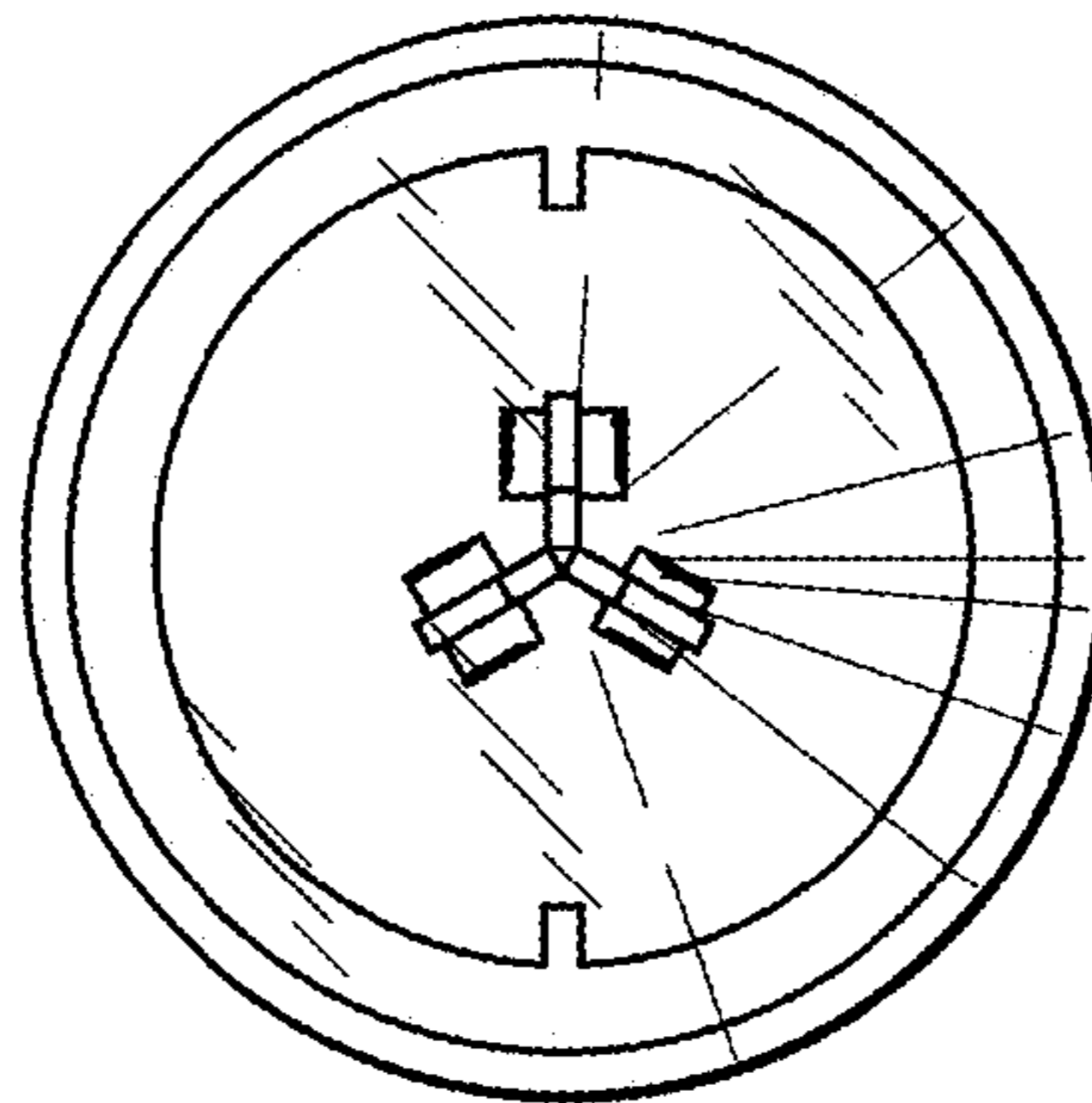


FIG. 5

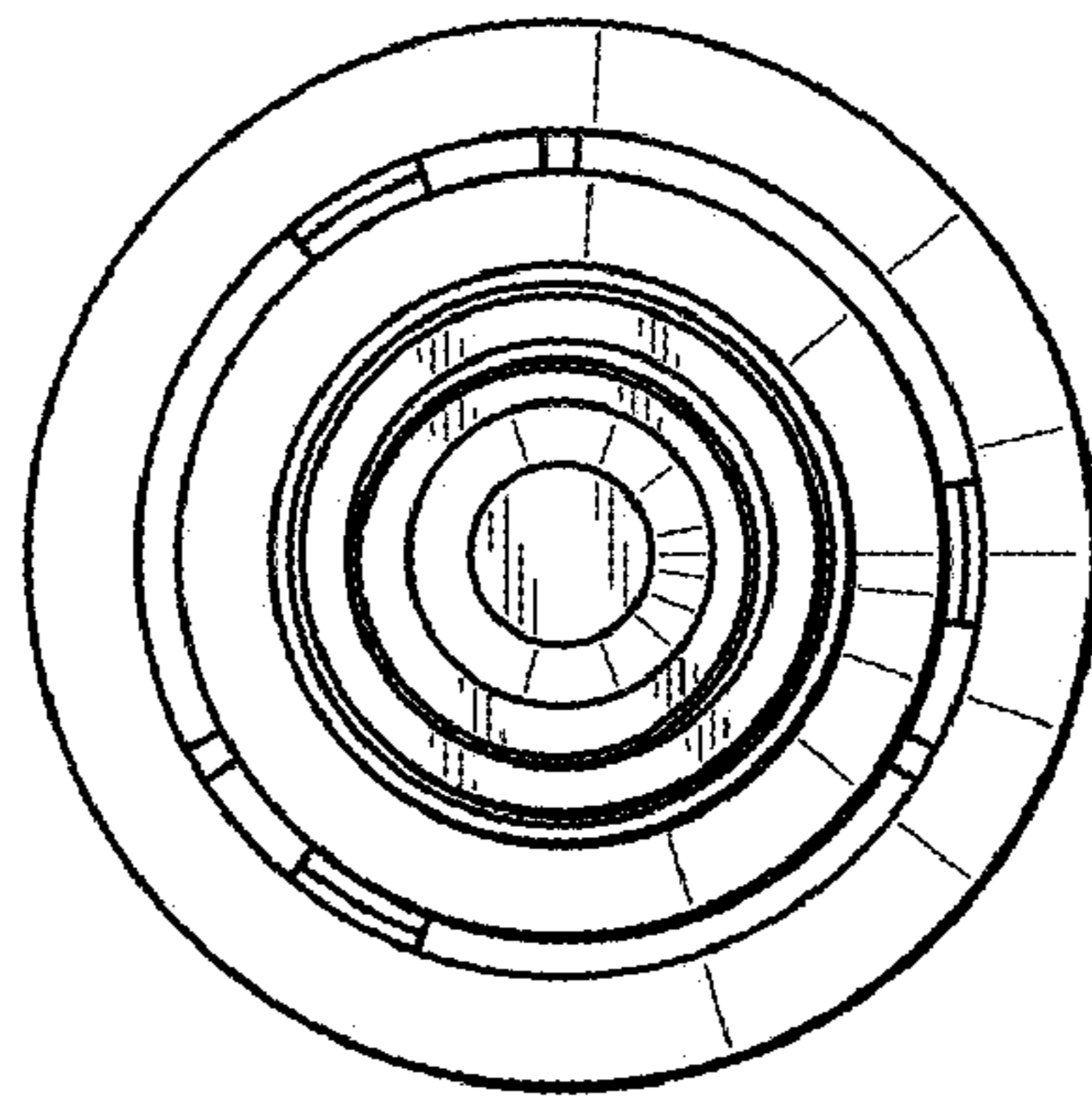


FIG. 6

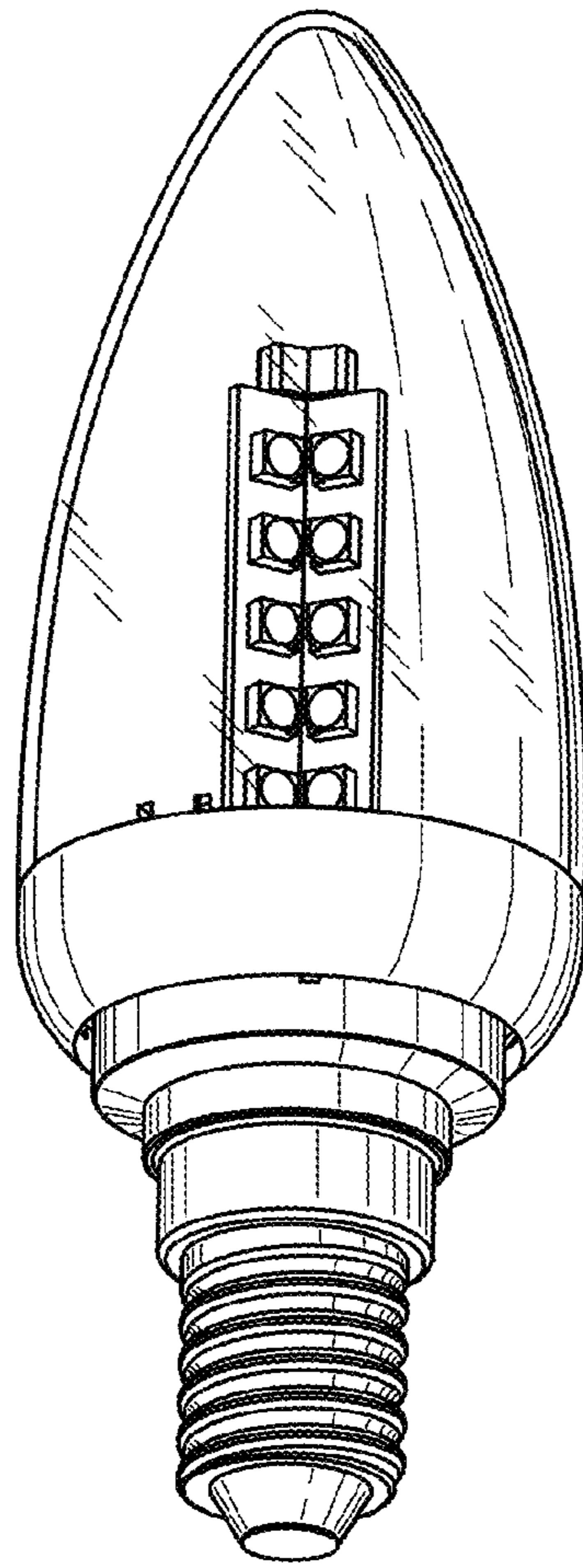


FIG. 7