



US00D674923S

(12) **United States Design Patent**
Maxik et al.

(10) **Patent No.:** **US D674,923 S**
(45) **Date of Patent:** **** Jan. 22, 2013**

(54) **LUMINAIRE**

(75) Inventors: **Fredric S. Maxik**, Indialantic, FL (US);
David Henderson, Indialantic, FL (US);
Mark Penley Boomgaarden, Indian
Harbour Beach, FL (US); **Addy S.**
Widjaja, Palm Bay, FL (US); **Emilio**
Flores, Indian Harbor, FL (US); **Shane**
Sullivan, Indialantic, FL (US); **Wei Sun**,
Davie, FL (US)

(73) Assignee: **Lighting Science Group Corporation**,
Satellite Beach, FL (US)

(**) Term: **14 Years**

(21) Appl. No.: **29/416,010**

(22) Filed: **Mar. 16, 2012**

Related U.S. Application Data

(62) Division of application No. 29/360,985, filed on May
4, 2010, now Pat. No. Des. 659,266.

(51) **LOC (9) Cl.** **26-04**

(52) **U.S. Cl.** **D26/2**

(58) **Field of Classification Search** D26/1-4;
313/313, 315, 316, 317, 318, 493; 315/52,
315/53, 56, 57, 58

See application file for complete search history.

(56) **References Cited**

U.S. PATENT DOCUMENTS

4,375,607 A 3/1983 Morton et al.
(Continued)

FOREIGN PATENT DOCUMENTS

WO 2006118457 11/2006
(Continued)

OTHER PUBLICATIONS

<http://img.diytrade.com/cdimg/395588/7678937/...http://images.google.com/imgres?imgurl=http://img.diytrade.com/cdimg/3...>

(Continued)

Primary Examiner — Marcus Jackson

(74) *Attorney, Agent, or Firm* — Cantor Colburn LLP

(57) **CLAIM**

We claim, the ornamental design for a luminaire, as shown and described.

DESCRIPTION

FIG. 1 is a first side view of a second embodiment of the invention

FIG. 2 is a second side view of the embodiment of FIG. 1;

FIG. 3 is a top plan view of the embodiment of FIG. 1;

FIG. 4 is a bottom plan view of the embodiment of FIG. 1; and,

FIG. 5 is a perspective view of the embodiment of FIG. 1.

The degree of transparency or opaqueness of the lens of the luminaire forms no part of the claimed design. The lens of the claimed luminaire may have facets, lenslets or other treatments.

The dash-dot lines shown in FIGS. 1-5 are environmental and not part of the claimed design.

The dash-dot-dot lines shown between the heat sink portion and base portion in FIGS. 1, 2, 4, 5 indicates that the heat sink portion may be of any length.

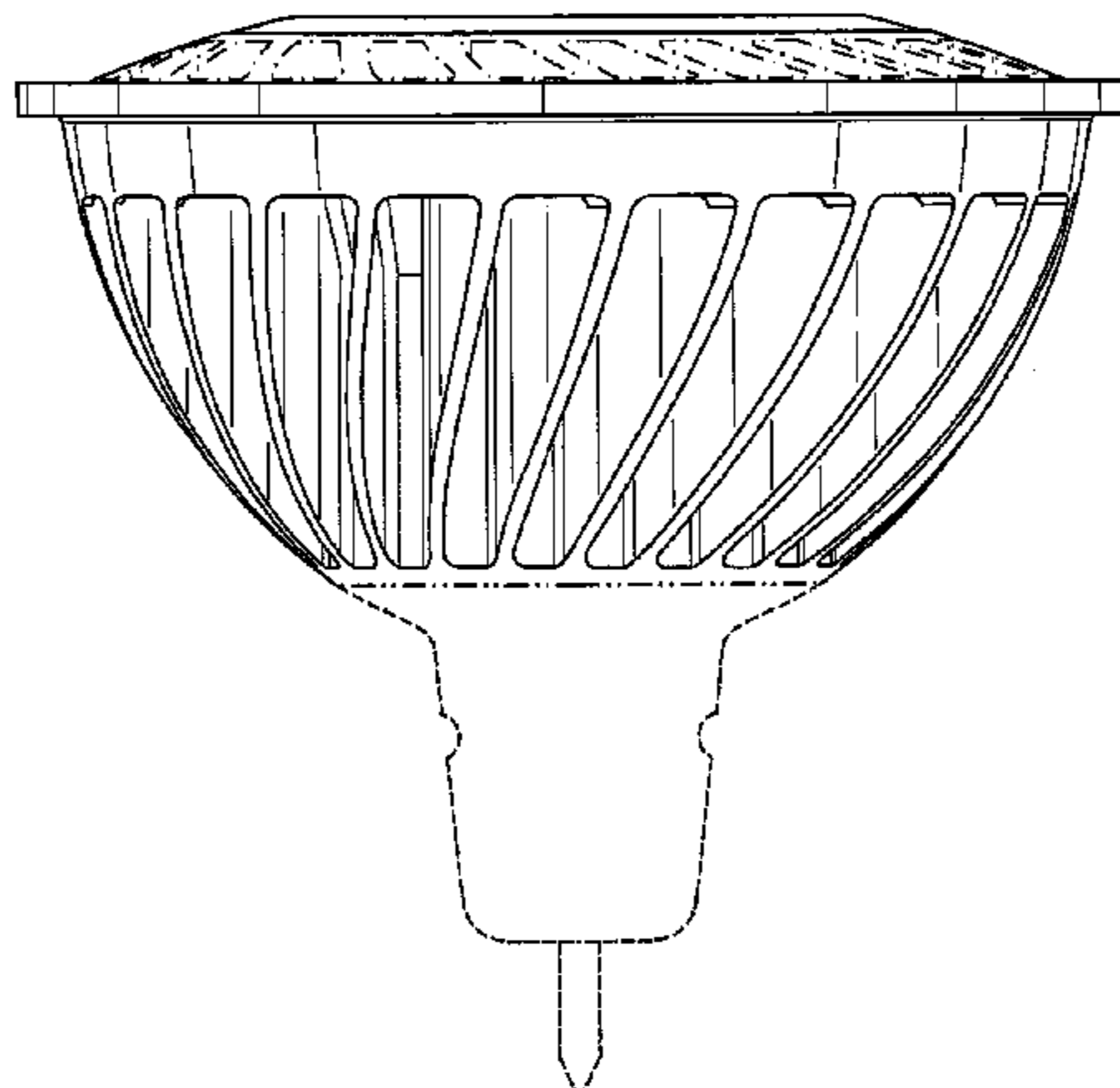
The phantom lines shown in FIG. 1, 2, 4, 5 are environmental and not part of the claimed design.

The color and shading of the luminaire forms no part of the claimed design, the luminaire according to the claimed design may be any color or combination of colors.

The surface treatment of the luminaire forms no part of the claimed design, the luminaire of the claimed design may have any surface treatment.

References to “side”, “top” and “bottom” in the figure descriptions are not meant to require certain in-use orientation; a luminaire according to the claimed design may be used in any orientation.

1 Claim, 5 Drawing Sheets



US D674,923 S

Page 2

U.S. PATENT DOCUMENTS

| | | | | |
|-----------|-----|---------|--------------------|-------|
| 4,392,076 | A | 7/1983 | Ishler et al. | |
| D271,424 | S | 11/1983 | Young et al. | |
| D307,805 | S | 5/1990 | Noe | |
| D321,260 | S | 10/1991 | Bowman | |
| 5,458,505 | A | 10/1995 | Prager | |
| D391,006 | S | 2/1998 | Yang | |
| 5,791,769 | A | 8/1998 | Yang | |
| D470,610 | S | 2/2003 | Bobel | |
| 6,515,433 | B1 | 2/2003 | Ge et al. | |
| D480,486 | S | 10/2003 | Kakuno et al. | |
| 6,655,823 | B2 | 12/2003 | Chang | |
| 6,786,625 | B2 | 9/2004 | Wesson | |
| D497,439 | S | 10/2004 | Shaw et al. | |
| 6,848,812 | B1 | 2/2005 | Hsieh | |
| D508,575 | S | 8/2005 | Buschmann et al. | |
| D516,229 | S | 2/2006 | Tang | |
| D527,119 | S | 8/2006 | Maxik et al. | |
| D528,227 | S | 9/2006 | Chou et al. | |
| D528,673 | S | 9/2006 | Maxik et al. | |
| D531,741 | S | 11/2006 | Takahashi | |
| D534,665 | S | 1/2007 | Egawa et al. | |
| D538,950 | S | 3/2007 | Maxik | |
| D538,951 | S | 3/2007 | Maxik et al. | |
| D538,952 | S | 3/2007 | Maxik et al. | |
| D541,957 | S | 5/2007 | Wang | |
| D542,943 | S | 5/2007 | Wang | |
| D545,457 | S | 6/2007 | Chen | |
| 7,226,189 | B2 | 6/2007 | Lee et al. | |
| D546,980 | S | 7/2007 | Lo | |
| D549,854 | S | 8/2007 | Takahashi | |
| D560,286 | S | 1/2008 | Maxik et al. | |
| D563,572 | S | 3/2008 | Lukacs | |
| D566,300 | S | 4/2008 | Lo | |
| 7,367,688 | B1 | 5/2008 | Bucher et al. | |
| D570,504 | S | 6/2008 | Maxik et al. | |
| D570,505 | S | 6/2008 | Maxik et al. | |
| D572,358 | S | 7/2008 | Nattrass et al. | |
| D572,385 | S | 7/2008 | Mazzochette et al. | |
| 7,434,964 | B1 | 10/2008 | Zheng et al. | |
| D581,554 | S | 11/2008 | To et al. | |
| D581,583 | S | 11/2008 | Peng | |
| 7,448,772 | B2 | 11/2008 | Hampton | |
| D584,428 | S * | 1/2009 | Li et al. | D26/2 |
| D584,837 | S | 1/2009 | Mazzochette et al. | |
| D586,497 | S | 2/2009 | Wu et al. | |
| 7,513,653 | B1 | 4/2009 | Liu et al. | |
| D592,766 | S * | 5/2009 | Zhu et al. | D26/2 |
| D593,222 | S | 5/2009 | To et al. | |
| D594,143 | S | 6/2009 | Montagnat et al. | |
| D594,995 | S | 6/2009 | Komar | |
| D595,893 | S | 7/2009 | Maxik et al. | |
| D597,225 | S | 7/2009 | Yoo | |
| D597,704 | S | 8/2009 | Peng | |
| D599,041 | S | 8/2009 | Yoo | |
| D600,850 | S | 9/2009 | Maxik et al. | |
| D601,275 | S | 9/2009 | Ho et al. | |
| D601,276 | S | 9/2009 | Grajcar | |
| D601,277 | S | 9/2009 | Grajcar | |
| D601,278 | S | 9/2009 | Takahashi | |
| D601,279 | S | 9/2009 | Ou et al. | |
| D607,586 | S | 1/2010 | Ko | |

| | | | | |
|--------------|-----|---------|-------------------|-------|
| D608,478 | S | 1/2010 | Maxik et al. | |
| D610,271 | S | 2/2010 | Bi | |
| D610,722 | S | 2/2010 | Bi | |
| D612,956 | S | 3/2010 | Moon | |
| D613,433 | S | 4/2010 | Moon | |
| 7,717,590 | B1 | 5/2010 | Li | |
| D617,915 | S | 6/2010 | Wada et al. | |
| D618,369 | S | 6/2010 | Lee et al. | |
| D620,153 | S | 7/2010 | Wang et al. | |
| D621,973 | S | 8/2010 | Grajcar | |
| D621,974 | S | 8/2010 | Grajcar | |
| D623,777 | S | 9/2010 | Moon et al. | |
| D623,778 | S | 9/2010 | Moon et al. | |
| D623,779 | S | 9/2010 | Wang et al. | |
| D624,214 | S | 9/2010 | Thomas et al. | |
| D624,215 | S | 9/2010 | Moon et al. | |
| D624,669 | S | 9/2010 | Tsai | |
| D625,437 | S | 10/2010 | Zhang et al. | |
| D626,260 | S | 10/2010 | Wei | |
| D626,667 | S | 11/2010 | Jonsson et al. | |
| D627,087 | S | 11/2010 | Jonsson et al. | |
| D628,322 | S | 11/2010 | Sakai et al. | |
| D628,720 | S | 12/2010 | Wang | |
| D629,129 | S | 12/2010 | Lin et al. | |
| D629,930 | S | 12/2010 | Cotter et al. | |
| D634,031 | S | 3/2011 | de Visser et al. | |
| D634,037 | S | 3/2011 | Jeong et al. | |
| D635,105 | S | 3/2011 | Maxik et al. | |
| D636,902 | S | 4/2011 | Pei et al. | |
| D636,904 | S | 4/2011 | Leahy et al. | |
| D640,820 | S | 6/2011 | Hopper | |
| D646,409 | S | 10/2011 | MacDonald et al. | |
| D648,041 | S | 11/2011 | Mahler et al. | |
| D650,495 | S | 12/2011 | Foo | |
| D656,631 | S | 3/2012 | Leahy et al. | |
| D659,266 | S * | 5/2012 | Maxik et al. | D26/2 |
| D662,627 | S | 6/2012 | Pan | |
| D663,051 | S | 7/2012 | Xu et al. | |
| D663,057 | S | 7/2012 | Pan | |
| D663,446 | S | 7/2012 | Maxik et al. | |
| D665,107 | S | 8/2012 | Tu | |
| 2006/0215408 | A1 | 9/2006 | Lee | |
| 2007/0285926 | A1 | 12/2007 | Maxik | |
| 2008/0253125 | A1 | 10/2008 | Kang et al. | |
| 2009/0141500 | A1 | 6/2009 | Peng | |
| 2009/0296402 | A1 | 12/2009 | Chang et al. | |
| 2010/0027270 | A1 | 2/2010 | Huang et al. | |
| 2010/0091487 | A1 | 4/2010 | Shin | |

FOREIGN PATENT DOCUMENTS

WO 2008113837 A2 9/2008

OTHER PUBLICATIONS

SP-E27 LB60 Nicha / Cree LED Lamp, posted Dec. 18, 2008, http://www.diytrade.com/china/4/products/4950147/SP-E27_LB60_Nicha_Cree_LED_Lamp.html, accessed Jun. 30, 2009.
 F.S. Maxik, "GU10 Lamp" Office Action mailed Mar. 16, 2011; U.S. Appl. No. 29/340,670, filed Jul. 23, 2009.

* cited by examiner

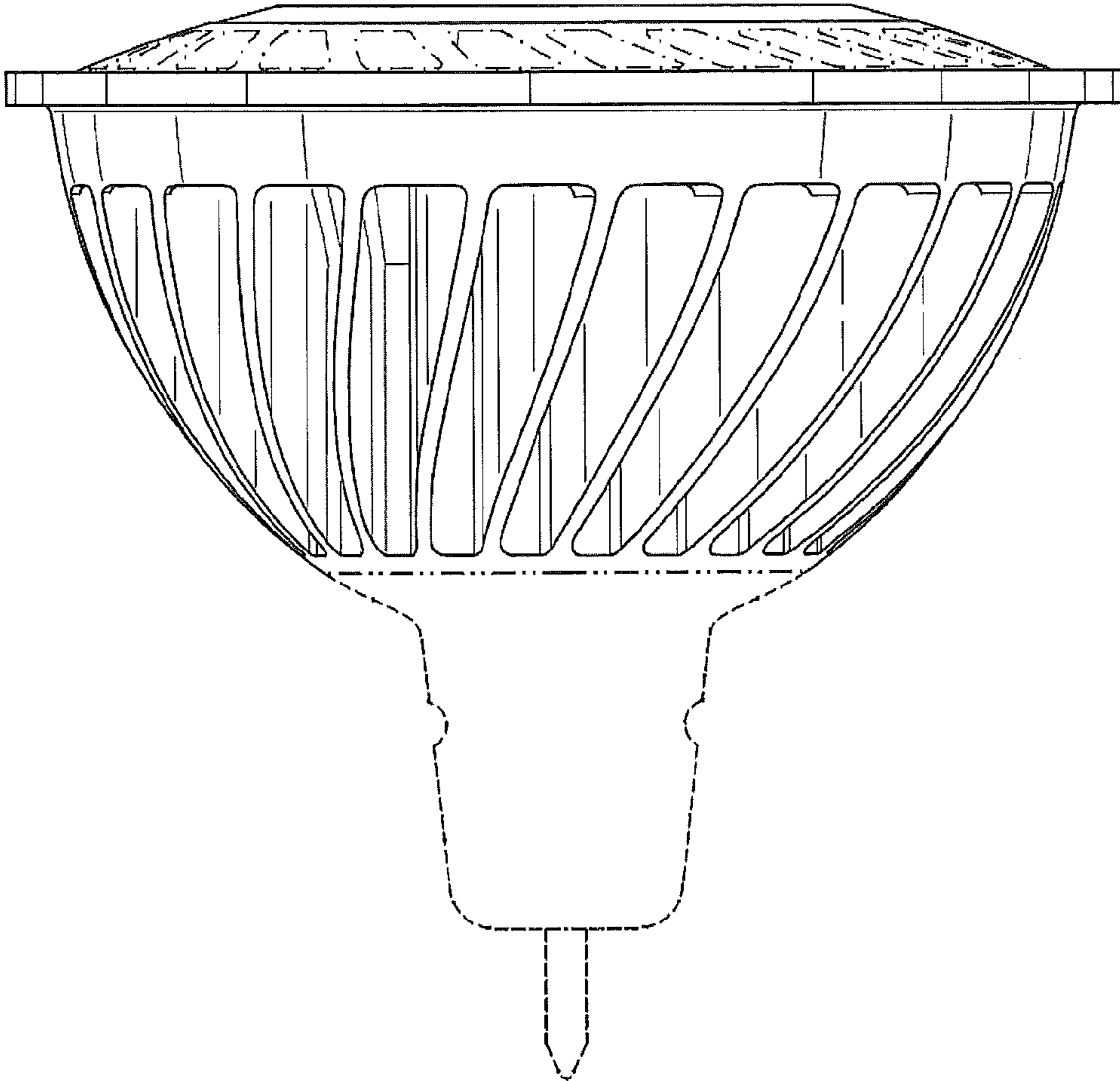


FIG. 1

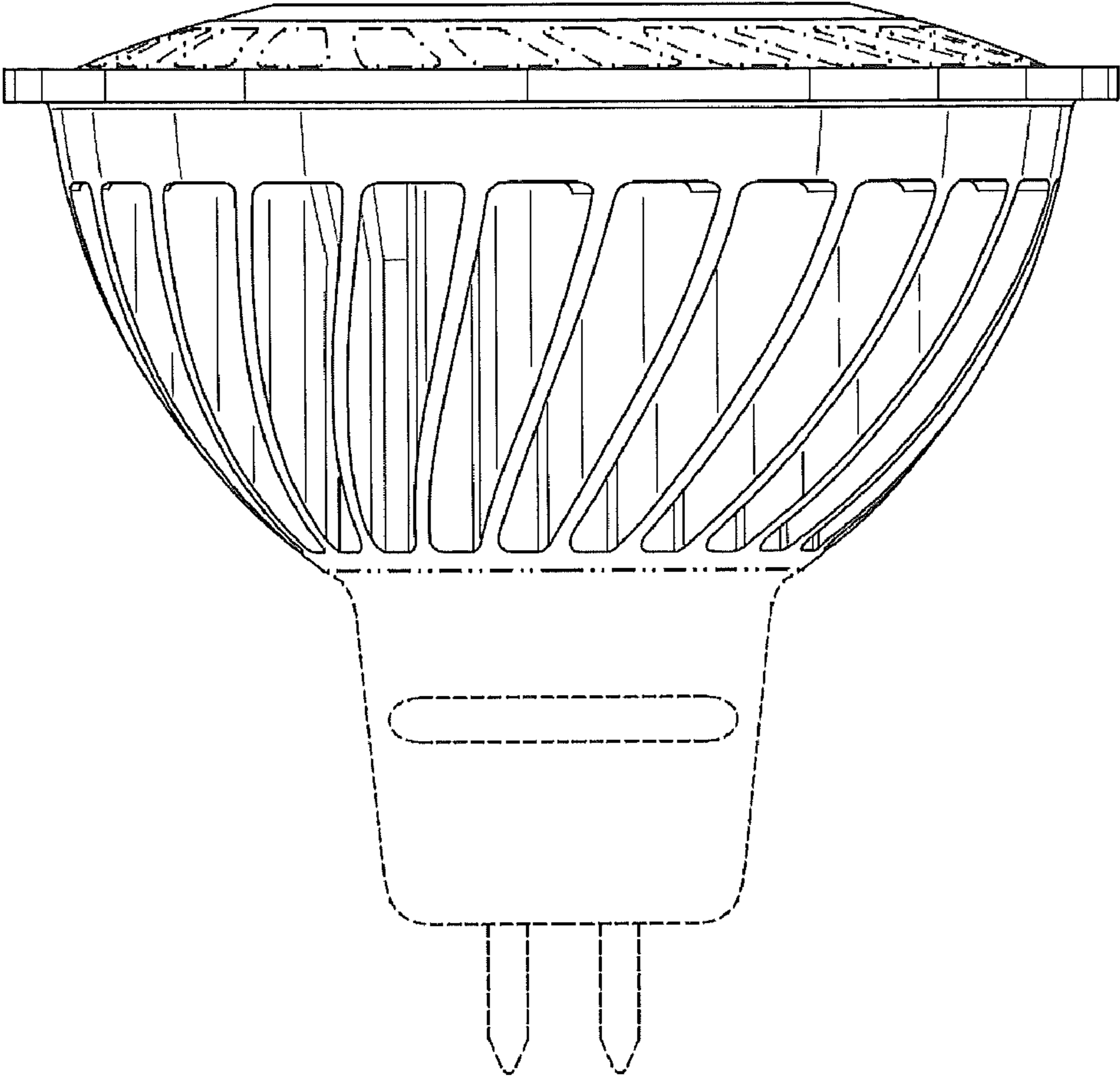


FIG. 2

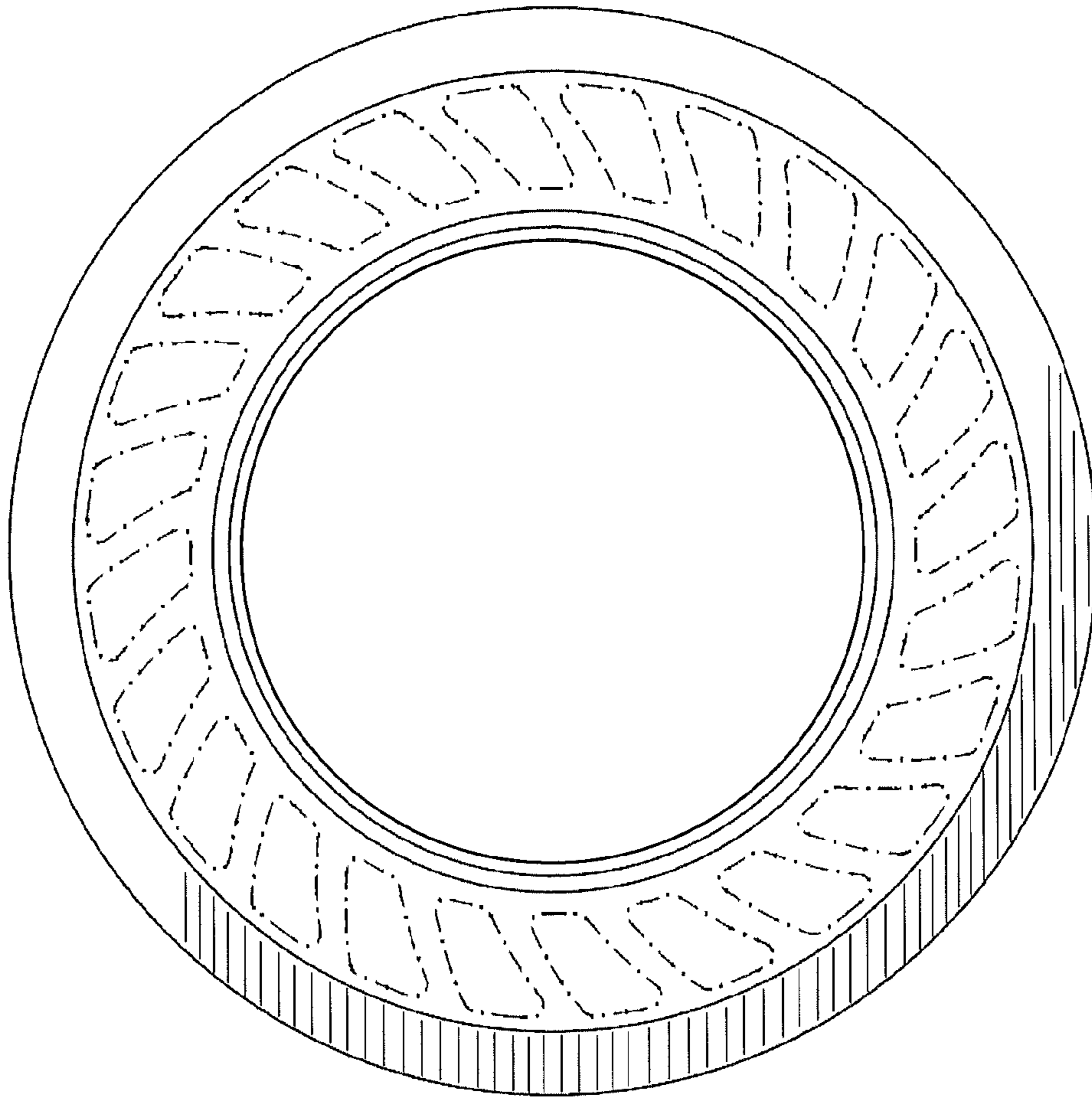


FIG. 3

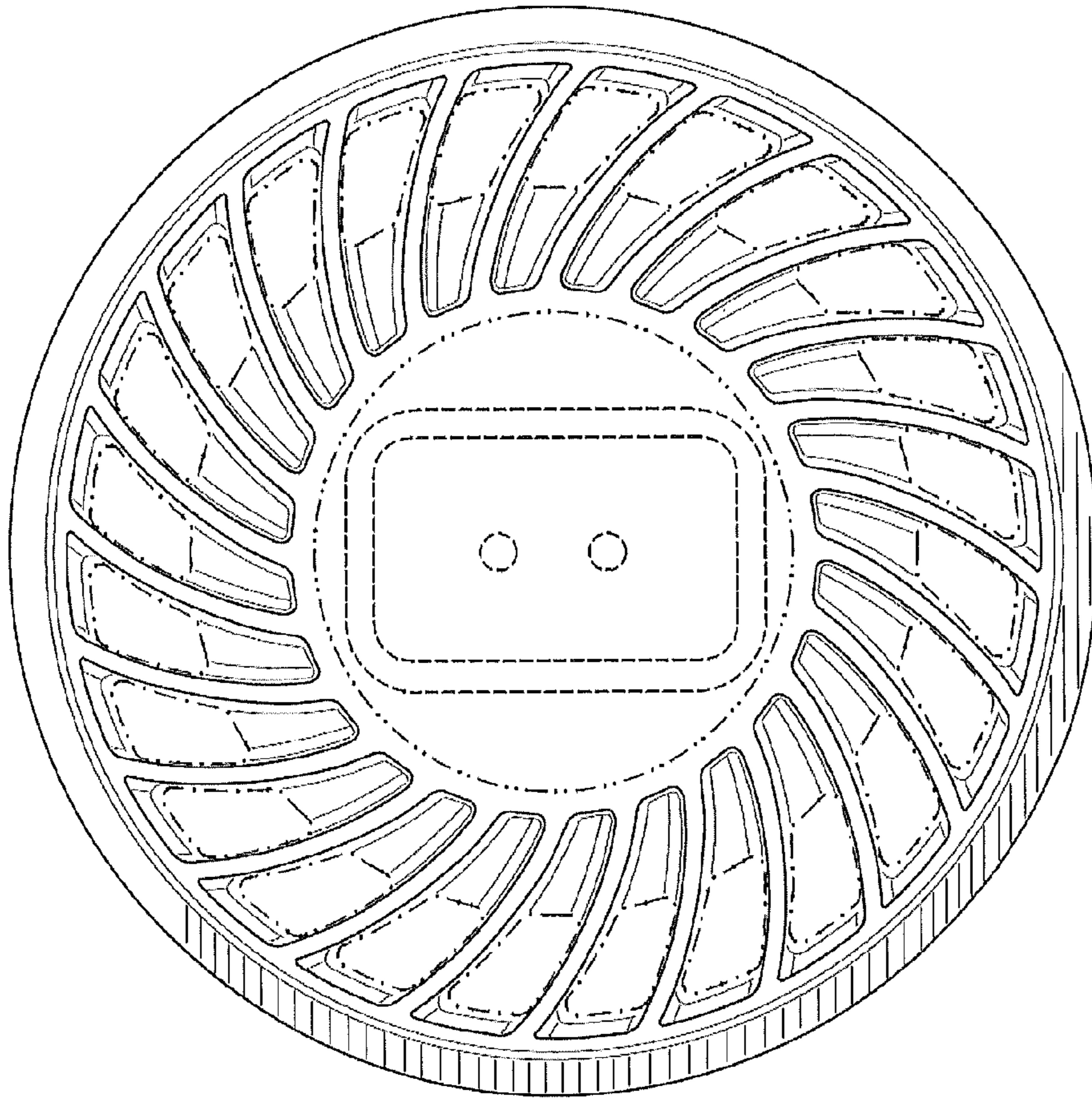


FIG. 4

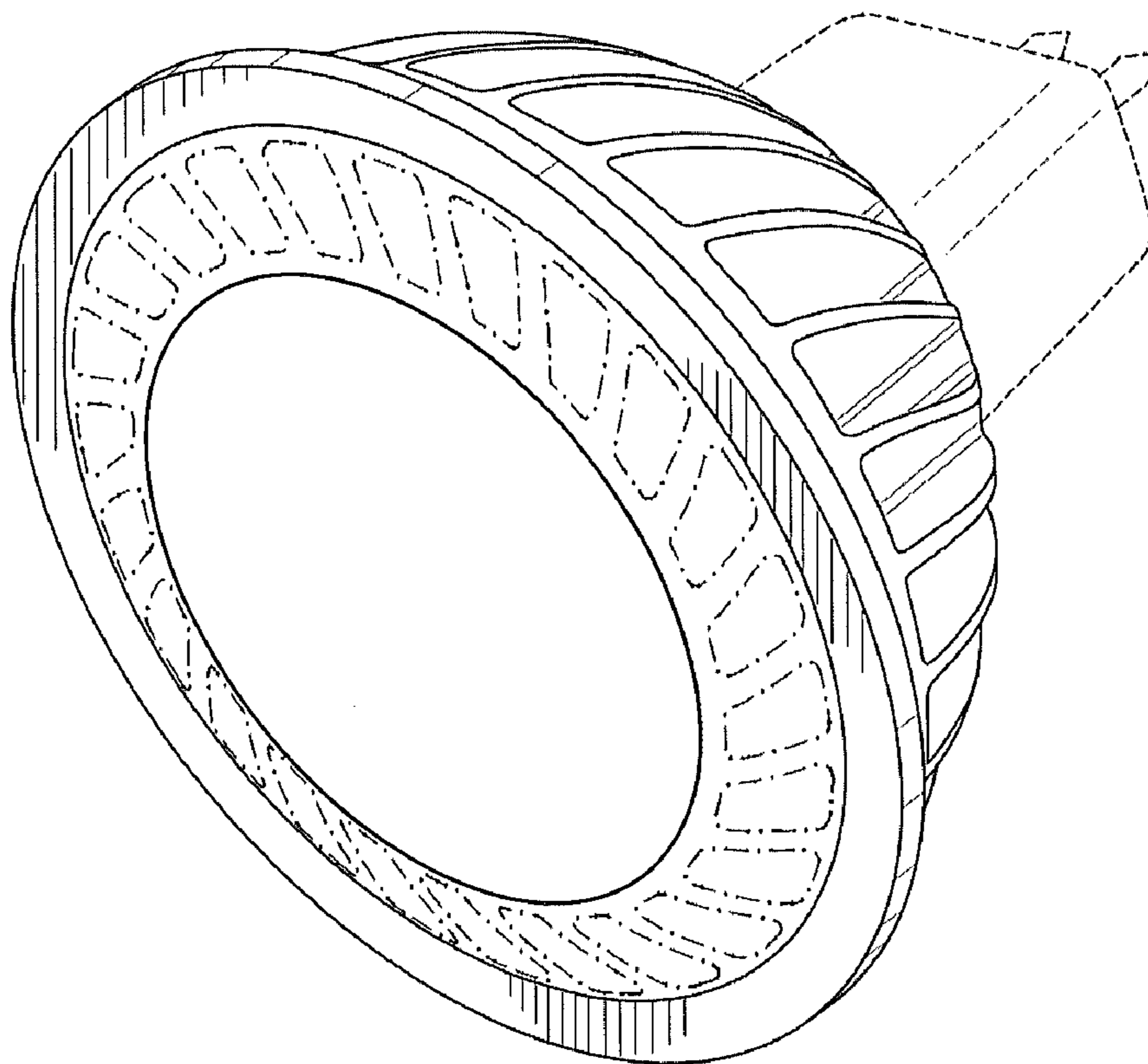


FIG. 5