



US00D674922S

(12) **United States Design Patent**
Huang et al.

(10) **Patent No.:** **US D674,922 S**
(45) **Date of Patent:** **** Jan. 22, 2013**

(54) **LED LAMP**

(75) Inventors: **Chun-Chiang Huang**, New Taipei (TW); **Hsuan-Hsien Lee**, New Taipei (TW)

(73) Assignee: **Edison Opto Corporation**, New Taipei (TW)

(**) Term: **14 Years**

(21) Appl. No.: **29/392,593**

(22) Filed: **May 24, 2011**

(51) **LOC (9) Cl.** **26-04**

(52) **U.S. Cl.** **D26/2**

(58) **Field of Classification Search** D26/1-4;
313/313, 315, 316, 317, 318, 493; 315/52,
315/53, 56, 57, 58

See application file for complete search history.

(56) **References Cited**

U.S. PATENT DOCUMENTS

D508,575 S *	8/2005	Buschmann et al.	D26/2
D528,227 S *	9/2006	Chou et al.	D26/2
D531,741 S *	11/2006	Takahashi	D26/2

D534,665 S *	1/2007	Egawa et al.	D26/2
D538,953 S *	3/2007	Mama	D26/2
D615,220 S *	5/2010	Crane et al.	D26/2
D617,915 S *	6/2010	Wada et al.	D26/2
D634,031 S *	3/2011	de Visser et al.	D26/2
D634,451 S *	3/2011	de Visser	D26/2
D651,327 S *	12/2011	Hsiao et al.	D26/2

* cited by examiner

Primary Examiner — Marcus Jackson

(74) *Attorney, Agent, or Firm* — Huffman Law Group, P.C.

(57) **CLAIM**

The ornamental design for a LED lamp, as shown and described.

DESCRIPTION

FIG. 1 is a perspective view of a LED lamp showing our new design;

FIG. 2 is a front view thereof;

FIG. 3 is a rear view thereof;

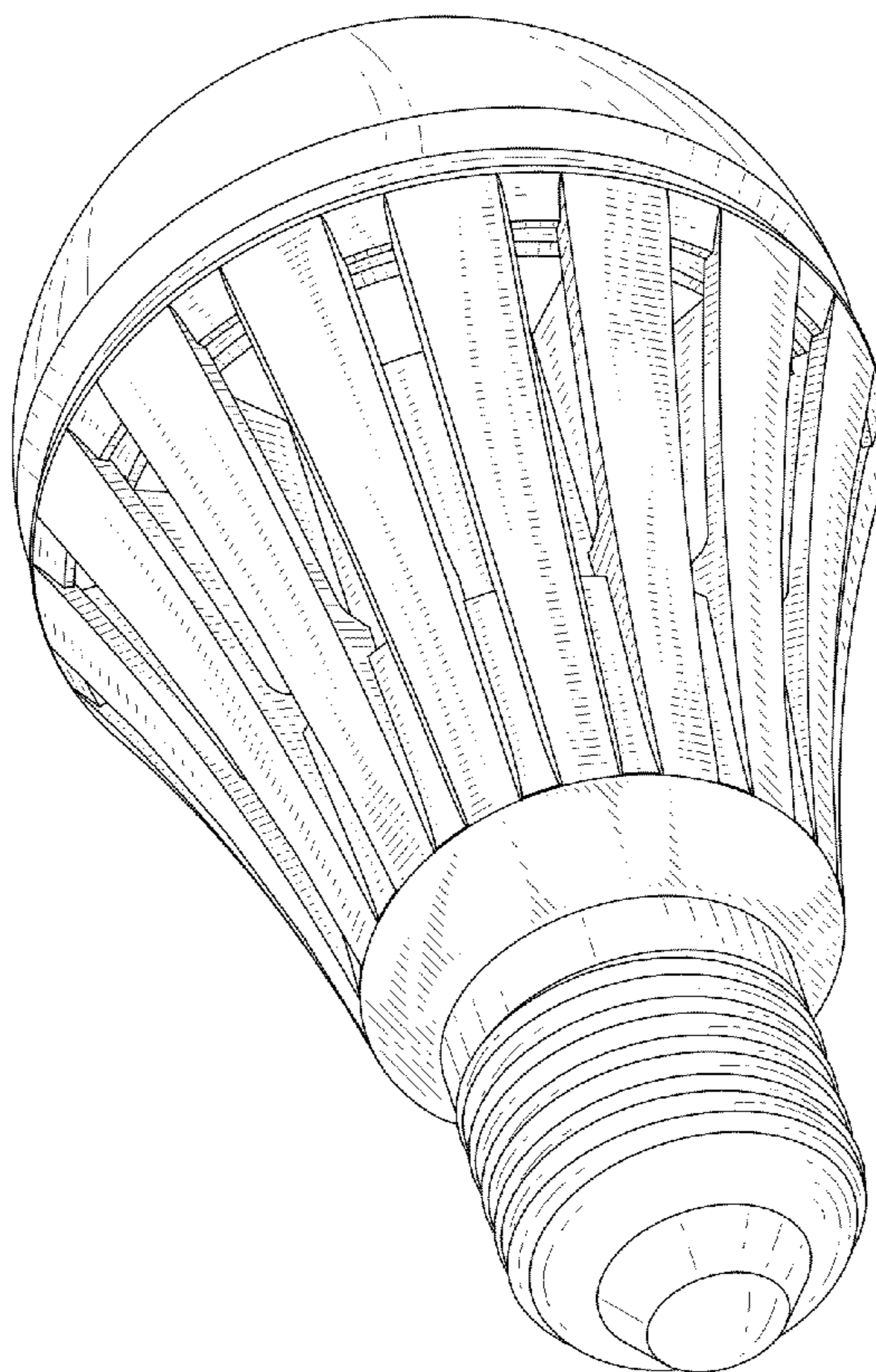
FIG. 4 is a left side view thereof;

FIG. 5 is a right side view thereof;

FIG. 6 is a top view thereof; and,

FIG. 7 is a bottom view thereof.

1 Claim, 6 Drawing Sheets



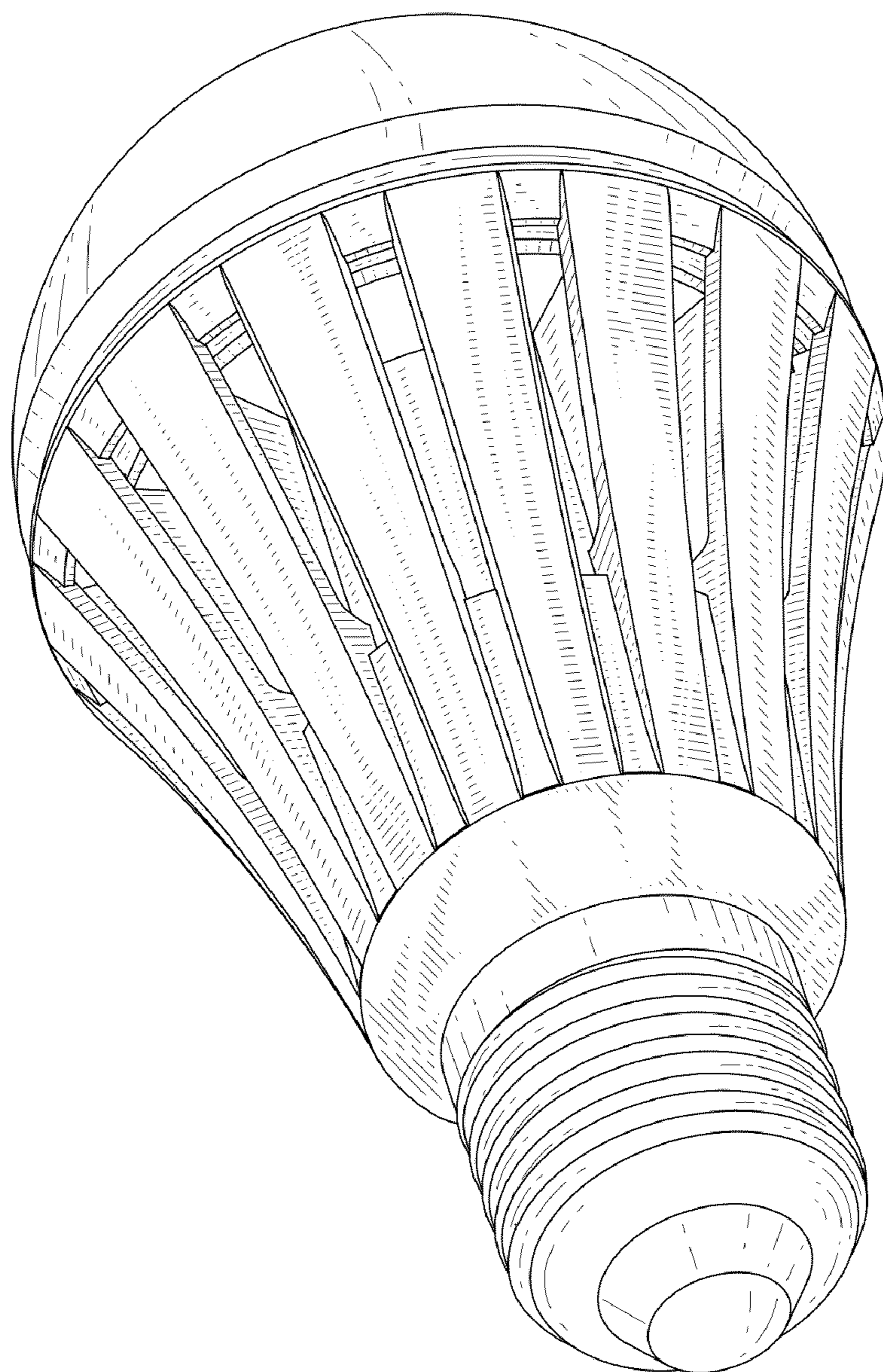


FIG. 1

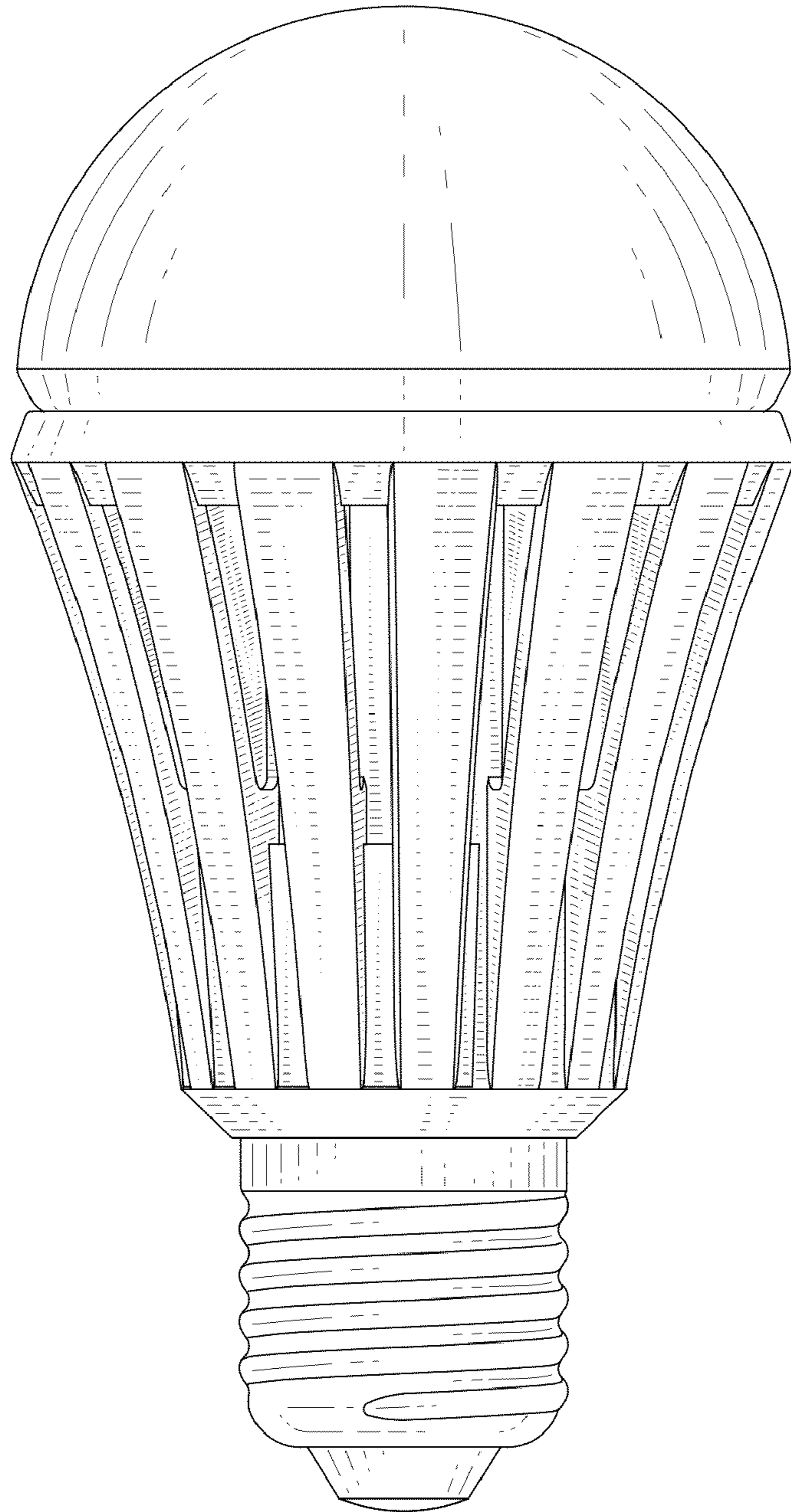


FIG. 2

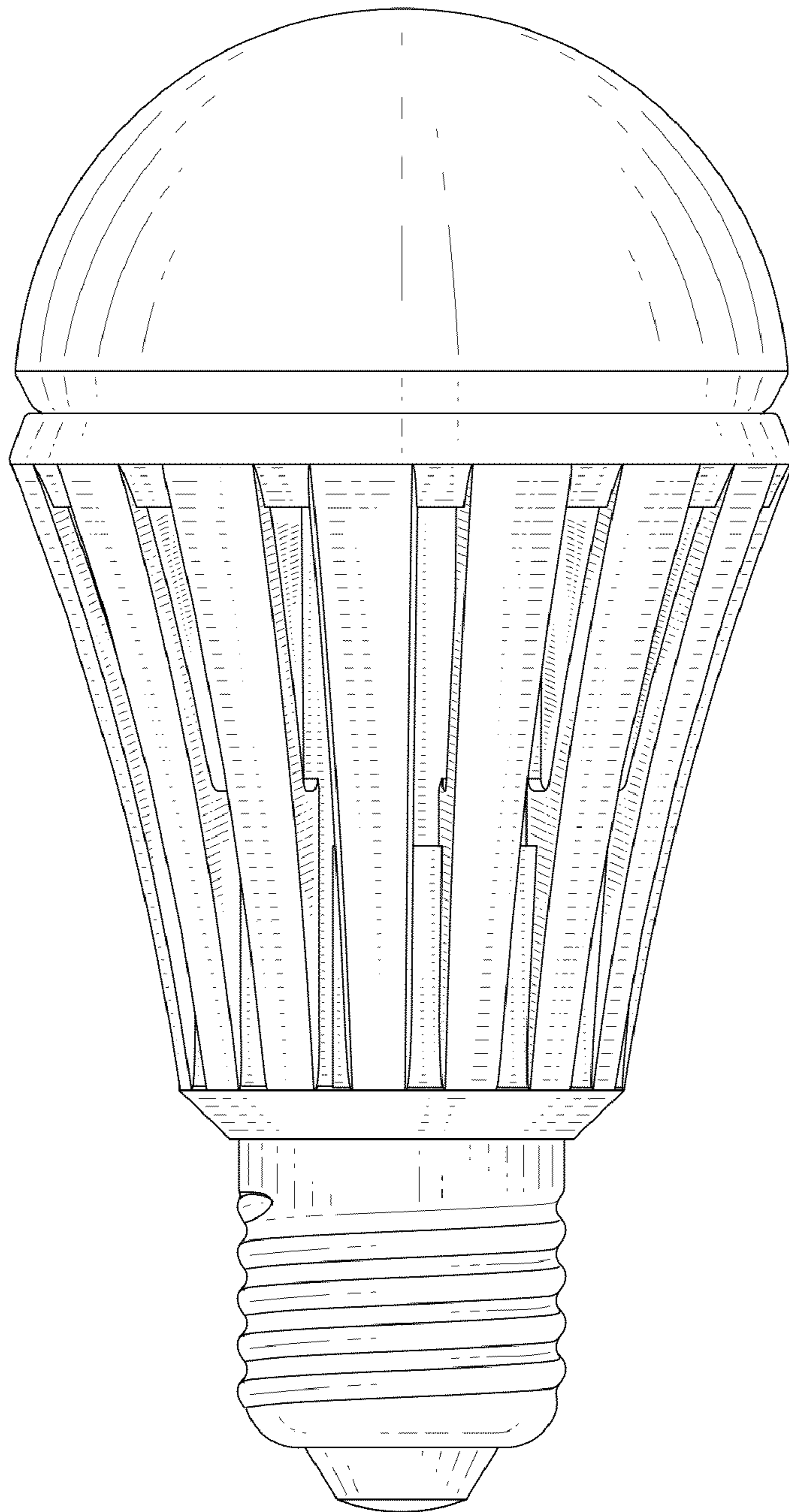


FIG. 3

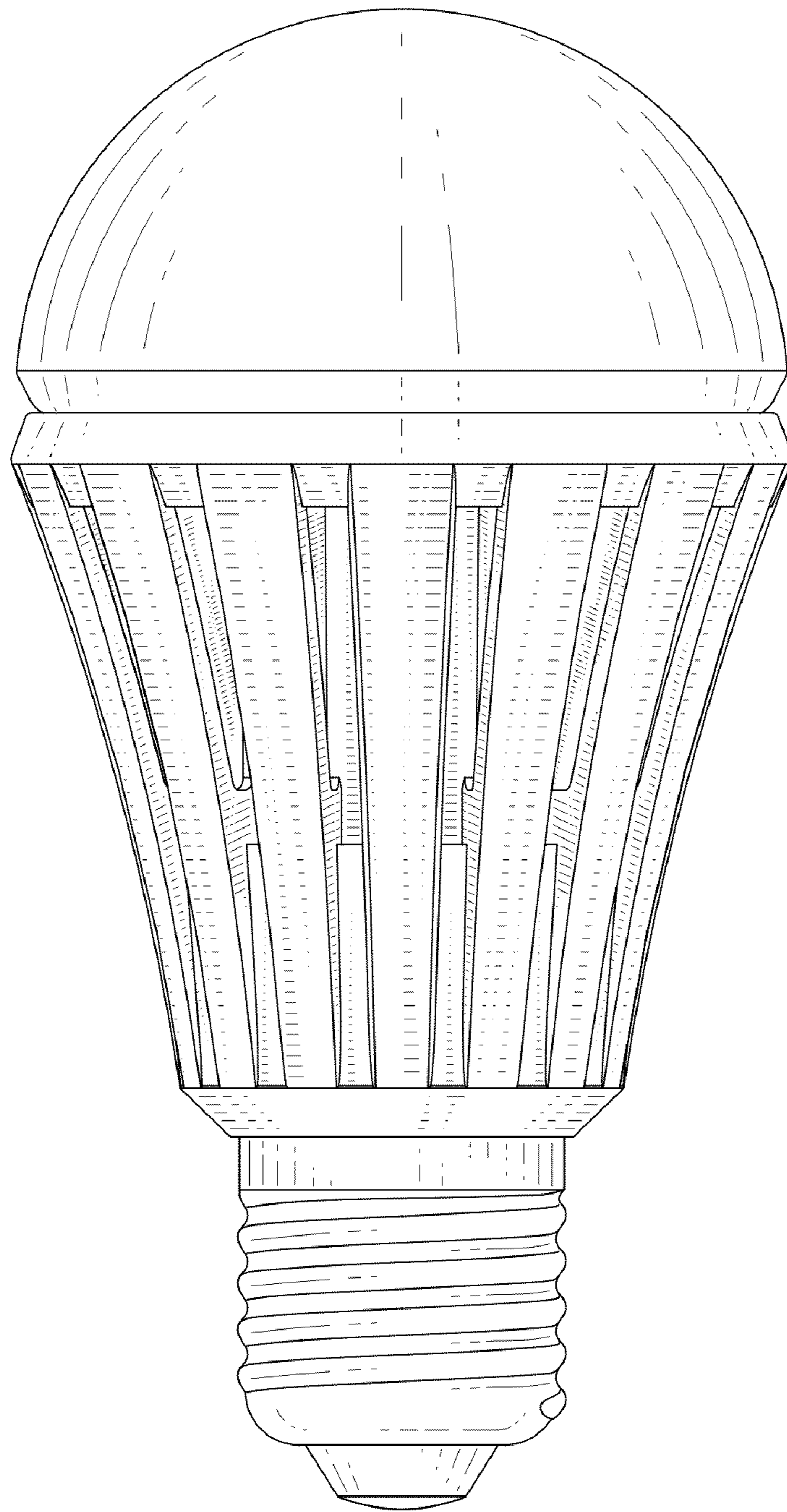


FIG. 4

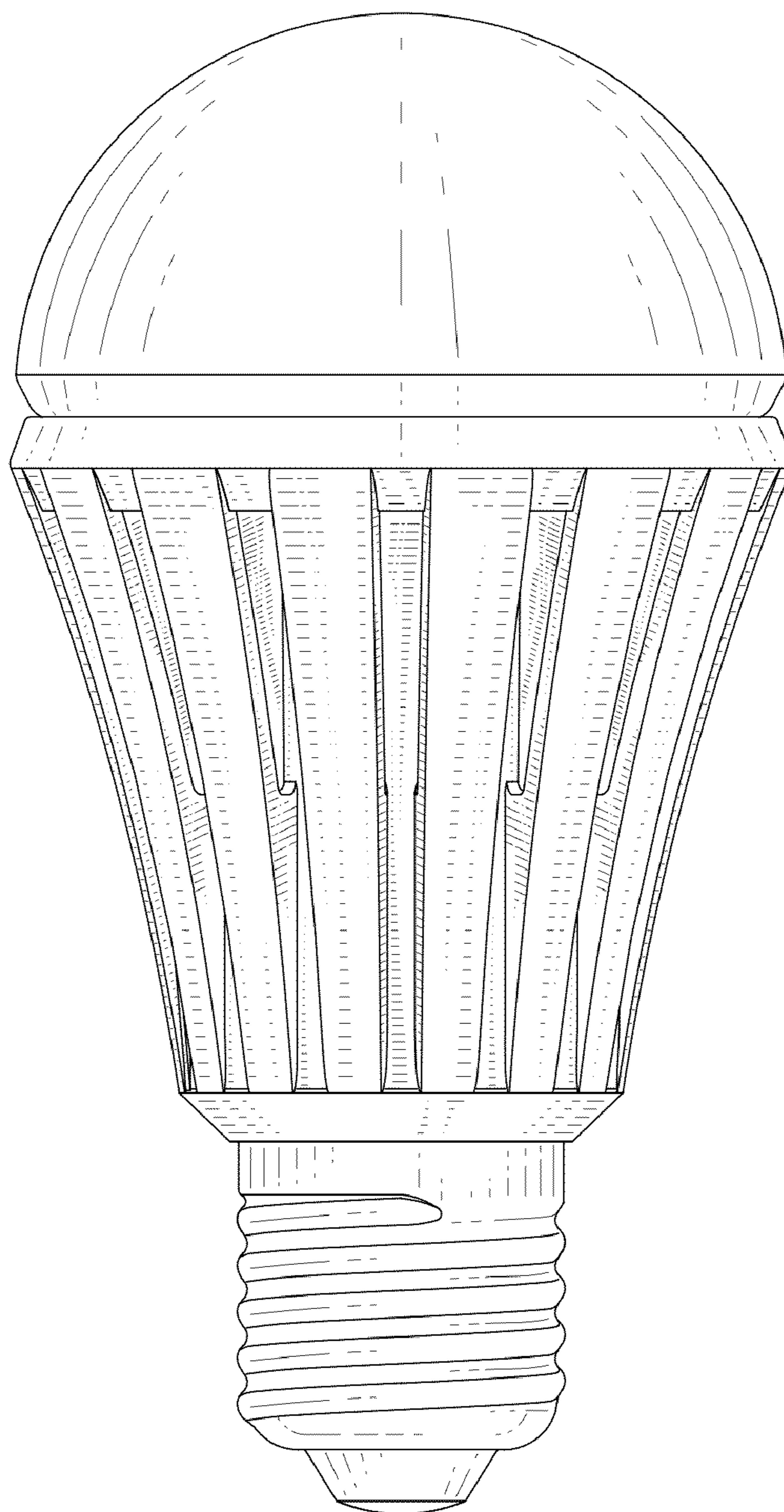


FIG. 5

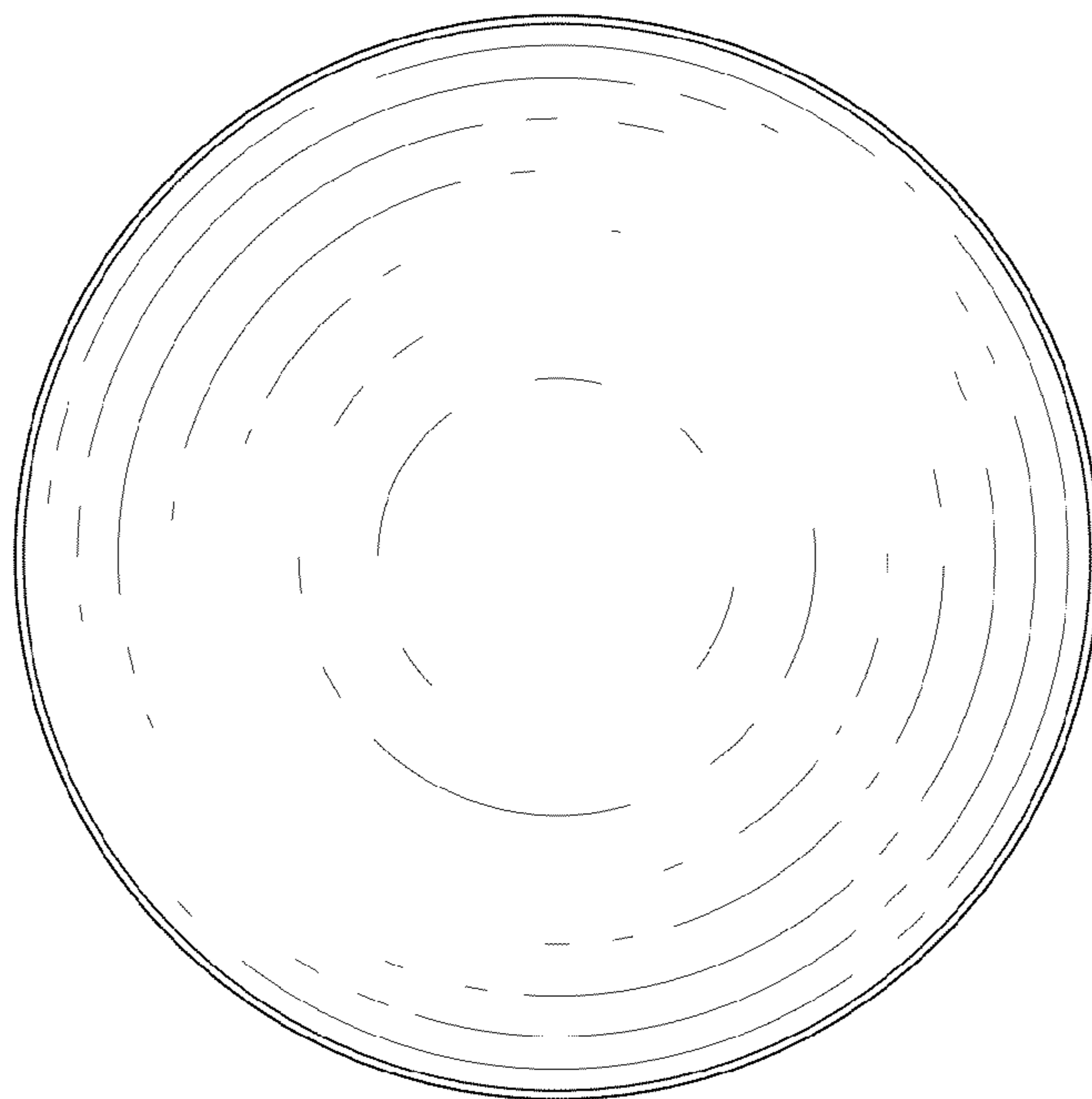


FIG. 6

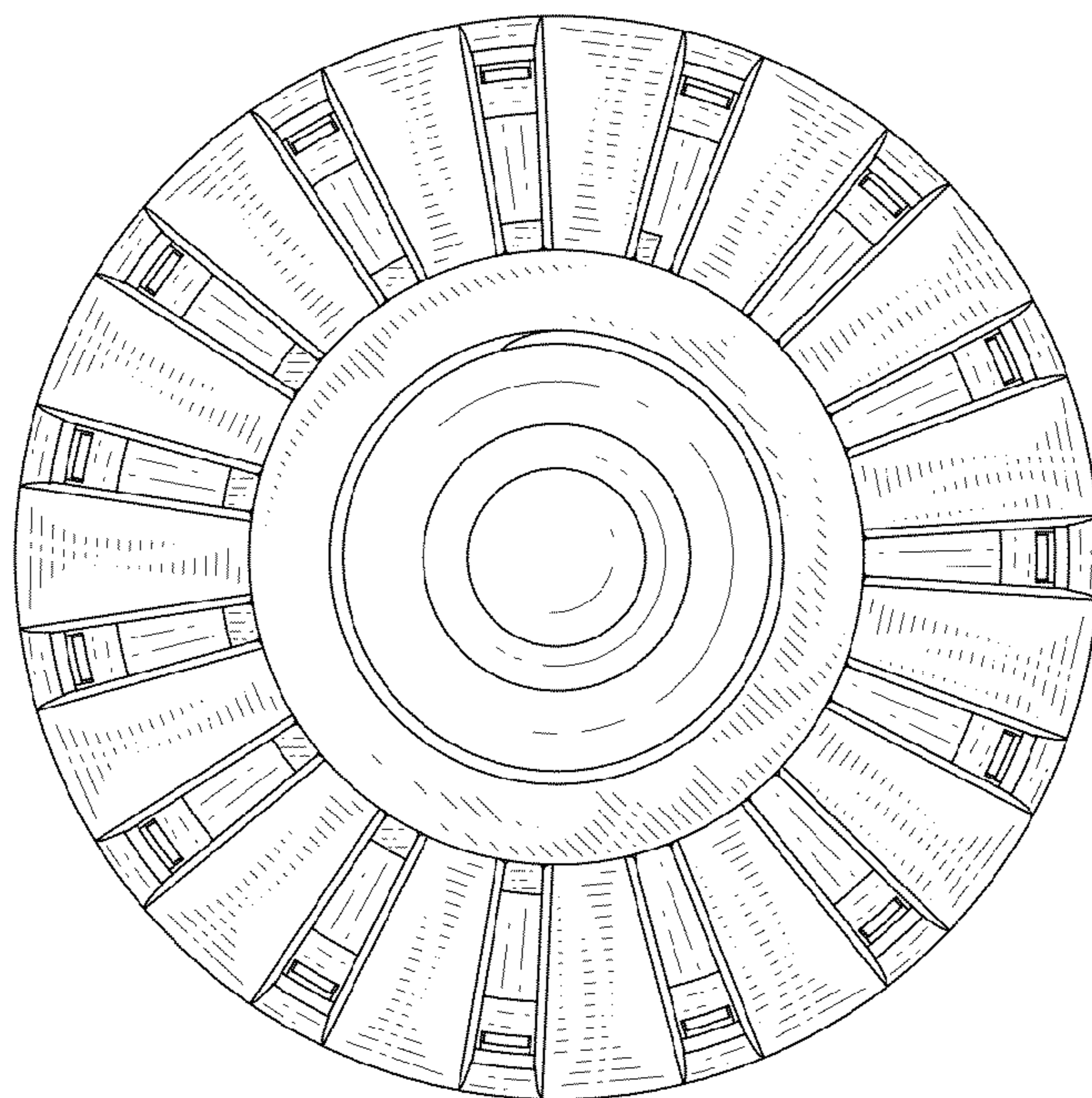


FIG. 7