



US00D674920S

(12) **United States Design Patent**  
**Buoni**

(10) **Patent No.:** **US D674,920 S**  
(45) **Date of Patent:** **\*\* Jan. 22, 2013**

(54) **TRIM KIT FOR BUILDING CONSTRUCTION**

(75) Inventor: **Wayne J. Buoni**, Johns Creek, GA (US)

(73) Assignee: **Boral Stone Products LLC**, Roswell, GA (US)

(\*\*) Term: **14 Years**

(21) Appl. No.: **29/432,128**

(22) Filed: **Sep. 13, 2012**

**Related U.S. Application Data**

(63) Continuation of application No. 29/383,427, filed on Jan. 18, 2011, now Pat. No. Des. 670,009.

(51) **LOC (9) Cl.** ..... **25-01**

(52) **U.S. Cl.** ..... **D25/151**

(58) **Field of Classification Search** ..... D25/138,

D25/151, 58; 52/262, 266, 267, 270, 272,

52/311.2, 314, 223.6, 223.7, 574, 578, 588.1,

52/605, 800.1, 415, 434, 435, 169.12; 428/49

See application file for complete search history.

(56) **References Cited**

**U.S. PATENT DOCUMENTS**

D22,795 S 9/1893 Miller

(Continued)

**FOREIGN PATENT DOCUMENTS**

JP 200226926 8/2000

(Continued)

*Primary Examiner* — Doris Clark

(74) *Attorney, Agent, or Firm* — Alston & Bird LLP

(57) **CLAIM**

I claim the ornamental design for a trim kit for building construction, as shown and described.

**DESCRIPTION**

FIG. 1 is a front perspective view of a trim kit for building construction according to a first embodiment of the present design;

FIG. 2 is a front elevation view of the trim kit for building construction shown in FIG. 1;

FIG. 3 is a top plan view of the trim kit for building construction shown in FIG. 1;

FIG. 4 is a bottom plan view of the trim kit for building construction shown in FIG. 1;

FIG. 5 is a right end elevation view of the trim kit for building construction shown in FIG. 1;

FIG. 6 is a left end elevation view of the trim kit for building construction shown in FIG. 1;

FIG. 7 is a front perspective view of a trim kit for building construction according to a second embodiment of the present design;

FIG. 8 is a front elevation view of the trim kit for building construction shown in FIG. 7;

FIG. 9 is a top plan view of the trim kit for building construction shown in FIG. 7;

FIG. 10 is a bottom plan view of the trim kit for building construction shown in FIG. 7;

FIG. 11 is a right end elevation view of the trim kit for building construction shown in FIG. 7;

FIG. 12 is a left end elevation view of the trim kit for building construction shown in FIG. 7;

FIG. 13 is a front perspective view of a Trim Kit for Building Construction according to a third embodiment of the present design, which is similar to the six paneled design shown in FIG. 1, but is different only in that it includes five panels;

FIG. 14 is a front perspective view of a trim kit for building construction according to a fourth embodiment of the present design, which is similar to the six paneled design shown in FIG. 7, but is different only in that it includes five panels;

FIG. 15 is a front perspective view of a trim kit for building construction according to a fifth embodiment of the present design, which is similar to the six paneled design shown in FIG. 1, but is different only in that it includes four panels;

FIG. 16 is a front perspective view of a trim kit for building construction according to a sixth embodiment of the present design, which is similar to the six paneled design shown in FIG. 7, but is different only in that it includes four panels;

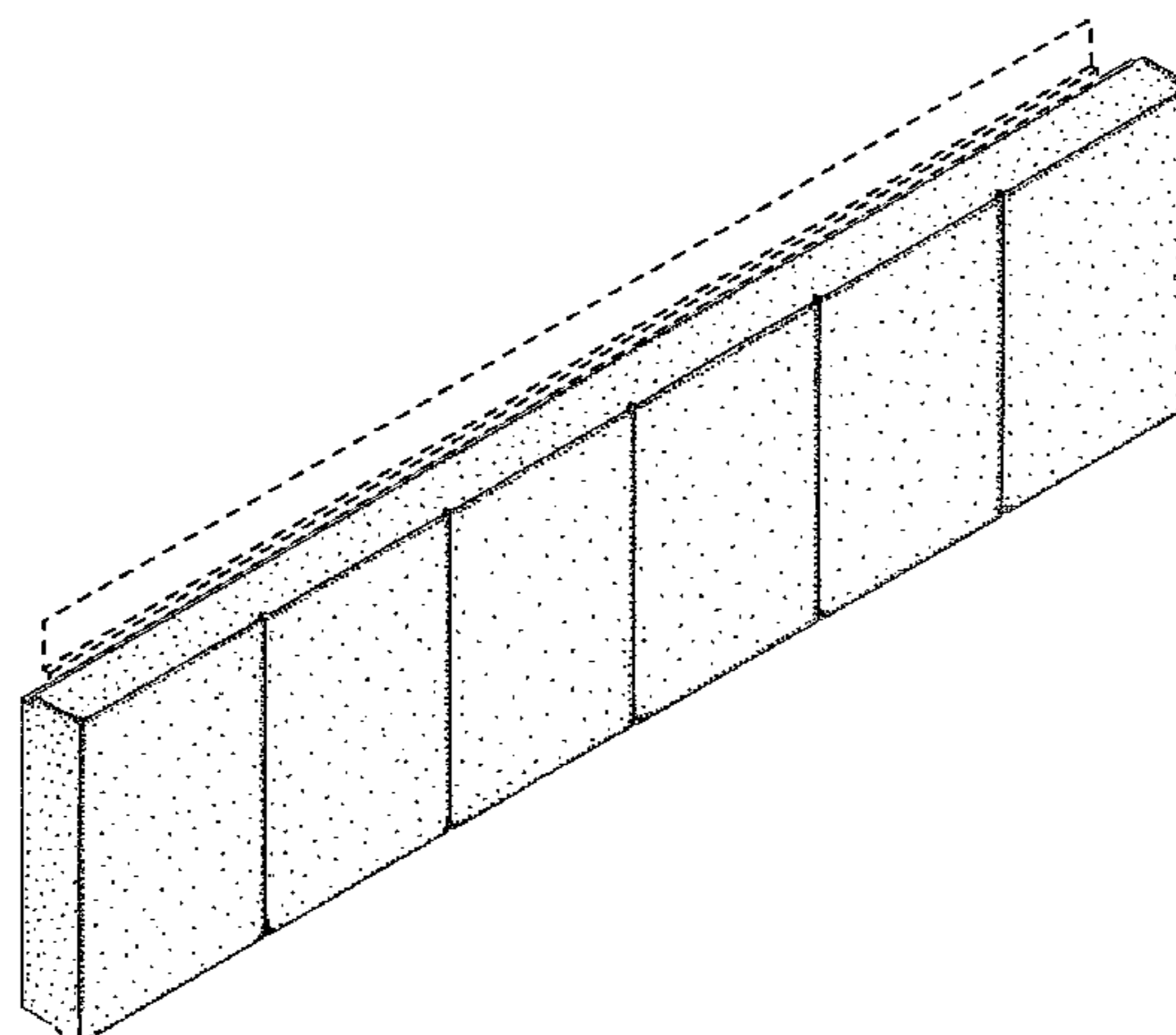
FIG. 17 is a front perspective view of a trim kit for building construction according to a seventh embodiment of the present design, which is similar to the six paneled design shown in FIG. 1, but is different only in that it includes three panels; and,

FIG. 18 is a front perspective view of a trim kit for building construction according to an eighth embodiment of the present design, which is similar to the six paneled design shown in FIG. 7, but is different only in that it includes three panels.

The stippling in FIGS. 1-6, 13, 15, and 17 is provided to illustrate textured surfaces, while FIGS. 7-12, 14, 16, and 18 contain no stippling.

The broken lines are for illustrative purposes only and form no part of the claimed design.

**1 Claim, 12 Drawing Sheets**



# US D674,920 S

U.S. PATENT DOCUMENTS						
897,353	A	9/1908	Culley	6,253,515	B1 7/2001	Kuelker
1,276,894	A	8/1918	Flanders	6,315,489	B1 11/2001	Watanabe
1,859,539	A	5/1932	Slidell	6,324,807	B1 12/2001	Ishiko
1,872,522	A	8/1932	Stuckey	6,355,193	B1 3/2002	Stott
2,115,172	A	4/1938	Kirschbraun	6,467,229	B2 10/2002	Azar
2,182,523	A	12/1939	Markowski et al.	6,516,578	B1 2/2003	Hunsaker
2,241,898	A	5/1941	Bawtenheimer	6,701,683	B2 3/2004	Messenger et al.
2,317,428	A	4/1943	Anderson	6,729,090	B2 5/2004	Messenger et al.
2,884,780	A	5/1959	Ramirez	6,792,727	B2 9/2004	Krieger
3,131,514	A	5/1964	Siek	6,802,165	B1 10/2004	Passeno
3,142,938	A	8/1964	Eberhardt	6,830,405	B2 12/2004	Watanabe
3,217,453	A	11/1965	Medow	6,898,908	B2 5/2005	Messenger et al.
3,350,827	A	11/1967	Sugar et al.	6,904,780	B2 6/2005	Bullinger et al.
3,518,799	A *	7/1970	Bachner ..... 52/309.1	D510,146	S 9/2005	Attebery, II et al.
3,524,790	A	8/1970	Mason	6,951,086	B2 10/2005	Passeno
3,613,326	A	10/1971	Mollman	6,968,659	B2 11/2005	Boyer
3,646,715	A	3/1972	Pope	6,973,756	B2 12/2005	Hatzinikolas
3,754,365	A	8/1973	Carrick et al.	6,990,778	B2 1/2006	Passeno
3,868,801	A	3/1975	Weiner	RE39,091	E 5/2006	Kuelker
3,899,344	A	8/1975	Jakel	7,096,629	B1 8/2006	Cox
3,905,170	A	9/1975	Huettemann	D618,367	S * 6/2010	Schwarz et al. .... D25/151
3,968,610	A	7/1976	Medow	D621,530	S 8/2010	Sawyer
4,191,521	A	3/1980	Muldery et al.	D621,967	S 8/2010	King
4,241,554	A	12/1980	Infantino	D622,419	S * 8/2010	King ..... D25/151
4,299,069	A	11/1981	Neumann	2003/0066259	A1 4/2003	Sudweeks
4,349,588	A	9/1982	Schiffer	2004/0006943	A1 1/2004	Weick
4,407,104	A	10/1983	Francis	2005/0005556	A1 1/2005	Collier et al.
4,553,366	A	11/1985	Guerin	2005/0204666	A1 9/2005	Passeno
4,589,241	A	5/1986	Volpenhein	2005/0210811	A1 9/2005	Nasvik
4,638,617	A	1/1987	James	2005/0252144	A1 11/2005	MacDonald et al.
4,655,719	A	4/1987	Sunray	2005/0257475	A1 11/2005	Gong et al.
4,665,673	A	5/1987	Diana	2006/0053743	A1 3/2006	Hatzinikolas
4,669,238	A	6/1987	Kellis et al.	2006/0075712	A1 4/2006	Gilbert et al.
5,042,215	A	8/1991	Cremer et al.	2006/0156668	A1 7/2006	Nasvik
5,172,532	A	12/1992	Gibbar, Jr.	2006/0265988	A1 11/2006	Fujito
5,228,249	A	7/1993	Campbell	2007/0137127	A1 6/2007	Lincoln
5,271,878	A	12/1993	Mizia et al.	2007/0137128	A1 6/2007	Viau et al.
5,373,676	A	12/1994	Francis et al.	2007/0144087	A1 6/2007	Heath et al.
5,379,561	A	1/1995	Saito	2007/0151190	A1 7/2007	Huff et al.
5,398,473	A	3/1995	Chan	2007/0175159	A1 8/2007	Minitier
5,515,659	A	5/1996	MacDonald et al.	2007/0209308	A1 9/2007	Barrett
5,557,897	A	9/1996	Kranz et al.	2007/0227087	A1 10/2007	Nasr et al.
5,570,551	A	11/1996	Koc et al.	2008/0005994	A1 1/2008	Harney
5,634,305	A	6/1997	Erlanger	2008/0028711	A1 2/2008	Logan et al.
5,673,529	A	10/1997	Treister et al.	2008/0110116	A1 5/2008	Brown et al.
5,715,637	A	2/1998	Hesterman et al.	2008/0115435	A1 5/2008	Riviere
5,787,666	A	8/1998	Sherry	2008/0302050	A1 12/2008	Kalkanoglu
5,819,486	A	10/1998	Goodings	2008/0313988	A1 12/2008	MacDonald
5,833,895	A	11/1998	Di Loreto	2009/0056257	A1 3/2009	Mollinger et al.
5,857,303	A	1/1999	Beck et al.	2009/0094914	A1 4/2009	Jambois et al.
5,878,543	A	3/1999	Mowery	2009/0113837	A1 5/2009	Mickelson
5,966,886	A	10/1999	Di Loreto	2009/0193742	A1 8/2009	Wolf et al.
6,029,418	A	2/2000	Wright	2009/0249719	A1 10/2009	Broehl et al.
6,050,037	A	4/2000	Gifford	2009/0304459	A1 12/2009	MacDonald et al.
6,134,855	A	10/2000	Beck			
6,164,029	A	12/2000	Lee			
6,240,691	B1	6/2001	Holzkaemper et al.	JP	200297518	10/2000
6,244,009	B1	6/2001	Cerrato			
6,253,511	B1	7/2001	Boyer			

## FOREIGN PATENT DOCUMENTS

JP 200297518 10/2000

\* cited by examiner

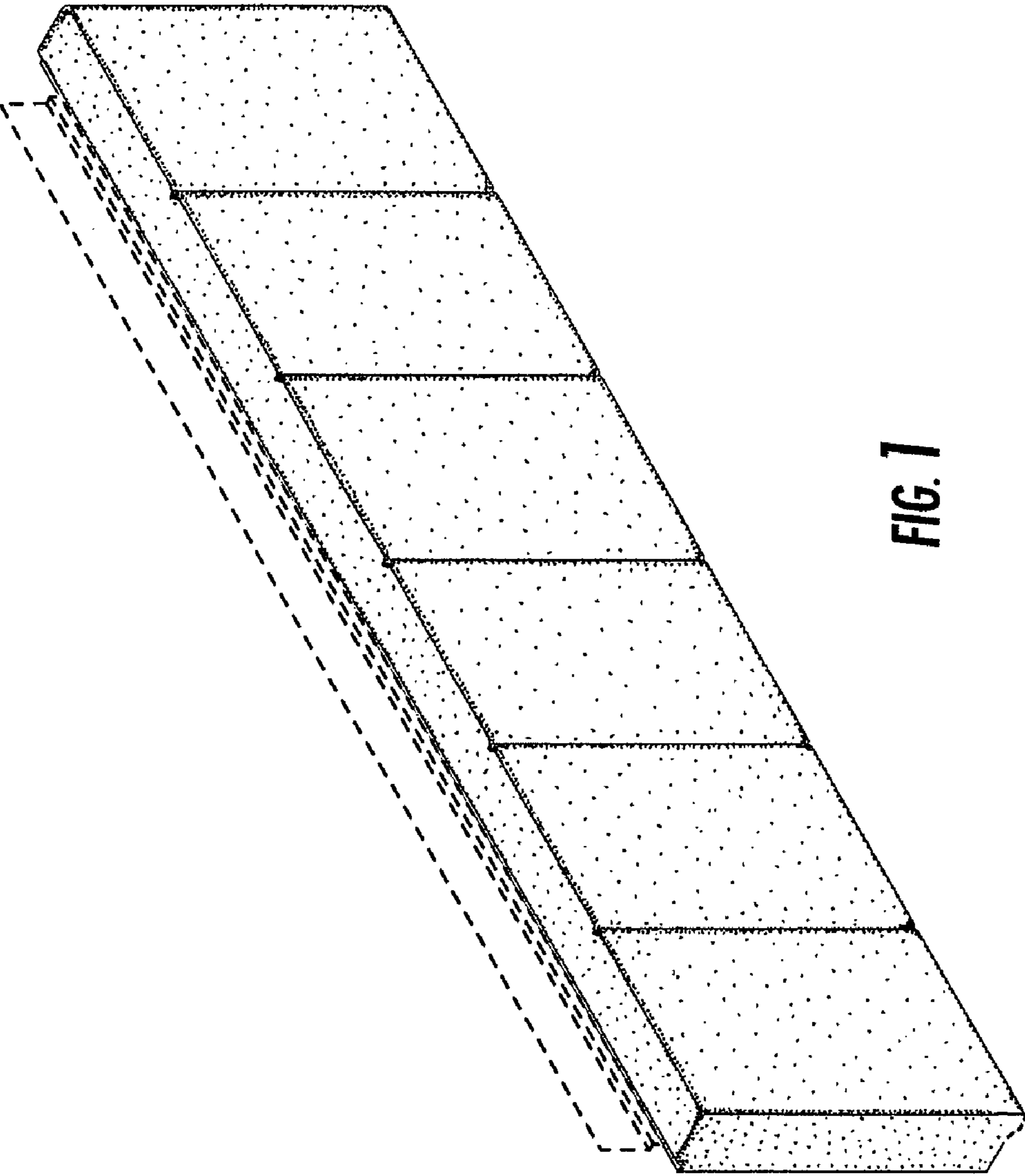


FIG. 1

FIG. 3

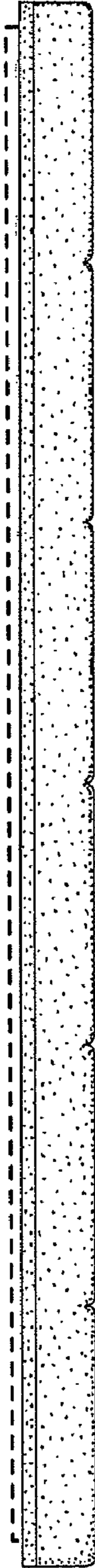


FIG. 2

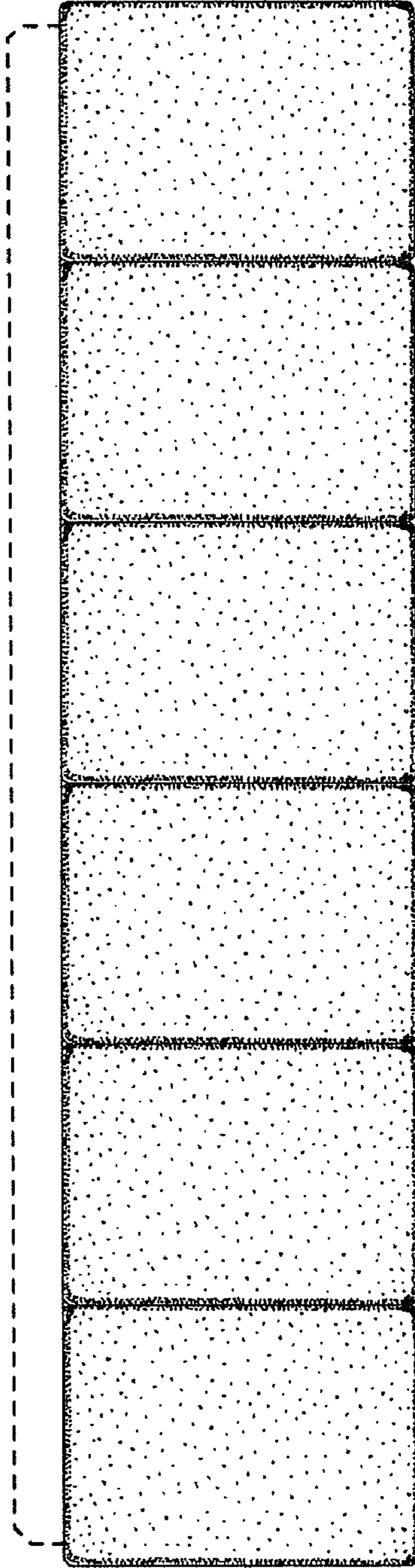
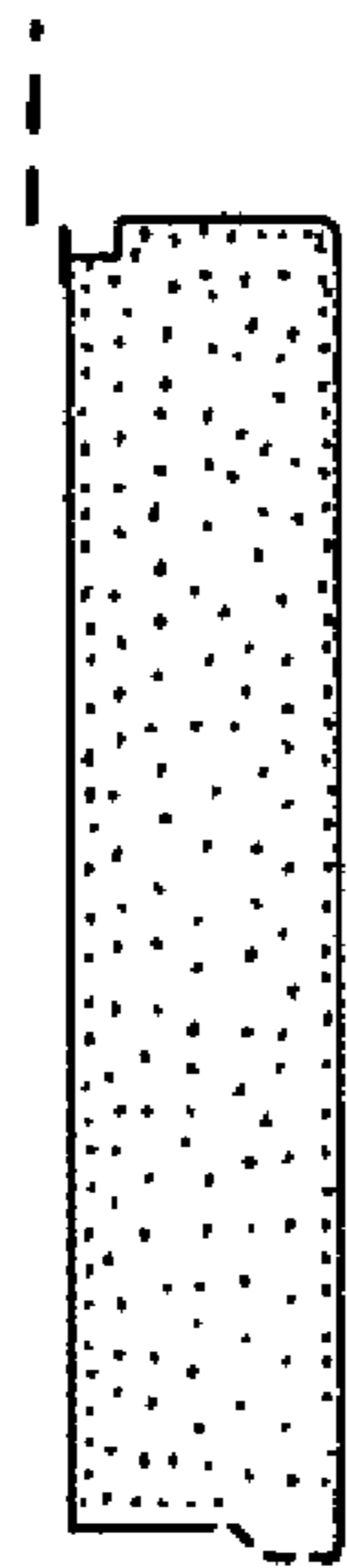


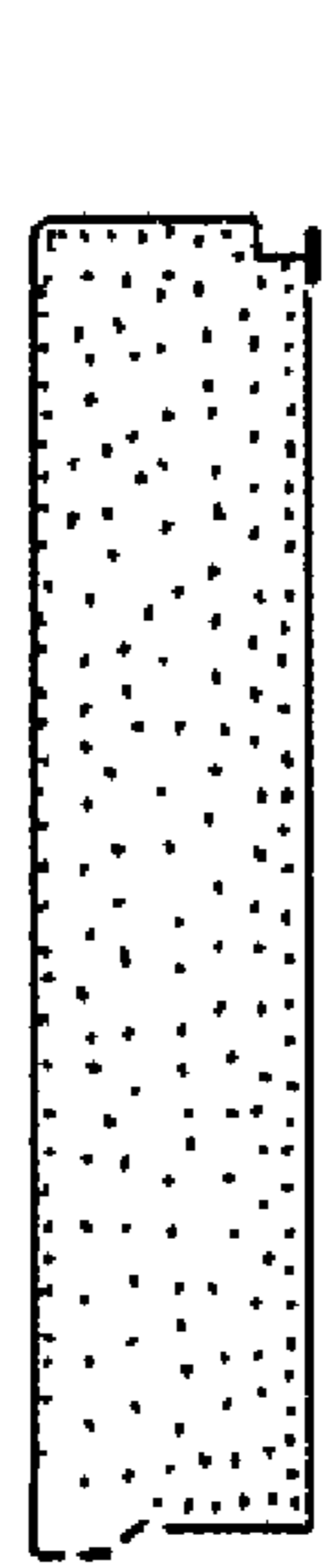
FIG. 4



**FIG. 5**



**FIG. 6**



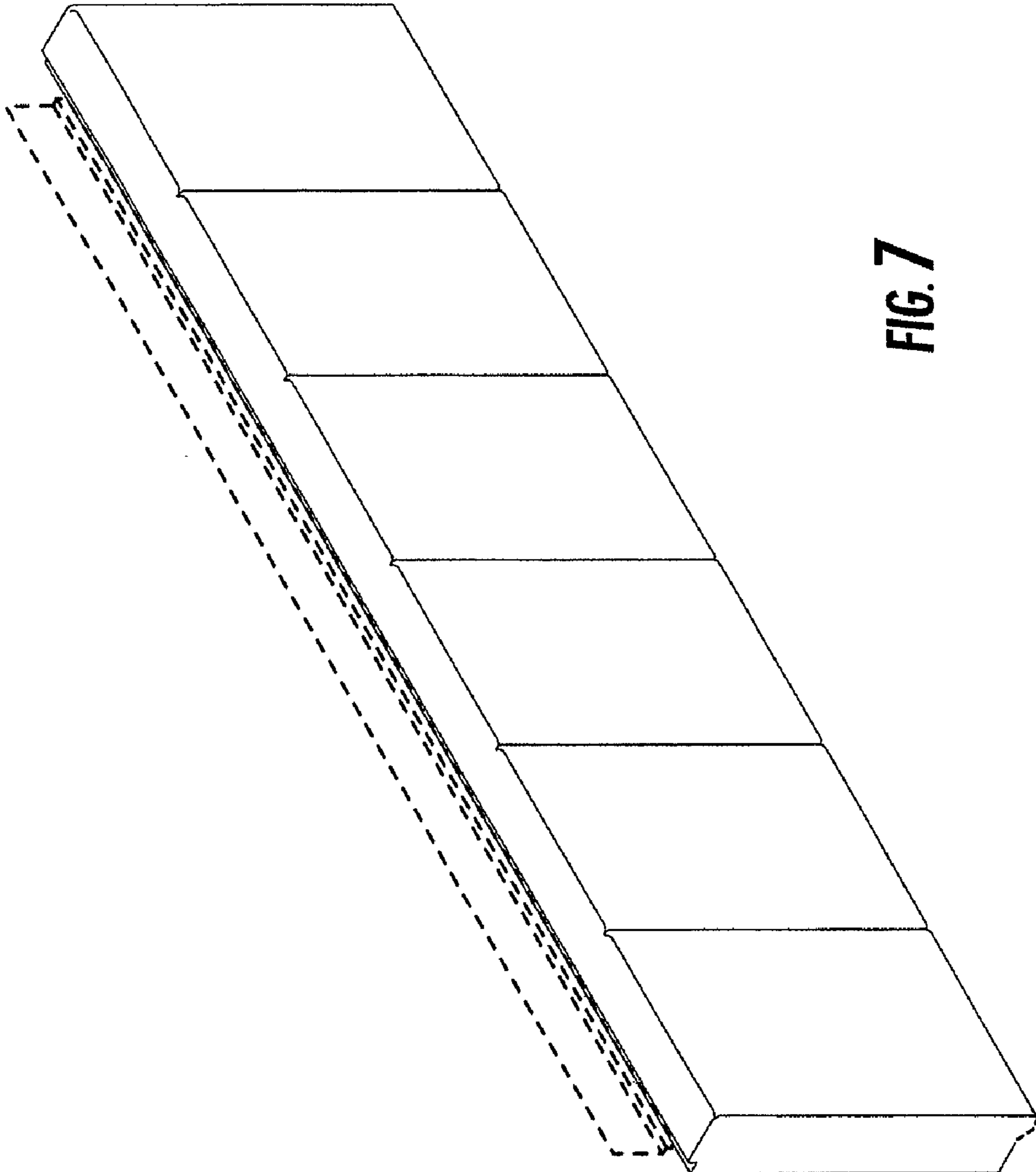
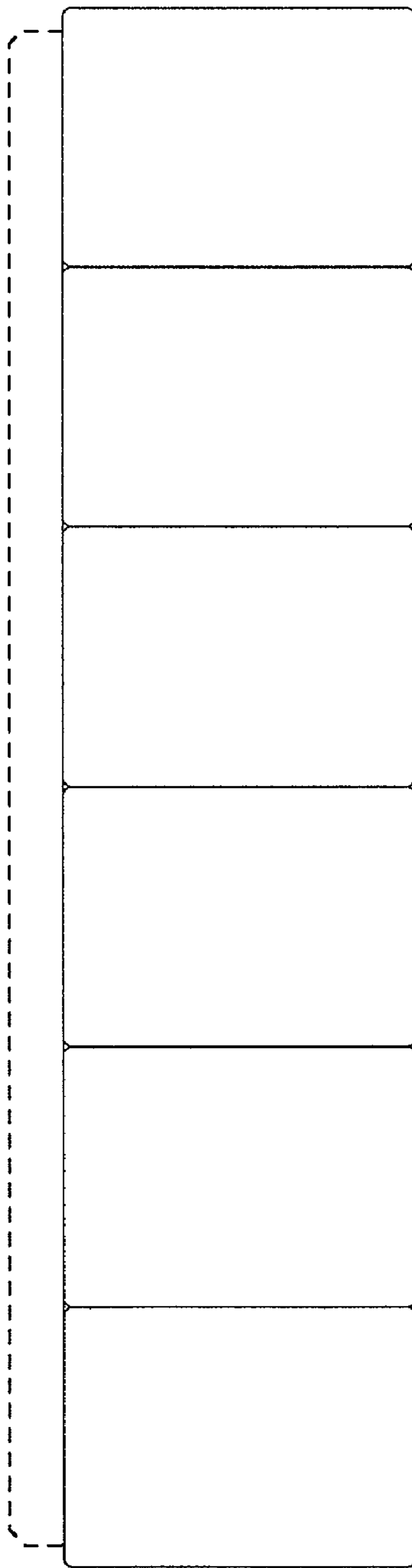


FIG. 7

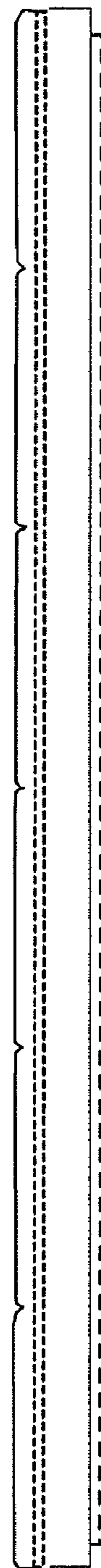
**FIG. 9**



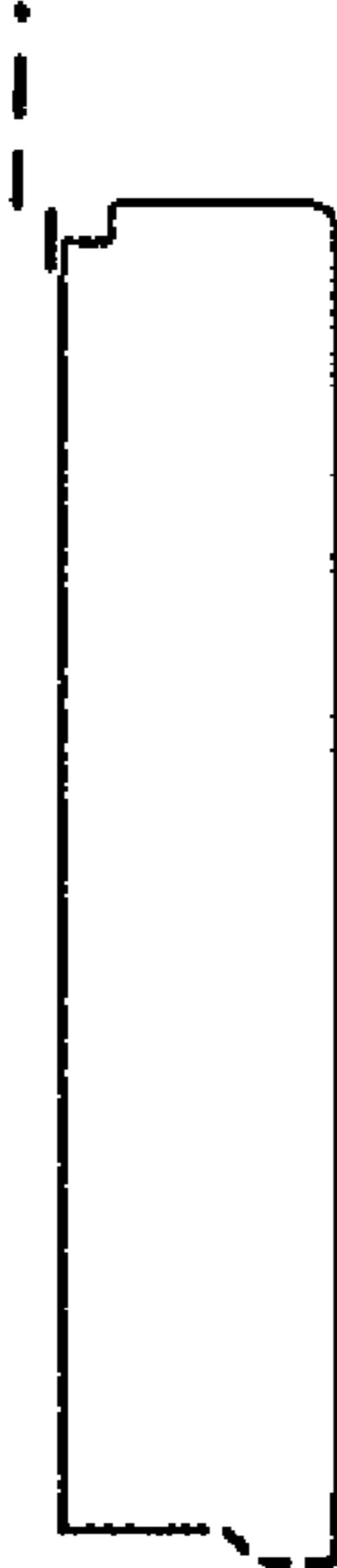
**FIG. 8**



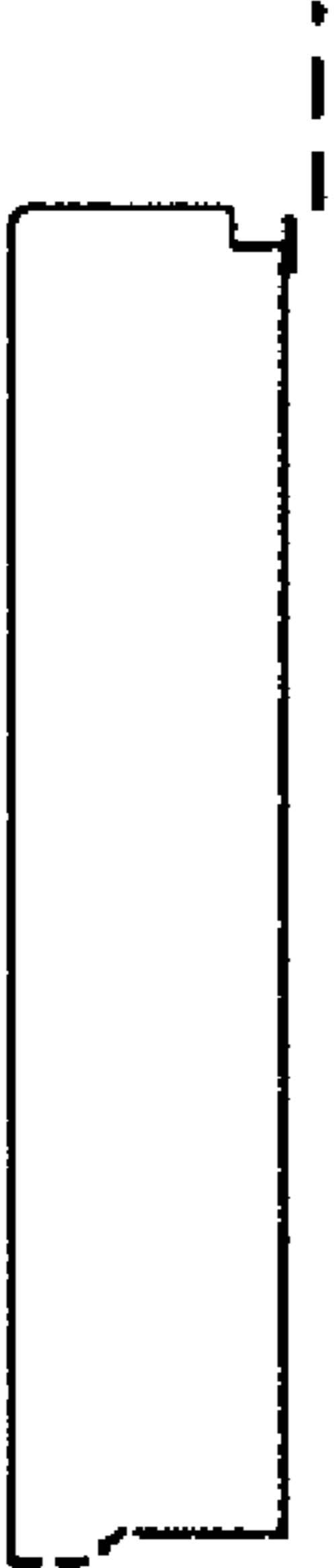
**FIG. 10**



**FIG. 11**



**FIG. 12**





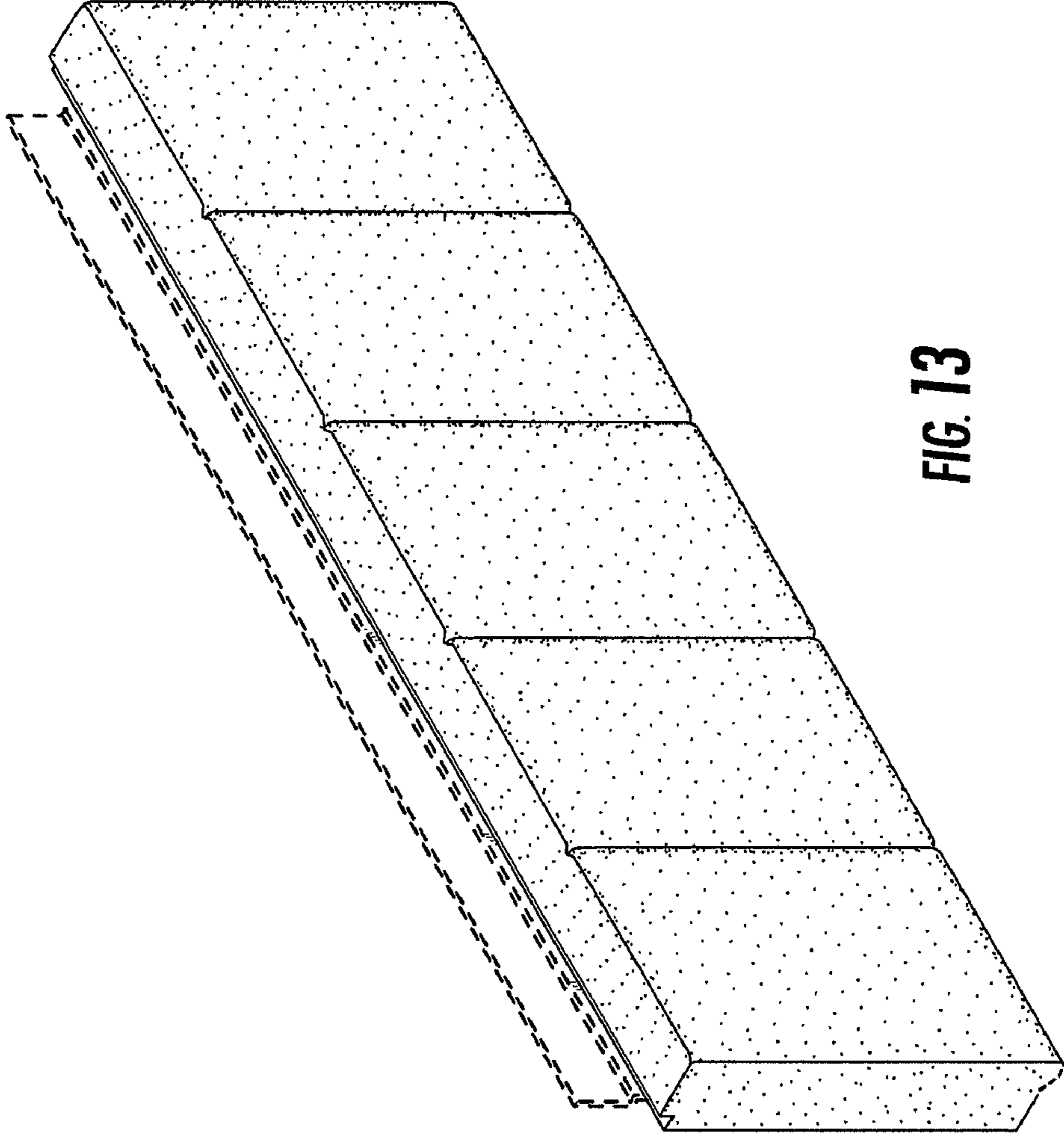


FIG. 13

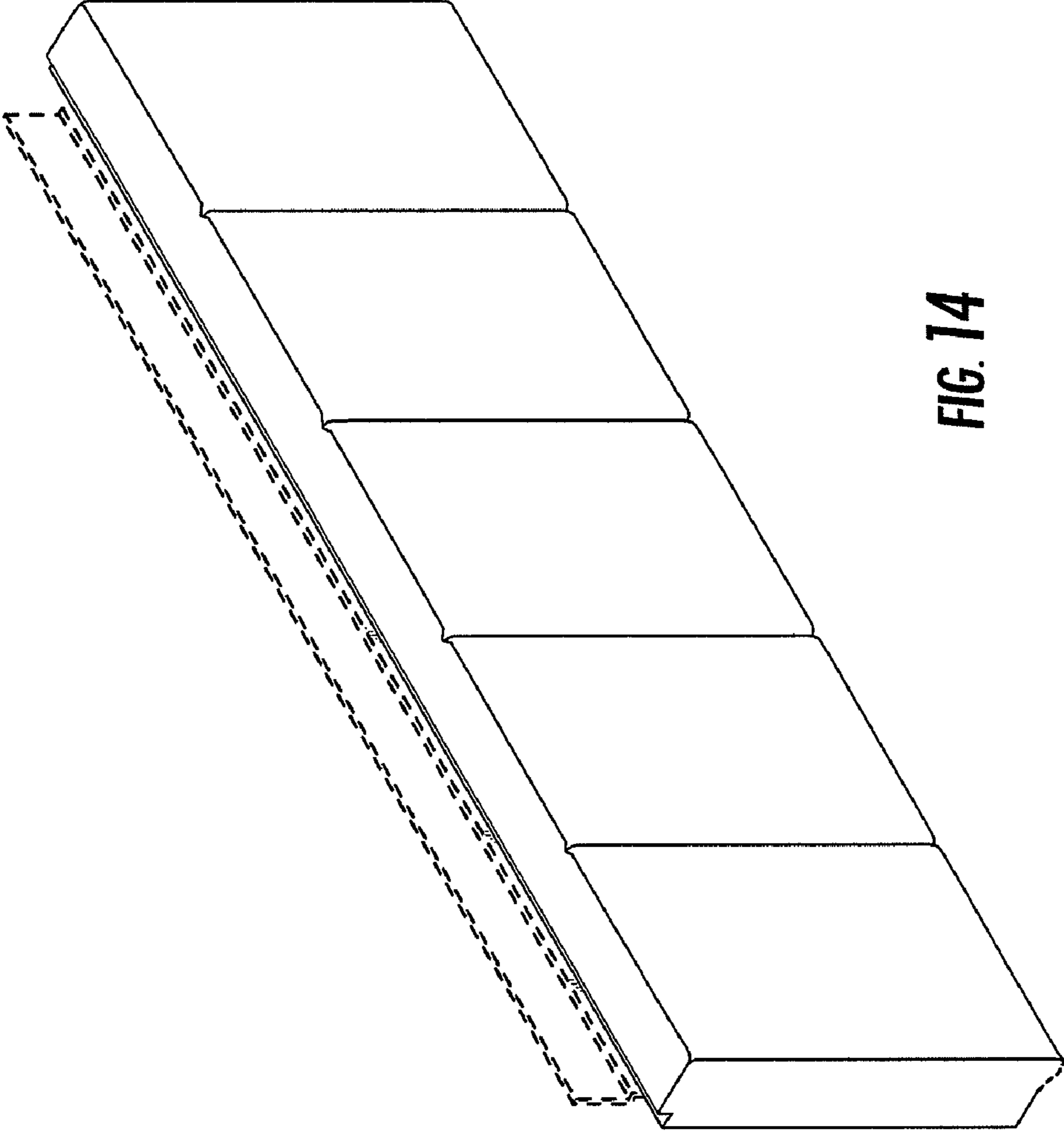
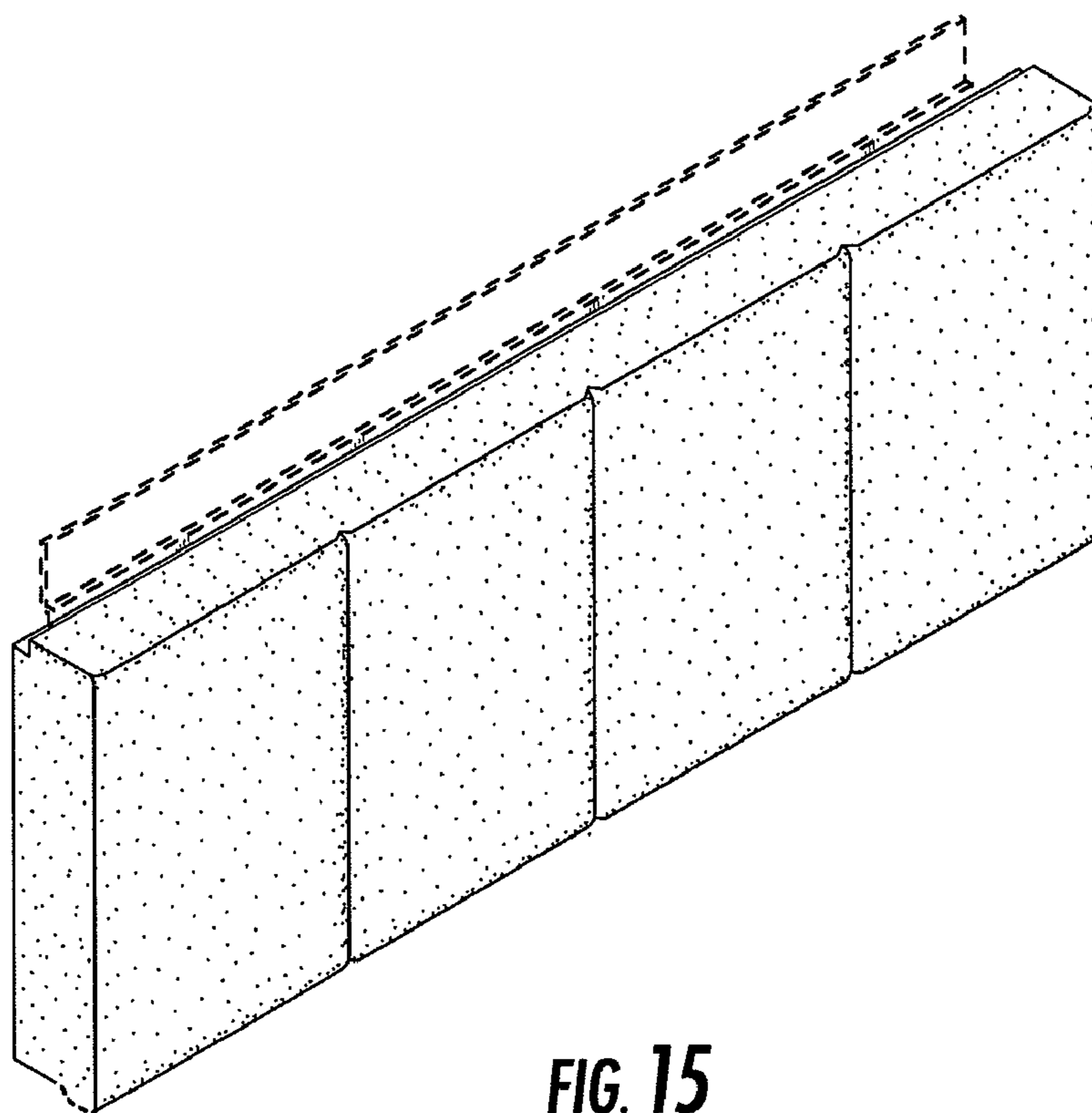
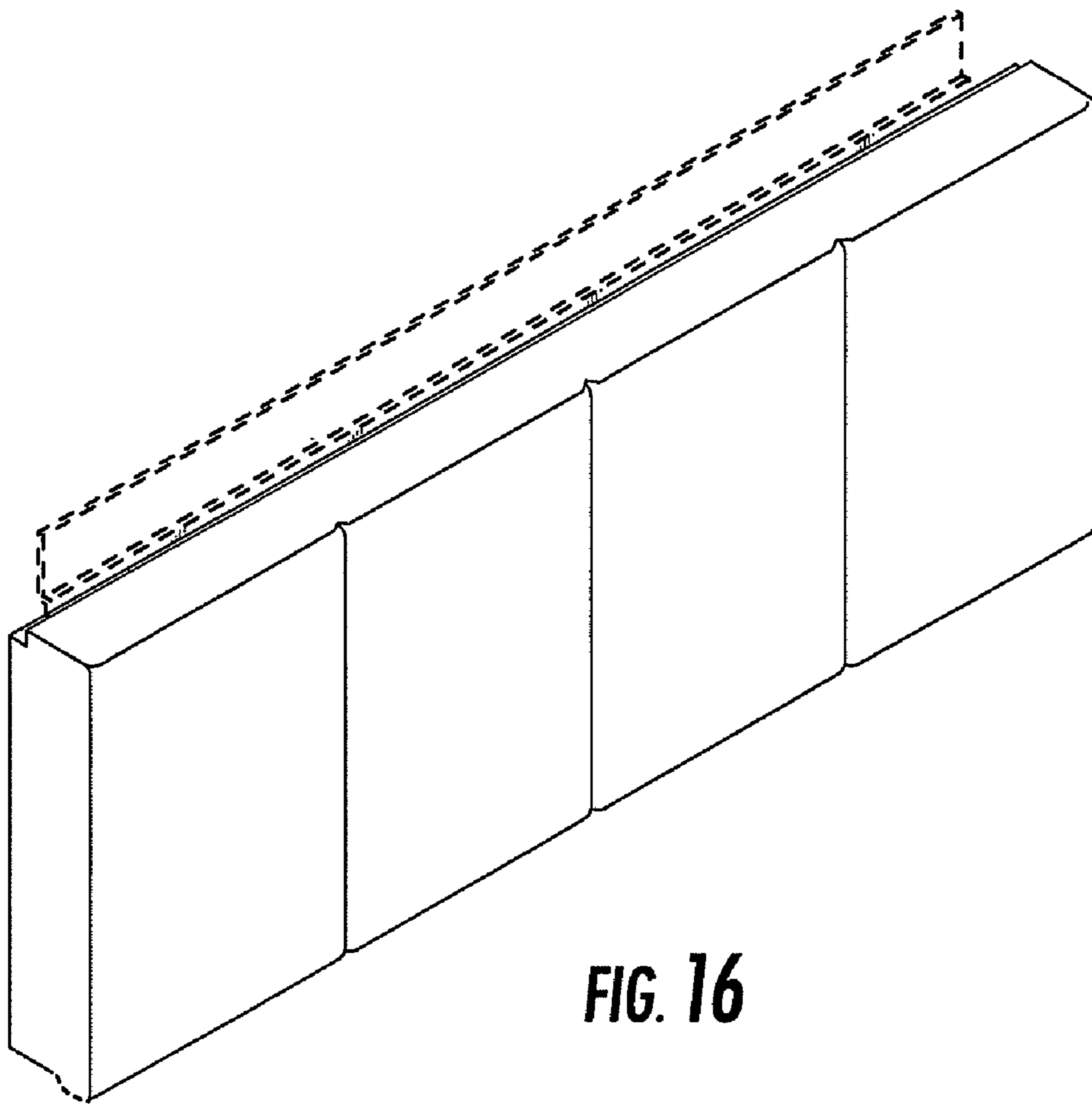


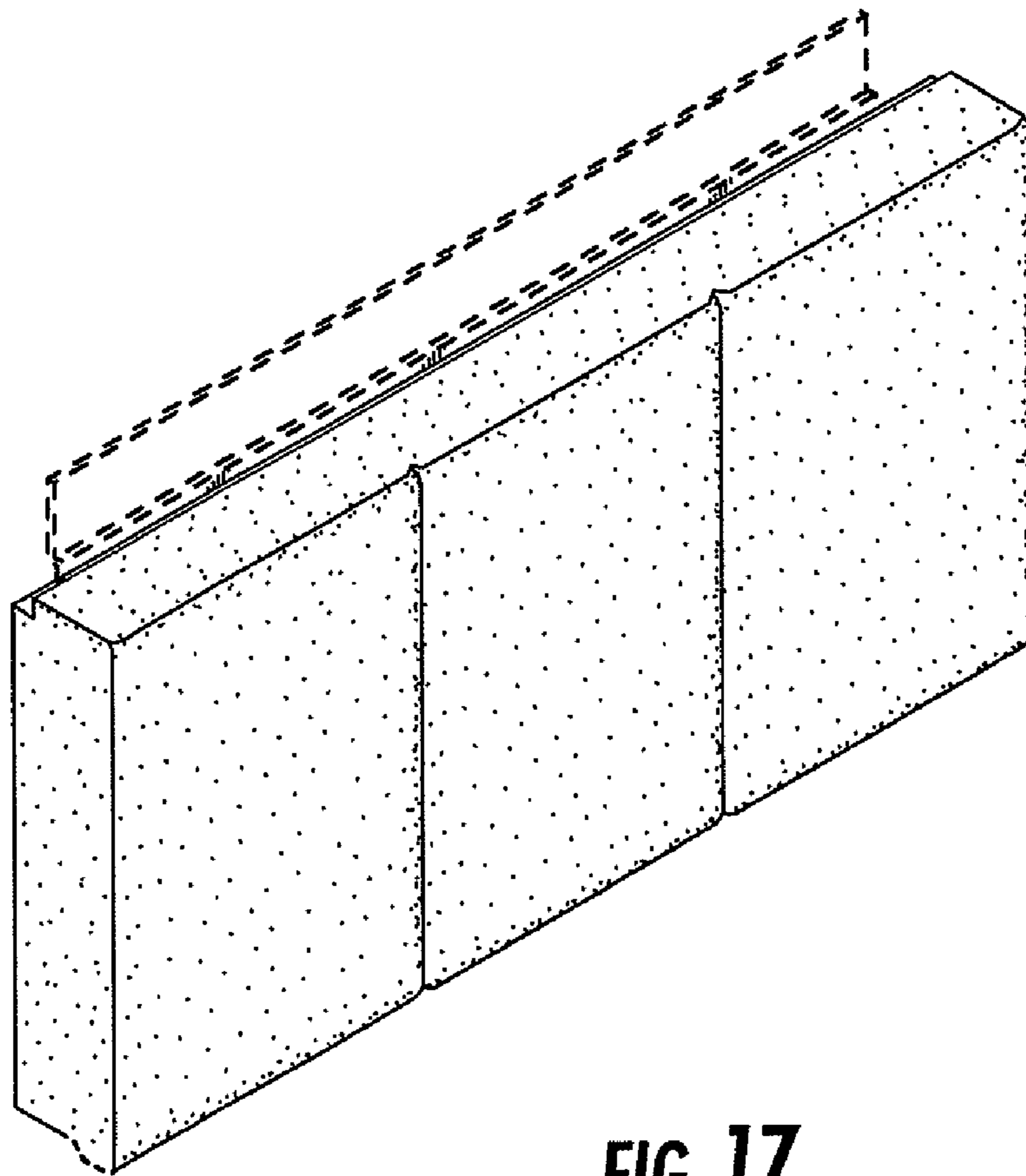
FIG. 14



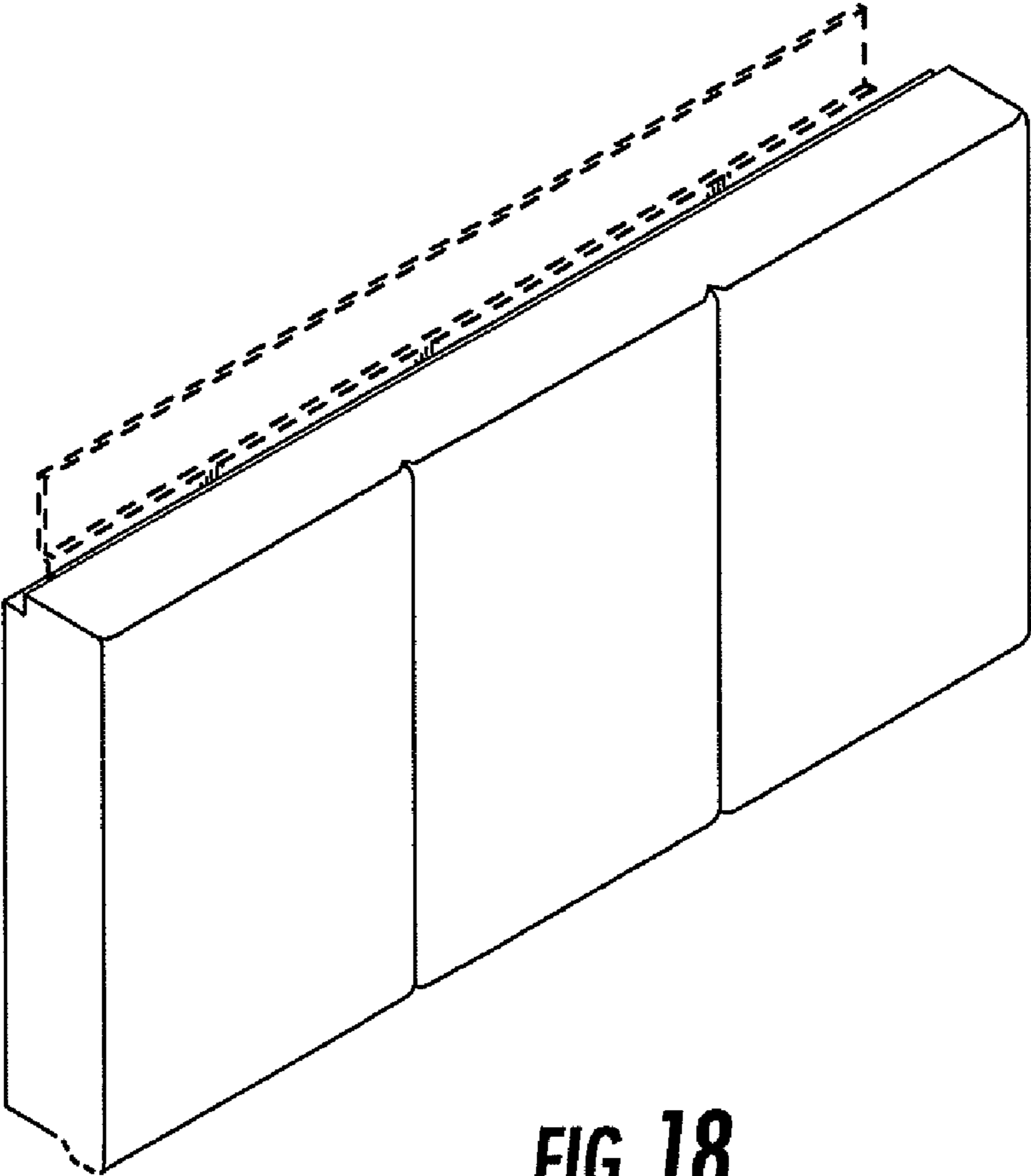
**FIG. 15**



**FIG. 16**



**FIG. 17**



**FIG. 18**