



US00D674917S

(12) **United States Design Patent**  
**Nanayakkara**

(10) **Patent No.:** **US D674,917 S**  
(45) **Date of Patent:** **\*\* Jan. 22, 2013**

(54) **ELONGATE INTER-LOCKING  
CONSTRUCTION BLOCK**

(76) Inventor: **Lakdas Nanayakkara**, Boca Raton, FL  
(US)

(\*\*) Term: **14 Years**

(21) Appl. No.: **29/416,159**

(22) Filed: **Mar. 19, 2012**

**Related U.S. Application Data**

(63) Continuation-in-part of application No. 29/413,306,  
filed on Feb. 14, 2012.

(51) **LOC (9) Cl.** ..... **25-01**

(52) **U.S. Cl.** ..... **D25/113**

(58) **Field of Classification Search** ..... D25/102-118,  
D25/138, 152, 157-162, 164; D21/484-491,  
D21/499-504; 405/16, 284, 286; 52/503-505,  
52/574, 575, 596-612; 404/27-42  
See application file for complete search history.

(56) **References Cited**

**U.S. PATENT DOCUMENTS**

D252,951 S \* 9/1979 Schuring ..... D25/113  
D420,711 S \* 2/2000 Glickman ..... D21/503

D457,971 S \* 5/2002 Schrader et al. .... D25/113  
D468,839 S \* 1/2003 Bland ..... D25/113  
6,578,338 B1 \* 6/2003 Nanayakkara ..... 52/606  
D479,000 S \* 8/2003 van Oort ..... D25/113  
D612,069 S \* 3/2010 Usul et al. .... D25/113  
8,061,095 B2 \* 11/2011 Bucheger ..... 52/604  
2002/0046529 A1 \* 4/2002 Nanayakkara ..... 52/606

\* cited by examiner

*Primary Examiner* — Anhdao Doan

(74) *Attorney, Agent, or Firm* — Melvin K. Silverman

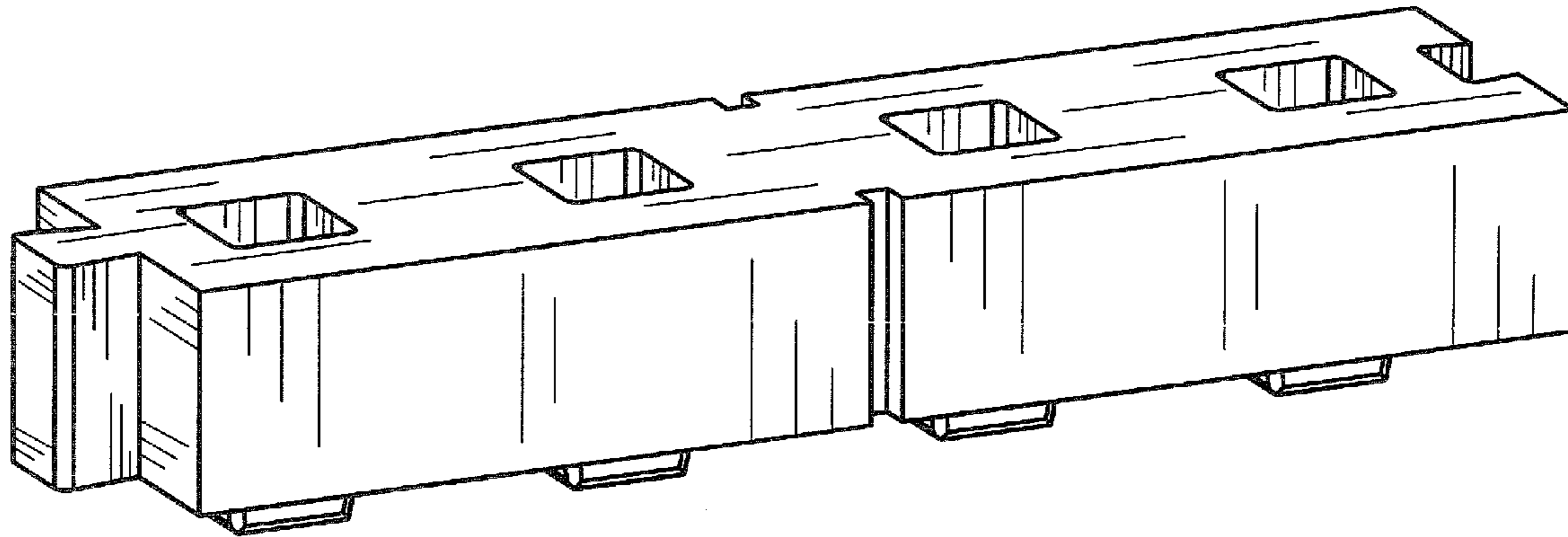
(57) **CLAIM**

The ornamental design for an elongate inter-locking con-  
struction block, as shown and described.

**DESCRIPTION**

FIG. 1 is a top perspective view of an elongate inter-locking  
construction block;  
FIG. 2 is a bottom perspective view thereof;  
FIG. 3 is a top plan view thereof;  
FIG. 4 is a front elevational view thereof;  
FIG. 5 is a left side elevational view thereof; and,  
FIG. 6 is a right side elevational view thereof.

**1 Claim, 4 Drawing Sheets**



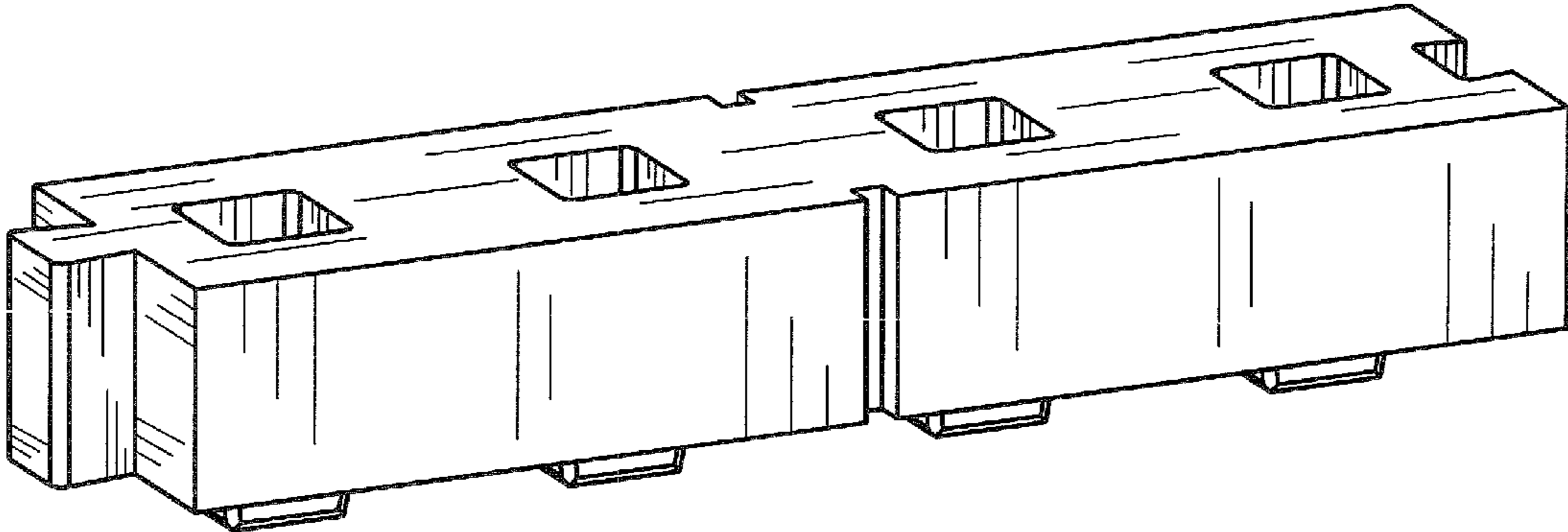


FIG. 1

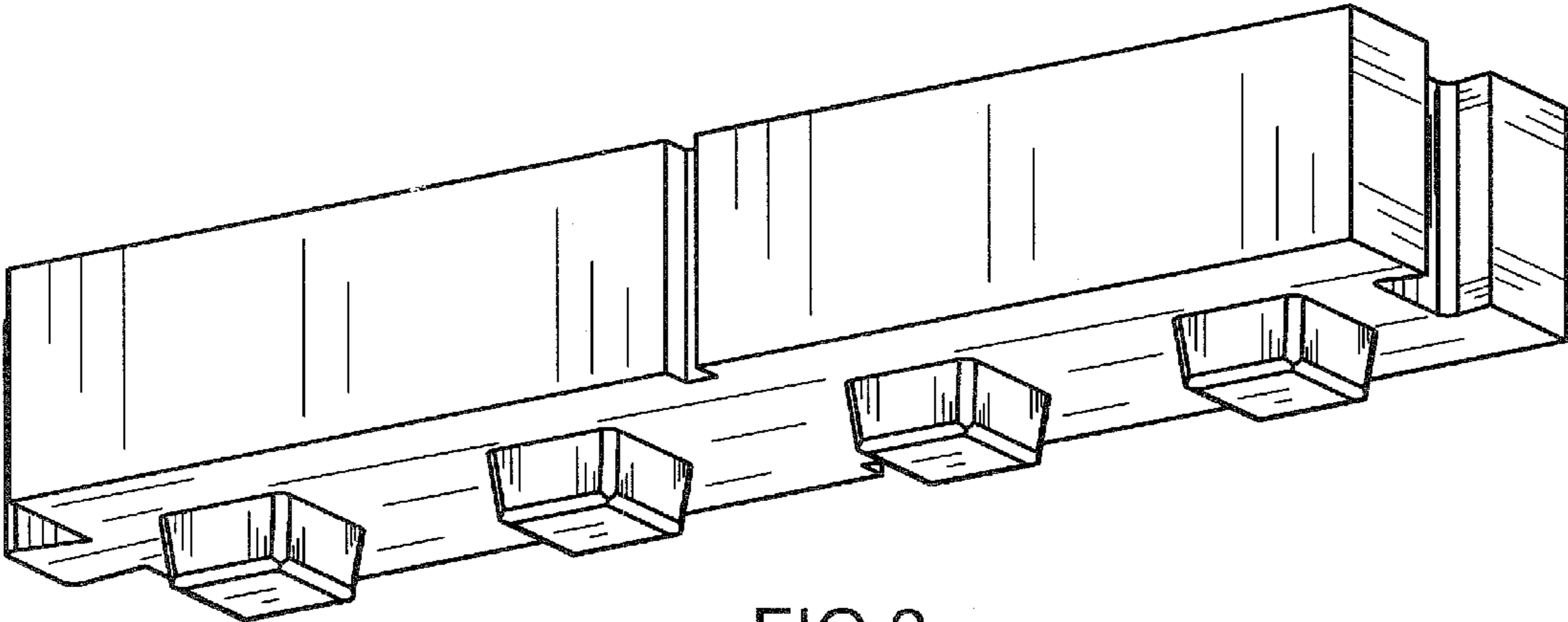


FIG. 2

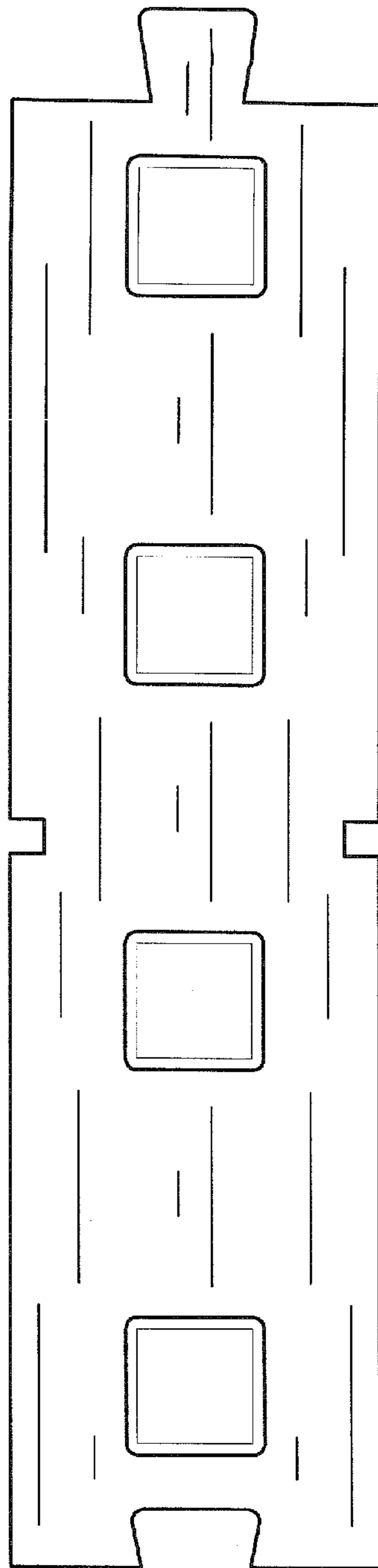


FIG.3

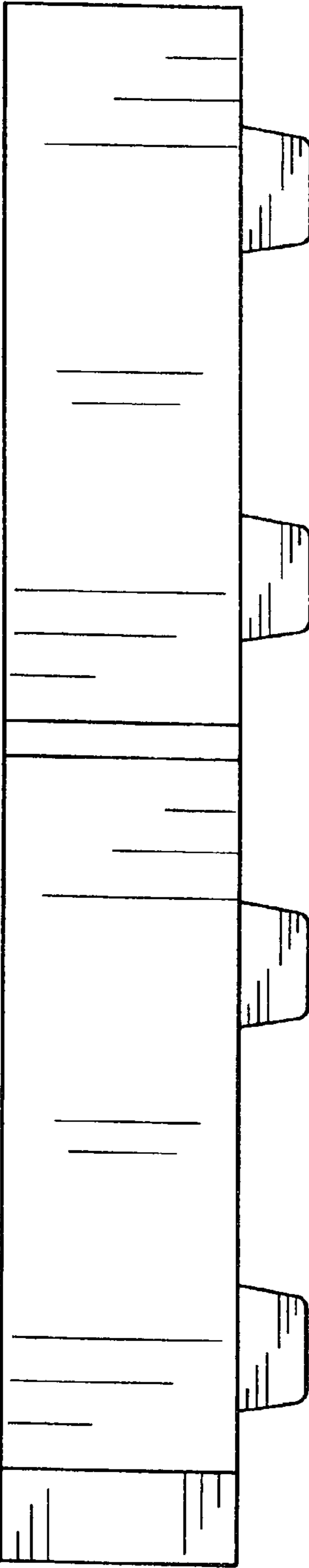


FIG.4

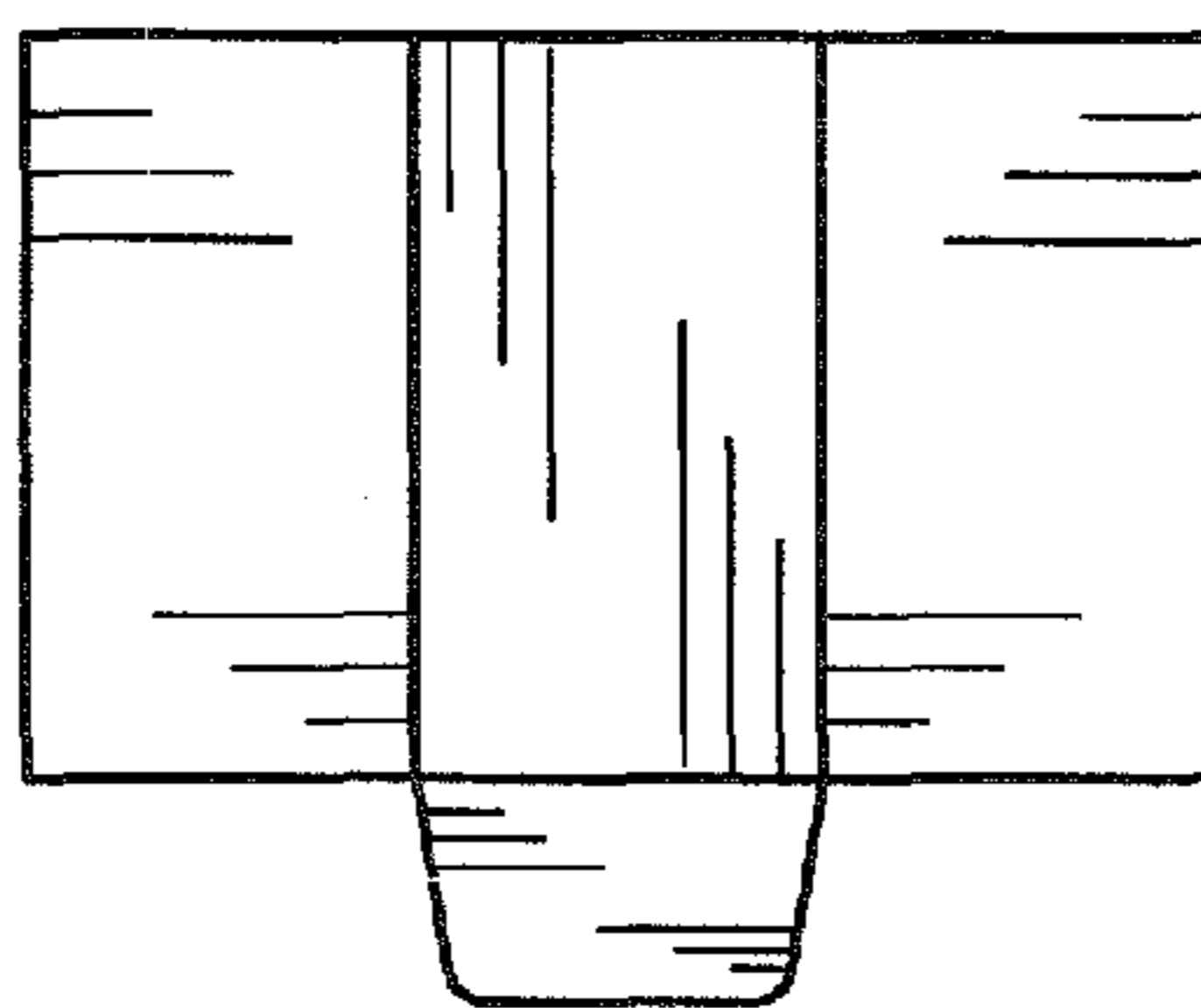


FIG. 5

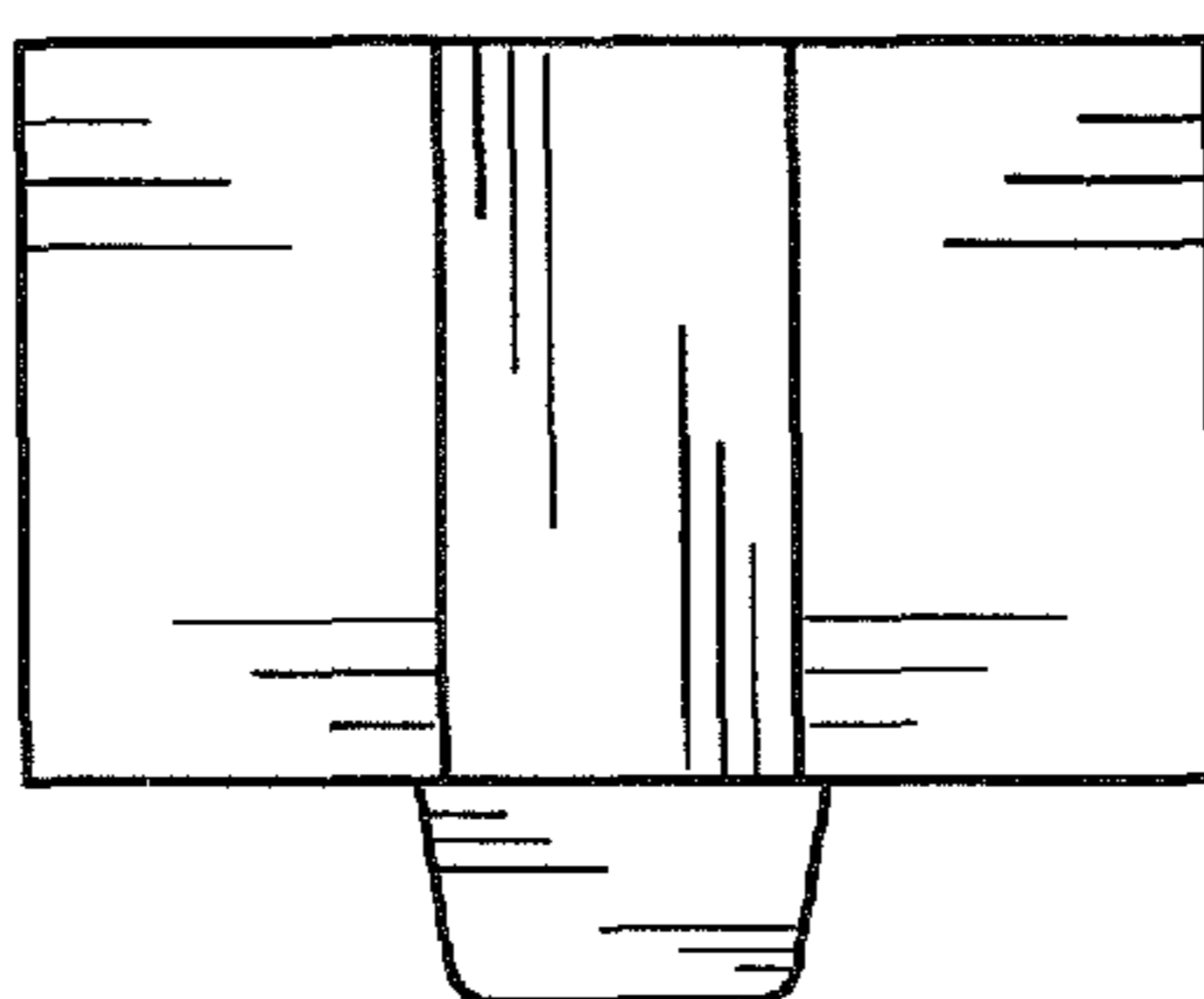


FIG. 6