



US00D674915S

(12) **United States Design Patent**
Svirsky

(10) **Patent No.:** **US D674,915 S**

(45) **Date of Patent:** **** Jan. 22, 2013**

(54) **DOOR OR WINDOW AWNING**

Primary Examiner — Doris Clark

(76) Inventor: **Alexander Svirsky**, Aurora, CO (US)

(74) *Attorney, Agent, or Firm* — Alexander R. Svirsky

(**) Term: **14 Years**

(57) **CLAIM**

The ornamental design for a window or door awning, as shown.

(21) Appl. No.: **29/402,736**

(22) Filed: **Sep. 27, 2011**

DESCRIPTION

(51) **LOC (9) Cl.** **25-02**

(52) **U.S. Cl.** **D25/57**

(58) **Field of Classification Search** D25/57;
160/22, 45, 50, 58.1; 49/71

See application file for complete search history.

FIG. 1 is a perspective top and right view of a door or window awning showing my new design;

FIG. 2 is a front view thereof;

FIG. 3 is a rear and bottom view thereof;

FIG. 4 is perspective top and right view of a second embodiment thereof;

FIG. 5 is a front view of a second embodiment thereof; and, FIG. 6 is a rear and bottom view of a second embodiment thereof.

The left side view of the awning is a mirror image of the right side.

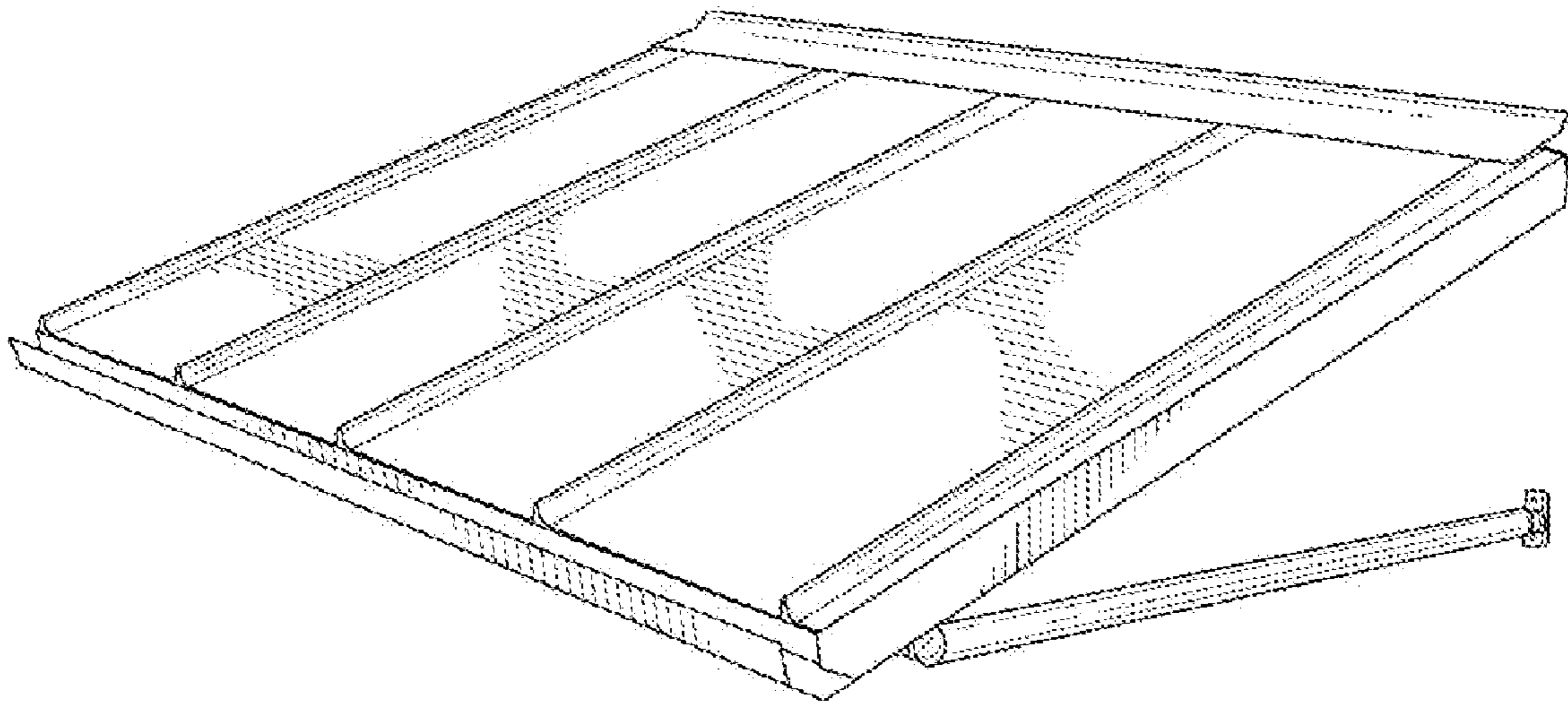
(56) **References Cited**

U.S. PATENT DOCUMENTS

2,795,826	A *	6/1957	Turteltaub	52/74
D194,499	S *	2/1963	Trombley	D25/57
3,092,171	A *	6/1963	Deddo	160/40
6,421,966	B1 *	7/2002	Braunstein et al.	52/173.3

* cited by examiner

1 Claim, 3 Drawing Sheets



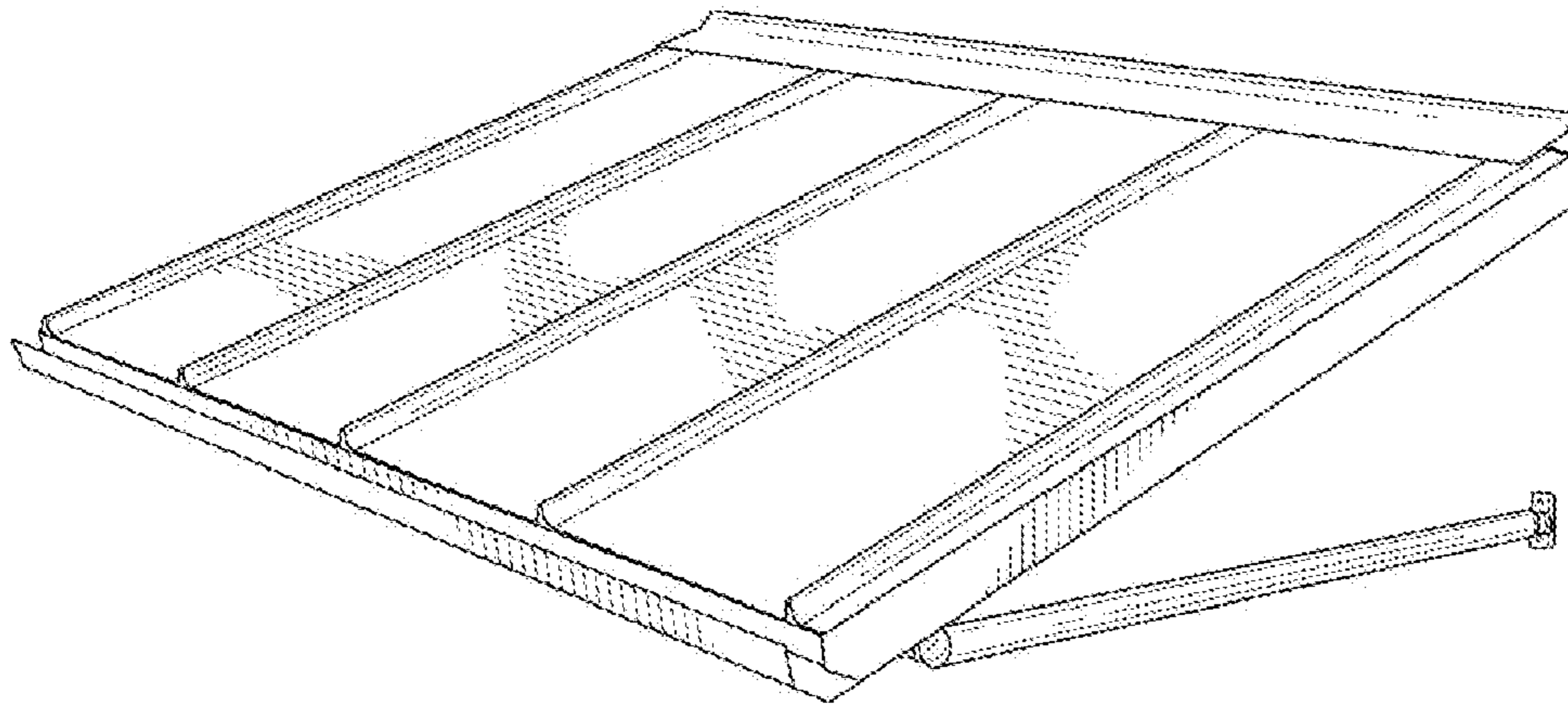


FIG. 1

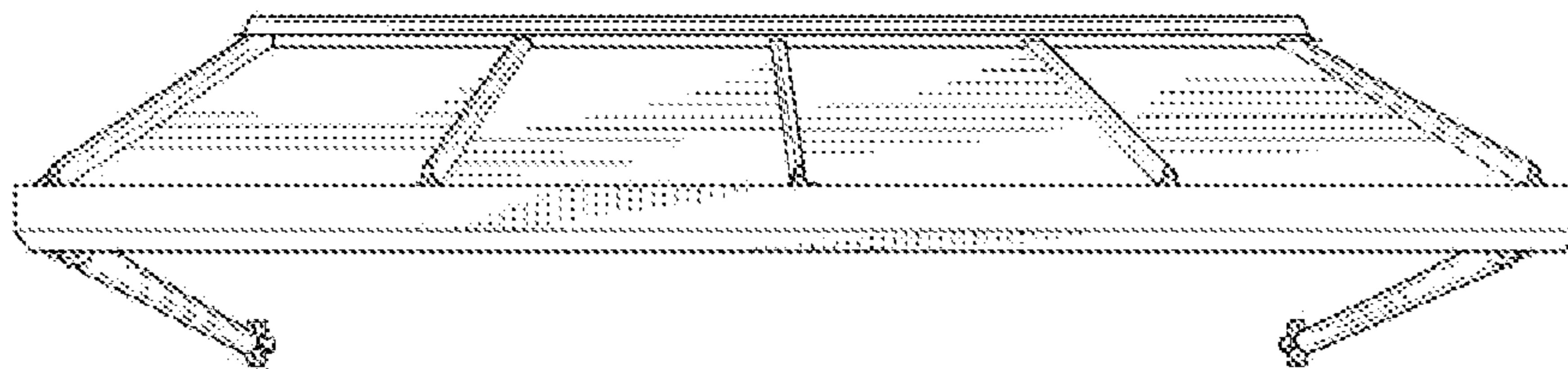


FIG. 2

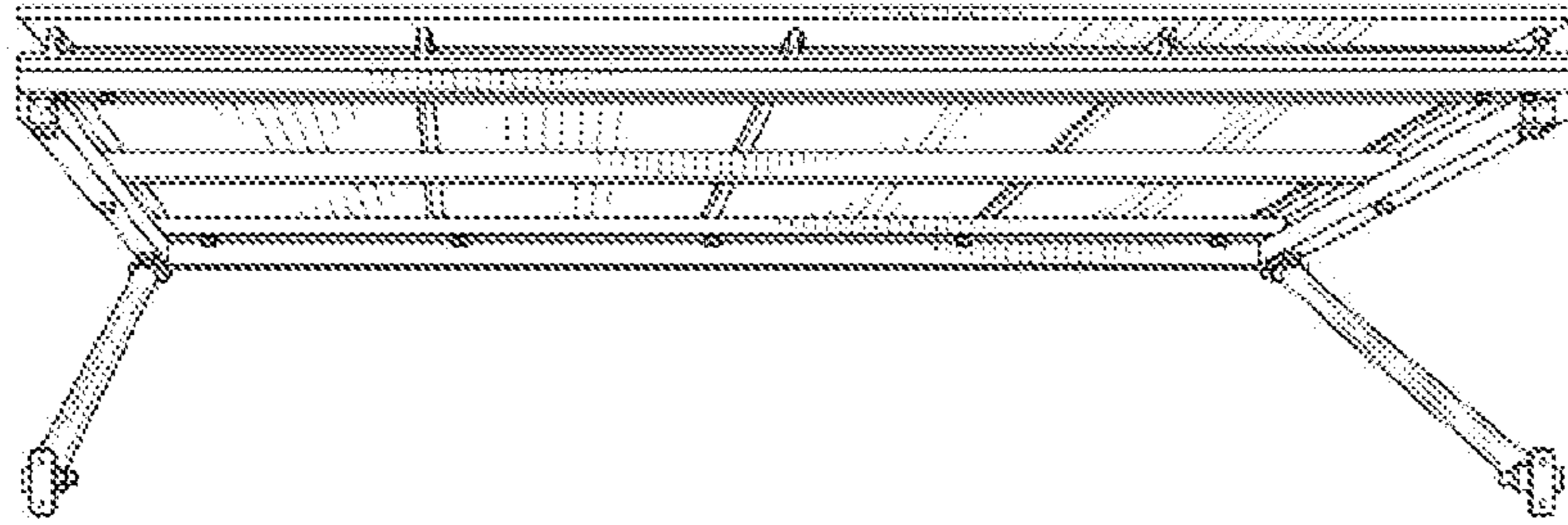


FIG. 3

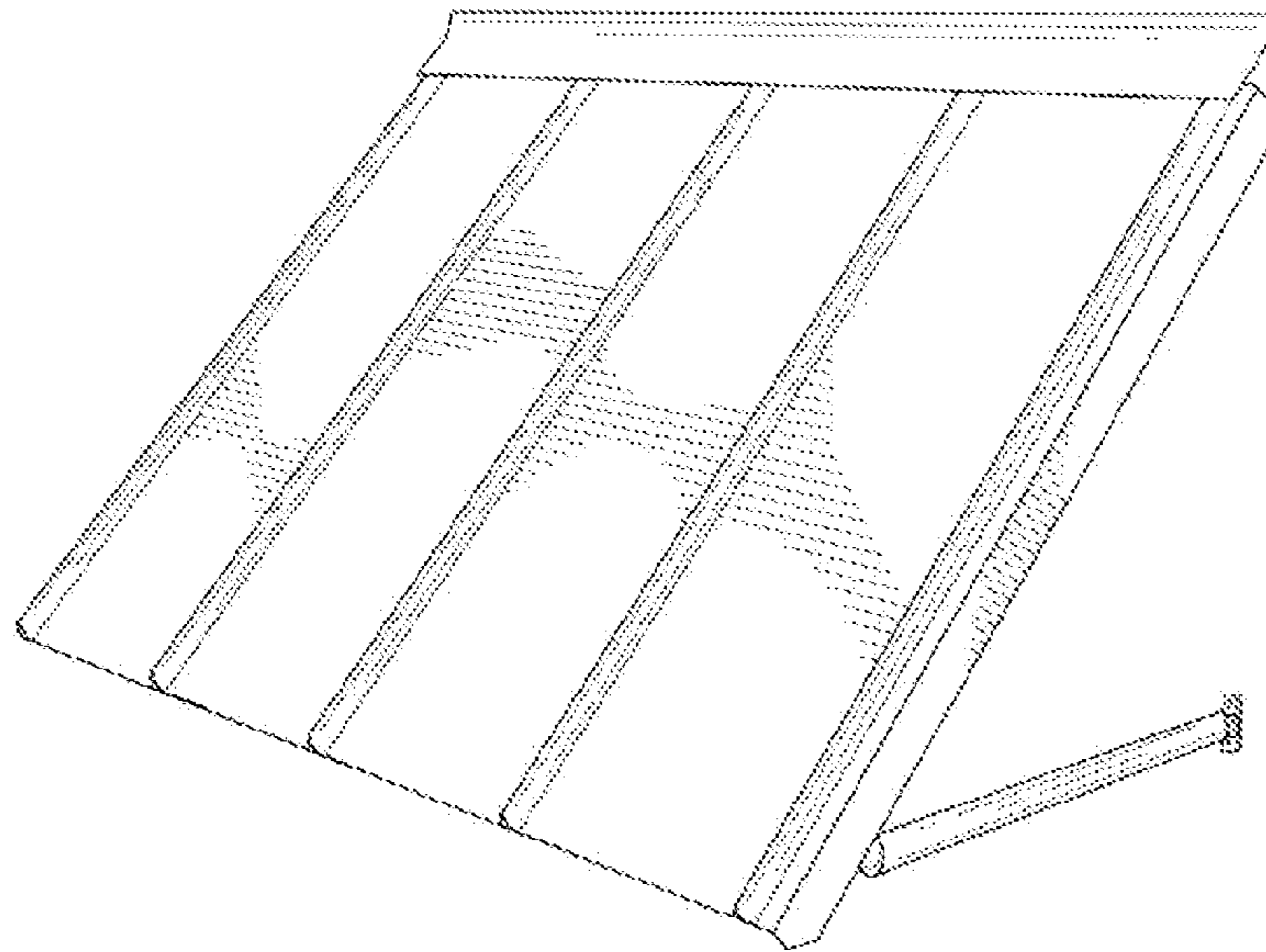


FIG. 4

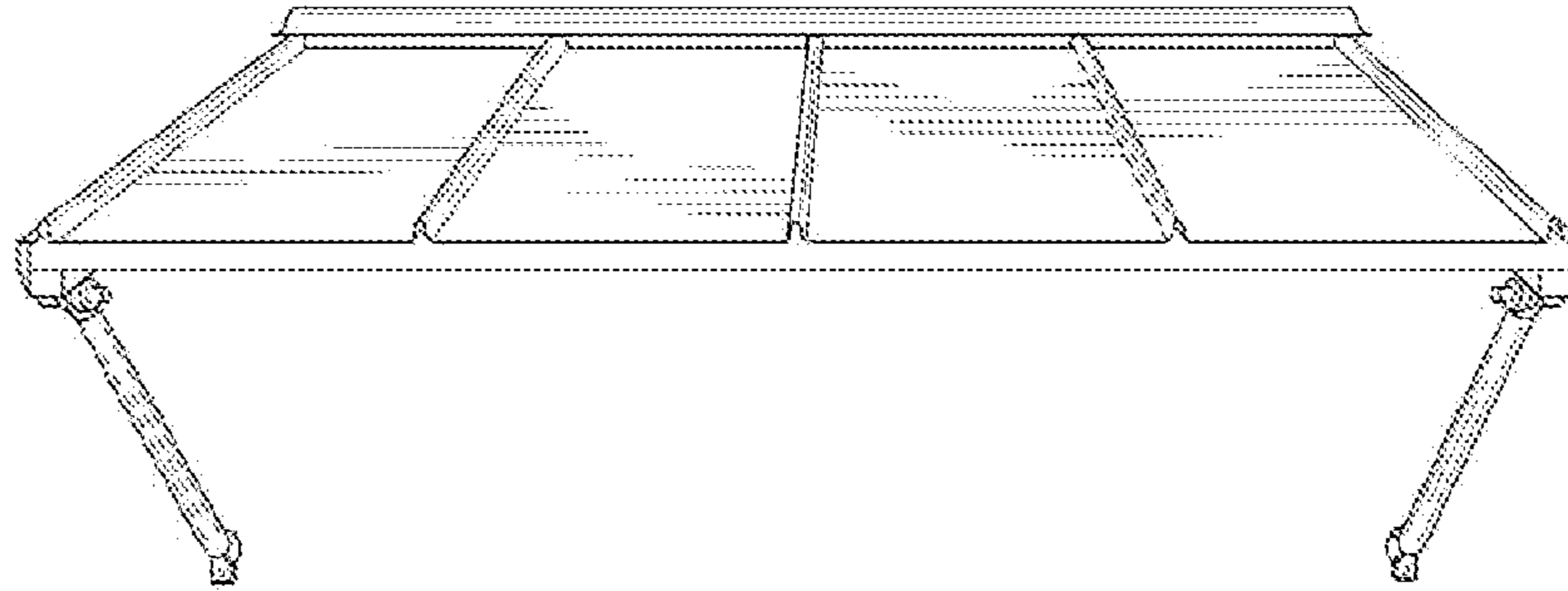


FIG. 5

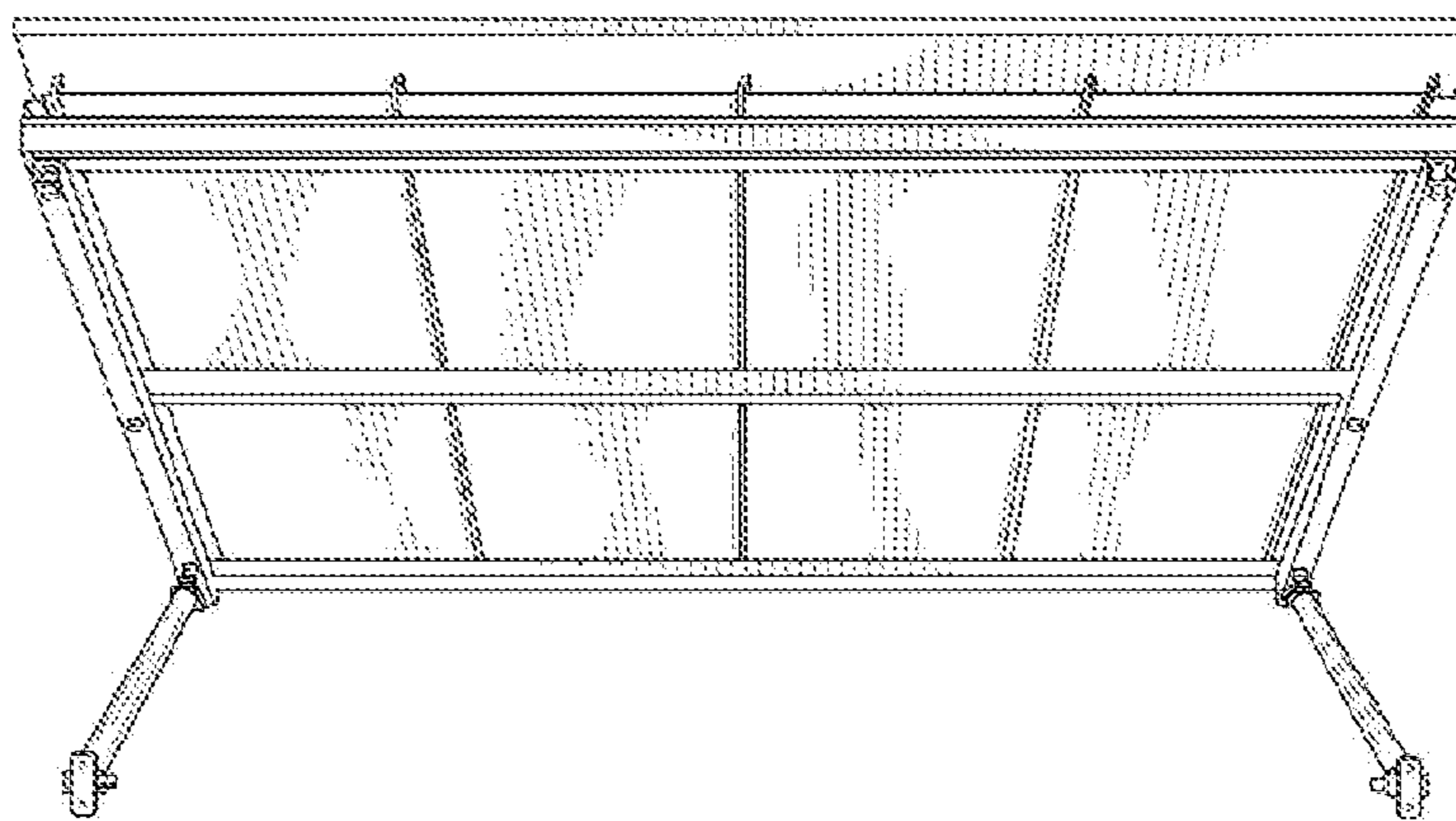


FIG. 6