



US00D674914S

(12) **United States Design Patent**
Hernandez et al.

(10) **Patent No.:** **US D674,914 S**
(45) **Date of Patent:** **** Jan. 22, 2013**

(54) **BAR CABINET FOR PARKING**

(75) Inventors: **Arturo Echanove Hernandez**, Mexico
City (MX); **Hector Eduardo Muñoz**
Regalado, Mexico City (MX)

(73) Assignee: **Arturo Echanove Hernandez** (MX)

(**) Term: **14 Years**

(21) Appl. No.: **29/404,359**

(22) Filed: **Oct. 19, 2011**

(30) **Foreign Application Priority Data**

Apr. 19, 2011 (MX) MX/f/2011/001215

(51) **LOC (9) Cl.** **25-02**

(52) **U.S. Cl.** **D25/48.5**

(58) **Field of Classification Search** D25/48.6,
D25/48.5; 49/13, 14, 47, 49

See application file for complete search history.

(56) **References Cited**

U.S. PATENT DOCUMENTS

4,811,516	A *	3/1989	Anderson	49/49
D330,684	S	11/1992	Joseph		
D340,290	S *	10/1993	Rossiter	D25/48.5
6,179,517	B1 *	1/2001	Nelson	404/6
7,062,879	B2 *	6/2006	Wenzl et al.	49/49
D539,921	S *	4/2007	Williman	D25/48.5
7,845,115	B2 *	12/2010	Ponert et al.	49/47

* cited by examiner

Primary Examiner — Doris Clark

(74) *Attorney, Agent, or Firm* — Brooks Kushman P.C.

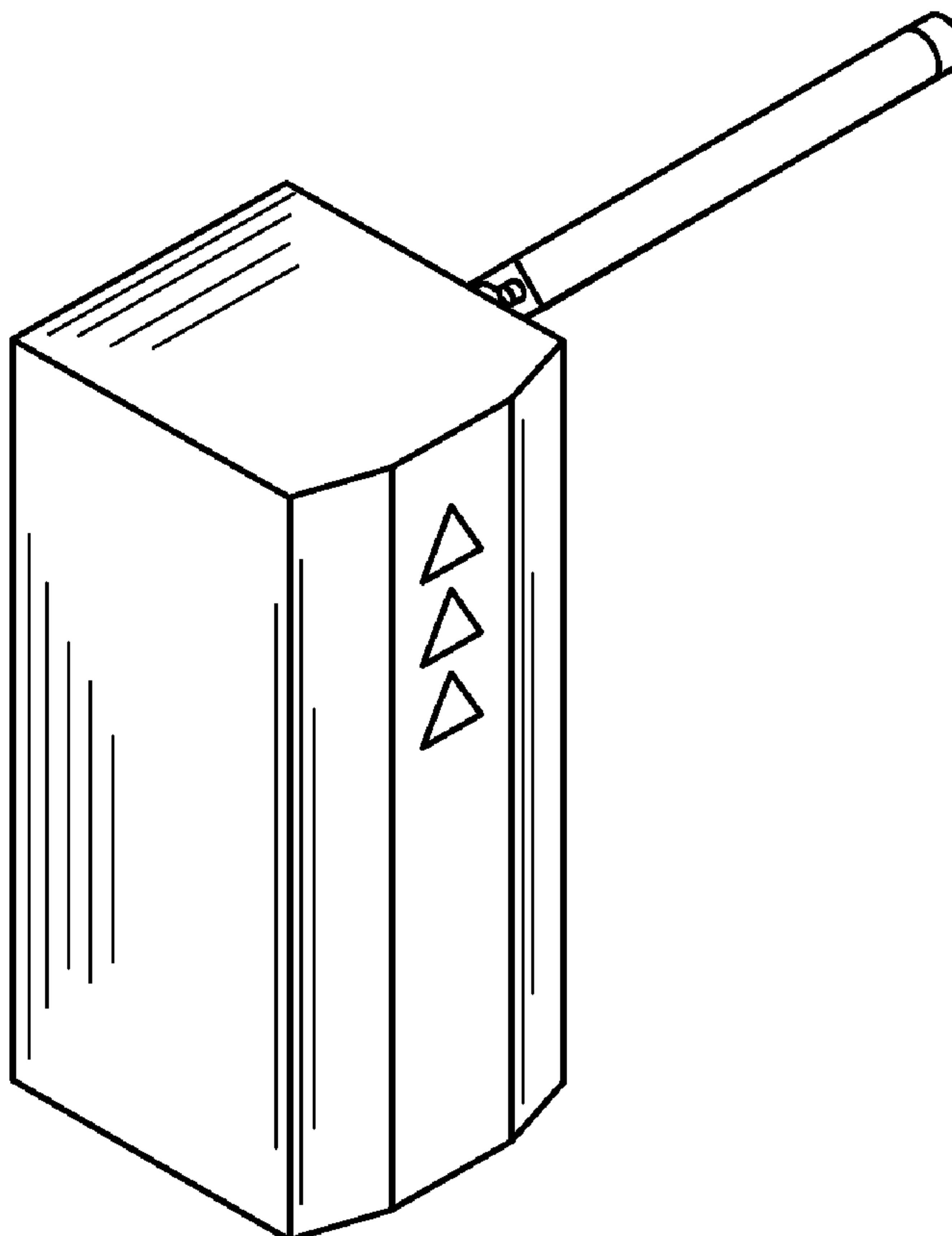
(57) **CLAIM**

The ornamental design for a bar cabinet for parking, as shown and described.

DESCRIPTION

FIG. 1 is a left side perspective view of the model;
FIG. 2 is a front side elevational view of the model of FIG. 1;
FIG. 3 is a left side elevational view of the model of FIG. 1;
FIG. 4 is a right side elevational view of the model of FIG. 1;
FIG. 5 is a rear side perspective view of the model of FIG. 1;
and,
FIG. 6 is an top plan view of the model of FIG. 1.

1 Claim, 2 Drawing Sheets



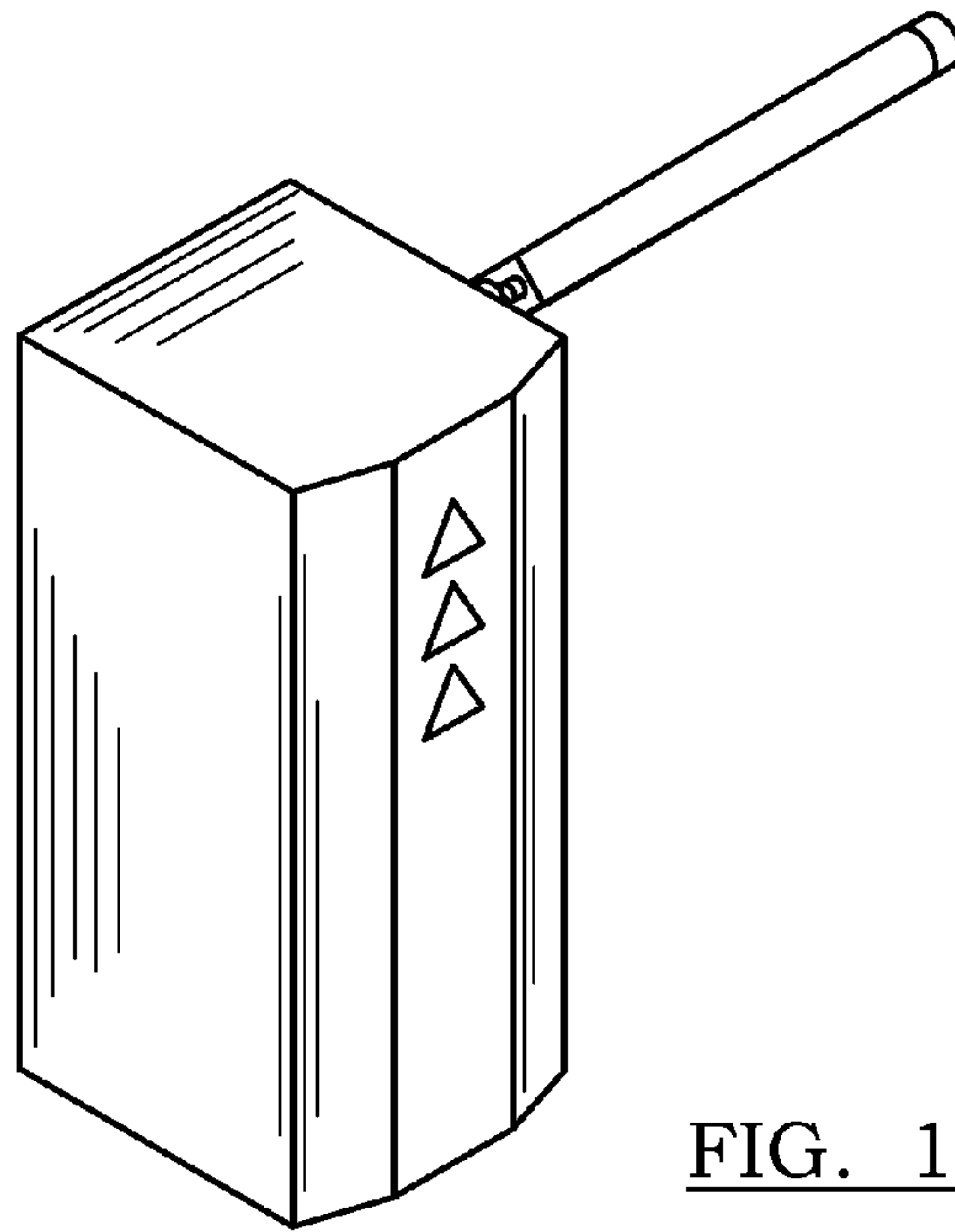


FIG. 1

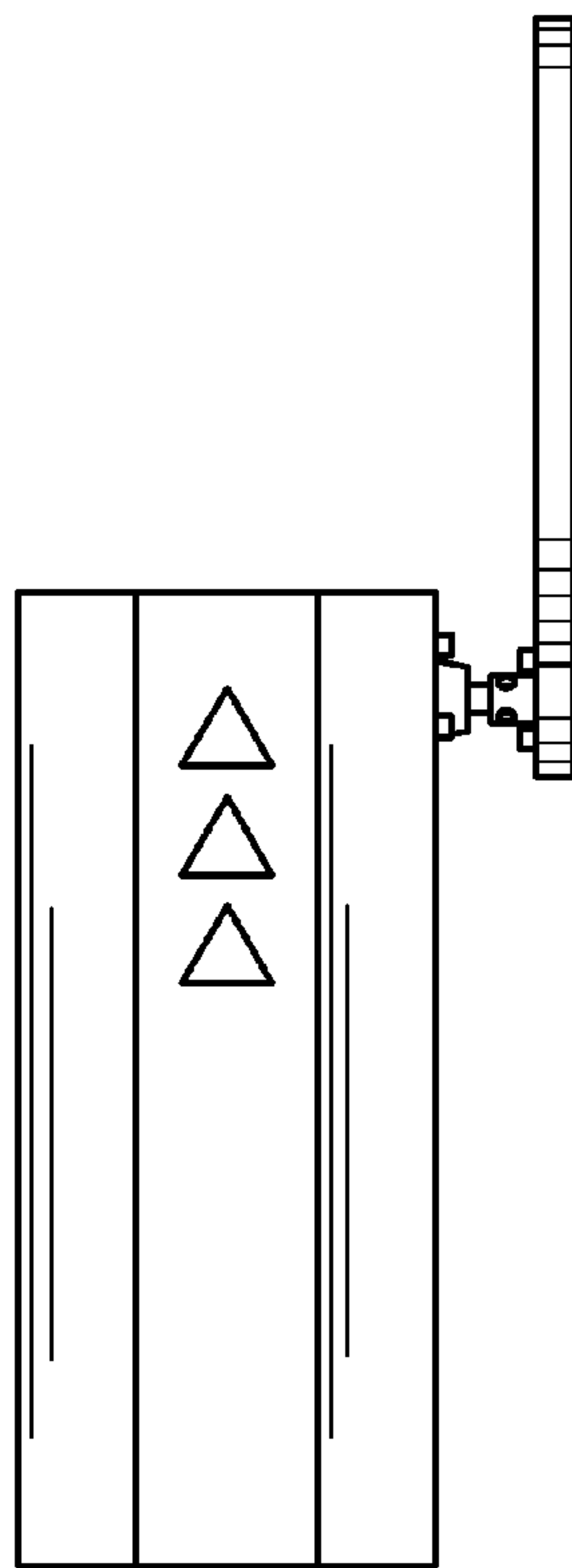


FIG. 2

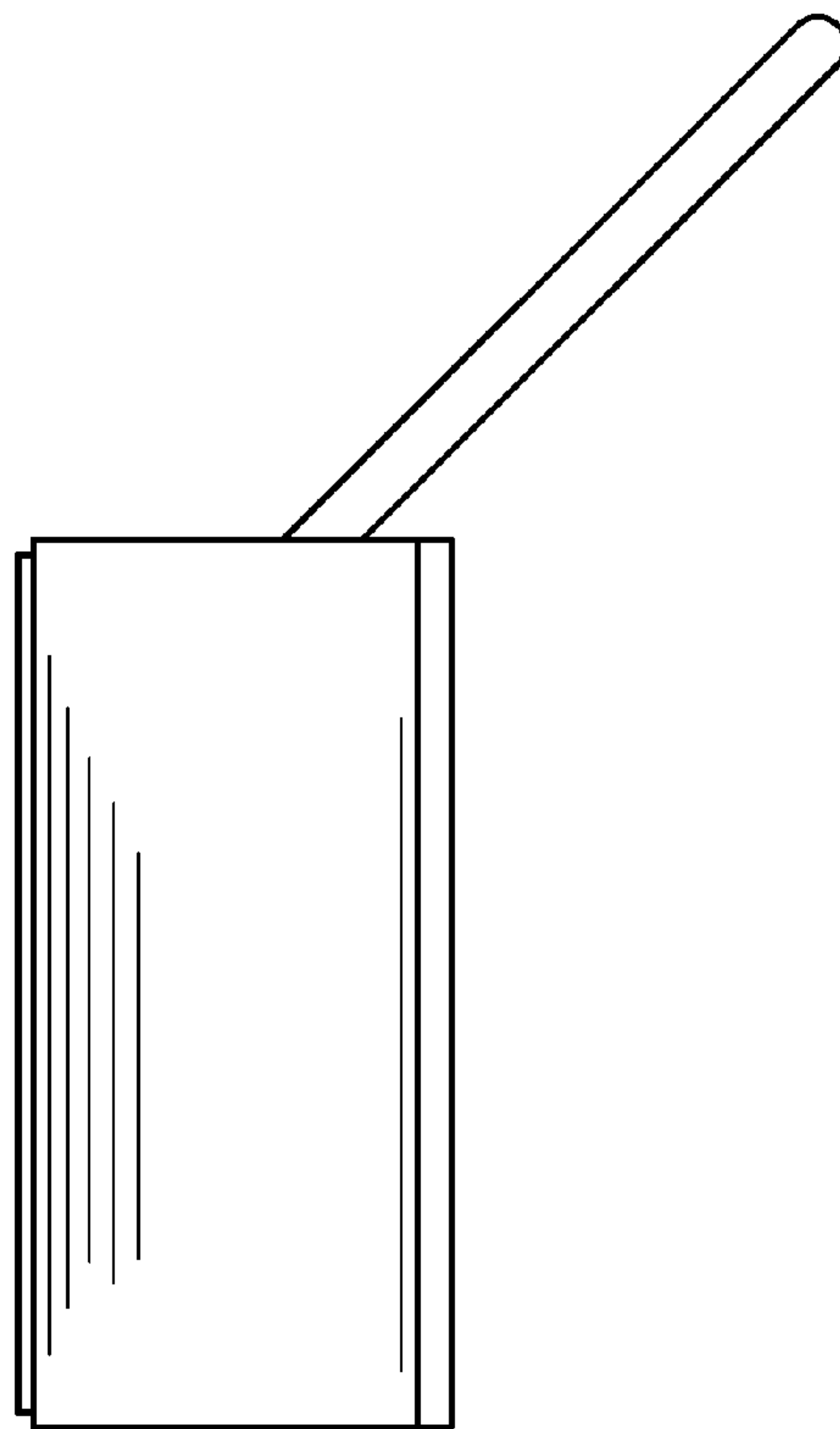


FIG. 3

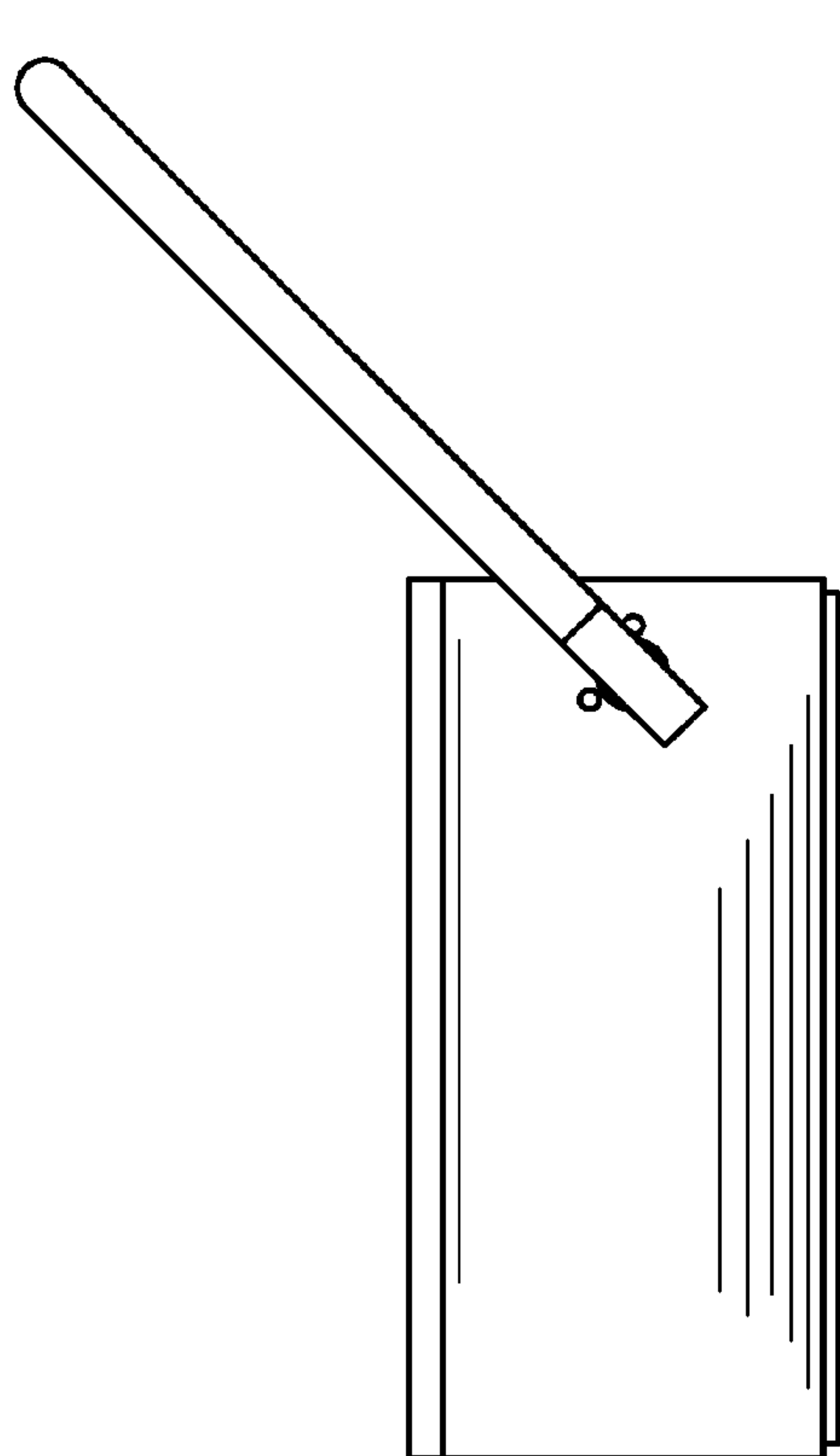


FIG. 4

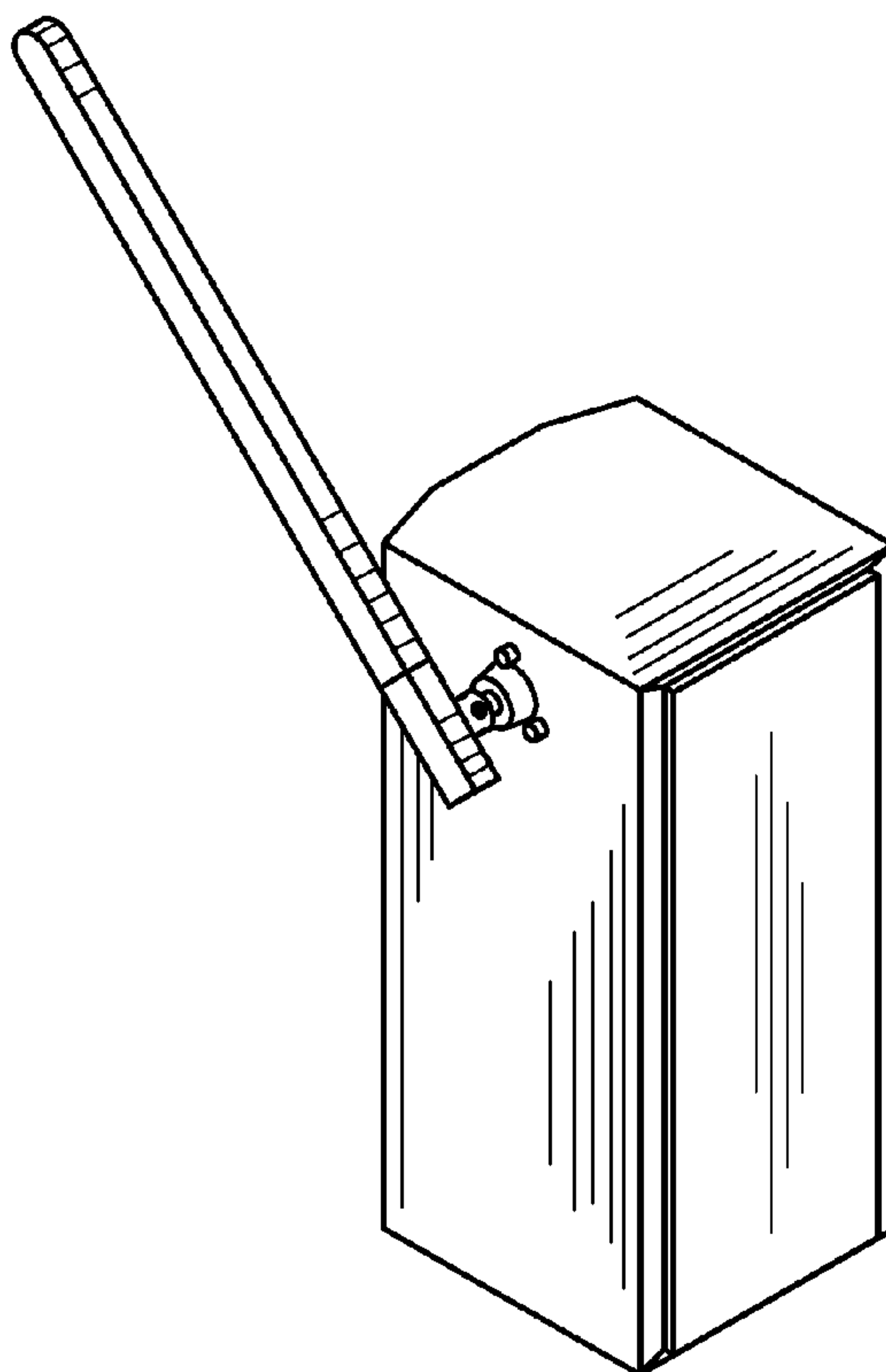


FIG. 5

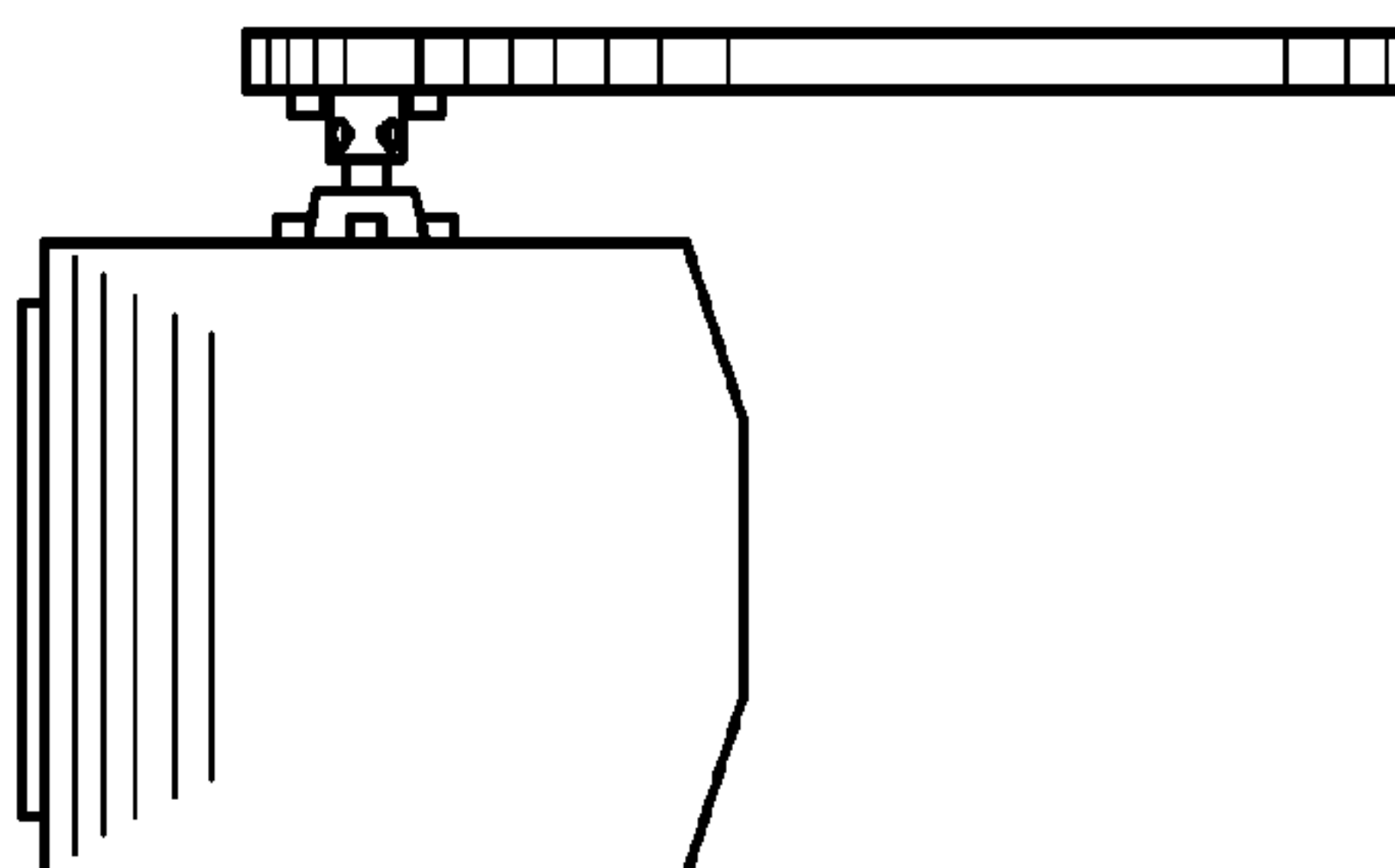


FIG. 6