



US00D674905S

(12) **United States Design Patent**
Lowsky

(10) **Patent No.:** **US D674,905 S**
(45) **Date of Patent:** **** Jan. 22, 2013**

(54) **ORAL-MOTOR THERAPY DEVICE**

(75) Inventor: **Evan D. Lowsky**, Columbia, SC (US)

(73) Assignee: **ARK Therapeutic Services, Inc.**,
Lugoff, SC (US)

(**) Term: **14 Years**

(21) Appl. No.: **29/390,847**

(22) Filed: **Apr. 29, 2011**

(51) **LOC (9) Cl.** **24-02**

(52) **U.S. Cl.** **D24/211; D24/152**

(58) **Field of Classification Search** D24/146,
D24/152-154, 200, 211, 214, 215; D8/61;
433/126, 80, 82, 88, 132, 190; D4/117, 120;
15/105, 110, 188; 132/309, 313; 601/80
See application file for complete search history.

(56) **References Cited**

U.S. PATENT DOCUMENTS

1,817,585	A *	8/1931	Samuel	15/188
1,993,662	A *	3/1935	Green	15/110
2,044,863	A *	6/1936	Sticht	601/80
3,476,105	A *	11/1969	Abramowitz	601/162
D293,472	S *	12/1987	Chrones et al.	D24/211
4,768,531	A *	9/1988	Broussard	132/313
D332,177	S *	1/1993	Linzey	D4/104
D339,198	S *	9/1993	Mochida	D24/214
5,438,726	A *	8/1995	Leite	15/105
RE36,407	E *	11/1999	Rocco	15/110
D423,787	S *	5/2000	Musciano	D4/108
D434,566	S *	12/2000	Mann	D4/117

D510,440	S *	10/2005	Huang	D24/211
D524,056	S *	7/2006	Tapp	D4/120
D542,541	S	5/2007	Lowsky, Jr.		
8,025,068	B2 *	9/2011	Culver	132/309
2006/0236483	A1 *	10/2006	Koi	15/167.1
2007/0161931	A1 *	7/2007	Kunita et al.	601/142
2012/0055497	A1 *	3/2012	Hurwitz	132/200
2012/0167319	A1 *	7/2012	Quigley et al.	15/110

* cited by examiner

Primary Examiner — Ian Simmons

Assistant Examiner — Charles Hanson

(74) *Attorney, Agent, or Firm* — Nelson Mullins Riley & Scarborough LLP

(57) **CLAIM**

The ornamental design for an oral-motor therapy device, as shown and described.

DESCRIPTION

FIG. 1 is a front perspective view of a new, original, and ornamental design of an oral-motor therapy device in accordance with an embodiment of the present invention;

FIG. 2 is a front elevation view thereof;

FIG. 3 is a rear elevation view thereof;

FIG. 4 is a left side elevation view thereof;

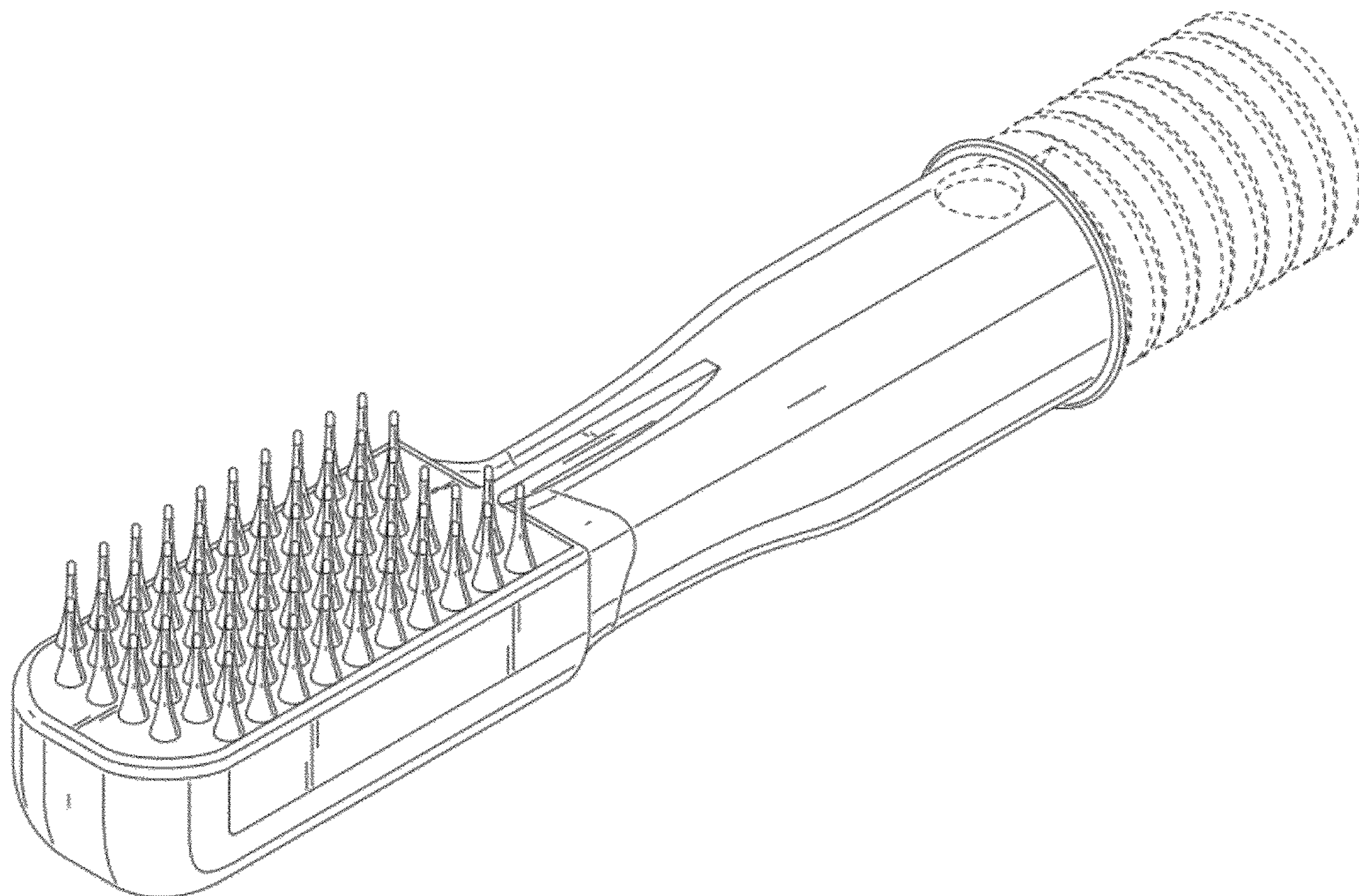
FIG. 5 is a right side elevation view thereof;

FIG. 6 is a top plan view thereof; and,

FIG. 7 is a bottom plan view thereof.

The broken lines shown in the accompanying drawings are for illustrative purposes only and form no part of the claimed design.

1 Claim, 6 Drawing Sheets



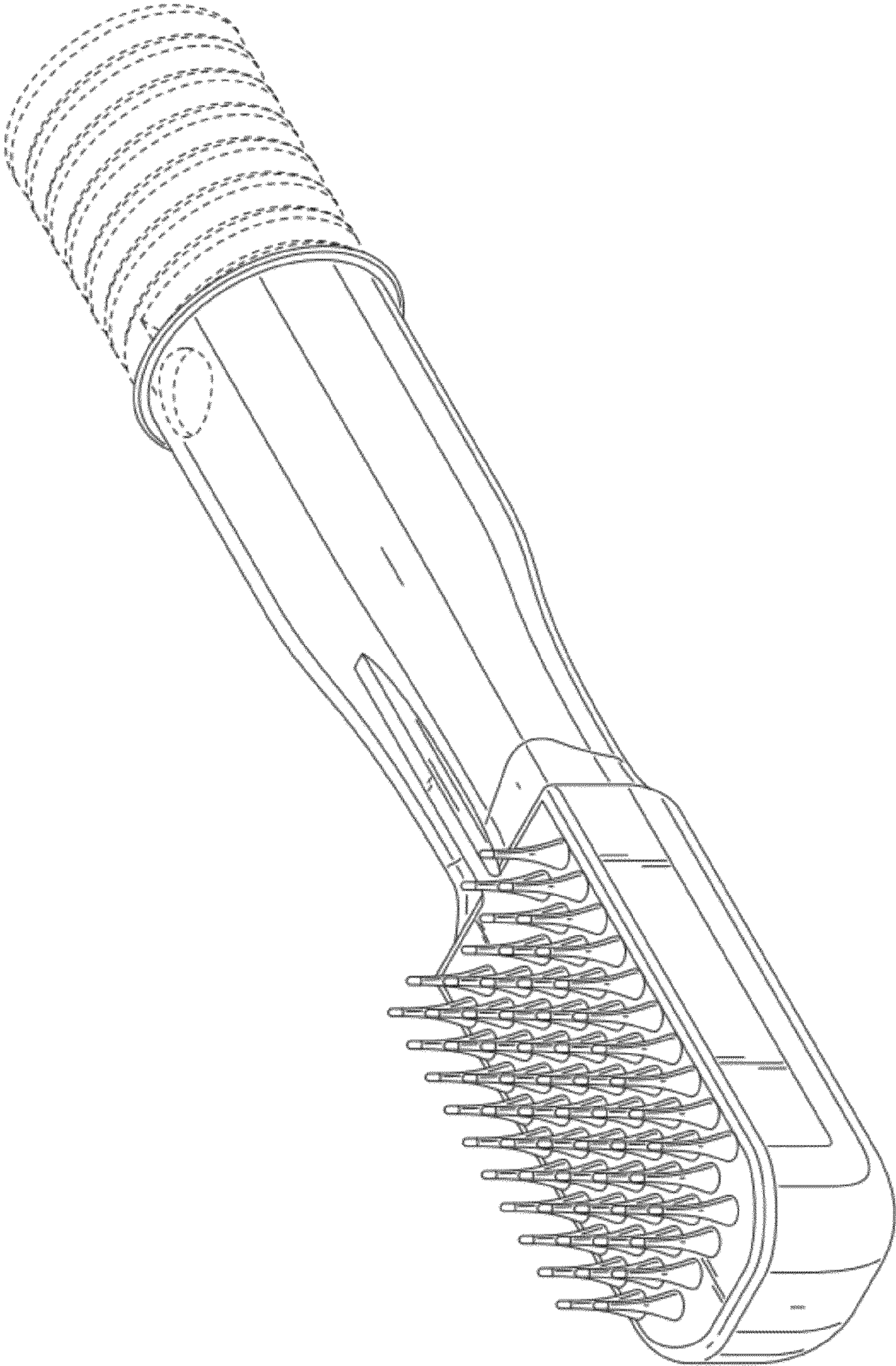


FIG. 1

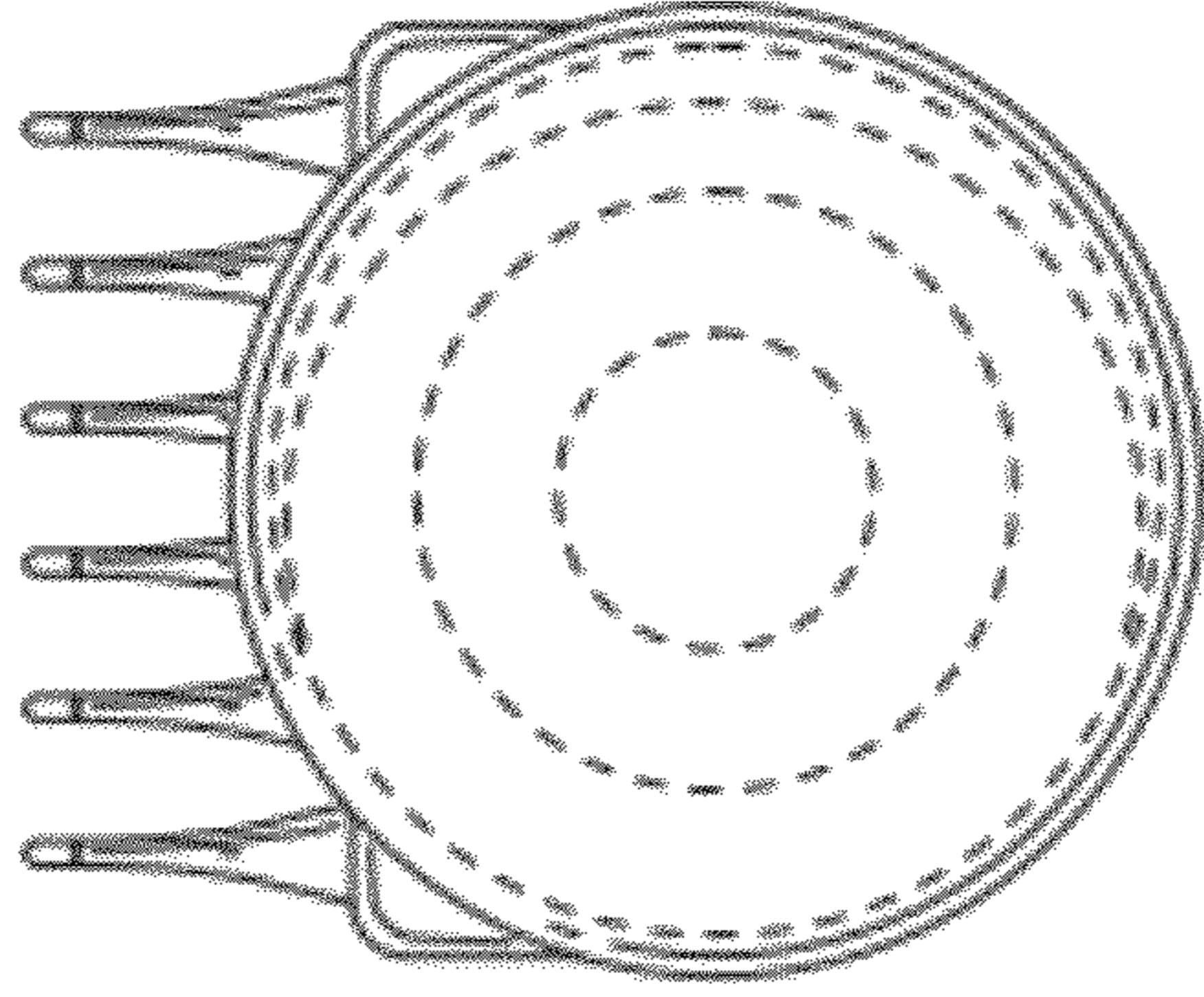


FIG. 3

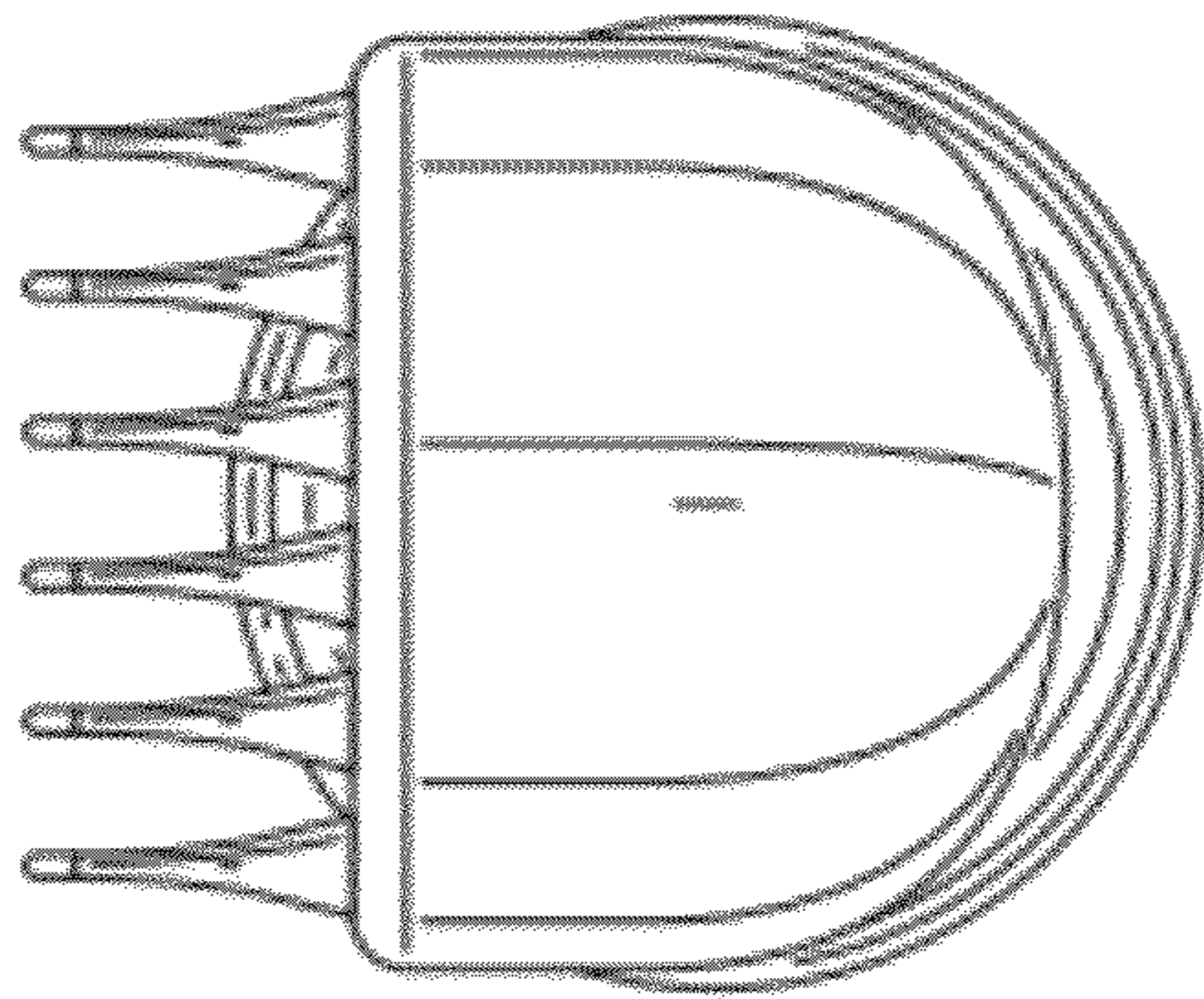


FIG. 2



FIG. 4

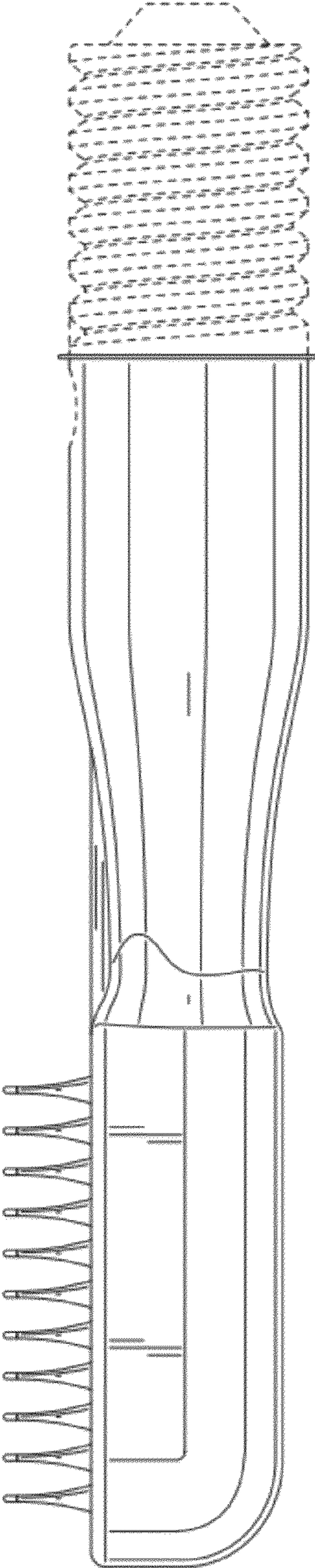


FIG. 5

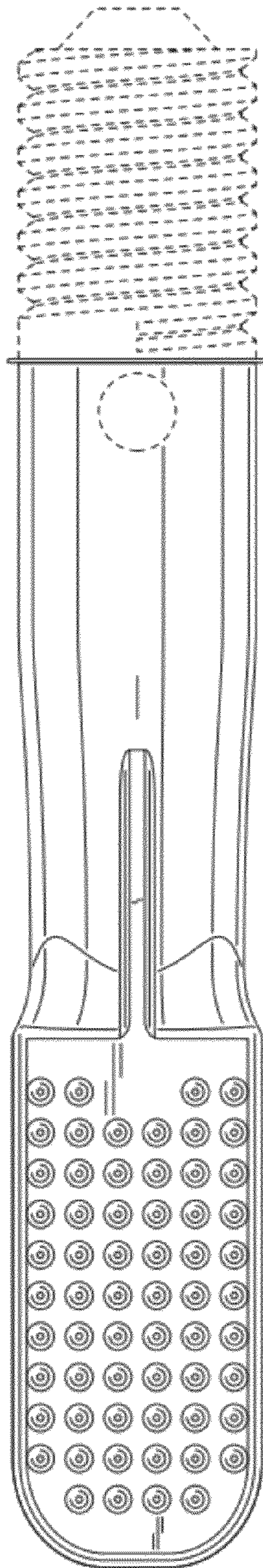


FIG. 6

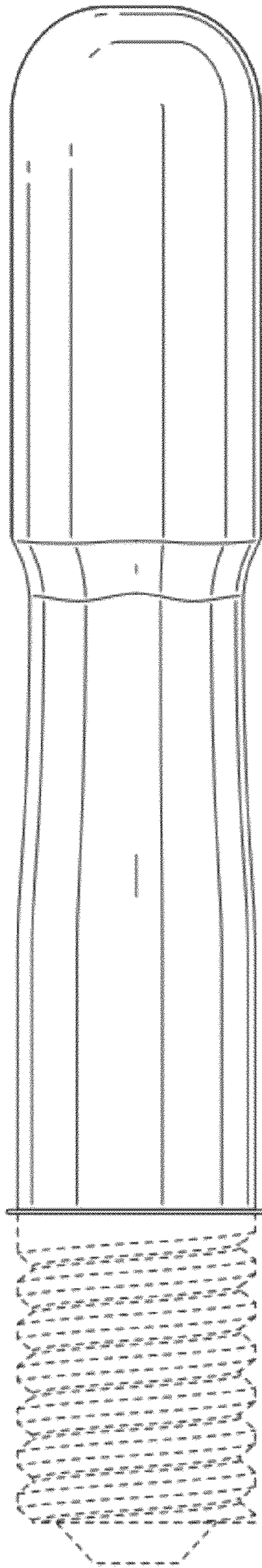


FIG. 7